

WATER PROBE

*PROBE WIRES RUN DOWN OPPOSITE SIDE FRAME RAIL AS OTHER WATER PAN WIRES

RENAU CONTROL
HUMIDITY
LOOKING AT REAR

RENAU CONTROL
AIR TEMP
LOOKING AT REAR

TRANSFORMER

WIRE COLORS: TRIAD/HAMMOND

TRANSFORMER WIRING 240V

OPTIONAL

DISCARD WIRES 1 AND 2. REPLACE WITH WIRES 41, 42, 43, 44 AND WIRE AS SHOWN:

41, 42 TO TB1

43, 44 TO POWER SWITCH

*LOCKWASHER AND NUT (OR DOUBLE NUTS) IS REQUIRED TO HOLD GROUND TERMINAL TO GROUND STUD

SOLID STATE RELAY 2
WATER HEATER

SOLID STATE RELAY 1
AIR HEATER

*MUST HAVE THERMAL GREASE OR THERMAL PAD INSTALLED BETWEEN RELAYS AND MOUNTING SURFACES

LOWER FLOAT SWITCH

HIGH LIMIT 300F

HIGH LIMIT 400F

POWER SWITCH
(REAR VIEW)

FUSES

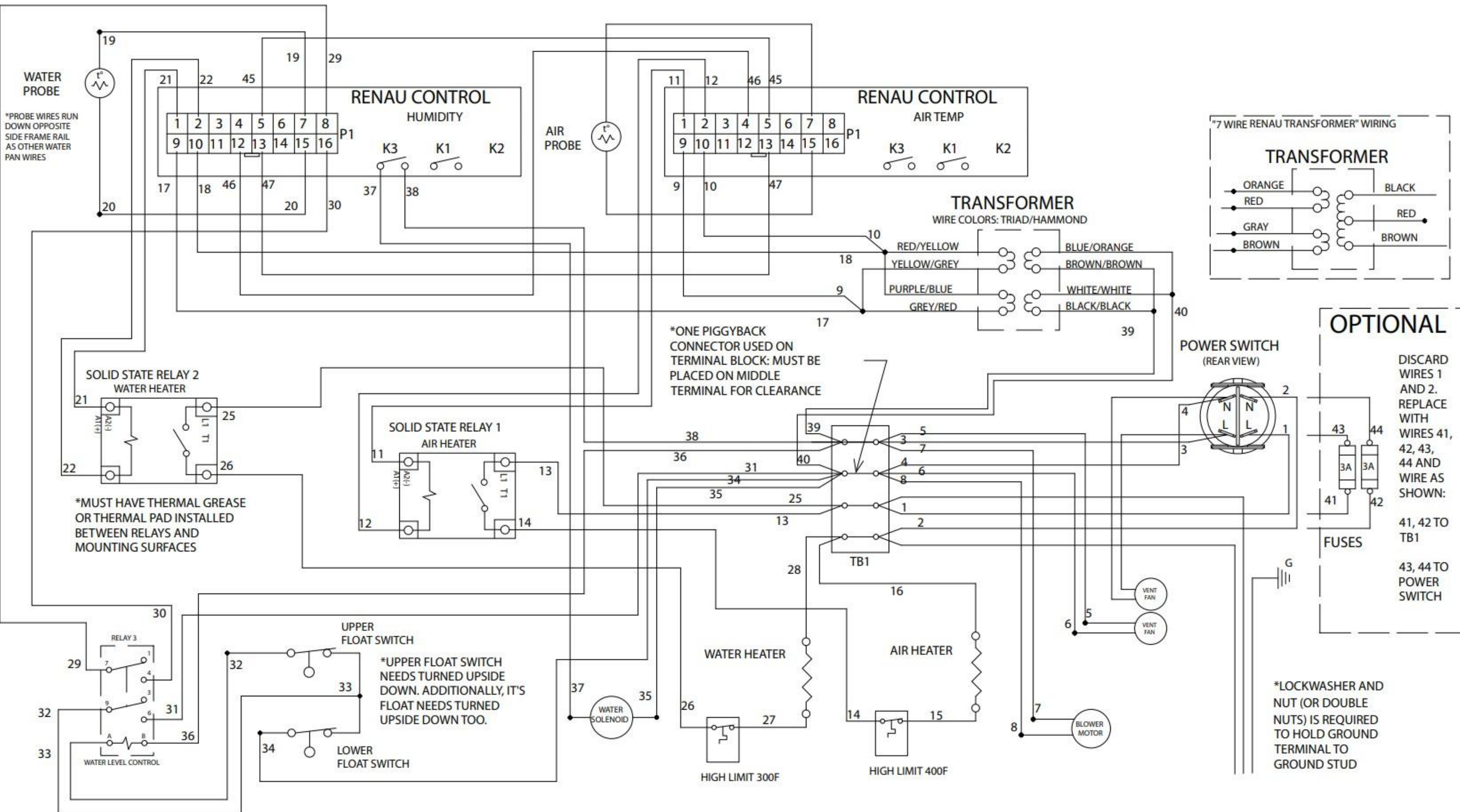
VENT FAN

VENT FAN

BLOWER MOTOR

TB1

G

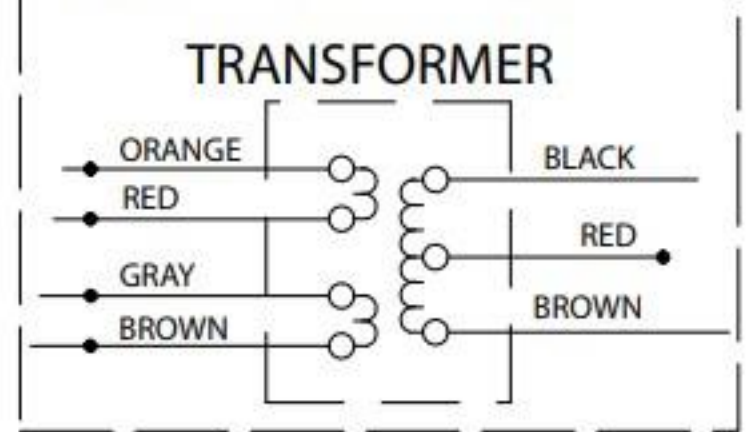


WATER PROBE
 *PROBE WIRES RUN DOWN OPPOSITE SIDE FRAME RAIL AS OTHER WATER PAN WIRES

RENAU CONTROL HUMIDITY

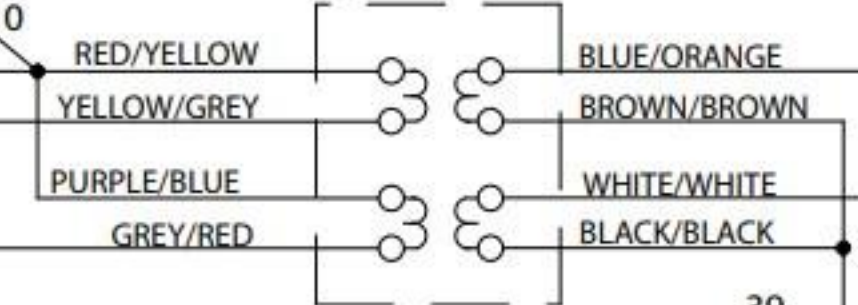
RENAU CONTROL AIR TEMP

"7 WIRE RENAU TRANSFORMER" WIRING



TRANSFORMER

WIRE COLORS: TRIAD/HAMMOND

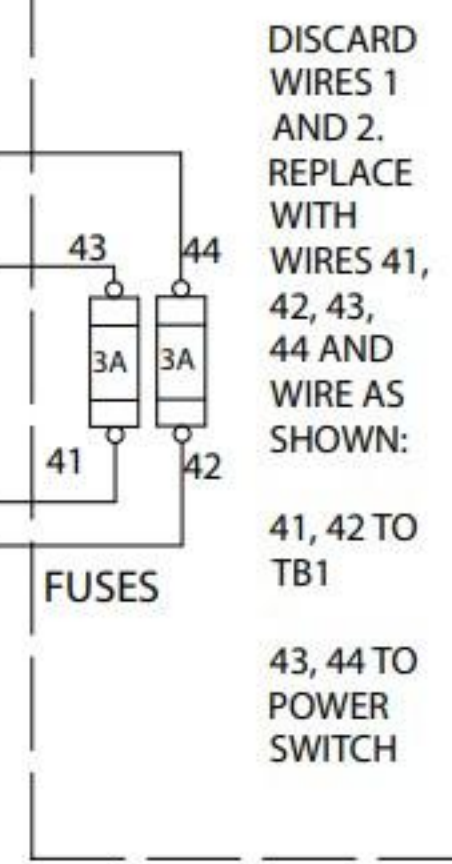


*ONE PIGGYBACK CONNECTOR USED ON TERMINAL BLOCK: MUST BE PLACED ON MIDDLE TERMINAL FOR CLEARANCE

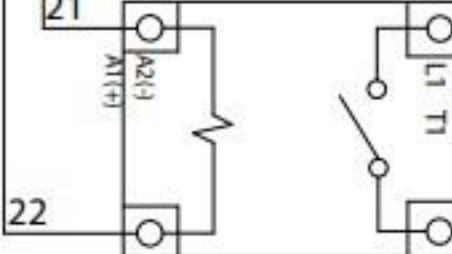
POWER SWITCH (REAR VIEW)



OPTIONAL

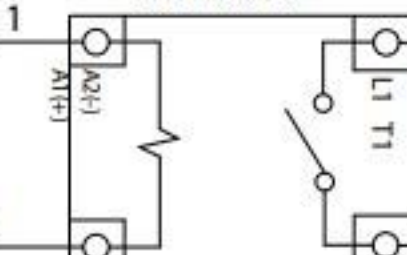


SOLID STATE RELAY 2 WATER HEATER



*MUST HAVE THERMAL GREASE OR THERMAL PAD INSTALLED BETWEEN RELAYS AND MOUNTING SURFACES

SOLID STATE RELAY 1 AIR HEATER



UPPER FLOAT SWITCH

*UPPER FLOAT SWITCH NEEDS TURNED UPSIDE DOWN. ADDITIONALLY, IT'S FLOAT NEEDS TURNED UPSIDE DOWN TOO.

LOWER FLOAT SWITCH

*LOCKWASHER AND NUT (OR DOUBLE NUTS) IS REQUIRED TO HOLD GROUND TERMINAL TO GROUND STUD

HIGH LIMIT 300F

HIGH LIMIT 400F