

**OPERATING and MAINTENANCE INSTRUCTIONS**  
**Models: H137UA9B & H137SUA9 Series Hot Cabinets**

**ELECTRICAL SPECIFICATIONS:**

Model No.	Volts	Watts	Amps	Hertz	Phase	NEMA
H137UA9B H137SUA9	120	1500	12.5	60	1	5-15P
H137UA9B 240 H137SUA9 240	240	1500	6.3	60	1	6-15P
H137UA9B 208 H137SUA9 208	208	1500	7.2	60	1	6-15P

*Models are designed for AC service.*

**HOW TO INSTALL UNIT:**

1. Place cabinet on level floor, in a well ventilated area.
2. Plug cord end into proper wall outlet.
3. Fill water pan if humidity is required.

**NOTE:** Pan holds 2 quarts (1.9 liters) of water.

**HOW TO START UNIT:**

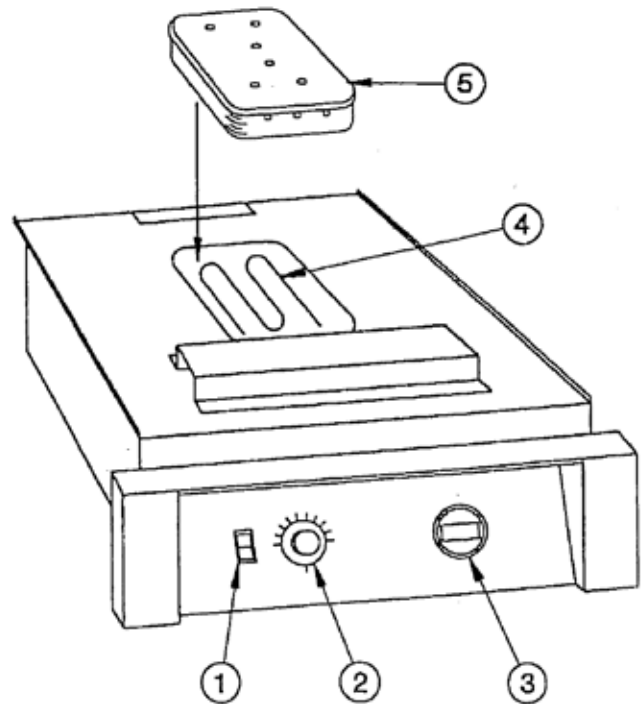
1. Turn the POWER switch on.  
The yellow light will turn on.
2. Turn thermostat to #10.
3. Preheat the cabinet for 30 minutes.
4. Put the food into the cabinet.
5. Turn thermostat to #8 and close the door.

**NOTE:** No. 8 is about 185°F (85°C).  
 No. 6 is about 155°F (68°C).  
 No. 4 is about 125°F (52°C).

Proper food holding temperature is  
 140°F (60°C) or higher.  
 The thermometer shows the temperature inside.

**TO TURN OFF UNIT:**

Push the POWER switch off;  
 the yellow light will go out.



**PARTS IDENTIFICATION**

1. Power Switch
2. Thermostat
3. Temperature Display
4. Heater
5. Water Pan w/cover

Insulated Hot Cabinet	FL-2200
Rev. 7 (2/13)	Page 2 of 4

## OPERATING and MAINTENANCE INSTRUCTIONS

### Models: H137UA9B & H137SUA9 Series Hot Cabinets

#### MAINTENANCE: HOT UNIT REMOVAL INSTRUCTIONS

1. Unplug power cord from wall outlet.
2. Slide entire unit out the front of the cabinet.

### **WARNING**

#### BEFORE CLEANING CABINET:

1. Allow the cabinet to cool.
  2. Do NOT use abrasives or harsh chemicals.
- Is your cabinet aluminum or stainless steel construction? Be sure your cleaner is suitable for that material.**

**Note:** Stainless Steel cabinets have an “S” in their model numbers.

#### Cleaning hints:

1. Wipe up spills as soon as possible.
2. Clean cabinet regularly to avoid heavy dirt build-up.
3. Make a test spot with cleaner.
4. Follow manufacturer’s directions on cleaner.
5. Do not mix cleaners.
6. Avoid drips and splashes.
7. Do not use “Cres Clean” on plastic parts or labels.

#### HOW TO CLEAN THE UNIT:

Soil	Cleaner	Method
Dirt	Mild Detergent* and hot water, or mild abrasive cleaner.	1. Wipe with soft, damp cloth. 2. Rinse with hot water. 3. Wipe Dry.
	Steam (no strong alkaline additive)	1. Rinse after steam cleaning. 2. Wipe Dry
Fingerprints, grease, oil	Mild abrasive cleaner. Oily or waxy cleaner.	Apply with soft, clean cloth.
	Chemical oven cleaner.	Follow oven cleaner manufacturer’s instructions
Water Spots	Mild abrasive cleaner.	1. Apply with soft, clean cloth. 2. Wipe with damp cloth.

*\*Mild detergent includes soaps and non-abrasive cleaners.*

**Note:** Gaskets are removable for cleaning.

## OPERATING and MAINTENANCE INSTRUCTIONS

### Models: H137UA9B & H137SUA9 Series Hot Cabinets

#### TROUBLE-SHOOTING CHART:

##### FAILURE:

1. Switch light or control display does NOT light up.
2. Unit gets too hot or won't shut off.
3. Unit does not heat.
4. Thermostat control reads "err oo"

##### POSSIBLE CAUSE:

- 1a. Circuit breaker/fuse to wall outlet is blown
- 1b. Cord is unplugged from wall outlet.
- 1c. Switch is "OFF."
- 1d. Switch or control defective.
- 2a. Relay or control defective.

##### ***UNPLUG UNIT FROM WALL OUTLET***

3. Defective heater, relay, blower or control.
4. Temperature probe defective.

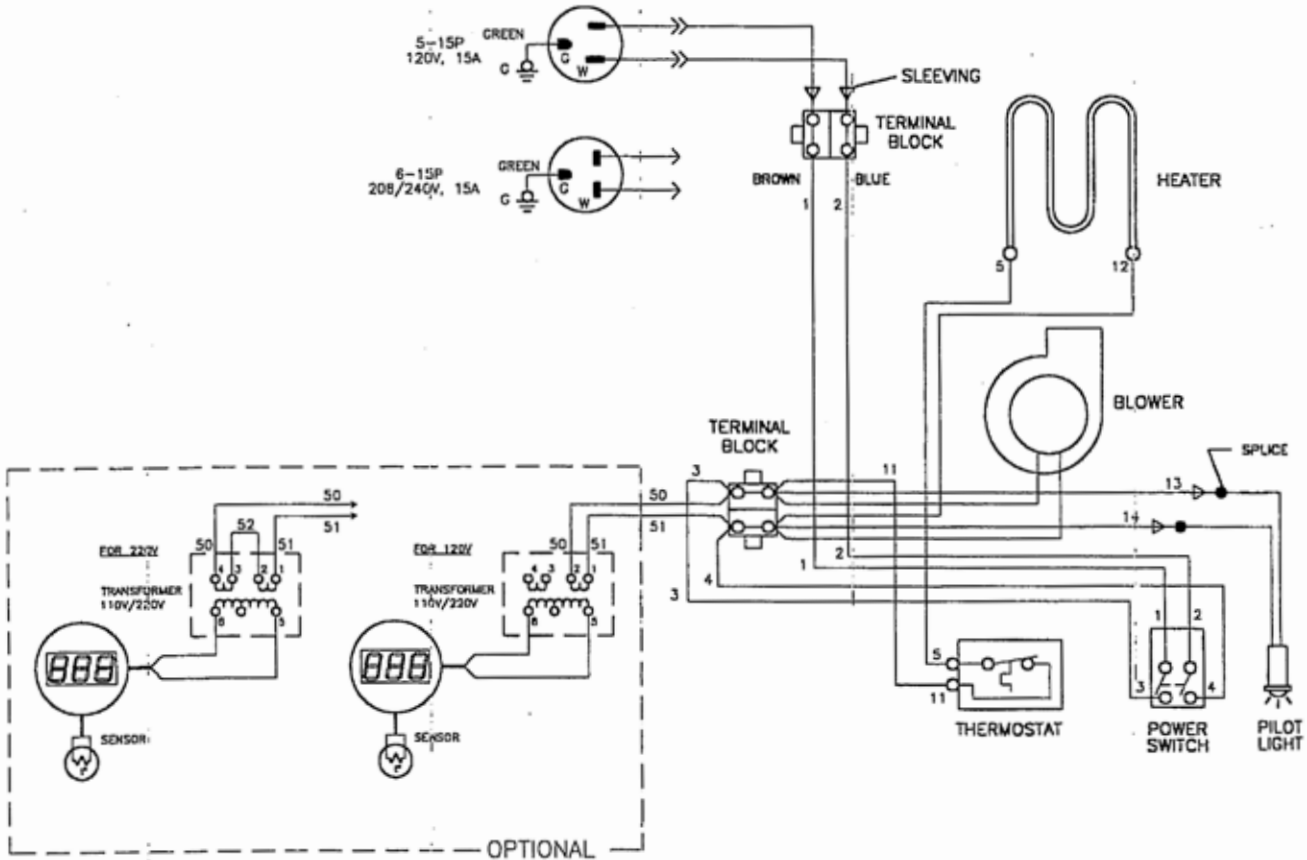
#### REPLACEMENT PARTS:

DESCRIPTION		120 V	240 V	208 V
Hot Unit	Aluminum (23" wide)	HU-18-671-129	HU-18-671-130	HU-18-671-131
Hot Unit	Stainless Steel (23.5" wide)	HU-18-671-178	HU-18-671-180	HU-18-671-179
Water Pan, Complete		1017-001-03	1017-001-03	1017-001-03
Blower Kit		0769-180-K	0769-182-K	0769-182-K
Heater Kit		0811-019-K	0811-020-K	0811-020-01-K
Thermostat Kit		0848-062-K	0848-062-K	0848-062-K
Thermometer Kit	Analog	5238-030-K	5238-030-K	5238-030-K
Thermometer Kit	Digital	5238-034-K	5238-034-K	5238-034-K
Power Cord		0810-038	0810-039	0810-039
Power Switch		0808-116-K	0808-116-K	0808-116-K
Pilot Light		0766-094	0766-095	0766-095
Hinge Kit		0519-087-K	0519-087-K	0519-087-K
Gasket		0861-199-K	0861-199-K	0861-199-K
Strain Relief		0818-082	0818-082	0818-082
Terminal Block		0852-091	0852-091	0852-091
Terminal Block (Rear)		0978-007-K	0978-007-K	0978-007-K
Angles (2)		0692-095-K	0692-095-K	0692-095-K

Insulated Hot Cabinet	<b>FL-2200</b>
Rev. 7 (2/13)	Page 4 of 4

**OPERATING and MAINTENANCE INSTRUCTIONS**  
**Models: H137UA9B & H137SUA9 Series Hot Cabinets**

**WIRING DIAGRAM**



ELECTRICAL SPECS.
MODEL # 0671-129, -178 1500W, 120V, 60HZ, 1 Ph AC SERVICE
MODEL # 0671-130, -180 1500W, 240V, 60HZ, 1 Ph AC SERVICE
MODEL # 0671-131, -179 1500W, 208V, 60HZ, 1 Ph AC SERVICE