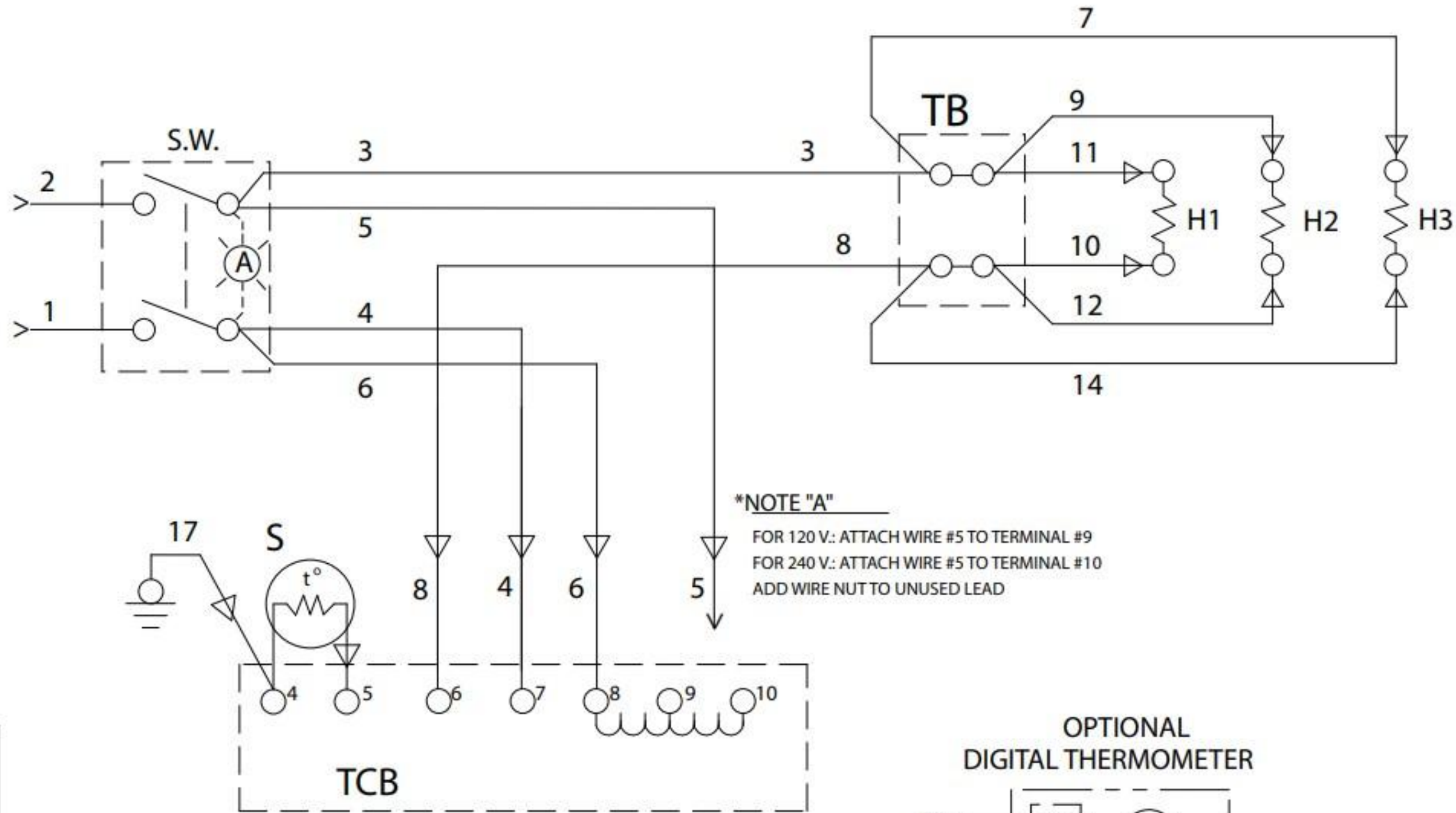
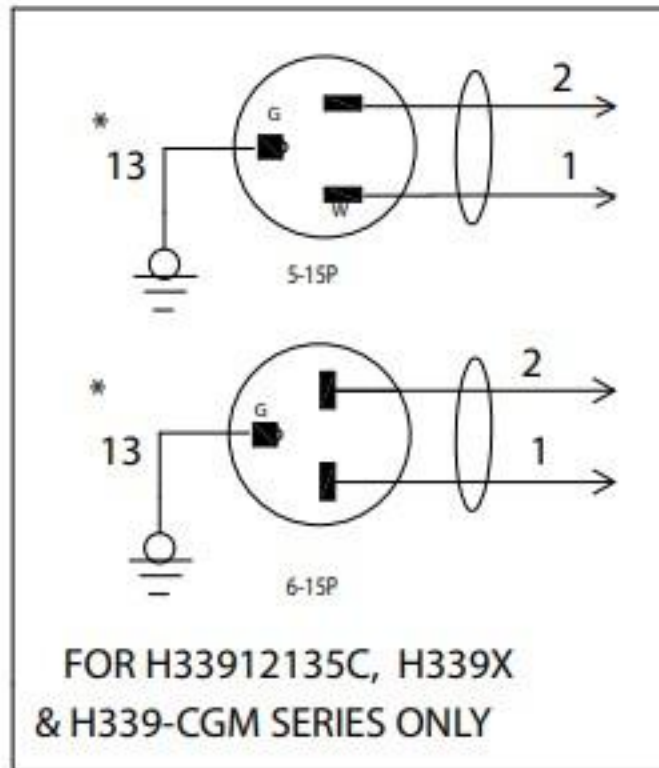


* WIRE # 13 GROUND TO INNER BODY



*NOTE "A"

FOR 120 V.: ATTACH WIRE #5 TO TERMINAL #9
 FOR 240 V.: ATTACH WIRE #5 TO TERMINAL #10
 ADD WIRE NUT TO UNUSED LEAD



FOR H33912135C, H339X
 & H339-CGM SERIES ONLY

LEGEND

ITEM	DESCRIPTION
H1	HEATER-BOTTOM
H2&3	HEATER-RIGHT & LEFT SIDE
L5-15P	FLANGED INLET,120V. 15A.
L6-15P	FLANGED INLET,250V. 15A.
S	SENSOR-AIR
SW	SWITCH-POWER (LIGHTED)
TB	TERMINAL BLOCK
TCB	THERMOSTAT
	HEATING (12-PLACES)

OPTIONAL DIGITAL THERMOMETER

