

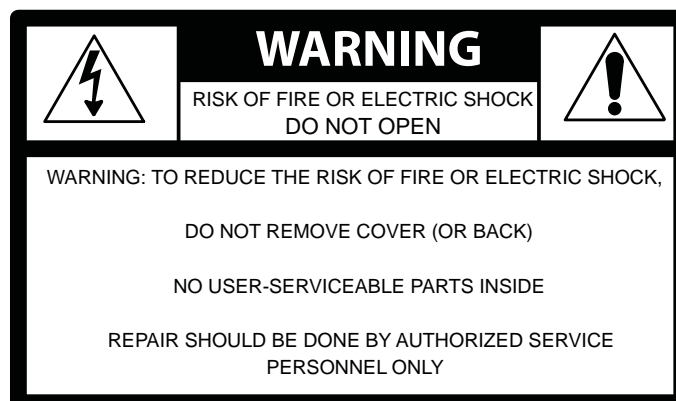
## OPERATING and MAINTENANCE INSTRUCTIONS

### Models: H137PUA...C/H138P1834C and H137PSUA...C/H138PS1834C Pass-Thru Series Hot Cabinets

#### ELECTRICAL SPECIFICATIONS:

Model No.	Volts	Watts	Amps	Hertz	Phase	NEMA
H137PSUA12C H137PUA12C H137PSUA9C H137PUA9C H137PSUA6C H137PUA6C H138PS1834C H138P1834C	120	2000	16.7	60	1	5-20P
H137PSUA12C208 H137PUA12C208 H137PSUA9C208 H137PUA9C208 H137PSUA6C208 H137PUA6C208 H138PS1834C208 H138P1834C208	208	2000	10.0	60	1	6-15P
H137PSUA12C240 H137PUA12C240 H137PSUA9C240 H137PUA9C240 H137PSUA6C240 H137PUA6C240 H138PS1834C240 H138P1834C240	240	2000	8.6	60	1	6-15P

**Note:** The above model numbers are basic models. They may be followed by letters: **L**, **M**, **2M**, **D** or ending with **S** and/or **Z**



Pass-Thru Hot Cabinet	<b>FL-2254</b>
Rev. 7 (7/08)	Page 2 of 5

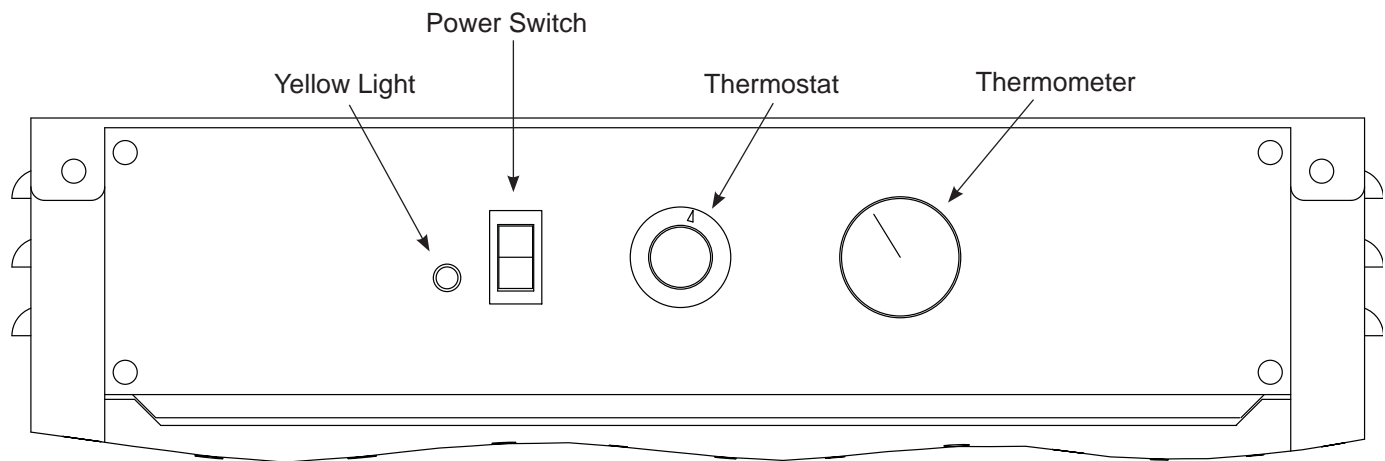
## OPERATING and MAINTENANCE INSTRUCTIONS

### Models: H137PUA...C/H138P1834C and H137PSUA...C/H138PS1834C

### Pass-Thru Series Hot Cabinets

#### HOW TO INSTALL UNIT:

1. Place cabinet on level floor.
2. Plug cord into proper wall outlet.



#### HOW TO START UNIT:

1. Push *POWER* switch to **ON**. The *yellow* light will turn on.
2. Turn thermostat knob to #7.
3. Preheat cabinet for 60 minutes.
4. Put food into cabinet.
5. Turn thermostat to #8 and close door.  
     No. 8 setting = approx. 185°F/85°C  
     No. 6 setting = approx. 160°/71°C  
     No. 4 setting = approx. 130°/54°C

**NOTE:** Proper food holding temperature is 140°F/60°C or higher.

**Note:** The optional digital thermometer display flashes when center of cabinet is below 140°F (60°C) or above 250°F (121°C). Call the factory if you need different settings.

#### TO TURN OFF UNIT:

Push the *POWER* switch to **OFF**.  
The *yellow* light will go out.

## OPERATING and MAINTENANCE INSTRUCTIONS

### Models: H137PUA...C/H138P1834C and H137PSUA...C/H138PS1834C Pass-Thru Series Hot Cabinets



**BEFORE Cleaning the Cabinet:**

1. Allow cabinet to cool.
2. Do NOT use abrasives or harsh chemicals.

Is your cabinet of aluminum or stainless steel construction?  
Be sure your cleaner is suitable for that material.

**NOTE:** Stainless steel cabinets have “S” in the model number.

**Cleaning Notes:**

1. Wipe up spills as soon as possible.
2. Clean cabinet regularly to avoid heavy dirt build-up.
3. Make a test spot with cleaner.
4. Follow manufacturer’s directions on cleaner.
5. Do not mix cleaners.
6. Avoid drips and splashes.

#### HOW TO CLEAN UNIT:

SOIL	CLEANER	METHOD
DIRT	Mild detergent* and hot water, or mild abrasive cleaner.	1. Use soft, damp cloth. 2. Rinse with hot water 3. Wipe dry.
	Steam (no strong alkaline additive).	1. Rinse after steam cleaning. 2. Wipe dry.
FINGERPRINTS, GREASE and OIL	Chemical oven cleaner.	Follow oven cleaner manufacturer’s directions
	Mild abrasive cleaner; oily or waxy cleaner.	Apply with a soft, clean cloth.
WATER SPOTS	Mild abrasive cleaner.	1. Apply with damp cloth. 2. Rinse and dry.
<i>*Mild detergents include soaps and non-abrasive cleaners.</i>		

**Note:** Gaskets are removable for cleaning.

**TROUBLE-SHOOTING CHART:**

**FAILURE:**

1. Yellow light on switch does NOT light.
2. Unit does not heat.
3. Unit gets too hot or won’t shut off.
4. Blower does not work or makes noise.

**POSSIBLE CAUSE:**

- 1a. Circuit breaker/fuse to wall outlet is blown
- 1b. Cord is unplugged from wall outlet.
- 1c. Switch is “OFF.”
- 2a. Thermostat set too low or is “OFF.”
- 2b. Switch is “OFF.”
- 3a. Defective electrical parts.
- UNPLUG UNIT FROM WALL OUTLET.**
- 4a. Defective blower

*If cause is none of the above, refer to our list of Authorized Service Centers, FL-1400*

Pass-Thru Hot Cabinet	<b>FL-2254</b>
Rev. 7 (7/08)	Page 4 of 5

## OPERATING and MAINTENANCE INSTRUCTIONS

### Models: H137PUA...C/H138P1834C and H137PSUA...C/H138PS1834C

### Pass-Thru Series Hot Cabinets

#### REPLACEMENT PARTS

DESCRIPTION		120 Volt	208 Volt	240 Volt
Power Unit	2000w	0675-004	0675-005	0675-005
	2000w + digital therm	0675-004-D	0675-005-D	0675-005-D
Heater kit, air	-2000w	<b>0811-074</b>		0811-074-01
	(2-1000w)			
High Limit		<b>0848-060</b>	<b>0848-060</b>	<b>0848-060</b>
Thermometer	-analog	5238-030	5238-030	5238-030
	-digital	5238-034	5238-034	5238-034
Transformer <i>(used with digital thermometer)</i>		<b>0769-159</b>	<b>0769-159</b>	<b>0769-159</b>
Thermostat, air	-analog	<b>0848-062-K</b>	<b>0848-062-K</b>	<b>0848-062-K</b>
	-solid state	<b>0848-008-ACK</b>	<b>0848-008-ACK</b>	<b>0848-008-ACK</b>
Power Cord		<b>0810-065-10</b>	<b>0810-039-02</b>	<b>0810-039-02</b>
Power Switch		0808-116	0808-116	0808-116
Power Light		<b>0766-094</b>	<b>0766-095</b>	<b>0766-095</b>
Vent fan		<b>0769-165</b>	<b>0769-174</b>	<b>0769-174</b>
Blower Kit		<b>0769-180-K</b>	<b>0769-182-K</b>	<b>0769-182-K</b>
Door, complete	-aluminum	UA12/UA6/1834	1221-524	
	-aluminum	UA9	1221-527	
	-stainless steel	UA12/UA6/1834	1221-525	
	-stainless steel	UA9	1221-526	
Door, gasket	-aluminum	UA12/UA6/1834	<b>0861-235</b>	
	-aluminum	UA9	<b>0861-236</b>	
	-stainless steel	UA12/UA6/1834	<b>0861-185</b>	
	-stainless steel	UA9	<b>0861-182</b>	
Door, hinge	-aluminum		<b>0519-087-K</b>	
	-stainless steel		<b>0519-074-K</b>	

**OPERATING and MAINTENANCE INSTRUCTIONS**  
**Models: H137PUA...C/H138P1834C and H137PSUA...C/H138PS1834C**  
**Pass-Thru Series Hot Cabinets**

