

## OPERATING and MAINTENANCE INSTRUCTIONS

### Models: H137WSUA...D & H138WS18...D Series

### Humidity Holding Hot Cabinet

#### ELECTRICAL SPECIFICATIONS:

Model No.	Volts	Watts	Amps	Hertz	Phase	NEMA
H137WSUA12D* H137WSUA5D* H137WSUA6D* H138WS185D* H138WS1834D* H138WS1816D*	120	2000	16.7	60	1	5-20P
H137WSUA12D208 H137WSUA5D208 H137WSUA6D208 H138WS185D208 H138WS1834D208 H138WS1816D208	208	2000	9.6	60	1	6-15P
H137WSUA12D240 H137WSUA5D240 H137WSUA6D240 H138WS185D240 H138WS1834D240 H138WS1816D240	240	2000	8.3	60	1	6-15P

\*Model numbers ending in suffix 15A are 1500W, 12.5 Amps, 5-15P.

**NOTE:** The above model numbers are basic models.

They may include letters: **E, L, M, P** or ending with **S, U, V, Z**, and/or **HT**.

#### HOW TO INSTALL UNIT:

1. Place cabinet on level floor, in a well ventilated area.
2. Unpack and install inner pan slides parts.
3. Plug cord end into proper wall outlet.

#### HOW TO CHANGE FROM °C TO °F (if needed)

1. Push the switch on; the light will come on.
2. Push and hold the “SET” button and the button in the lower left hand corner together for 5 seconds. You are now entered into the menu.
3. Scroll over the “Unit” and change it to “C”, then scroll to the “END”.



Air is VERY HOT when door is opened.

#### FIRST TIME OPERATION:

**NOTE:** A new cabinet needs to “burn off” manufacturing oils and excess adhesive before its first use. ***Do NOT load food into cabinet until this has been done!***

1. Push the switch on; the light will come on.

**NOTE:** The letters “LOTPR” (Low Temperature) will show on the control panel until it reaches 80°F (26°C).

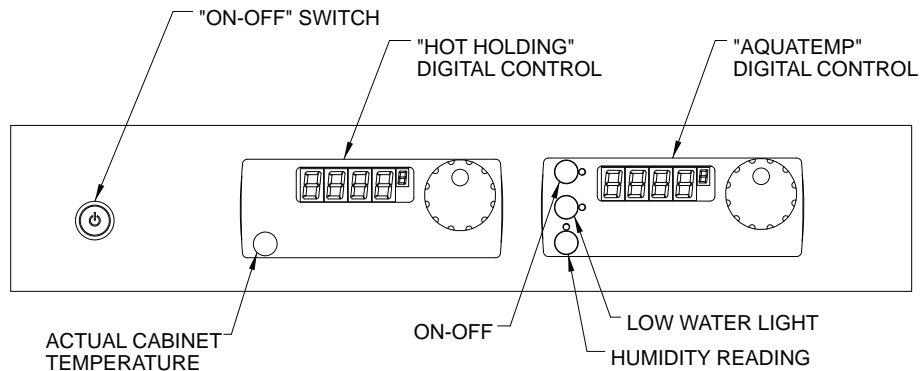
2. Turn the control knob to show 220°F. Push the knob to set the temperature. Run the unit for one (1) hour.
3. Push the switch off the unit off and let cool.
4. Wipe the inside clean with detergent and hot water.

Insulated Hot Cabinets	<b>FL-2355</b>
Rev. 5 (11/15)	Page 2 of 6

## OPERATING and MAINTENANCE INSTRUCTIONS

### Models: H137WSUA...D & H138WS18...D Series

### Humidity Holding Hot Cabinet



#### HOW TO HOLD:

##### No water is needed in pan.

1. Push the switch on; the light will come on.

**NOTE:** The letters “LOTPR” will show on the control panel until it reaches 80°F (26°C).

2. Turn the “Hot Holding” control knob to a temperature between 140°F (60°C) to 220°F (104°C). Push the knob to set the temperature.
3. Preheat the cabinet for 30 minutes.

**NOTE:** Press the “Display” button to see the actual temperature inside the cabinet.

#### HOW TO HOLD WITH HUMIDITY:

Fill water pan with 4 gallons (15 liters) of HOT water.



1. Push the switch on; the light will come on.

**NOTE:** The letters “LOTPR” will show on the control panel until it reaches 80°F (26°C).

2. Turn the “Hot Holding” control knob to show 80°F (26°C.) to 220°F (104°C). Push the knob to set the temperature.
3. Turn the “AquaTemp” knob to desired humidity value setting. Push the knob to set the value number.
4. Preheat the cabinet for 1/2 hour (30 minutes).

**NOTE:** This cabinet operates with **air temperature priority**. Humidity will only start after cabinet is fully preheated. If cold or room temp water is used, humidity build-up time will be longer.

#### DIGITAL CONTROL NOTES

\*Press the “display” button to see the actual temperature inside the cabinet (press again to shut off).

\*Press the “display actual” button to see the approximate relative humidity value (press again to shut off).

\*Small letters in upper right corners of the displays are:

Hot Holding control: “S” = setpoint temperature  
“A” = actual temperature

AquaTemp control: “S” = setpoint reading  
(in increments of 5)  
“A” = approximate relative humidity reading

**NOTE:** When the low water light is on, the “A” numbers will not be close to an accurate reading, and the water heater will not heat.

**NOTE:** These settings are based on laboratory conditions and may differ from conditions at the point of use. Experiment with the settings to determine what is best for your application.

#### HOW TO TURN UNIT OFF:

Push switch off; light will go out.

## OPERATING and MAINTENANCE INSTRUCTIONS

### Models: H137WSUA...D & H138WS18...D Series

### Humidity Holding Hot Cabinet

**DAILY MAINTENANCE:**

**WATER PAN**

Drain, wipe and fill water pan daily. (Clear vinyl drain hose is provided.)

1. Push hose onto drain nozzle under the cabinet base.
2. Turn knob to open the drain.

**CABINET**

1. Wipe the inside of the cabinet after daily use.
2. **LEAVE DOORS SLIGHTLY OPEN TO FULLY DRY INTERIOR.**



**Delime or descale water pan parts as required, to prevent damaging build-up. WARRANTY COVERAGE MAY BE AFFECTED WITHOUT PROPER CLEANING.**



**BEFORE CLEANING CABINET:**

1. **Allow cabinet to cool.**
2. **Do NOT hose cabinet with water.**
3. **Do NOT get water on controls.**
4. **Do NOT use abrasives or harsh chemicals.**

**Cleaning hints:**

1. Wipe up spills as soon as possible.
2. Clean cabinet regularly to avoid heavy dirt build-up.
3. Make a test spot with cleaner.
4. Follow manufacturer's directions on cleaner.
5. Do not mix cleaners.
6. Avoid drips and splashes.
7. Do not use "Cres Clean" on plastic parts or labels.

**HOW TO CLEAN THE UNIT:**

	Soil	Cleaner	Method
<b>CABINET</b> Inside and Outside (Stainless Steel)	ROUTINE CLEANING	Soap, Ammonia, or mild *detergent and water.	1. Sponge on with cloth. 2. Rinse with water. 3. Wipe dry.
	STUBBORN SPOTS AND STAINS	Mild abrasive made for stainless steel.	1. Apply with damp sponge or cloth. 2. Rub lightly.
	BURNT-ON FOODS OR GREASE	Chemical oven cleaner for stainless steel.	Follow oven cleaner manufacturer's directions.
	HARD WATER SPOTS and SCALE	Vinegar	1. Swab or wipe with cloth. 2. Rinse and dry.

*\*Mild detergents include soaps and non-abrasive cleaners.*

**NOTE:** Gaskets are removable for cleaning.

Controller (Thermostats) Error codes:  
 err 00 - Temperature probe defective  
 err 01 - Water fill time out



- 4. No humidity
  - 3. Unit does not heat.
  - 2. Unit gets too hot or won't shut off.
  - 1. Switch light or control display does NOT light up.
- POSSIBLE CAUSE:**
- 1a. Circuit breaker/fuse to wall outlet is blown
  - 1b. Cord is unplugged from wall outlet.
  - 1c. Switch is "OFF."
  - 1d. Switch or control defective.
  - 2a. Relay or control defective.
  - 3. Defective heater, relay, blower or control.
  - 4a. Low water
  - 4b. Air temperature set too high.
  - 4c. Defective heater, relay or control.

**UNPLUG UNIT FROM WALL OUTLET**

**TROUBLE-SHOOTING CHART:**

**WARNING**

RISK OF FIRE OR ELECTRIC SHOCK  
DO NOT OPEN

WARNING: TO REDUCE THE RISK OF FIRE OR ELECTRIC SHOCK,  
DO NOT REMOVE COVER (OR BACK)  
NO USER-SERVICEABLE PARTS INSIDE  
REPAIR SHOULD BE DONE BY AUTHORIZED SERVICE  
PERSONNEL ONLY

**OPERATING and MAINTENANCE INSTRUCTIONS**  
**Models: H137WSUA..D & H138WS18..D Series**  
**Humidity Holding Hot Cabinet**

FL-2355	Insulated Hot Cabinets
Page 4 of 6	Rev. 5 (11/15)

## OPERATING and MAINTENANCE INSTRUCTIONS

### Models: H137WSUA...D & H138WS18...D Series

### Humidity Holding Hot Cabinet

#### REPLACEMENT PARTS:

		<u>120V</u>	<u>208V</u>	<u>240V</u>
Blower Kit		0769-180-SS-K	0769-182-SS-K	0769-182-SS-K
Heater Kit, Air	2000W	0811-022-K	0811-185-K	0811-023-K
	1470W	0811-019		
Heater Kit, Water	1850W	0811-271	0811-278	0811-271
	1500W	0811-314		
High Limit (water pan)		0848-060	0848-060	0848-060
High Limit - 400°F		0848-033	0848-033	0848-033
Power Cord	2000W	0810-065-12-K	0810-039-07	0810-039-07
	1500W	0810-029-06		
Relay, Solid State		0857-136	0857-136	0857-136
Switch, Power		0808-125	0808-125	0808-125
Thermostat Control (Hot)		0848-092-02-K	0848-092-02-K	0848-092-02-K
Thermostat Control (Humidity)		0848-092-05-K	0848-092-05-K	0848-092-05-K
Thermostat Probe		0848-091-K	0848-091-K	0848-091-K
Terminal Block		0852-119	0852-119	0852-119
Transformer		0769-197	0769-197	0769-197
Vent Fan		0769-165	0769-174	0769-174
Water Pan Assembly		0756-037	0756-042	0756-037

Door, Complete (Stainless Steel)	UA12/UA6/1834/1816	1221-579-K
	UA5	1221-597-K
Door, Gasket (Stainless Steel)	UA12/UA6/1834/1816	0861-185-K
	UA5	0861-250-K
Door Hinge		0519-074-K
Door Latch		1006-122-01-K
Door Handle		0911-111
Handle, Side Pull		0911-087
Casters, 5"		0569-306-K
Casters, 5" w/brake		0569-306-BK
Wire Angles (Stainless Steel)		0621-281-SS-K
Pan Rack Insert Each (for -1834 Model)		1103-109
Clear Drip Pan		1017-058

Insulated Hot Cabinets	<b>FL-2355</b>
Rev. 5 (11/15)	Page 6 of 6

## OPERATING and MAINTENANCE INSTRUCTIONS

### Models: H137WSUA...D & H138WS18...D Series

### Humidity Holding Hot Cabinet

#### WIRING DIAGRAM:

