

OPERATING and MAINTENANCE INSTRUCTIONS H161FUA11CM Correctional Insulated Heated Cabinet

ELECTRICAL SPECIFICATIONS: AC Service

Model No.	Volts	Watts	Amps	Hertz	Phase	NEMA	Location
H161FUA11CM	120	1600	13.3	60	1	5-15P	US
H161FUA11CMCAN	120	1600	13.3	60	1	5-20P	US/CAN
H161FUA11CM208	208	1600	7.7	60	1	6-15-P	US/CAN
H161FUA11CM240	240	1600	6.7	60	1	6-15P	US/CAN

HOW TO INSTALL UNIT:

1. Place cabinet on level floor in a well ventilated area.
2. Remove all packing material inside the cabinet.

For First Time Operation:

NOTE: A new cabinet needs to “burn off” manufacturing oils and excess adhesive before it’s first use. ***Do NOT load food into oven until this has been done!***

1. Plug cord into proper wall outlet to turn cabinet on.
2. Let cabinet run for one hour.
3. Unplug the cord to shut off and let the cabinet cool.
4. Wipe inside clean with detergent and hot water.

HOW TO START UNIT:

1. Plug the power cord into proper wall outlet.
2. Preheat cabinet for 30 minutes.
NOTE: Temperature is pre-set for 180°F/82°C.
3. Put food into cabinet.



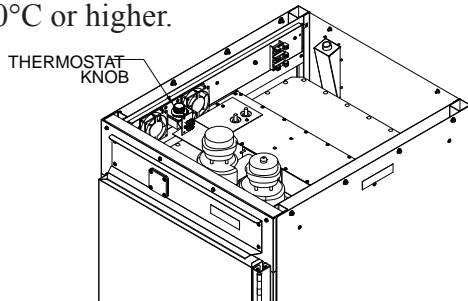
H161FUA11CM Warming Cabinet	FL-2245
Rev. 5 (11/13)	Page 2 of 4

OPERATING and MAINTENANCE INSTRUCTIONS H161FUA11CM Correctional Insulated Heated Cabinet

HOW TO ADJUST TEMPERATURE:

1. Unplug power cord from wall outlet.
2. Remove top cover.
3. Turn thermostat knob to higher numbers (higher temperatures) or lower numbers (lower temperatures).

NOTE: No. 5 setting is approximately 150°F/66°C. Proper food holding temperature is 140°F/60°C or higher.



HOW TO SHUT OFF UNIT:

Unplug power cord from wall outlet

	WARNING	
RISK OF FIRE OR ELECTRIC SHOCK DO NOT OPEN		
WARNING: TO REDUCE THE RISK OF FIRE OR ELECTRIC SHOCK, DO NOT REMOVE COVER (OR BACK) NO USER-SERVICEABLE PARTS INSIDE REPAIR SHOULD BE DONE BY AUTHORIZED SERVICE PERSONNEL ONLY		

WARNING

BEFORE CLEANING CABINET:

1. Unplug power cord from wall outlet
2. Allow cabinet to cool
3. Do **NOT** use abrasives or harsh chemicals. Be sure your cleaner is suitable for stainless steel.

Cleaning Notes:

1. Wipe up spills as soon as possible.
2. Clean cabinet regularly to avoid heavy dirt build-up.
3. Make a test spot with cleaner.
4. Follow manufacturer's directions on cleaner.
5. Do not mix cleaners.
6. Avoid drips and splashes.

HOW TO CLEAN THE UNIT:

	Soil	Cleaner	Method
CABINET Stainless Steel Inside and Outside	DIRT	Mild detergent* and hot water, or mild abrasive cleaner.	1. Use soft, damp cloth 2. Rinse well with hot water. 3. Wipe dry.
		Steam (no strong alkaline additive).	1. Rinse after steam cleaning. 2. Wipe dry.
	FINGERPRINTS GREASE and OIL	Chemical oven cleaner, for stainless steel. Mild abrasive cleaner; oily waxy cleaner.	1. Apply with clean, soft cloth. 2. Follow oven cleaner manufacturer's directions.
	WATER SPOTS	Mild abrasive cleaner.	1. Apply with damp cloth 2. Rinse and dry.

**Mild detergents include soaps and non-abrasive cleaners.*

OPERATING and MAINTENANCE INSTRUCTIONS

H161FUA11CM

Correctional Insulated Heated Cabinet

TROUBLE-SHOOTING CHART:

If unit does not work properly, check the following

FAILURE

1. Unit does not heat.
2. Unit gets too hot or won't shut off.
3. Blower does not work or makes noise.

POSSIBLE CAUSE/CHECK

- 1a. Thermostat set too low or is "OFF"
- 1b. Cord is unplugged from wall outlet.
- 2a. Defective electrical parts.

UNPLUG UNIT FROM WALL OUTLET

- 3a. Defective blower.

If cause is none of the above, refer to our list of authorized service agencies, FL-1400.

REPLACEMENT PARTS: Electrical

DESCRIPTION	120V	120-CAN	208V	240V
Blower, L.H.	0769-093	0769-093	0769-069-K	0769-069-K
Blower, R.H.	0769-180-K	0769-180-K	0769-182-K	0769-182-K
Caster	0569-290	0569-290	0569-290	0569-290
Caster w/ Brake	0569-290-B	0569-290-B	0569-290-B	0569-290-B
Fan Vent	0769-165	0769-165	0769-174	0769-174
Heater	0811-244	0811-244	0811-245	0811-246
Power Cord Kit	0812-465-K2	0812-465-K3	0812-465-K4	0812-465-K4
Terminal Block (Front)	0852-091	0852-091	0852-091	0852-091
Terminal Block (Rear)	0852-090	0852-090	0852-090	0852-090
Thermometer	5238-030-K	5238-030-K	5238-030-K	5238-030-K
Thermostat	0848-062-K	0848-062-K	0848-062-K	0848-062-K

REPLACEMENT PARTS: Cabinet

DESCRIPTION	120V
Door Assembly	1221-519
Gasket, Blower	0861-234
Gasket, Door	0861-233
Hinge	0519-084
Latch, Hasp	1246-027
Latch, Paddle	1006-143-K

H161FUA11CM Warming Cabinet	FL-2245
Rev. 5 (11/13)	Page 4 of 4

OPERATING and MAINTENANCE INSTRUCTIONS
H161FUA11CM
Correctional Insulated Heated Cabinet
WIRING DIAGRAM

