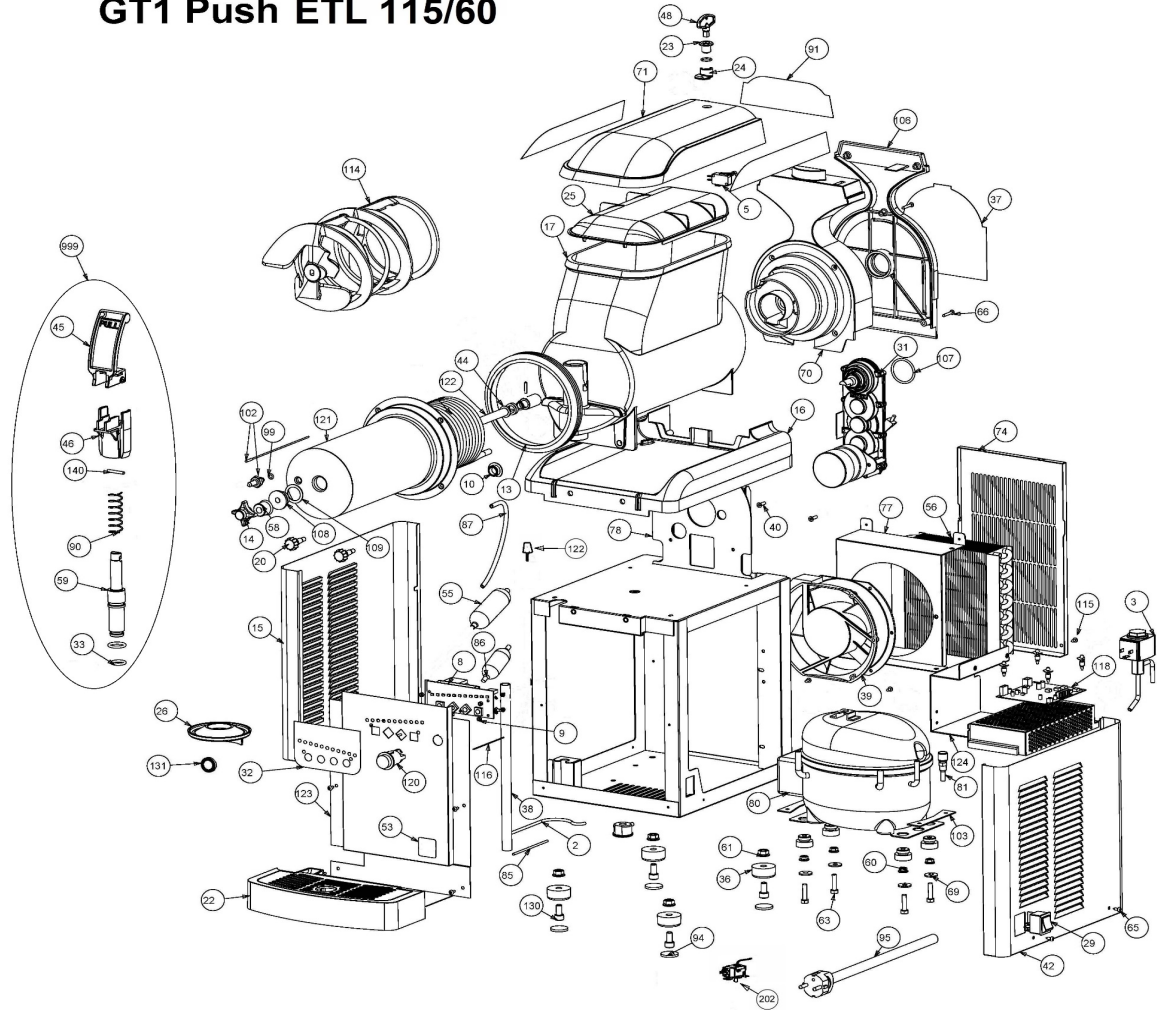


01.CGTP1W/115 - 1206-012

GT1 Push ETL 115/60



Position #	Part #	DESCRIPTION
0	03.GT0014.001	CARDBOARD PACKAGING
0	03.GT0015.001	GT LID
0	03.GT0016.001	PROTECTION PACKAGING
0	03.ZZ0018.001	BAG
0	04.ZZ0597.001	LUBRICANT TUBE
0	03.GT0013.001	CARDBOARD PALLET
2	08.GT0001/110	GT1 115/60 ETL HARNESS
3	04.GT1005/110	115/60 SOLENOID VALVE
5	04.BA0070.001	SAFETY MICROSWITCH
8	02.GT0001/120	GT CONTROL BOARD 120 V
9	02.GT1012.001	SPACER
10	02.BA0257.001	BUSHING BRONZE SHAFT GUIDE
13	02.GT1016.001	BOWL GASKET
14	02.BA0034.001	AUGER FIXING KNOB
15	02.GT1005.001	LEFT SIDE PANEL
16	02.GT1009.WHT	WHITE GT1 DRIP TRAY
17	02.GT0041.002	INSULATED BOWL
20	02.GT0016.02W	WHITE BOWL FIXING KNOB
22	02.GT0026.WHT	WHITE DRIP BOWL + GRID
23	02.GT0024.WHT	WHITE SECURITY SYSTEM BODY

24	02.GT0025.WHT	WHITE SECURITY LEVER
25	02.GT0022.001	GT TRANSPARENT COVER
26	02.GT0018.001	CONDENSATION KEEPER
29	04.BB0061.001	BLACK MAIN SWITCH
31	05.GT0012.S02	GEAR MOTOR 90W
32	04.GT1050.001	GT1 PUSH CONTROL MEMBRANE
33	04.BA0026.TPS	15,47X3,53 SILICONE O-RING
36	02.BB0097.001	FOOT
37	04.GT1052.001	BACK MERCHANDIZE
38	04.ZZ0048.001	TRANSPARENT SILICON TUBE
39	04.GT0001/115	FAN MOTOR
40	ZZ.VI0132.001	SCREW
42	02.GT1004.001	RIGHT SIDE PANEL
44	ZZ.RO0018.001	WASHER 12X18X0,5
45	02.BB0101.01W	TAP HANDLE
46	02.BA0002.001	TAP LEVER SUPPORT
48	02.BA0061.WHT	WHITE LOCKABLE LID KEY
53	04.GC0227.001	CRATHCO STICKER
55	02.GT1007.001	ACCUMULATOR
56	04.BA0253.001	CONDENSER
58	02.BA0292.001	NEW SUCTION GASKET
59	02.GC0018.001	SP PISTON
60	ZZ.DA0013.001	NUT
61	ZZ.DA0014.001	NUT
63	ZZ.VI0037.001	SCREW
65	ZZ.VI0005.001	3,5X6,5 SCREW
66	ZZ.VI0130.001	SCREW
69	ZZ.RO0004.001	WASHER
70	02.GT0012.WHT	WHITE EVAPORATOR SUPPORT
71	02.GT0023.WHT	GT WHITE COVER
74	02.GT1013.001	GT1-B BACK SIDE PANEL
77	02.GT1014.001	GT1-B CONVEYOR
78	02.GT1001.001	FRAME
80	04.BA0077/110	ML60FR 115/60 COMPRESSOR
81	04.ZZ0003.001	COMPRESSOR CHARGING VALVE
85	08.GT0022.001	GT1P PUSH BUTTON HARNESS
86	04.ZZ0242.001	FILTER
87	04.ZZ0203.001	CRYSTAL TUBE
90	04.BA0021.001	TAP SPRING
91	04.GT1053.001	MERCHANDISING COVER KIT
94	04.ZZ0023.001	PADDING FEET
95	04.ZZ0596.001	15AMP ETL CABLE
99	04.BA0199.001	O-RING
102	02.NI0059.V02	TEMPERATURE PROBE
103	02.BA0171.001	COMPRESSOR FIXING PLATE
106	02.GT0032.WHT	WHITE CLOSING EVAPORATOR SUPPORT
107	04.BA0030.001	30X3 O-RING
108	05.BA0100.002	HARD BUSHING WITH SEALING RING
109	02.GC0019.001	RULON BUSHING GASKET
114	02.GT0036.001	SCRAPER AUGER
115	04.EA0145.001	GT1 BACK SIDE PANEL KNOB
116	08.GT0024.001	GT1P BOARD ETL CABLE
118	04.GT0010.001	BRUSHLESS MOTOR BOARD
120	04.BA0102.001	PUSH BUTTON
121	05.GC0001.002	COMPLETE EVAPORATOR
122	04.EC0016.001	FUSE PLUG
122	05.GC0002.002	COMPLETE SHAFT
123	02.GT1019.001	GT1 FRONT PANEL
124	02.GT1029.001	AC/DC supplier 24Vdc support bracket
130	ZZ.VI0013.001	SCREW
131	04.BA0106.001	PUSH BUTTON COVER
140	ZZ.VA0004.001	INOX PLUG 4X30
202	04.BC0050.001	CUT-OUT PRESSURE SWITCH