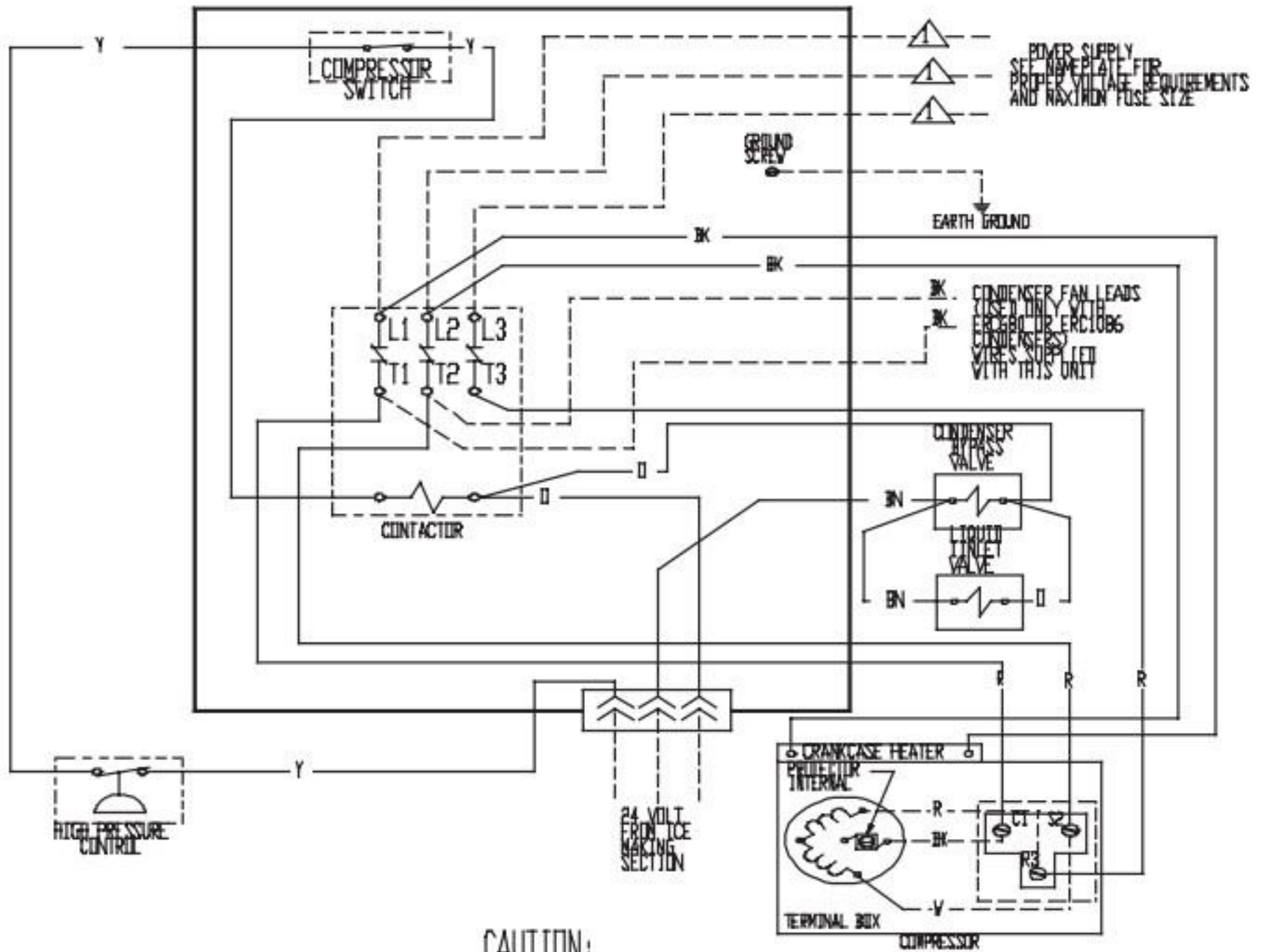


17-2878-01

USE COPPER CONDUCTORS ONLY



POWER SUPPLY  
SEE NAMEPLATE FOR  
PROPER VOLTAGE REQUIREMENTS  
AND MAXIMUM FUSE SIZE

EARTH GROUND

BK  
BK  
CONDENSER FAN LEADS  
USE ONLY WITH  
ELECTRIC CONDENSERS  
VIB'S SUPPLY  
WITH THIS UNIT

24 VOLT  
IRON ICE  
MAKING  
SECTION

CRANKCASE HEATER  
LIQUID INLET VALVE  
TERMINAL BOX  
COMPRESSOR

CAUTION:

MORE THAN ONE DISCONNECT MEANS MAY BE  
REQUIRED TO DISCONNECT ALL POWER TO THIS UNIT.

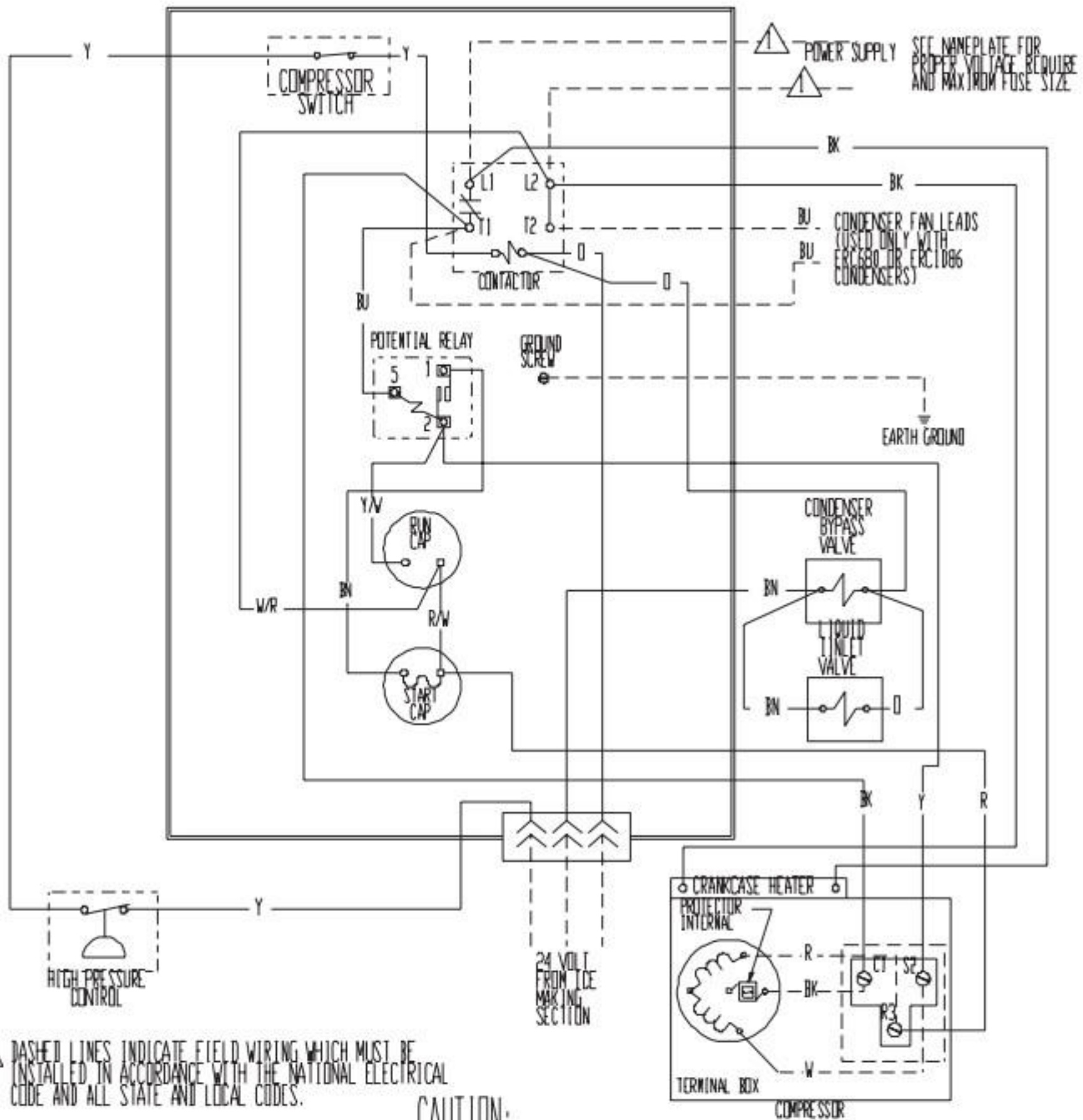


DASHED LINES INDICATE FIELD WIRING WHICH MUST BE  
INSTALLED IN ACCORDANCE WITH THE NATIONAL ELECTRICAL  
CODE AND ALL STATE AND LOCAL CODES.

THIS UNIT MUST  
BE GROUNDED.

17-2877-01

USE COPPER CONDUCTORS ONLY



▲ DASHED LINES INDICATE FIELD WIRING WHICH MUST BE INSTALLED IN ACCORDANCE WITH THE NATIONAL ELECTRICAL CODE AND ALL STATE AND LOCAL CODES.

CAUTION: MORE THAN ONE DISCONNECT MEANS MAY BE REQUIRED TO DISCONNECT ALL POWER TO THIS UNIT.

THIS UNIT MUST BE GROUNDED.

SEE NAMEPLATE FOR PROPER VOLTAGE REQUIRE AND MAXIMUM FUSE SIZE

CONDENSER FAN LEADS USED ONLY WITH ERC 580 OR ERC 1086 CONDENSERS

24 VOLT FROM ICE MAKING SECTION

