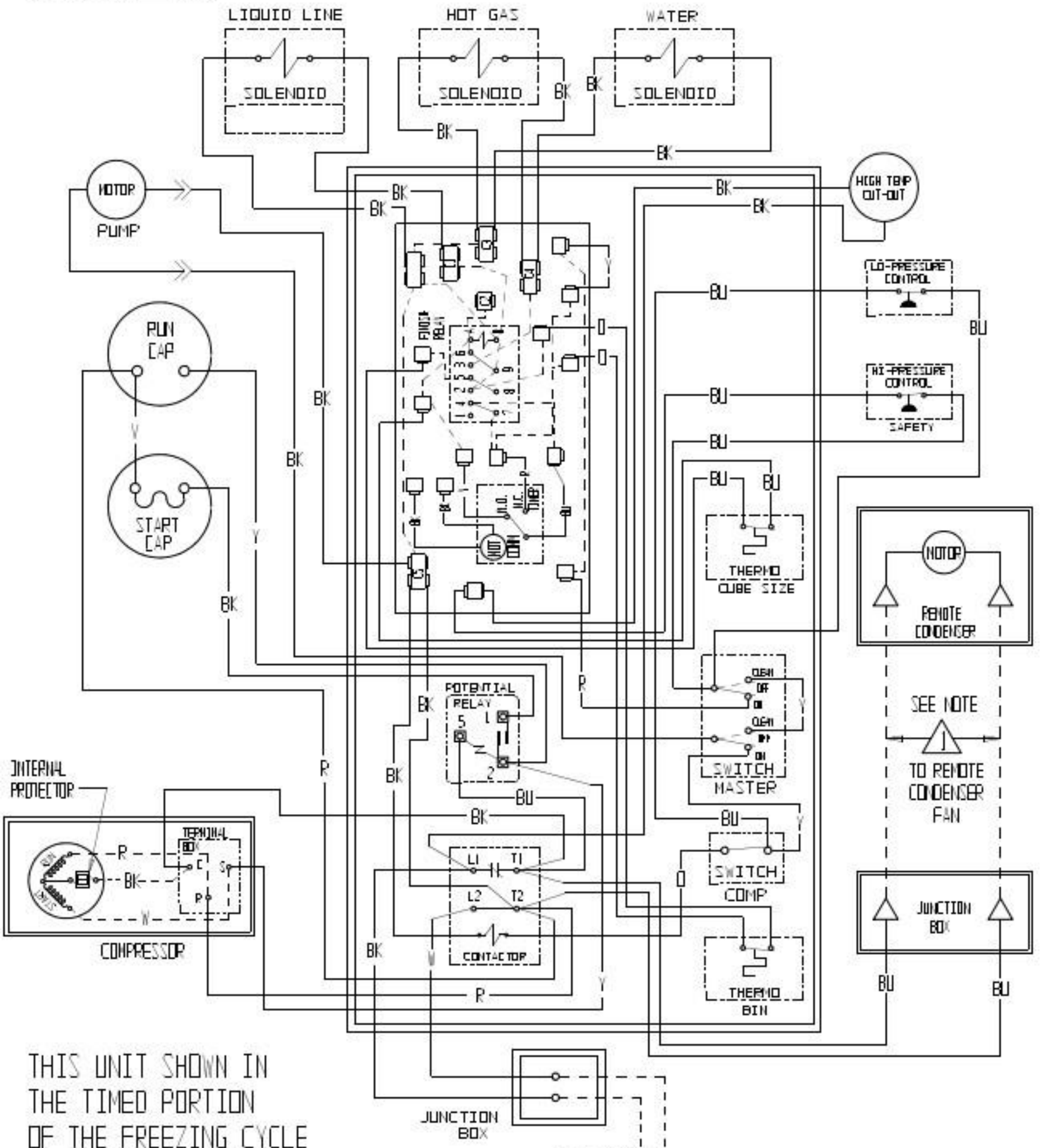


A35941-032

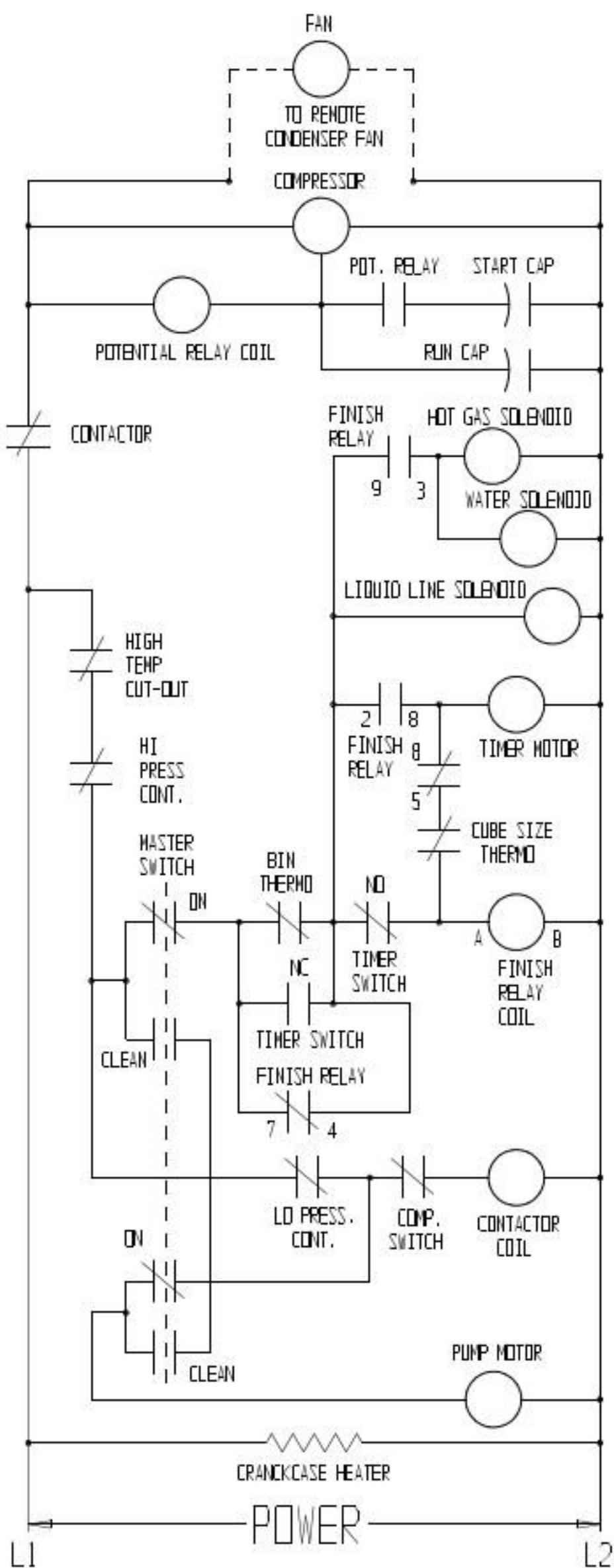
THIS UNIT MUST BE GROUNDED



THIS UNIT SHOWN IN THE TIMED PORTION OF THE FREEZING CYCLE

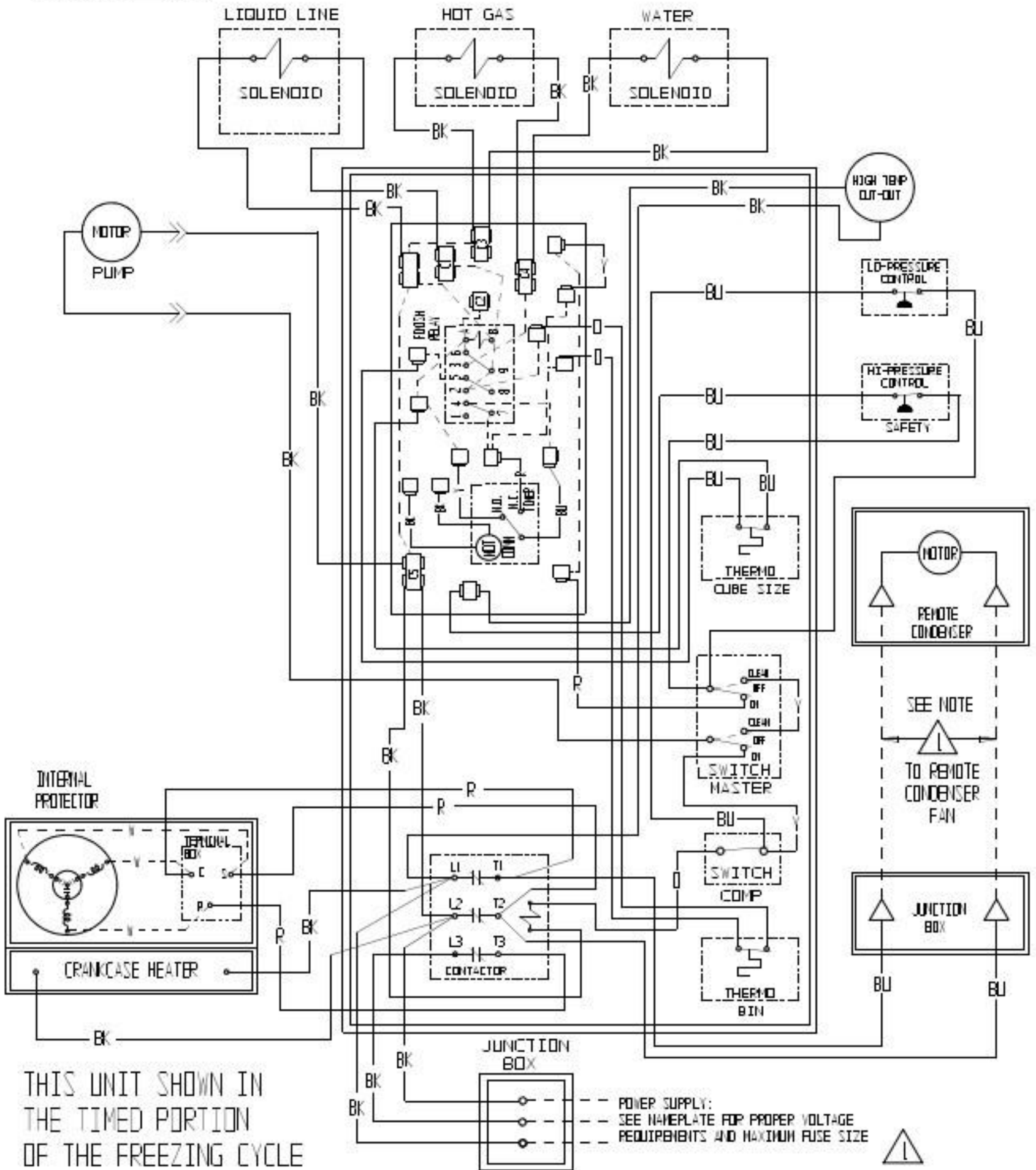
USE COPPER CONDUCTORS ONLY

POWER SUPPLY: SEE NAMEPLATE FOR PROPER VOLTAGE REQUIREMENTS AND MAXIMUM FUSE SIZE



A35941-003

THIS UNIT MUST BE GROUNDED



THIS UNIT SHOWN IN THE TIMED PORTION OF THE FREEZING CYCLE

USE COPPER CONDUCTORS ONLY

