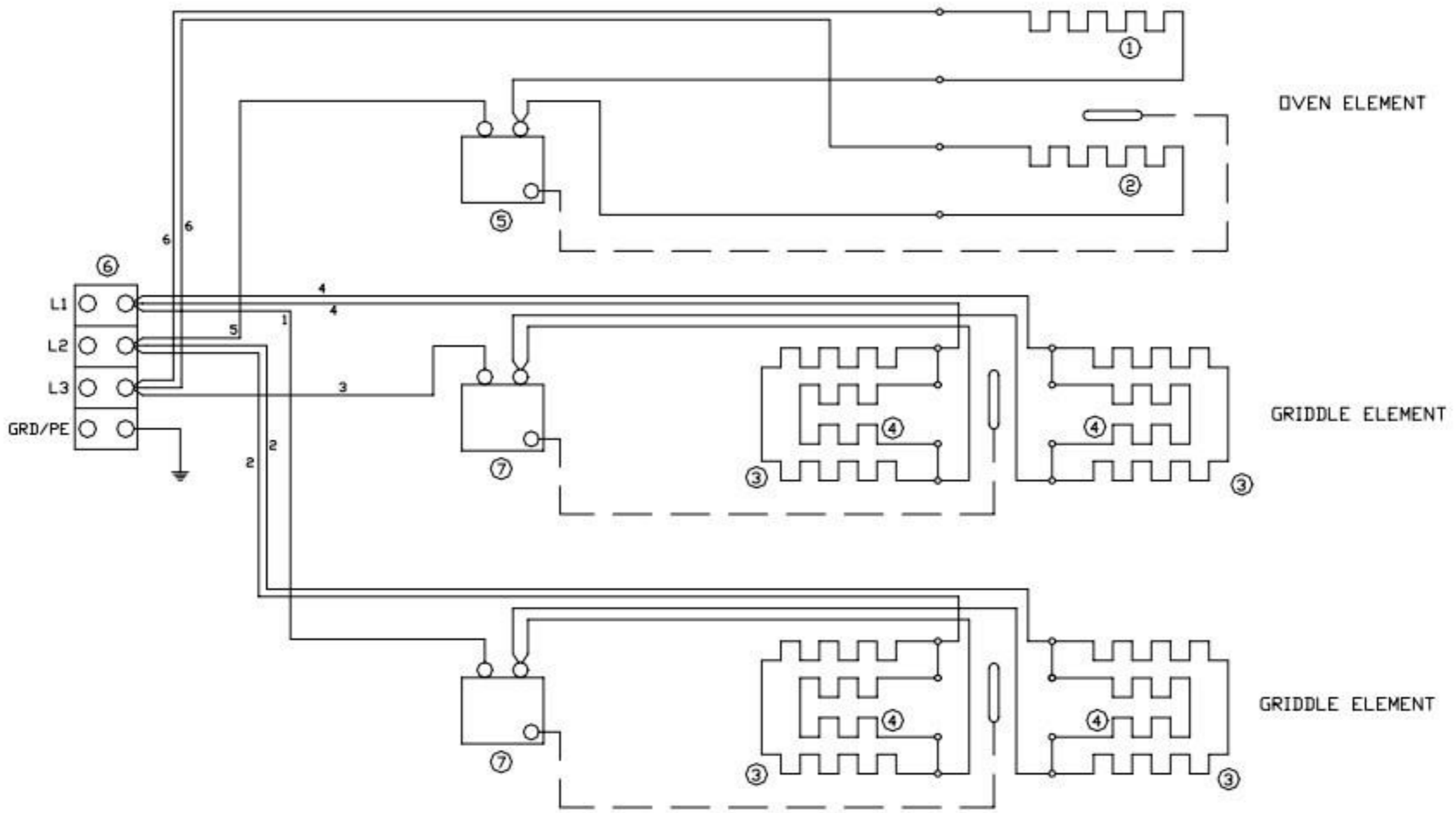


|           |       |       |       |               |      |      |                    |     |     |
|-----------|-------|-------|-------|---------------|------|------|--------------------|-----|-----|
|           |       |       |       | 440 VOLTS     |      |      | SERVICE CONNECTION |     |     |
| KILOWATTS |       |       |       | AMPS PER LINE |      |      | THREE PHASE        |     |     |
| L1-L2     | L2-L3 | L3-L1 | TOTAL | L1            | L2   | L3   | L1                 | L2  | L3  |
| 8.3       | 7.1   | 8.3   | 23.8  | 30.1          | 27.9 | 27.9 | 1-4                | 2-5 | 3-6 |

| REVISION BLOCK |         |             |     |     |     |      |
|----------------|---------|-------------|-----|-----|-----|------|
| REV            | ECN NO. | DESCRIPTION | DR: | MFG | ENG | DATE |
|                |         |             |     |     |     |      |



- ① TOP ELEMENT 1500W (1 - 11045-06)
- ② BOTTOM ELEMENT 4500W (1 - 11045-07)
- ③ ELEMENT T/P OUTSIDE 1650W (4 - 11045-08)
- ④ ELEMENT T/P INSIDE 1850W (4 - 11045-09)
- ⑤ THERMOSTAT, OVEN (1 - 30402-08)
- ⑥ TERMINAL BLOCK (2 - 30500-11)
- ⑦ THERMOSTAT, HDT TDP (2 - 30402-23)

|   |      |                            |                        |
|---|------|----------------------------|------------------------|
| QTY   | ITEM | PART NUMBER                | DESCRIPTION / MATERIAL |
| <b>LANG MANUFACTURING</b>   |      |                            |                        |
| DR: <b>BDM</b> DATE: <b>11-25-98</b>  |      | TITLE: <b>HOT TOP CLR</b>  |                        |
| CK:      DATE:  |      | <b>480 VOLT    3 PHASE</b> |                        |
| TOLERANCES<br>FRACTIONS    DECIMALS<br>± 1/64        .X ± .05<br>ANGLES        .XX ± .03<br>± .5"         .XXX ± .015<br>UNLESS OTHERWISE SPECIFIED<br>DIMENSIONS ARE IN INCHES |      | NEXT HIGHER ASSY.          | SHEET                  |
| SCALE:                      TO FIT  |      | <b>1 OF 1</b>              |                        |
|   |      | <b>DRAWING NUMBER</b>      |                        |
|   |      | <b>61131-15</b>            |                        |
|   |      | <b>REV</b>                 |                        |
|   |      | <b>A</b>                   |                        |