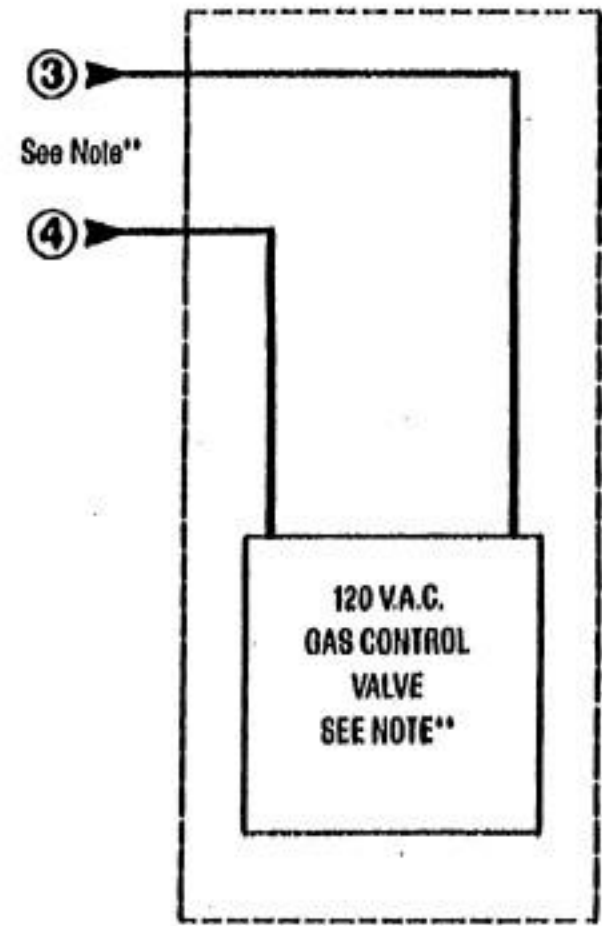
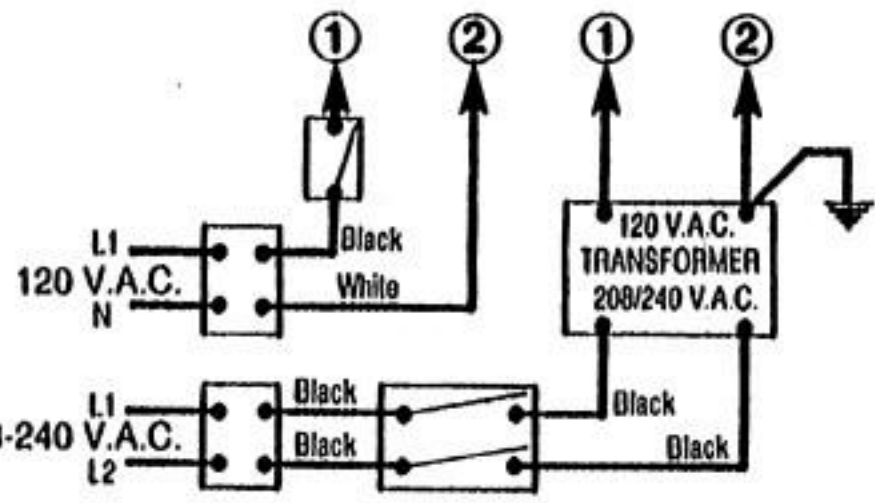
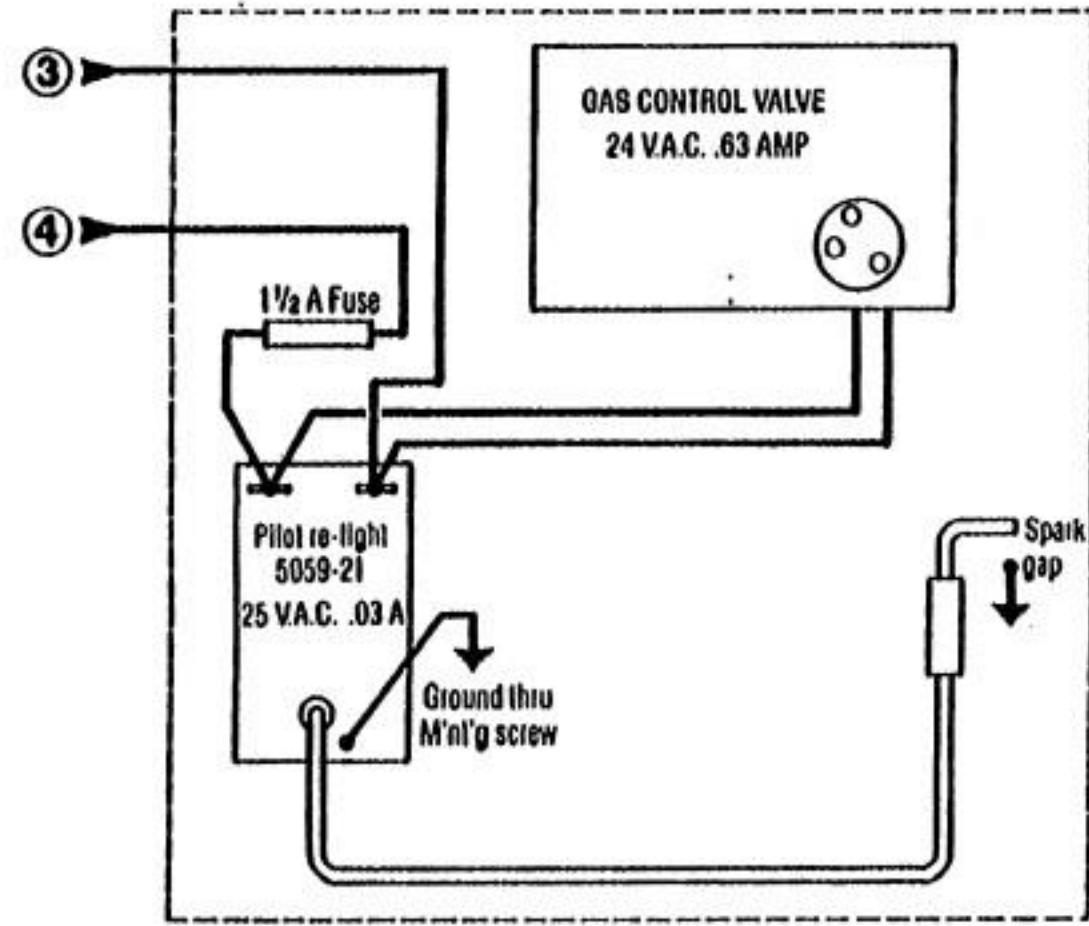


Spark Ignition - Propane Gas



Manual Ignition - Natural or Propane Gas



Spark Ignition - Natural Gas

- NOTE -- Thermocouple is part of the gas control valve; therefore not shown on this electrical diagram.
- NOTE* -- Pilot re-light and cycling pilot safety timer may be combined as one control. Cat. No. 50A22-1
- NOTE** -- 25 V.A.C. transformer not used with 120 V.A.C. gas control valve