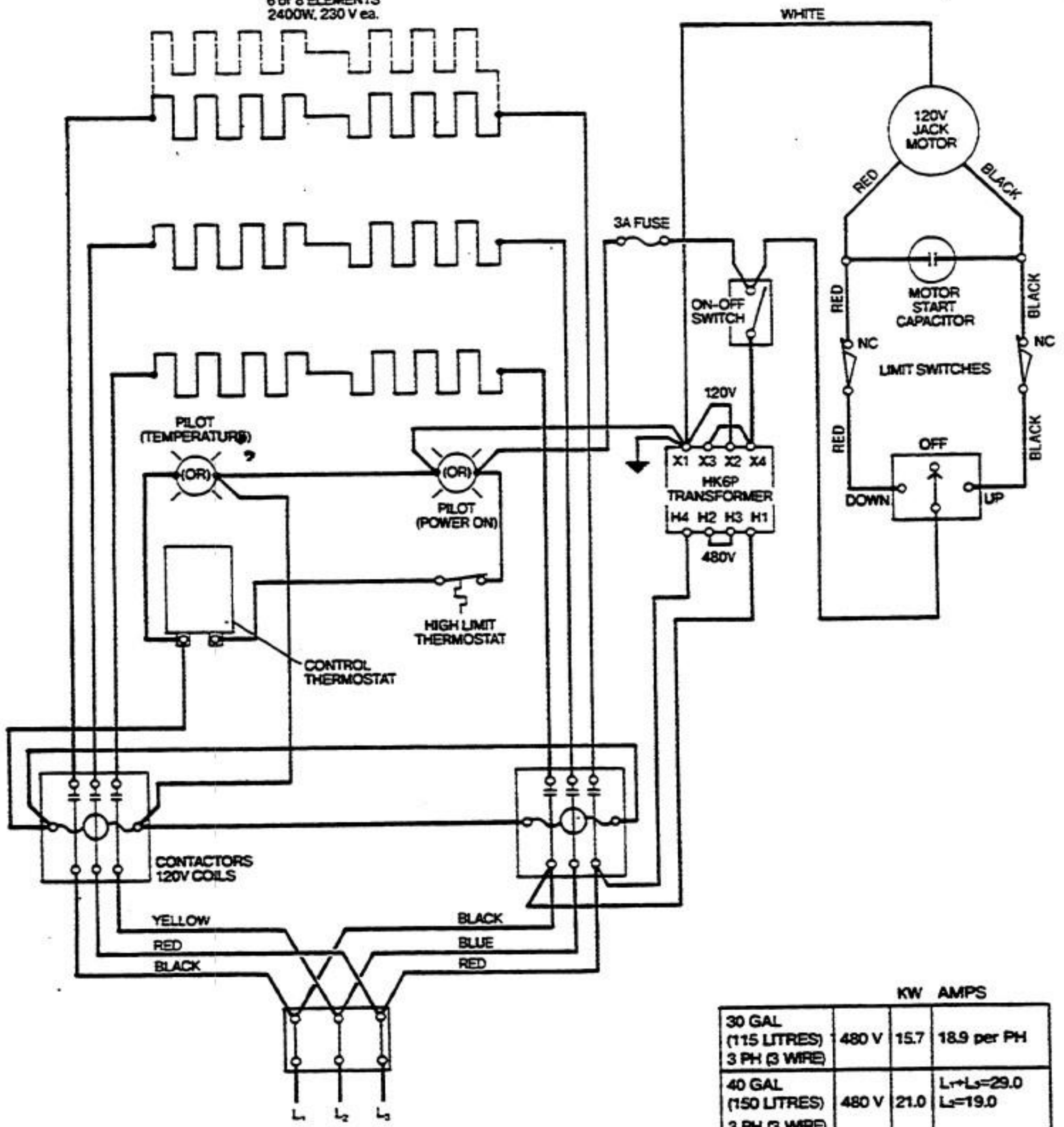


		KW	AMPS
30 GAL (115 LITRES) 1 PH	208 V	11.8	56.8
	220 V	13.1	59.6
	240 V	15.7	65.4
30 GAL (115 LITRES) 3 PH (3 WIRE)	208 V	11.8	34.5 per PH
	220 V	13.1	36.0 per PH
	240 V	15.7	39.3 per PH
40 GAL (150 LITRES) 1 PH	208 V	15.7	75.7
	220 V	17.4	79.4
	240 V	20.9	87.2
40 GAL (150 LITRES) 3 PH (3 WIRE)	208 V	15.7	L <sub>1</sub> = 43.0
			L <sub>2</sub> = 41.3
			L <sub>3</sub> = 50.6
	220 V	17.4	L <sub>1</sub> = 45.1
			L <sub>2</sub> = 43.5
			L <sub>3</sub> = 53.1
	240 V	20.9	L <sub>1</sub> = 49.2
			L <sub>2</sub> = 47.7
			L <sub>3</sub> = 58.0

6 or 8 ELEMENTS  
2400W, 230 V ea.



	KW	AMPS
30 GAL (115 LITRES) 3 PH (3 WIRE)	480 V 15.7	18.9 per PH
40 GAL (150 LITRES) 3 PH (3 WIRE)	480 V 21.0	L <sub>1</sub> →L <sub>2</sub> =29.0 L <sub>2</sub> =19.0