

E-1394
11-08



CK-5, CK-10, CK-15

Non-Refrigerated, Self-Serve Counter Top Displays

INSTALLATION & OPERATION INSTRUCTIONS



KEEP THIS MANUAL FOR FUTURE REFERENCE
Engineering and technical data are subject to change without notice.

FEDERAL INDUSTRIES
Toll Free 1(800) 256-4206

215 Federal Avenue
WI Phone (608) 424-3331

Belleville, WI 53508
Fax: (608) 424-3234

Contents

INTRODUCTION	1
WARNING LABELS & SAFETY INSTRUCTIONS	2
PRE-INSTALLATION PROCEDURES.....	3
INSPECTION FOR SHIPPING DAMAGE	3
INSTALLATION INSTRUCTIONS	3
REMOVING CASE FROM SHIPPING SKID	3
MOUNTING CASE TO COUNTER	4
MOUNTING HOLE LOCATIONS	5
SHELVING	6
PLASTIC DISPLAY CAP REMOVAL	6
DOOR SWING REVERSAL	7
DOOR SWING REVERSAL (CONT'D)	8
CLEANING	8
JOINING KIT INSTALLATION	9-10
ELECTRICAL INFORMATION & GROUNDING	11
OPERATING INSTRUCTIONS	12
INITIAL START-UP	12
CONTROLS	12
SHELVES.....	12
DOORS	12
LIGHT REPLACEMENT	12
CLEANING INSTRUCTIONS	13
DAILY CLEANING	13
WEEKLY CLEANING	13
INTERIOR CLEANING	14
EXTERIOR CLEANING	14
SERVICE INFORMATION	15
PRE-SERVICE CHECKLIST	15
SALE & DISPOSAL	16
OWNER RESPONSIBILITY	16
ELECTRICAL DATA	17
REPLACEMENT PARTS	18
WIRING DIAGRAM	19

INTRODUCTION

Thank you for purchasing a Federal Industries display case. This manual contains important instructions for installing and servicing the CK Non-Refrigerated Counter Top Display Case. A repair parts list and wiring diagram are also included in the manual. Read all of these documents carefully before installing or servicing your case.



NOTICE

Read this manual before installing your case. Keep this manual and refer to it before doing any service on the equipment. Failure to do so could result in personal injury or damage to the case.



NOTICE

Installation and service of the electrical components in the case must be performed by a licensed electrician.

The portions of this manual covering electrical components contain technical instructions intended only for persons qualified to perform electrical work.



DANGER

Improper or faulty hookup of electrical components in the case can result in severe injury or death.

All electrical wiring hookups must be done in accordance with all applicable local, regional, or national standards.

Serial Number

Record the model and serial numbers of the case for easy reference. Always refer to both model and serial numbers in your correspondence regarding the case.

Case Model _____ Serial Number _____

This manual cannot cover every installation, use, or service situation. If you need additional information, call or write us:

Warranty/Technical Service Department

Federal Industries

Toll Free (800) 356-4206

WI Phone (608) 424-3331

geninfo@federalind.com

WARNING LABELS & SAFETY INSTRUCTIONS



This is the safety-alert symbol. When you see this symbol on your case or in the manual, be alert to the potential for personal injury or damage to your equipment.

Be sure you understand all safety messages and always follow recommended precautions and safe operating practices.



Notice to Employers

You must make sure that everyone who installs, uses, or services your case is thoroughly familiar with all safety information and procedures.

Important safety information is presented in this section and throughout the manual. The following signal words are used in the warnings and safety messages:

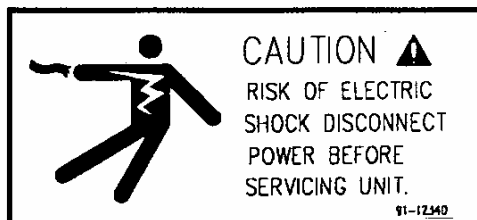
DANGER: Severe injury or death will occur if you ignore the message.

WARNING: Severe injury or death can occur if you ignore the message.

CAUTION: Minor injury or damage to your case can occur if you ignore the message.

NOTICE: This is important installation, operation, or service information. If you ignore the message, you may damage your case.

The warning and safety labels shown throughout this manual are placed on your Federal Industries case at the factory. Follow all warning label instructions. If any warning or safety labels become lost or damaged, call our customer service department at 1(800)356-4206 for replacements.



This label is located under the plastic display cap on top of the case..

PRE-INSTALLATION PROCEDURES


Inspection for Shipping Damage

You are responsible for filing all freight claims with the delivering truck line. Inspect all cartons and crates for damage as soon as they arrive. If damage is noted to shipping crates or cartons or if a shortage is found, note this on the bill of lading (all copies) prior to signing.

If damage is discovered when the case is uncrated, immediately call the delivering truck line and follow up the call with a written report indicating concealed damage to your shipment. Ask for an immediate inspection of your concealed damage item. Crating material must be retained to show the inspector from the truck line.

INSTALLATION INSTRUCTIONS

Removing Case from Shipping Skid

 **CAUTION:** Do not push against the back glass, end glass, doors, door frames, or plastic display cap when removing the case from the skid or moving the case. Case damage or glass breakage could result.

Move the case as near as possible to the final location before removing it from the shipping skid.

Remove the four (4) bolts that secure the case to the skid.

Mounting Case to Counter



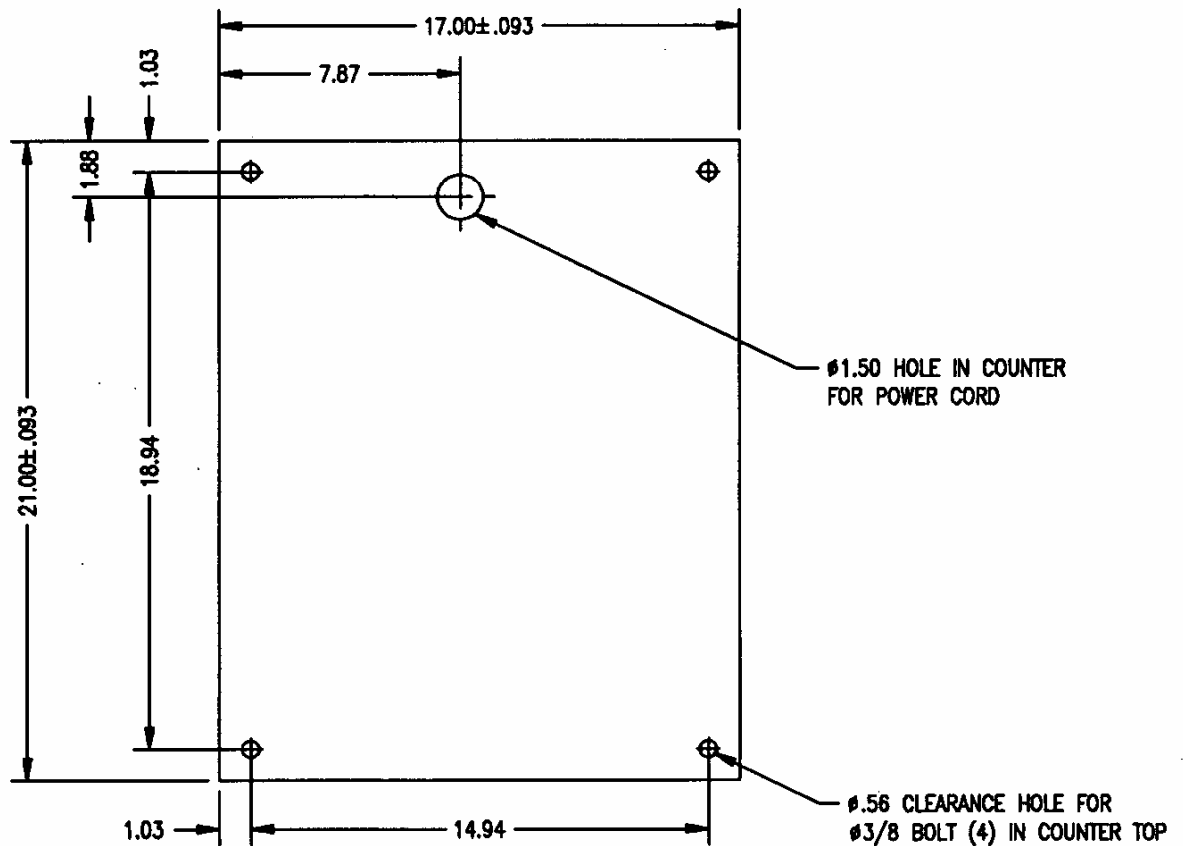
CAUTION: The case must be bolted to the counter top. Case damage or glass breakage could result.

There are four (4) holes in the counter top for bolting the case to the counter and one (1) hole for the case power cord to go through the counter top.

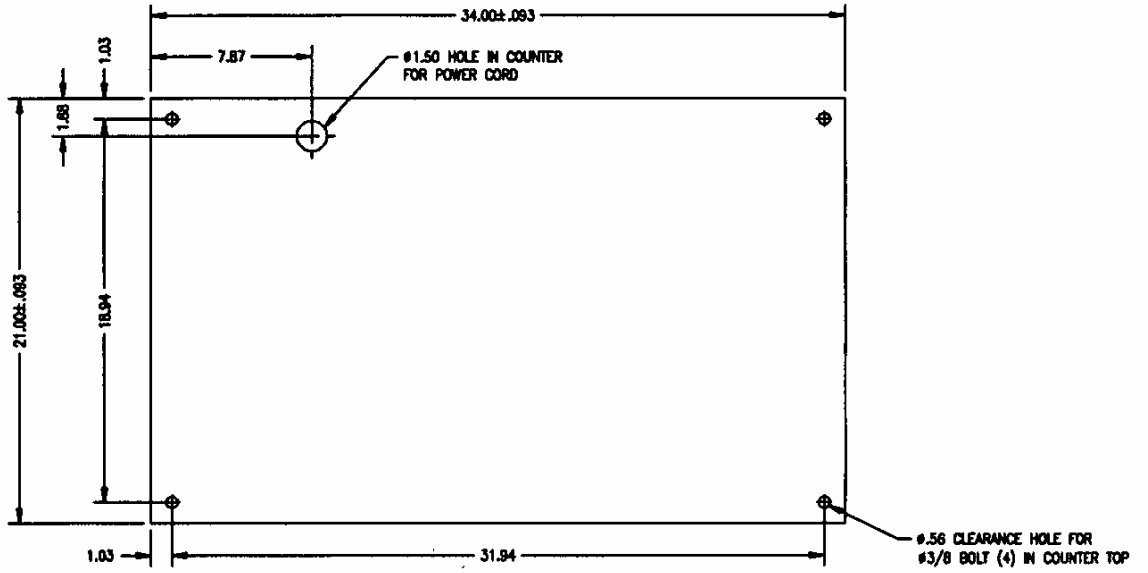
Use the four (4) bolts from the shipping skid to attach the case to the counter top or four (4) bolts with a 3/8-16 thread.

The mounting hole and power cord hole locations in the counter top for the CK5, CK10, and CK15 units should be as shown.

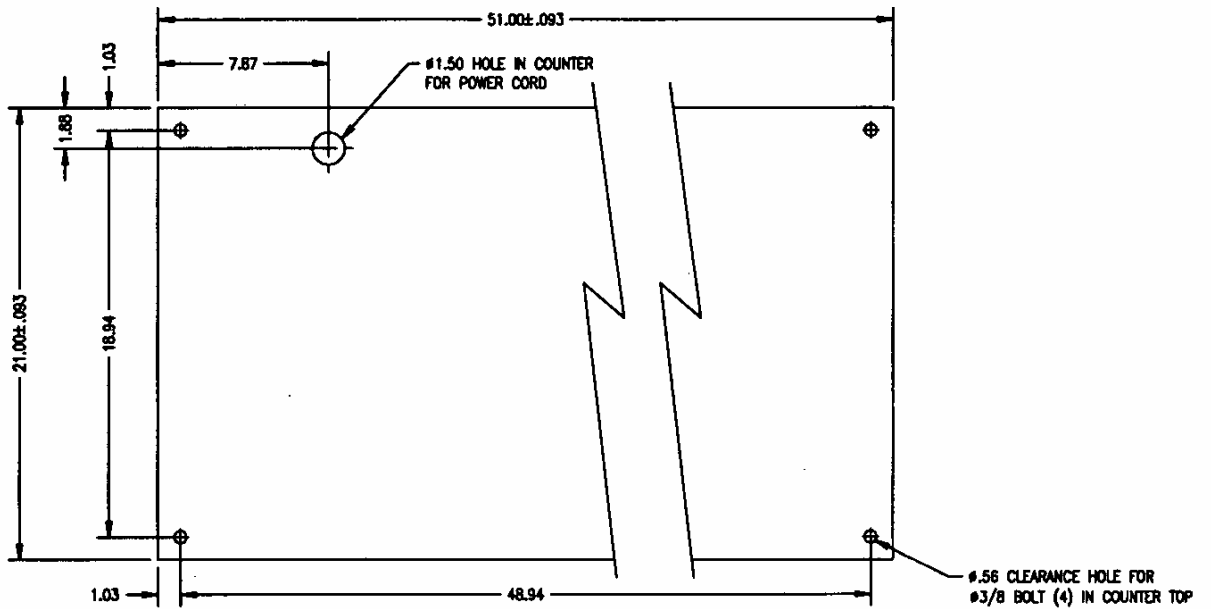
CK5 Hole Locations



CK10 Hole Locations



CK15 Hole Locations

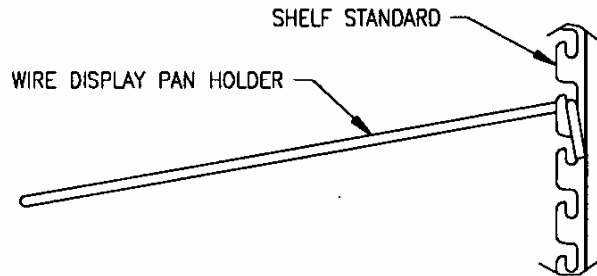


Shelving

The wire display pan holders are designed to hold one (1) half size display pan.

The wire display pan holders are adjustable up and down in $1 \frac{21}{32}$ increments.

Open the front door and install the five (5) wire display pan holders in the desired slots in the shelf standards.



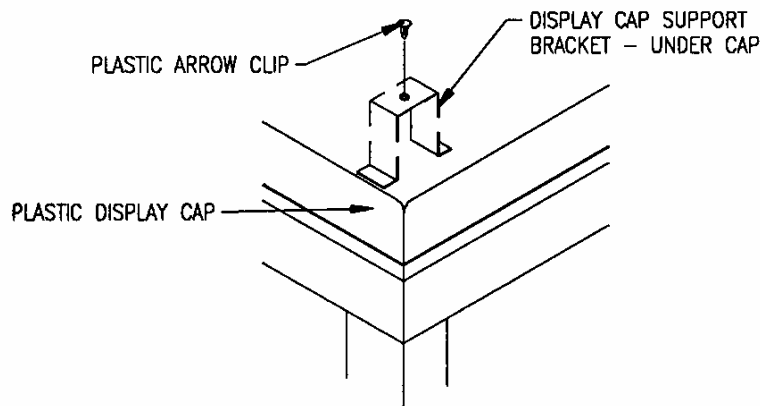
Install the five (5) wire display pan holders for each additional door.

Plastic Display Cap Removal

The opposite hand door springs, extra plugs for the door hinge mounting holes, and extra retainers for the plastic display cap are stored under the plastic display cap.

The plastic display cap will also have to be removed if there is a need to service any of the electrical components in the display ceiling.

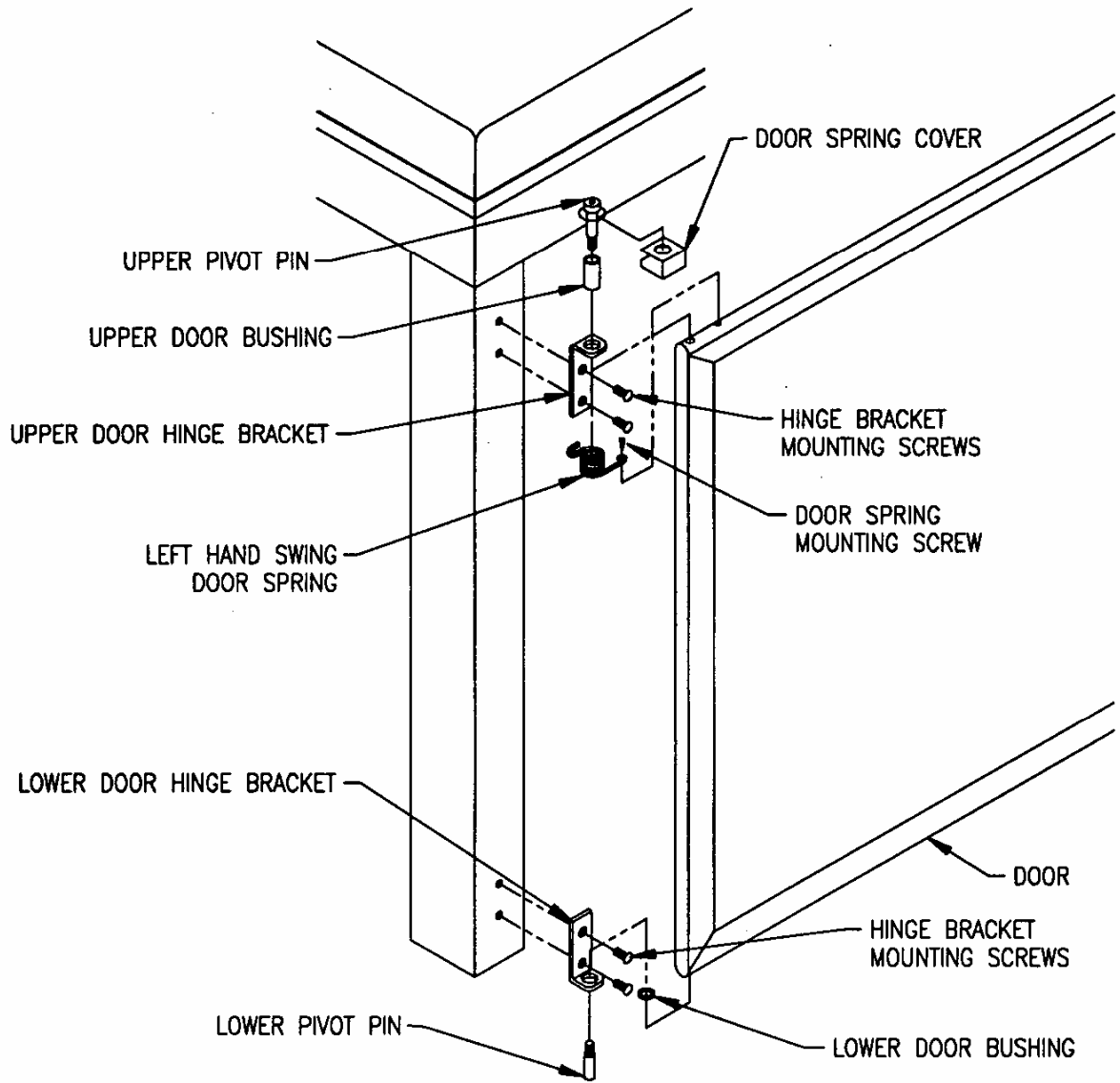
Pry out the four (4) white plastic arrow clips holding the plastic display cap to the case.



Lift the plastic display cap off the case.

To reinstall the plastic display cap, put it back on the case over the supports and push the plastic arrow clips back in the holes.

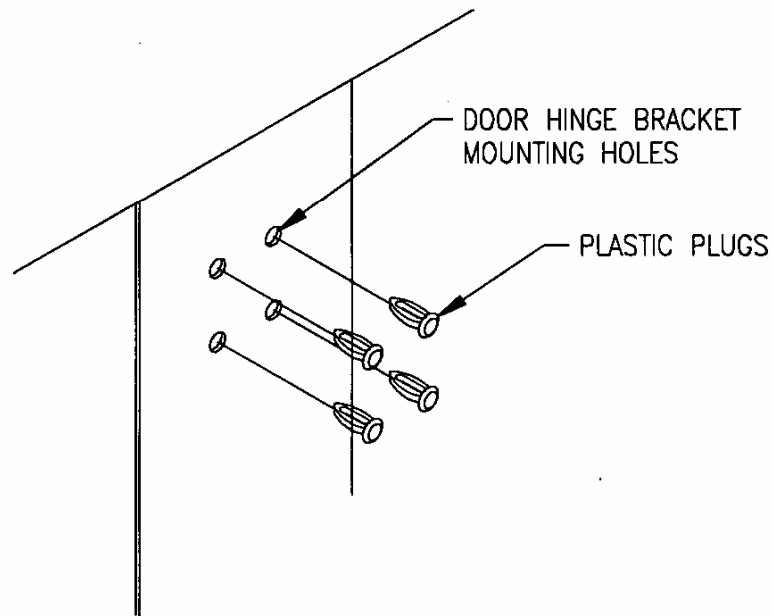
Door Swing Reversal



1. Remove the plastic display cap and get the opposite door spring.

Door Swing Reversal (cont'd)

2. Pry out the four (4) plastic hole plugs for the upper and lower hinge brackets.



3. Remove the upper pivot pin bolt with a 1/8" Allen wrench.
4. Remove the door spring cover.
5. Slide the upper door bushing out of the upper door hinge bracket.
6. Tilt the door away from the case and lift it upward so the lower pivot pin slides out of the lower door hinge bracket.
7. Remove the lower pivot pin, lower door bushing, door spring mounting screw, and door spring from the door.
8. Rotate the door so the handle is on the other side of the door opening and reinstall the lower pivot pin and lower door bushing.
9. Attach the opposite twist door spring to the door with the door spring mounting screw.
10. Remove the door hinge brackets and reinstall them on the other side of the door opening.
11. Reattach the door to the case in reverse order starting with step 6.

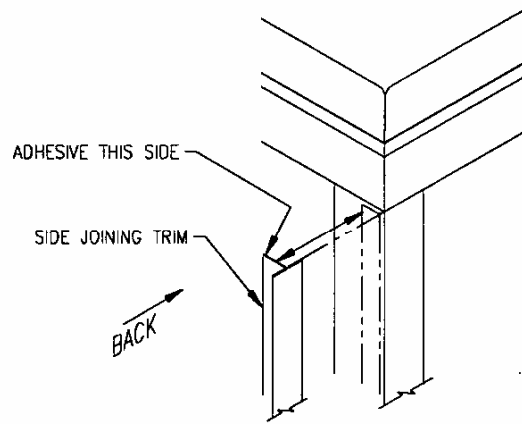
Cleaning

For initial setup, clean the case as outlined in the weekly cleaning section.

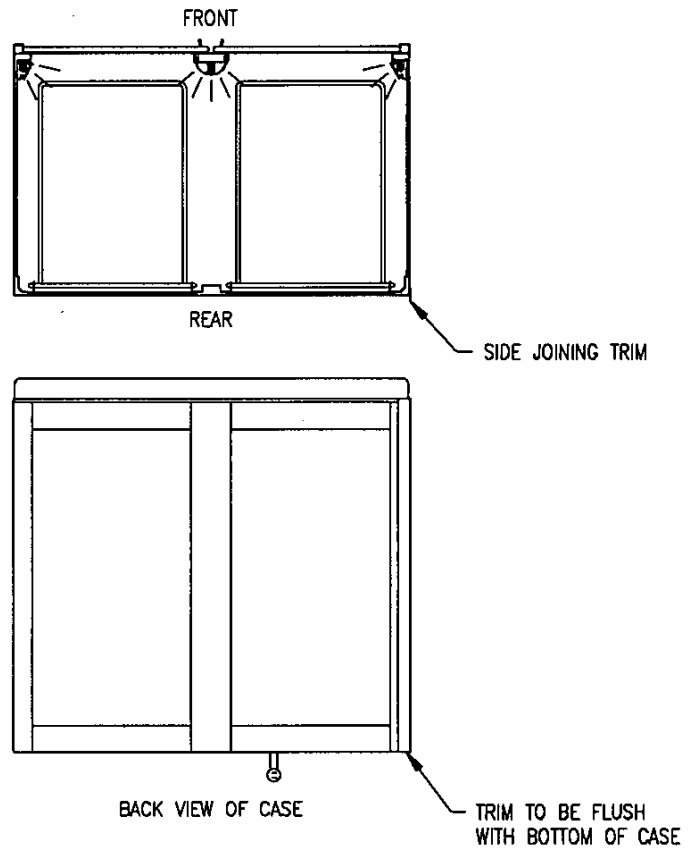
Joining Kit Installation (Optional)

The joining kit trim is set up for cases to be installed back to back.

1. Remove the adhesive release liner from the side joining trim.



2. Attach the side joining trim to the back left corner of the case so that the surface with the adhesive is against the back of the case. The trim should be flush with the bottom of the case and the folded edge tight against the side of the case.

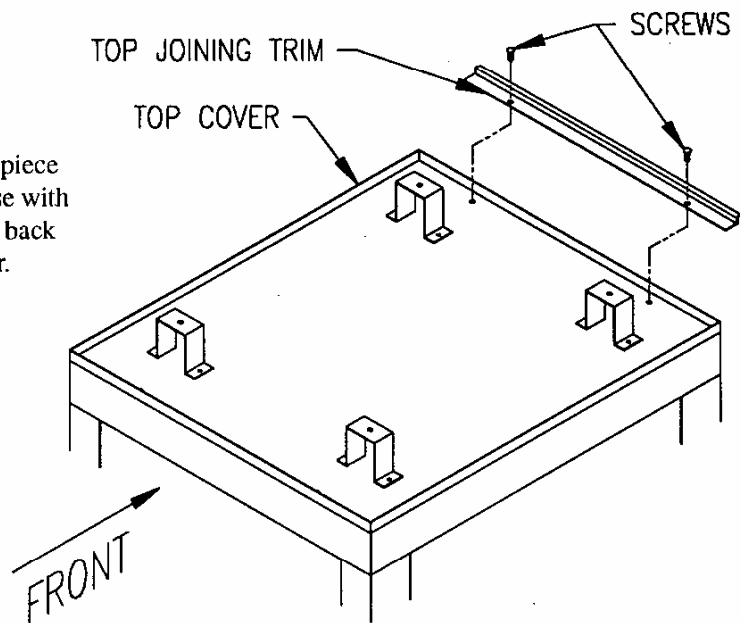


3. Attach the other side joining trim piece to the second case in the same manner.
4. Mount the two cases to the counter with the side joining trim pieces between the backs of the cases.

Joining Kit Installation (Optional) - cont'd

5. Remove the plastic display cap from one of the cases.

6. The top joining trim piece is attached to the case with the screws along the back edge of the top cover.



7. Remove the screws along the back edge of the top cover, and position the top joining trim piece over the holes and reinstall the screws.
8. Reinstall the plastic display cap on the case

ELECTRICAL INFORMATION & GROUNDING

This Case Must Be Grounded



DANGER: Improper or faulty hookup of electrical components in the display case can result in severe injury or death.

All electrical wiring hookups must be done in accordance with all applicable local, regional, or national electrical standards.

The electrical service must be grounded upon installation.

This unit is designed for cord connection to a power source and is equipped with a three-prong grounding plug. The unit should be plugged directly into a properly grounded three prong receptacle.

The electrical cord is accessible from the bottom of the case.



WARNING: Do not cut or remove the round ground prong from the electrical cord/plug.

Consult a licensed electrician if there are any questions regarding the grounding of the mating receptacle.

OPERATING INSTRUCTIONS

Initial Start-Up

After all the checks outlined in the installation section of this manual have been made, the case is ready to be put into service.

Controls

Light Switch

This switch controls the power to the lighting circuit. The rocker switch is in the front left corner of the display ceiling.

Shelves

The case is furnished with five (5) wire display pan holders which are adjustable up and down. To reposition the wire display pan holders:

1. Remove the display pan.
2. Remove the display pan holder wire and reposition it in the desired slots.

Light Replacement

To remove a light, turn the light switch off and rotate the bulb 90° so the pins will slide out of the light sockets.

The bulbs are furnished with plastic safety light shields. Make certain the light shields are always in place to safeguard against bulb breakage.

When replacing lights, use direct equivalents to the original bulbs.

CLEANING INSTRUCTIONS

Daily Cleaning

The case should be cleaned thoroughly, as described in the weekly cleaning section, before it is used for the first time.



NOTICE: Avoid splashing or soaking any electrical components with water to prevent electrical damage to the case.



NOTICE: Shut off light switch and remove all product from case.

Note: For major spills or foreign material buildup use complete weekly cleaning instruction.

1. Clean all foreign materials from the door opening and hinges.
2. Wipe complete interior of case using a damp cloth.
3. The glass can be cleaned with common window cleaners. The remaining exterior surface should be wiped down using any ammoniated cleansers or soapy warm water.

Note: Detergents are **not** recommended.

Weekly Cleaning

This procedure is recommended on a weekly basis. It may need to be performed more often if necessary to maintain a clean, sanitary case. The case should be cleaned to this procedure before using the first time.



NOTICE: Avoid splashing or soaking any electrical components with water to prevent electrical damage to the case.



NOTICE: Shut off light switch and remove all product from case.

Interior Cleaning

1. Remove all shelves from interior of case.
2. Clean the entire interior of the case using warm soapy water. Wipe off all soapy water with a damp cloth and allow to dry.

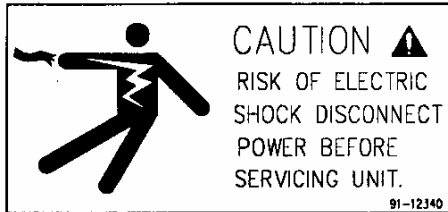
Note: Depending on the amount of usage and spillage of foreign material, some fasteners may have to be removed and parts disassembled to allow proper cleaning of the unit.

3. Clean all shelves using warm soapy water and a brush. Rinse thoroughly and allow to dry.
4. Clean both sides of the door(s), side glass, and back glass using any common window cleaner.
5. Reassemble the case in reverse order starting with Step 1.

Exterior Cleaning

1. Clean the side glass using any common window cleaner.
2. The exterior surfaces should be wiped down using any ammoniated cleansers or warm soapy water.

SERVICE INFORMATION



Before any service work is performed on the case, make sure all power is disconnected to the case.

Service problems or request for repair parts from authorized service agencies, trained service personnel, or owners should be referred to:

Warranty/Technical Service Department
Federal Industries
Toll Free (800) 356-4206
WI Phone (608) 424-3331
geninfo@federalind.com

.....

Pre-Service Checklist

You may avoid the cost and inconvenience of an unnecessary service call by first reviewing this checklist of frequently encountered situations that can cause unsatisfactory case performance.



CAUTION: Before servicing case turn off power at the main breaker of fuse box.

Lights Do Not Operate

Check for disconnected power supply.

Check for tripped breaker or blown fuse.

Check that light switch is on.

Be sure light is properly seated in the sockets.

SALE & DISPOSAL

Owner Responsibility

If you sell or give away your Federal Industries case you must make sure that all safety labels and the Installation-Service Manual are included with it. If you need replacement labels or manuals, Federal Industries will provide them free of charge. Contact the customer service department at Federal Industries at (800) 356-4206.

The customer service department at Federal Industries should be contacted at the time of sale or disposal of your case so records may be kept of its new location.

ELECTRICAL DATA

Models are 120 Volts, 1 Phase, 60 Hertz

	CK5	CK10	CK15
AMPS	1.0	1.5	2.0

Refer to the rating plate data attached to the rear of the case for Maximum Fuse Size and Minimum Circuit Ampacity.

REPLACEMENT PARTS

MODELS CK5, CK10, & CK15

Part Description	Part Number		
<u>Electrical Components</u>			
	<u>CK5</u>	<u>CK10</u>	<u>CK15</u>
Light Switch	41-11066	41-11066	41-11066
Ballast	39-30003	39-30003	39-30003
Starter	42-30218	42-30218	42-30218
Light Socket	42-12948	42-12948	42-12948
Light Bulb	42-30218	42-30218	42-30218
 <u>Misc. Components</u>			
Side Glass	50-12955	50-12955	50-12955
Back Glass	50-12956	50-12956	50-12956
Door	53-12964	53-12964	53-12964
Wire Pan Holder	63-12965	63-12965	63-12965
Door Spring L.H.	66-12966	66-12966	66-12966
Door Spring R.H.	66-12967	66-12967	66-12967
Door Bumper	78-12968	78-12968	78-12968
Door with Gasket	53-13116	53-13116	53-13116
Translucent Gray Plexiglas Back	15-13117	15-13117	15-13117
Light Shield-Corner	M-10610-5	M-10610-5	M-10610-5
Light Shield-Center (10 & 15 Only)		15-12969	15-12969
Display Cap	64-12950	64-12951	64-12952
Decal <i>Electrical Hazard</i>	91-12340	91-12340	91-12340

