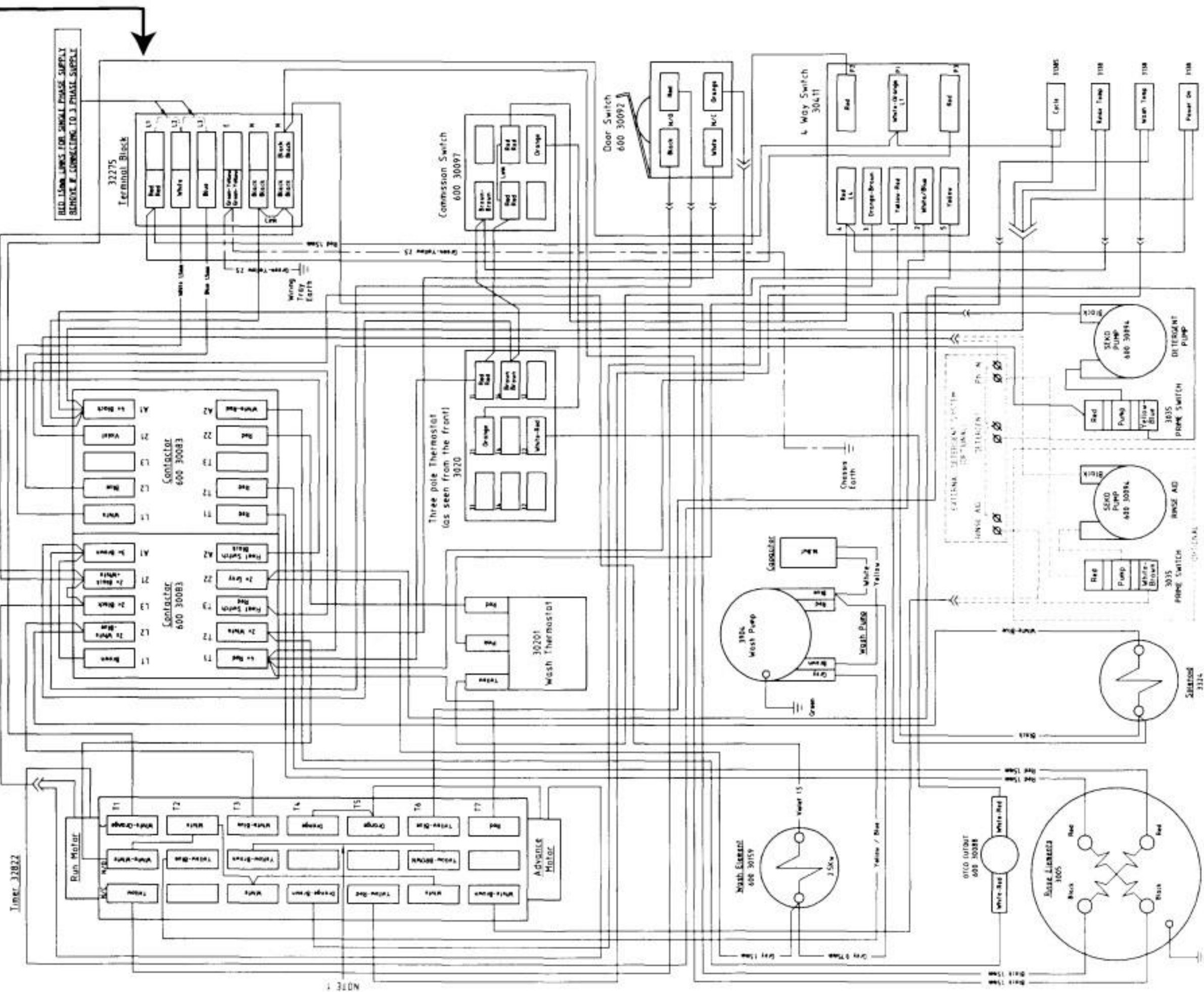


Final Switch

For a more detailed explanation of wiring connections, see page 3 Fig. 2 of Installation section in manual



Timer 32822

RED LINKS FOR SMALL PHASE SUPPLY REMOVE & CONNECT TO 3 PHASE SUPPLY

NOTE 1

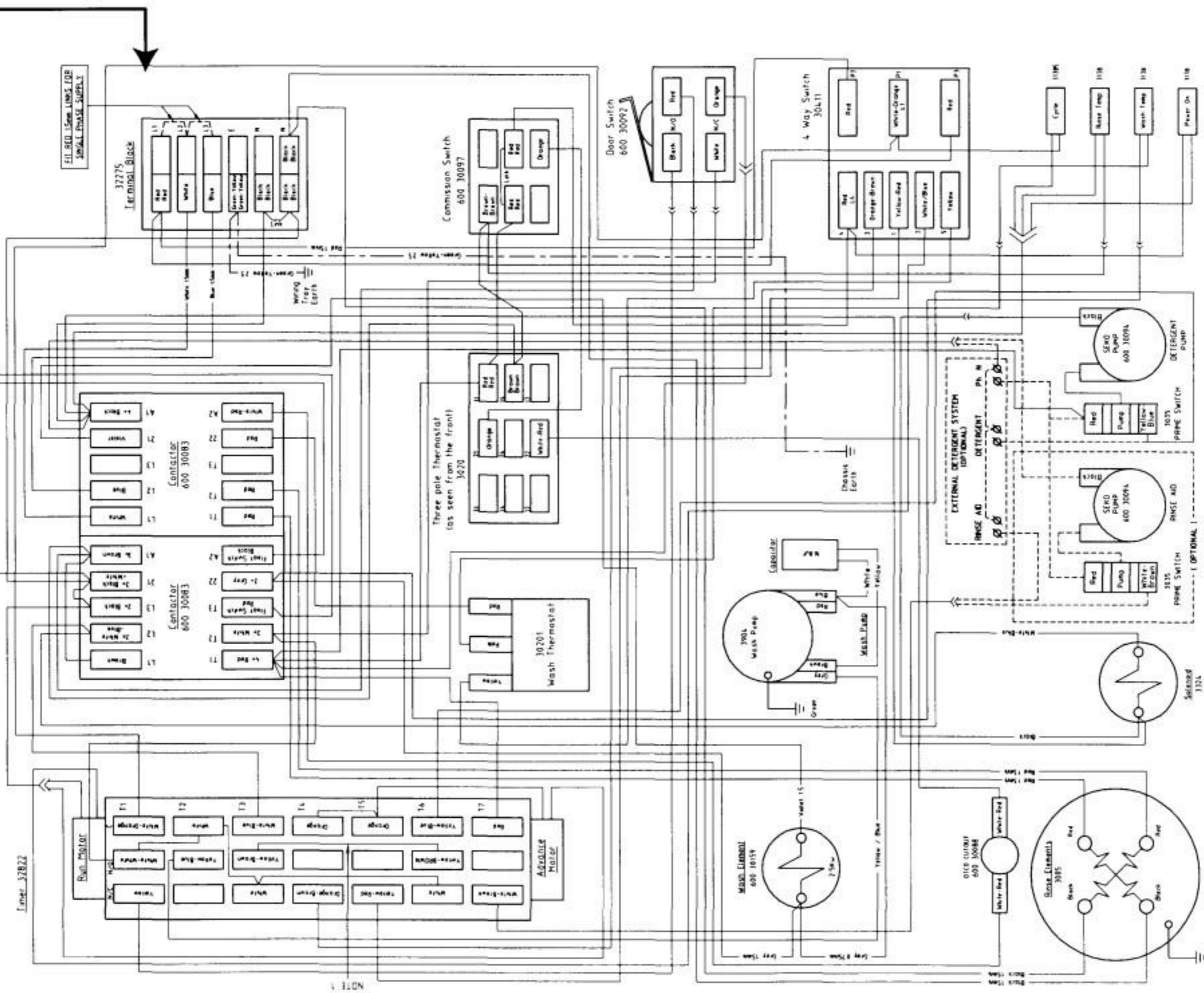
NOTE 1 REMOVE YELLOW-BROWN LINK ON TIMER TO DEACTIVATE DETERGENT PUMP DURING FILLING

Champion[®]
The Dishwashing Machine Specialists

080221	REV C	DATE	7/2602
W-DH ELECTRIC			

Elect. Switch

For a more detailed explanation of wiring connections, see page 3 Fig. 2 of Installation section in manual



NOTE 1

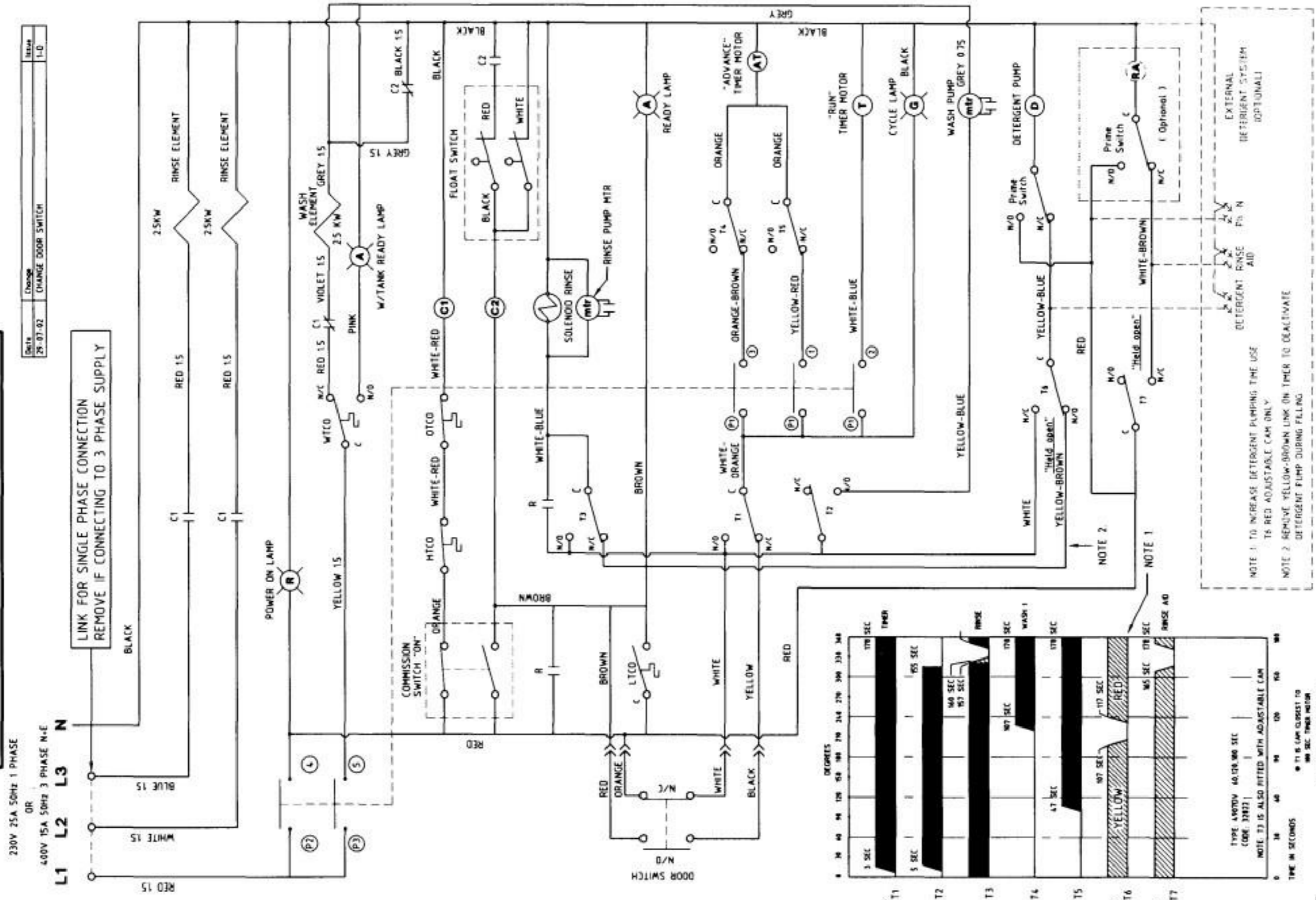
NOTE 1 REMOVE YELLOW-BROWN LINK ON TIMER TO DEACTIVATE DETERGENT PUMP DURING FILLING

Champion[®]
The Dishwashing Machine Specialists

080223	REV C	DATE	7/26/02
--------	-------	------	---------

For a more detailed explanation of wiring connections see page 3 Fig. 2 of Installation section of manual.

Date	Change	Issue
28-07-02	CHANGE DOOR SWITCH	1-0



Champion
The Dishwashing Machine Specialists

W-DH ELECTRIC	DATE
080133	7/28/02

