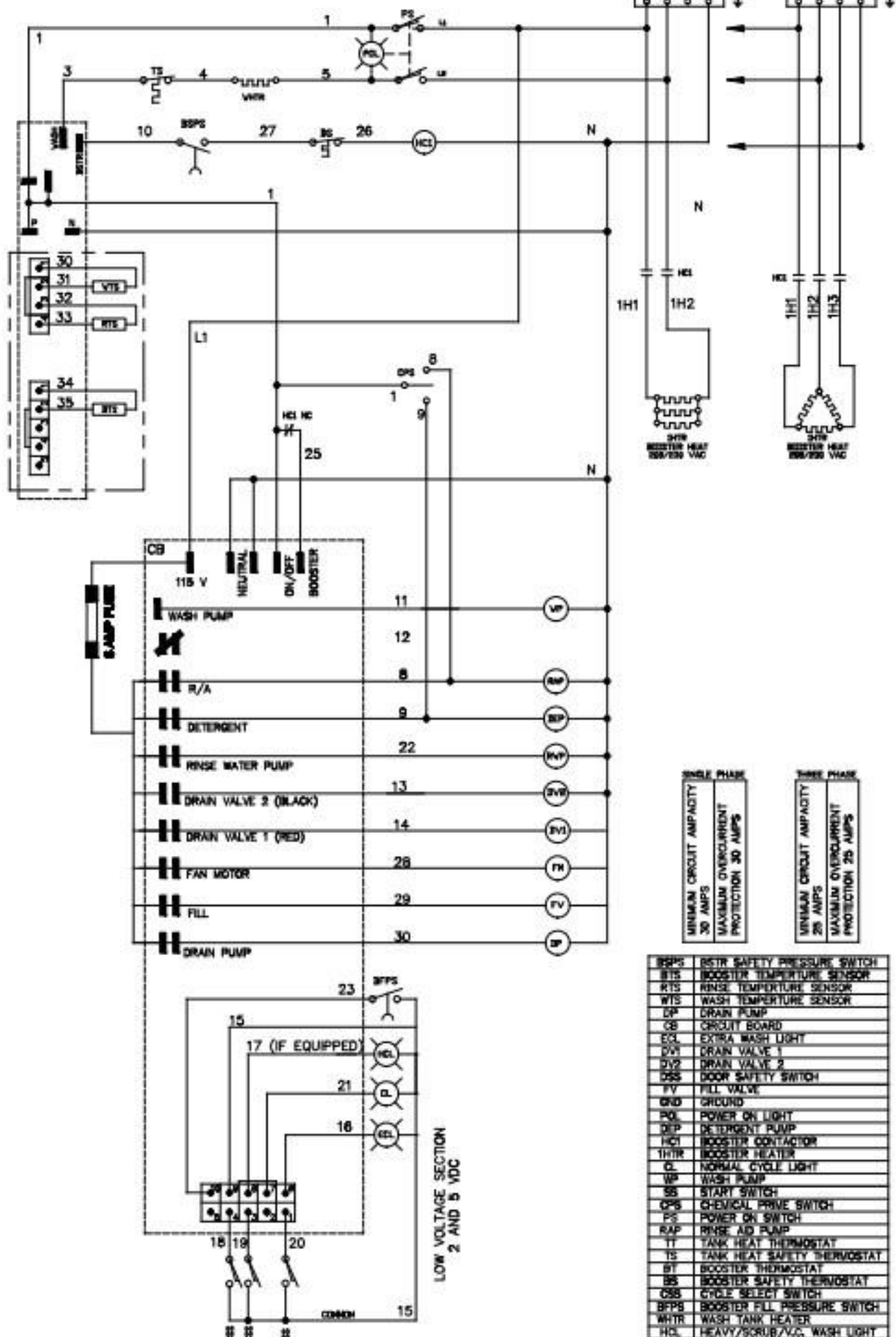


TO CUSTOMER DISCONNECT SWITCH  
FOR LOCAL ELECTRICAL CODES

**SINGLE PHASE**  
115-230V/230V 60HZ

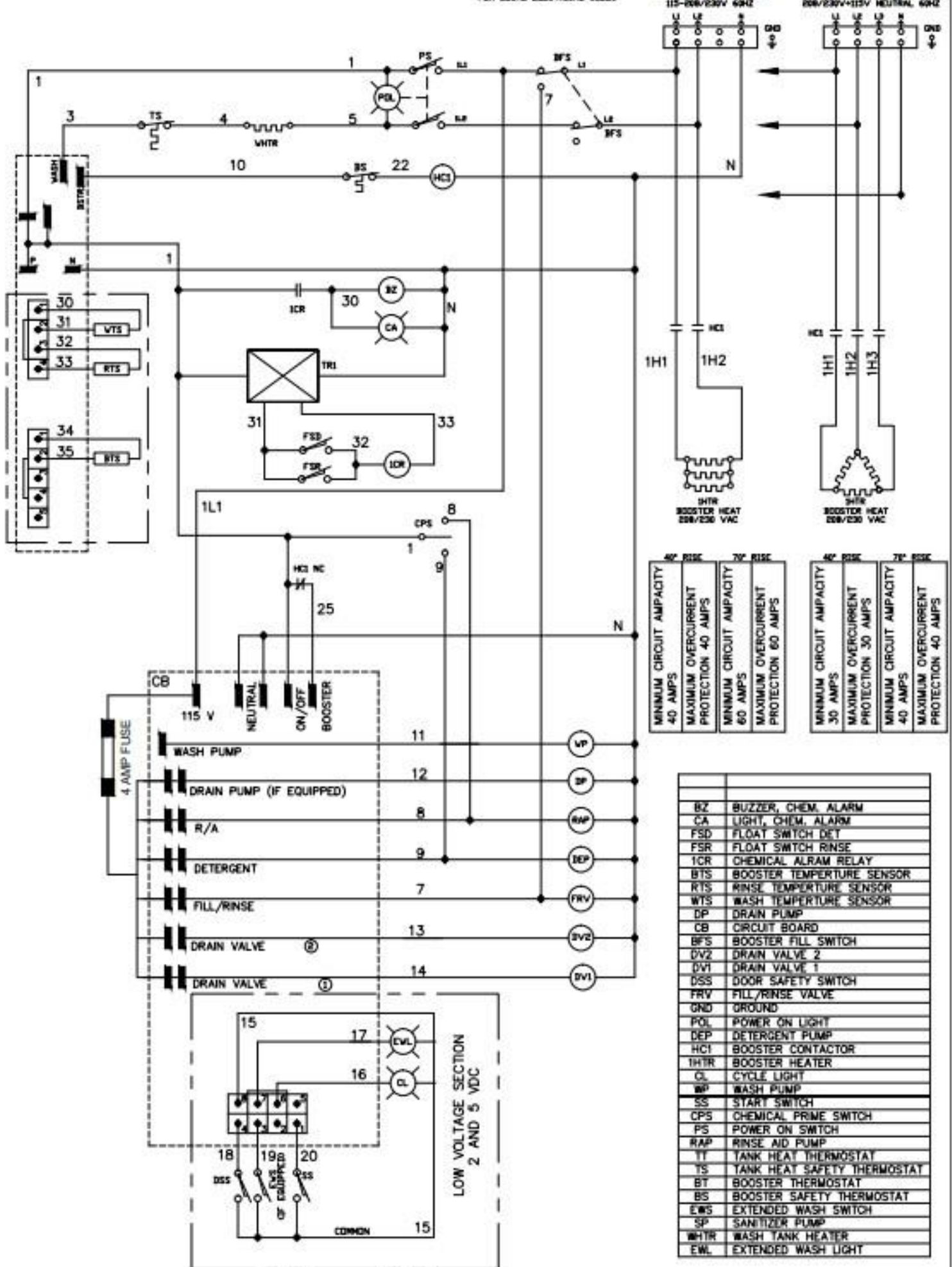
**THREE PHASE**  
208/230V/415V NEUTRAL 60HZ



TO CUSTOMER'S DISCONNECT SWITCH  
PER LOCAL ELECTRICAL CODES

SINGLE PHASE  
115-208/230V 60HZ

THREE PHASE  
208/230V-115V NEUTRAL 60HZ



MINIMUM CIRCUIT AMPACITY	40 AMPS
MAXIMUM OVERCURRENT PROTECTION	40 AMPS
MINIMUM CIRCUIT AMPACITY	60 AMPS
MAXIMUM OVERCURRENT PROTECTION	60 AMPS
MINIMUM CIRCUIT AMPACITY	30 AMPS
MAXIMUM OVERCURRENT PROTECTION	30 AMPS
MINIMUM CIRCUIT AMPACITY	40 AMPS
MAXIMUM OVERCURRENT PROTECTION	40 AMPS

BZ	BUZZER, CHEM. ALARM
CA	LIGHT, CHEM. ALARM
FSD	FLOAT SWITCH DET
FSR	FLOAT SWITCH RINSE
ICR	CHEMICAL ALARM RELAY
BTS	BOOSTER TEMPERATURE SENSOR
RTS	RINSE TEMPERATURE SENSOR
WTS	WASH TEMPERATURE SENSOR
DP	DRAIN PUMP
CB	CIRCUIT BOARD
BFS	BOOSTER FILL SWITCH
DV2	DRAIN VALVE 2
DV1	DRAIN VALVE 1
DSS	DOOR SAFETY SWITCH
FRV	FILL/RINSE VALVE
GRD	GROUND
POL	POWER ON LIGHT
DEP	DETERGENT PUMP
HCI	BOOSTER CONTACTOR
1HTR	BOOSTER HEATER
CL	CYCLE LIGHT
WP	WASH PUMP
SS	START SWITCH
CPS	CHEMICAL PRIME SWITCH
PS	POWER ON SWITCH
RAP	RINSE AID PUMP
TT	TANK HEAT THERMOSTAT
TS	TANK HEAT SAFETY THERMOSTAT
BT	BOOSTER THERMOSTAT
BS	BOOSTER SAFETY THERMOSTAT
EWS	EXTENDED WASH SWITCH
SP	SANITIZER PUMP
WTR	WASH TANK HEATER
EWL	EXTENDED WASH LIGHT

DIAGRAM STATE  
END OF CYCLE  
POWER-OFF  
DOOR-OPEN

DATE	NUMBER/REV
28-JAN-14	0513371-1