

REPLACEMENT PARTS



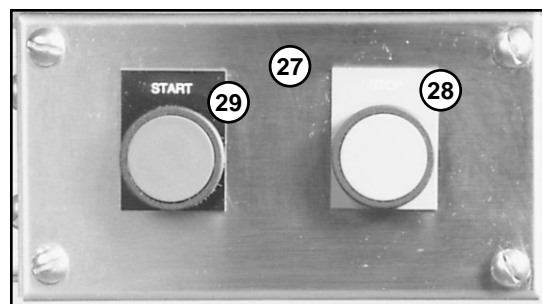
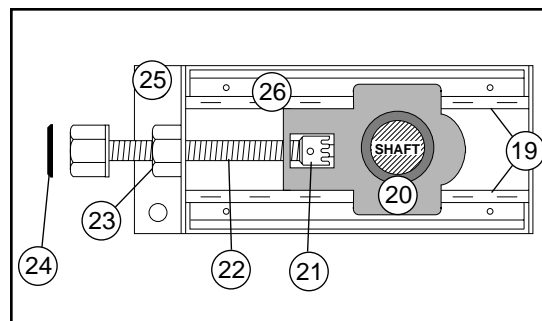
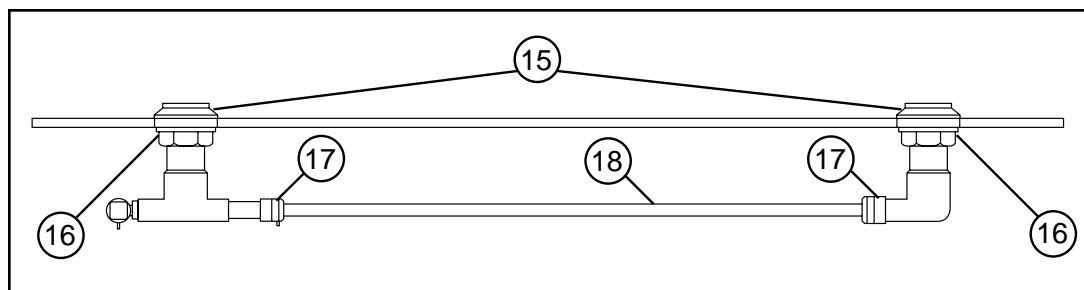
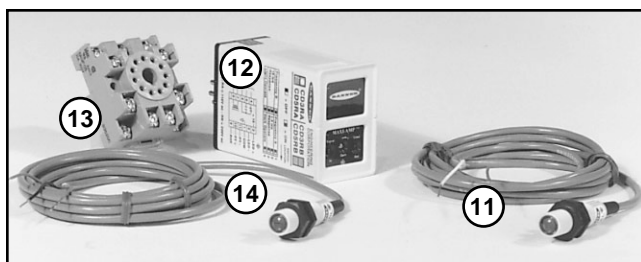
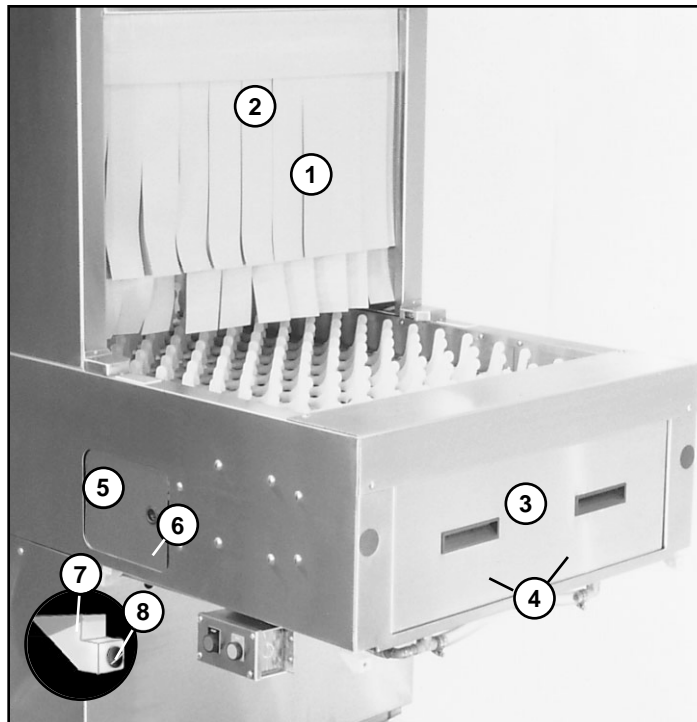
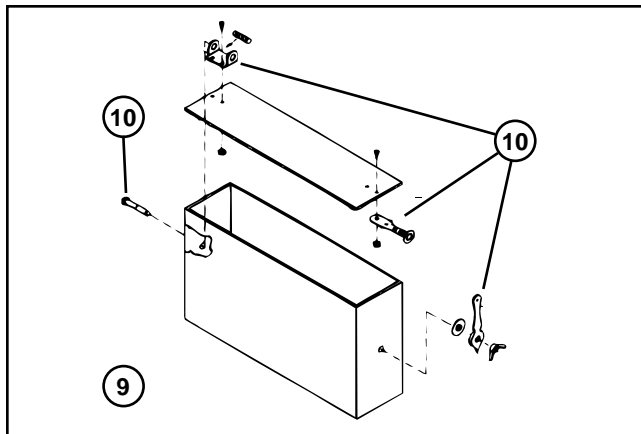
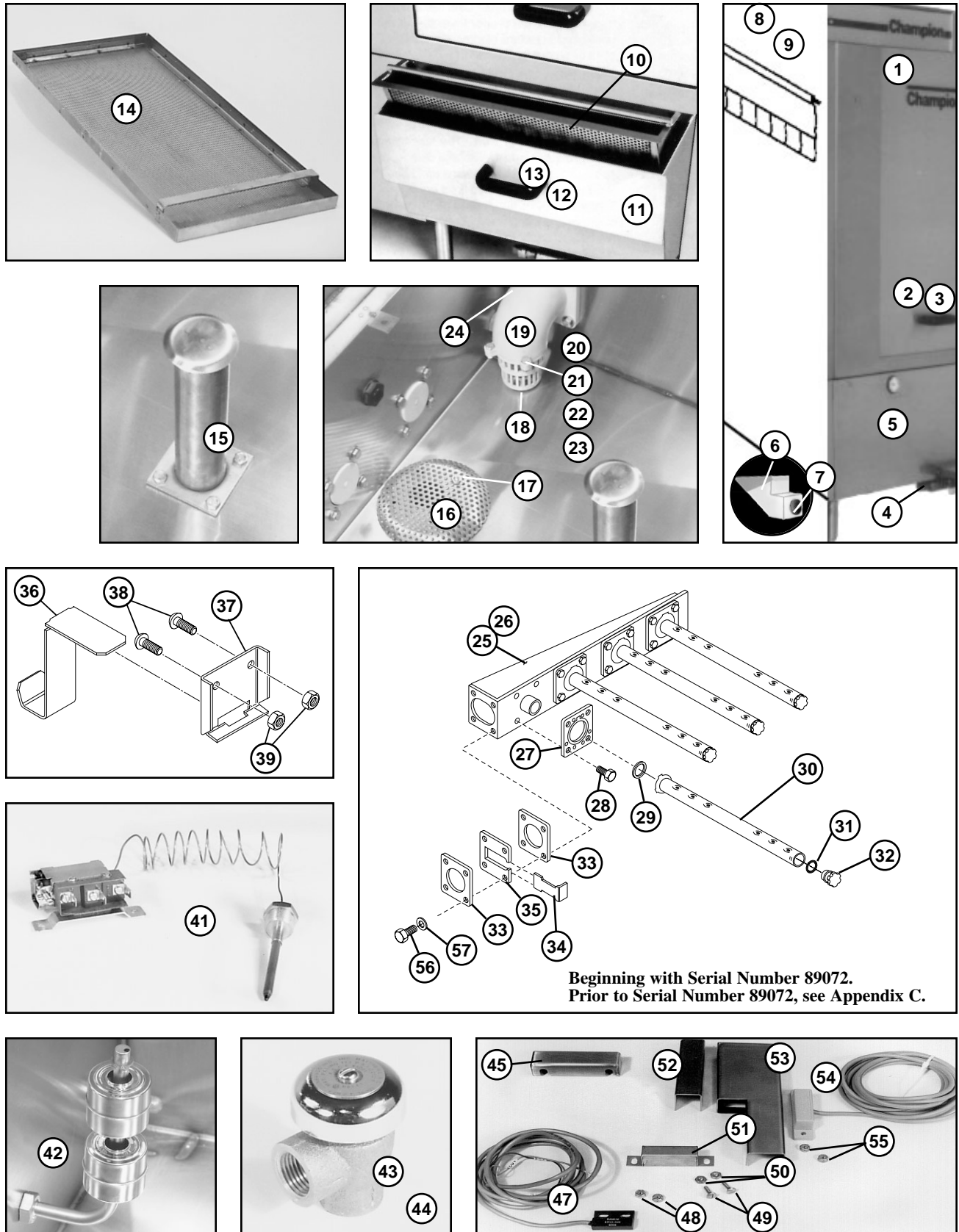


Figure 29 - Load Section

| | | LOAD SECTION | |
|-----------------------------|---------------------|--|------------|
| Fig. 29 Item No. | Part No. | Part Description | Qty |
| 1 | 108572 | Curtain, Long (26 X 19-1/4) UC-C | 1 |
| 1 | 108570 | Curtain, Long (32 X 24-3/4) UC-CW..... | 1 |
| 2 | 108641 | Rod Curtain, (5/16 X 28-1/2) UC-C | 1 |
| 2 | 108642 | Rod, Curtain (5/16 X 33-5/8) UC-CW | 1 |
| 3 | 317136 | Door, Access UC-C..... | 1 |
| 3 | 317135 | Door, Access UC-CW | 1 |
| 4 | 111561 | Handle, Access Door UC-C/CW | 2 |
| 5 | 305626 | Door, Sliding Access | 2 |
| 6 | 108581 | Cap Plug, Sliding Access Door | 2 |
| 7 | 108578 | Bracket, Perimeter Panel..... | 4 |
| 8 | 100073 | Screw, Perimeter Panel (1/4-20 X 20 X 1/2 Truss Head)..... | 4 |
| 9 | 401486 | Stack, Vent (4 X 24)..... | 1 |
| 10 | 201589 | Damper, Regulator Assembly | 1 |
| 11 | 111492 | Receiver, Electric Eye | 1 |
| 12 | 111493 | Module, Logic | 1 |
| 13 | 111494 | Socket, Logic Module | 1 |
| 14 | 111491 | Emitter, Electric Eye | 1 |
| 15 | 106153 | Nozzle, Flushing | 2 |
| 16 | 108417 | Nut, Retaining | 2 |
| 17 | 105994 | Clamp, Hose | 2 |
| 18 | 107935 | Tube (5/8 ID X 15/16 OD)..... | 4-1/2 ft. |
| 19 | 309386 | Track, Take-up Bearing Assembly..... | 4 |
| 20 | 109959 | Bearing, Idler Shaft | 2 |
| 21 | 111082 | Roll Pin..... | 2 |
| 22 | 309397 | Screw, Adjusting | 2 |
| 23 | 107691 | Nut, Jam | 2 |
| 24 | 109029 | Plug, Plastic..... | 2 |
| 25 | 309385 | Bracket, Take-up | 2 |
| 26 | 110085 | Nut, Castle..... | 2 |
| 27 | 406225 | Station, Start/Stop (Complete Assembly) | 1 |
| 28 | 102291 | Nameplate, Stop | 1 |
| 29 | 102290 | Nameplate, Start..... | 1 |
| 30 | 111616 | Contact Block, NC | 1 |
| 31 | 111617 | Contact Block, NO | 1 |
| 32 | 111615 | Pushbutton, RED (Stop)..... | 1 |
| 33 | 111614 | Pushbutton, GREEN (Start) | 1 |



PREWASH SECTION

| Fig. 30 Item No. | Part No. | Part Description | Qty |
|-----------------------------|---------------------|--|------------|
| 1 | 308900 | Door, (12"-B2 Section) UC-C..... | 1 |
| 1 | 307882 | Door, (24"-B3/B4 Section) UC-C..... | 1 |
| 1 | 307891 | Door, (12"-B2 Section) UC-CW..... | 1 |
| 1 | 307458 | Door, (24"-B3/B4 Section) UC-CW..... | 1 |
| 2 | 108966 | Handle, Door UC-C/CW..... | 1 |
| 3 | 110383 | Screw, Door Handle (M8 X 12MM)..... | 2 |
| 4 | 109072 | Valve, Drain..... | 1 |
| 5 | 108391 | Thermometer (4 ft.) Gas Filled (Replaces 113622)..... | 1 |
| 6 | 108578 | Bracket, Perimeter Panel..... | 2 |
| 7 | 100073 | Screw, Perimeter Panel (1/4-20 X 20 X 1/2 Truss Head)..... | 2 |
| 8 | 108573 | Curtain, Short (26 X 14) UC-C..... | 1 |
| 8 | 108571 | Curtain, Short (32 X 19) UC-CW..... | 1 |
| 9 | 108641 | Rod, Curtain (5/16 X 28-1/2) UC-C..... | 1 |
| 9 | 108642 | Rod, Curtain (5/16 X 33-5/8) UC-CW..... | 1 |
| 10 | 310068 | Basket, Refuse (Standard on B2 Section) UC-C/CW..... | 1 |
| 10 | 310308 | Basket, Refuse (Optional on B4 Section) UC-C/CW..... | 1 |
| 11 | 305706 | Cover, Refuse Basket (Standard on B2 Section) UC-C/CW..... | 1 |
| 11 | 305720 | Cover, Refuse Basket (Optional on B4 Section) UC-C/CW..... | 1 |
| 12 | 108966 | Handle, Refuse Basket Cover, (All) UC-C/CW..... | 1 |
| 13 | 100073 | Screw, Handle (1/4-20 X 1/2 Truss hd)..... | 2 |
| 14 | 305763 | Screen, Scrap (B2 Section w/ refuse bucket) UC-C..... | 1 |
| 14 | 305705 | Screen, Scrap (B2 Section w/ refuse bucket) UC-CW..... | 1 |
| 14 | 305705 | Screen, Scrap (B2 Section w/o refuse bucket) UC-CW..... | 1 |
| 14 | 305783 | Screen, Scrap (B4 Section w/ Optional refuse bucket) UC-C... | 1 |
| 14 | 306164 | Screen, Scrap (B4 Section w/o Optional refuse bucket) UC-C. | 1 |
| 14 | 305680 | Screen Scrap (B4 Section w/ Optional refuse bucket) UC-CW | 1 |
| 14 | 305721 | Screen, Scrap (B4 Section w/o Optional refuse bucket) UC-CW | 1 |
| 15 | 308322 | Overflow (7-3/4")..... | 1 |
| 16 | 304816 | Strainer (6" Diameter)..... | 1 |
| 17 | 100141 | Nut, Strainer, Retaining..... | 1 |
| 18 | 108609 | Strainer, Suction..... | 1 |
| 19 | 108608 | Elbow, Suction Strainer..... | 1 |
| 20 | 100736 | Bolt (1/4-20 X 3/4 Hex)..... | 3 |
| 21 | 100003 | Nut, Plain (1/4-20 SST)..... | 3 |
| 22 | 106026 | Washer, Flat..... | 3 |
| 23 | 106482 | Washer, Lock..... | 3 |
| 24 | 104640 | Gasket, Elbow Suction Strainer..... | 1 |
| 25 | 321406 | Upper Manifold UC-C B2 (Not shown)..... | 1 |
| 25 | 320779 | Upper Manifold UC-CW B2 (Not shown)..... | 1 |
| 25 | 321410 | Upper Manifold UC-C B3..... | 1 |
| 25 | 320368 | Upper Manifold UC-CW B3..... | 1 |
| 25 | 321404 | Upper Manifold UC-C B4..... | 1 |
| 25 | 321408 | Upper Manifold UC-CW B4..... | 1 |
| 26 | 321407 | Lower Manifold UC-C B2 (Not Shown)..... | 1 |

PREWASH SECTION (CONT.)

| Fig. 30 Item No. | Part No. | Part Description | Qty |
|---------------------|-------------|--|-----|
| 26 | 320780 | Lower Manifold UC-CW B2 (Not Shown) | 1 |
| 26 | 321411 | Lower Manifold UC-C B3 | 1 |
| 26 | 320369 | Lower Manifold UC-CW B3 | 1 |
| 26 | 321405 | Lower Manifold UC-C B4 | 1 |
| 26 | 321409 | Lower Manifold UC-CW B4 | 1 |
| 27 | 111454 | Locking Plate (Per Spraypipe) | 1 |
| 28 | 111478 | Bolt 10-32 x 1/2 Hex hd SS (Per Locking Plate) | 4 |
| 29 | 111505 | O-Ring, Spraypipe (Per Spraypipe) | 1 |
| 30 | 321473 | Spraypipe UC-C B2 | 2 |
| 30 | 321472 | Spraypipe UC-CW B2 | 2 |
| 30 | 321473 | Spraypipe UC-C B3 | 7 |
| 30 | 321472 | Spraypipe UC-CW B3 | 7 |
| 30 | 321473 | Spraypipe UC-C B4 | 9 |
| 30 | 321472 | Spraypipe UC-CW B4 | 9 |
| 31 | 104414 | O-Ring, Spraypipe End Plug (Per Spraypipe) | 1 |
| 32 | 112240 | Plug, Spraypipe End (Per Spraypipe) | 1 |
| * | 900776 | Spraypipe Assembly UC-C (Includes Items 7, 8 & 9) | |
| * | 900777 | Spraypipe Assembly UC-CW (Includes Items 7, 8 & 9) | |
| 33 | 111456 | Manifold Gasket (Per Manifold)..... | 1 |
| 33 | 111456 | Manifold Gasket (Per Restrictor Plate)..... | 1 |
| 34 | 321307 | Slide, Adjustable Restrictor, Lower Manifold | 1 |
| 35 | 319195 | Plate, Adjustable Restrictor, Lower Manifold | 1 |
| 36 | 317344 | Door Catch Hook | 1 |
| 37 | 317345 | Door Catch Bracket..... | 1 |
| 38 | 100073 | Screw (1/4-20 x 1/2 Truss Head) | 2 |
| 39 | 100141 | Nut, Grip (1/4-20 x 1/2)..... | 1 |
| 41 | 109069 | Thermostat (Optional) Cold Water | 1 |
| 42 | 110854 | Float Switch, Dual..... | 1 |
| 43 | 100500 | Breaker, Vacuum 1/2" | 1 |
| 44 | 108349 | Repair Kit, 1/2" Vacuum Breaker (Not Shown) | 1 |
| 45 | 314187 | Cover, Magnet (Large)..... | 1 |
| 47 | 111090 | Switch, Reed | 1 |
| 48 | 108954 | Nut, Grip (6/32 w/Nylon Insert) | 2 |
| 49 | 100007 | Screw (10-32 x 3/8" Truss Head) | 2 |
| 50 | 100194 | Nut, Grip (10-32) | 2 |
| *51 | 111026 | Magnet, Large | 1 |
| *52 | 314196 | Cover, Magnet..... | 1 |
| *53 | 314197 | Cover, Reed Switch (Large)..... | 1 |
| *54 | 111025 | Switch, Reed (Large) | 1 |
| *55 | 107966 | Nut, Grip (10-32 w/ Nylon Insert)..... | 2 |
| 56 | 100736 | Bolt, 1/4-20 x 3/4 Hex (Per Manifold) | 4 |
| 57 | 106482 | Washer, 1/4 Split Lock (Per Manifold)..... | 4 |

***SPECIAL NOTE:** For machines prior to S/N 87589.
For machines beginning with S/N 87589 refer to page 108, Appendix B.

WASH/RINSE SECTION

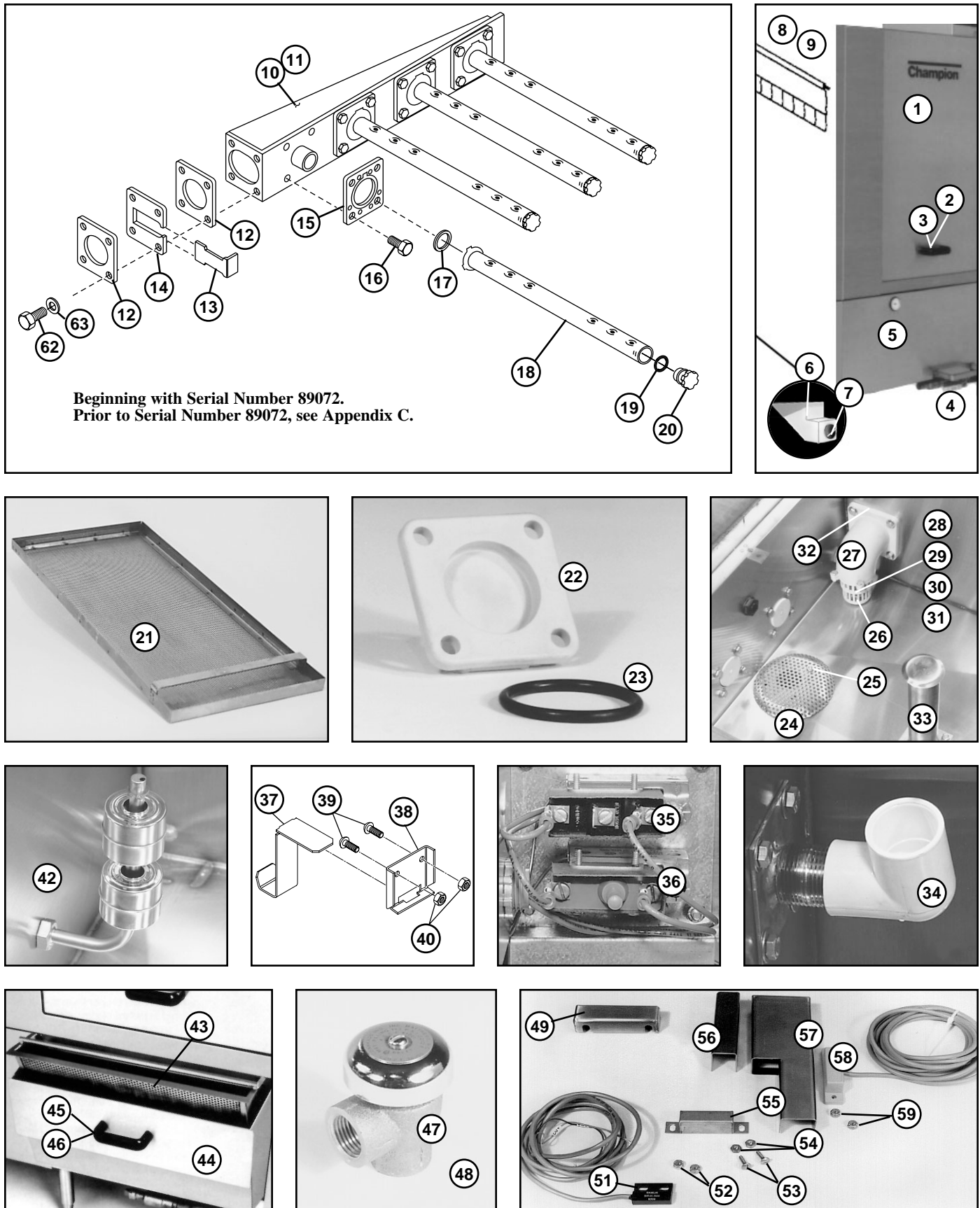


Figure 31 - Wash/Rinse Section

| WASH / RINSE | | | |
|-----------------------------|---------------------|---|------------|
| Fig. 31 Item No. | Part No. | Part Description | Qty |
| 1 | 307882 | Door, (24"-C3/C4 Section) UC-C..... | 1 |
| 1 | 307458 | Door, (24"-C3/C4 Section) UC-CW | 1 |
| 2 | 108966 | Handle, Door UC-C/CW | 1 |
| 3 | 100073 | Screw, Door Handle (1/4-20 X 1/2 Truss hd)..... | 2 |
| 4 | 109072 | Valve, Drain..... | 1 |
| 5 | 113622 | Thermometer (4 ft.) Gas Filled (Replaces 108391)..... | 1 |
| 6 | 108578 | Bracket, Perimeter Panel..... | 2 |
| 7 | 100073 | Screw, Perimeter Panel (1/4-20 X 20 X 1/2 Truss Head)..... | 2 |
| 8 | 108573 | Curtain, Short (26 X 14) UC-C..... | 1 |
| 8 | 108571 | Curtain, Short (32 X 19) UC-CW | 1 |
| 9 | 108641 | Rod, Curtain (5/16 X 28-1/2) UC-C | 1 |
| 9 | 108642 | Rod, Curtain (5/16 X 33-5/8) UC-CW | 1 |
| 10 | 321410 | Upper Manifold UC-C C3 | 1 |
| 10 | 320368 | Upper Manifold UC-CW C3..... | 1 |
| 10 | 321404 | Upper Manifold UC-C C4 | 1 |
| 10 | 321408 | Upper Manifold UC-CW C4..... | 1 |
| 11 | 321411 | Lower Manifold UC-C C3 | 1 |
| 11 | 320369 | Lower Manifold UC-CW C3 | 1 |
| 11 | 321405 | Lower Manifold UC-C C4 | 1 |
| 11 | 321409 | Lower Manifold UC-CW C4 | 1 |
| 12 | 111456 | Manifold Gasket (Per Manifold)..... | 1 |
| 12 | 111456 | Manifold Gasket (Per Restrictor Plate)..... | 1 |
| 13 | 321307 | Slide, Adjustable Restrictor, Lower Manifold | 1 |
| 14 | 319195 | Plate, Adjustable Restrictor, Lower Manifold | 1 |
| 15 | 111454 | Locking Plate, Manifold (Per Spraypipe) | 1 |
| 16 | 111478 | Bolt 10-32 x 1/2 Hex hd SS (Per Locking Plate) | 4 |
| 17 | 111505 | O-Ring, Wash Arm (Per Spraypipe) | 1 |
| 18 | 321473 | Spraypipe, UC-C C3 | 7 |
| 18 | 321472 | Spraypipe, UC-CW C3 | 7 |
| 18 | 321473 | Spraypipe, UC-C C4 | 9 |
| 18 | 321472 | Spraypipe, UC-CW C4 | 9 |
| 19 | 104414 | O-Ring, Sprayarm End Plug (Per Spraypipe)..... | 1 |
| 20 | 112240 | Plug, Spraypipe End (Per Spraypipe) | 1 |
| * | 900776 | Spraypipe Ass'y UC-C (Includes Items 18, 19 & 20)..... | A/R |
| * | 900777 | Spraypipe Ass'y UC-CW (Includes Items 18, 19 & 20)..... | A/R |
| 21 | 308257 | Screen, Scrap (C3 Section w/Optional refuse bucket) UC-C.... | 2 |
| 21 | 308256 | Screen, Scrap (C3 Section w/o Optional refuse bucket) UC-C. | 2 |
| 21 | 305783 | Screen, Scrap (C4 Section w/ Optional refuse basket) UC-C ... | 2 |
| 21 | 306164 | Screen, Scrap (C4 Section w/o Optional refuse bucket) UC-C. | 2 |
| 21 | 308231 | Screen, Scrap (C3 Section w/ Optional refuse bucket) UC-CW | 2 |
| 21 | 308196 | Screen, Scrap (C3 Section w/o Optional refuse bucket) UC-CW | 2 |
| 21 | 305680 | Screen, Scrap (C4 Section w/ Optional refuse bucket) UC-CW | 2 |
| 21 | 305721 | Screen, Scrap (C4 Section w/o Optional refuse bucket) UC-CW | 2 |
| 22 | 109683 | Flange | A/R |
| 23 | 112257 | O-Ring..... | A/R |
| 24 | 304816 | Strainer (6" Diameter)..... | 1 |
| 25 | 100141 | Nut, Strainer, Retaining..... | 1 |
| 26 | 108609 | Strainer, Suction | 1 |

WASH / RINSE (CONT.)

| Fig. 31 Item No. | Part No. | Part Description | Qty |
|---------------------|-------------|---|-----|
| 27 | 108608 | Elbow, Suction Strainer..... | 1 |
| 28 | 100736 | Bolt (1/4-20 X 3/4 Hex)..... | 3 |
| 29 | 100003 | Nut, Plain (1/4-20 SST) | 3 |
| 30 | 106026 | Washer, Flat..... | 3 |
| 31 | 106482 | Washer, Lock..... | 3 |
| 32 | 104640 | Gasket, Suction Strainer Elbow | 1 |
| 33 | 308321 | Overflow 9" (C3 Wash Tank) UC-C/CW | 1 |
| 33 | 305840 | Overflow 9-1/2" (C3 Rinse Tank) UC-C/CW | 1 |
| 33 | 305840 | Overflow 9-1/2" (C4 Wash Tank) UC-C/CW | 1 |
| 33 | 305840 | Overflow 9-1/2" (C4 Rinse Tank) UC-C/CW | 1 |
| 34 | 110852 | Elbow, Cross-flow, 1 X 90° (Wash Tank Only)..... | 1 |
| 35 | 109069 | Thermostat, Control (Steam or Electric)..... | 1 |
| 36 | 110561 | Thermostat, High Limit (Electric Only) | 1 |
| 37 | 317344 | Door Catch Hook | 1 |
| 38 | 317345 | Door Catch Bracket..... | 1 |
| 39 | 100073 | Screw, Door Handle (1/4-20 X 1/2 Truss Head) | 2 |
| 40 | 100141 | Nut, Grip (1/4-20 SST) | 1 |
| 41 | 107999 | Bolt (1/4-20 X 1-3/4 Hex) | 1 |
| 42 | 110854 | Float Switch, Dual (C3 Wash Tank) UC-C/CW | 1 |
| 42 | 111019 | Float Switch, Dual (C3 Rinse Tank) UC-C/CW..... | 1 |
| 42 | 110854 | Float Switch, Dual (C4 Wash/Rinse Tank) UC-C/CW..... | 1 |
| 42 | 110854 | Float Switch, Dual (C4 Wash/Rinse Tank) UC-CW-WS | 1 |
| 43 | 310303 | Basket, Refuse (Optional on C3 Section) UC-C/CW | 1 |
| 43 | 310308 | Basket, Refuse (Optional on C4 Section) UC-C/CW | 1 |
| 44 | 308237 | Cover, Refuse Basket, (Optional on C3 Section) UC-C/CW | 1 |
| 44 | 305720 | Cover, Refuse Basket (Optional on C4 Section) UC-C/CW | 1 |
| 45 | 108966 | Handle, Refuse Basket Cover, (All) UC-C/CW | 1 |
| 46 | 100073 | Screw, Handle (1/4-20 X 1/2 Truss hd) | 2 |
| 47 | 100500 | Breaker, Vacuum 1/2" | 1 |
| 48 | 108349 | Repair Kit, 1/2" Vacuum Breaker (Not Shown) | 1 |
| 49 | 314187 | Cover, Magnet (Large)..... | 1 |
| 51 | 111090 | Switch, Reed | 1 |
| 52 | 108954 | Nut, Grip (6/32 w/ Nylon Insert) | 2 |
| 53 | 100007 | Screw (10-32 X 3/8 Truss Head) | 2 |
| 54 | 100194 | Nut, Grip (10-32) | 2 |
| *55 | 111026 | Magnet, Large | 1 |
| *56 | 314196 | Cover, Magnet..... | 1 |
| *57 | 314197 | Cover, Reed Switch (Large)..... | 1 |
| *58 | 111025 | Switch, Reed (Large) | 1 |
| *59 | 107966 | Nut, Grip (10-32 w/ Nylon Insert)..... | 2 |
| 60 | 100735 | Bolt (1/4-20 X 5/8 Hex) | 9 |
| 61 | 100141 | Nut, Grip (1/4-20 SST) | 9 |
| 62 | 100735 | Bolt 1/4-20 x 5/8 Hex hd SS (Per Manifold)..... | 4 |
| 63 | 106482 | Washer, 1/4 split lock (Per Manifold)..... | 4 |

***SPECIAL NOTE:** For machines prior to S/N 87589.
For machines beginning with S/N 87587 refer to page 108, Appendix B.

ECONORINSE SECTION
(Optional)

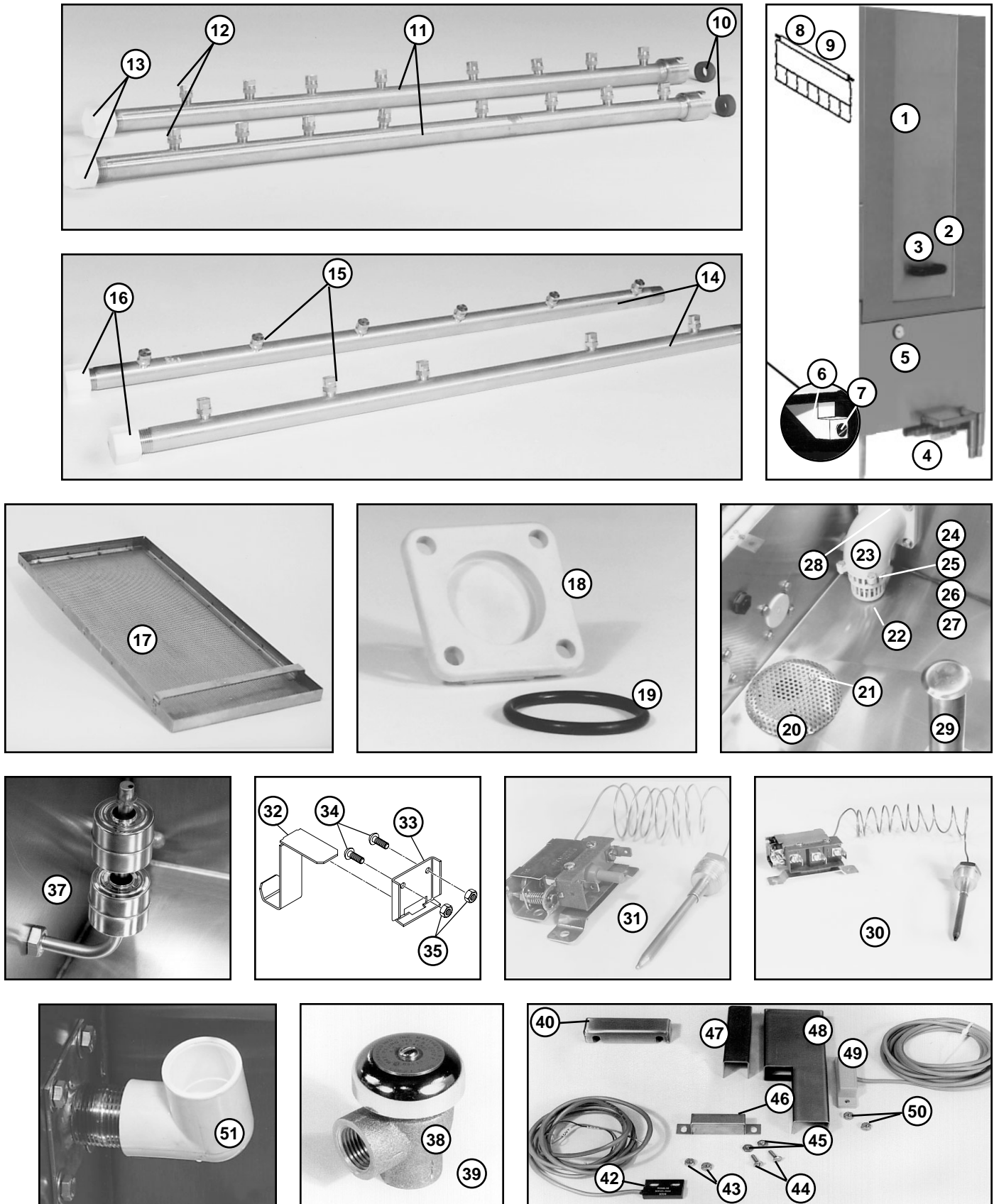


Figure 32 - EconoRinse Section

ECONORINSE SECTION OPTION AVAILABLE ON UC-CW ONLY

| Fig. 32 Item No. | Part No. | Part Description | Qty |
|-----------------------------|---------------------|--|------------|
| 1 | 307891 | Door (12") | 1 |
| 2 | 108966 | Handle, Door | 1 |
| 3 | 100073 | Screw, Door Handle (1/4-20 X 1/2 Truss hd) | 2 |
| 4 | 109072 | Valve, Drain | 1 |
| 5 | 108391 | Thermometer (4 Ft.) | 1 |
| 6 | 108578 | Bracket, Perimeter Panel | 4 |
| 7 | 100073 | Screw, Perimeter Panel (1/4-20 X 20 X 1/2 Truss Head) | 4 |
| 8 | 204949 | Curtain, Short (32 X 10) | 1 |
| 9 | 111695 | Rod, Curtain (5/16 X 32-3/4) | 1 |
| 10 | 111320 | Gasket | 2 |
| 11 | 316182 | Rinse Pipe, EconoRinse | 2 |
| 12 | 180281 | Nozzle, EconoRinse Pipe (1/8" NPT-#8030) | 16 |
| 13 | 106734 | Cap (1/2") | 2 |
| 14 | 313825 | Rinse Pipe, Final Rinse (C8 Section) | 2 |
| 14 | 205127 | Upper Rinse Pipe, Final Rinse (C6 Section) (5 Nozzles) | 1 |
| 14 | 205128 | Lower Rinse Pipe, Final Rinse (C6 Section) (4 Nozzles) | 1 |
| 15 | 180282 | Nozzle, Upper Final Rinse Pipe (C6 Section) (1/8" NPT-#8005) | 5 |
| 15 | 180282 | Nozzle, Lower Final Rinse Pipe (C6 Section) (1/8" NPT-#8005) | 4 |
| 15 | 180282 | Nozzle, Final Rinse Pipe (C8 Section) (1/8" NPT-#8005) | 12 |
| 16 | 106734 | Cap (1/2") | 2 |
| 17 | 305721 | Screen, Scrap | 1 |
| 18 | 109683 | Flange | A/R |
| 19 | 112257 | O-Ring | A/R |
| 20 | 304816 | Strainer (6" Diameter) | 1 |
| 21 | 100141 | Nut, Strainer, Retaining | 1 |
| 22 | 108609 | Strainer, Suction | 1 |
| 23 | 108608 | Elbow, Suction Strainer | 1 |
| 24 | 100736 | Bolt (1/4-20 X 3/4 Hex) | 3 |
| 25 | 100003 | Nut, Plain (1/4-20 SST) | 3 |
| 26 | 106026 | Washer, Flat | 3 |
| 27 | 106482 | Washer, Lock | 3 |
| 28 | 104640 | Gasket, Elbow Suction Strainer | 1 |
| 29 | 305839 | Overflow 10" | 1 |
| 30 | 109069 | Thermostat, Control (Steam or Electric) | 1 |
| 31 | 110561 | Thermostat, High Limit (Electric Only) | 1 |
| 32 | 317344 | Door Catch Hook | 1 |
| 33 | 317345 | Door Catch Bracket | 1 |
| 34 | 100073 | Screw (1/4-20 X 1/2 Truss Head) | 2 |
| 35 | 100141 | Nut, Grip (1/4-20 X 1/2) | 1 |
| 36 | 107999 | Bolt (1/4-20 X 1-3/4 Hex) | 1 |

ECONORINSE SECTION (CONT.)

| Fig. 32 Item No. | Part No. | Part Description | Qty |
|-----------------------------|---------------------|---|------------|
| 37 | 110854 | Float Switch, Dual..... | 1 |
| 38 | 100500 | Breaker, Vacuum 1/2" | 1 |
| 39 | 108349 | Repair Kit, 1/2" Vacuum Breaker (Not Shown) | 1 |
| 40 | 314187 | Cover, Magnet (Large) | 1 |
| 42 | 111090 | Switch, Reed | 1 |
| 43 | 108954 | Nut, Grip (6/32 w/ Nylon Insert) | 2 |
| 44 | 100007 | Screw (10-32 X 3/8" Truss Head) | 2 |
| 45 | 100194 | Nut, Grip (10-32) | 2 |
| *46 | 111026 | Magnet, Large | 1 |
| *47 | 314196 | Cover, Magnet | 1 |
| *48 | 314197 | Cover, Reed Switch (Large)..... | 1 |
| *49 | 111025 | Switch, Reed (Large) | 1 |
| *50 | 107966 | Nut, Grip (10-32 w/ Nylon Insert) | 2 |
| 51 | 110852 | Elbow, Cross-Flow 1 x 90° | 1 |

[See Appendix A for the operation of the Optional UC-CW EconoRinse Section]

***SPECIAL NOTE:** For machines prior to S/N 87589.
For machines beginning with S/N 87589 refer to page 108, Appendix B.

UNLOAD SECTION

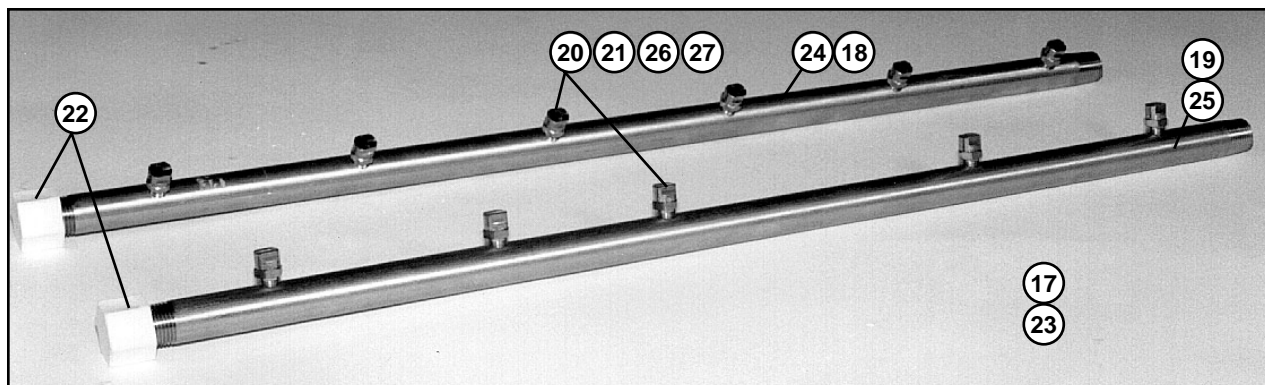
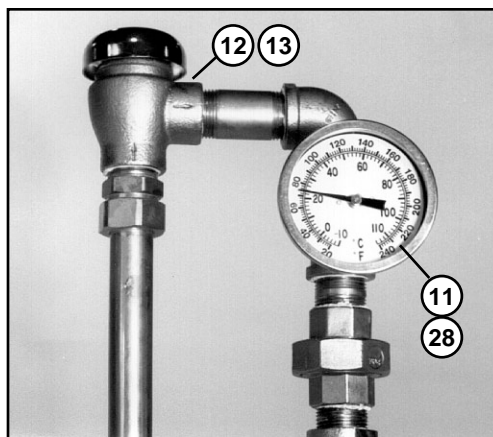
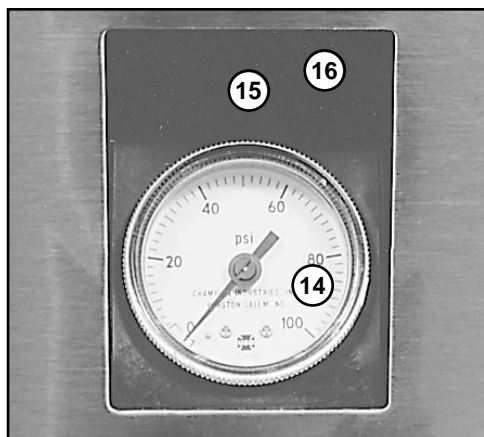
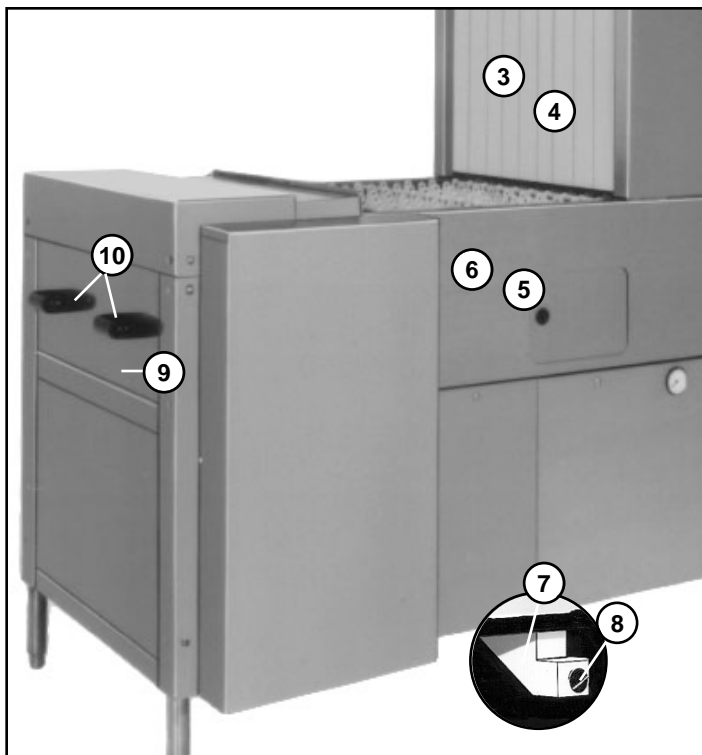
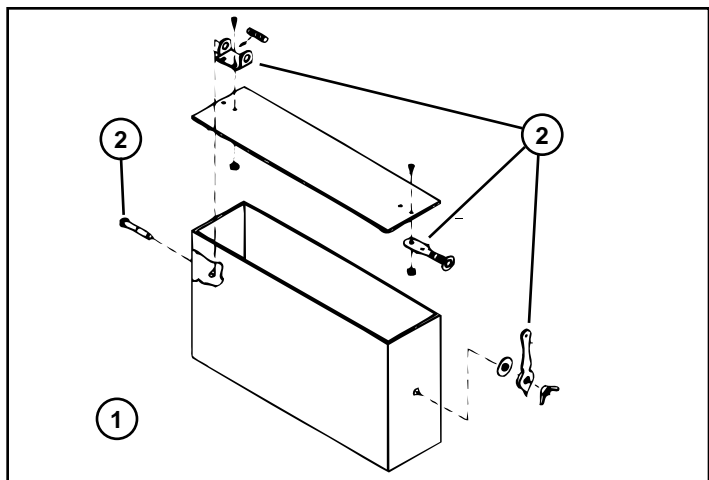


Figure 33 - Unload Section

UNLOAD SECTION

| Fig. 33 Item No. | Part No. | Part Description | Qty |
|-----------------------------|---------------------|---|------------|
| 1 | 401486 | Stack, Vent (4 X 24)..... | 1 |
| 2 | 201589 | Damper, Regulator Assembly | 1 |
| 3 | 108572 | Curtain, Long (26 X 19-1/4) UC-C | 1 |
| 3 | 108570 | Curtain, Long (32 X 24-3/4) UC-CW..... | 1 |
| 4 | 108641 | Rod, Curtain (5/16 X 28-1/2) UC-C | 1 |
| 4 | 108642 | Rod, Curtain (5/16 X 33-5/8) UC-CW | 1 |
| 5 | 305626 | Door, Sliding Access | 2 |
| 6 | 108581 | Grommet, Sliding Access Door | 2 |
| 7 | 108578 | Bracket, Perimeter Panel..... | 4 |
| 8 | 100073 | Screw, Perimeter Panel (1/4-20 X 20 X 1/2 Truss Head)..... | 4 |
| 9 | 317136 | Door, Access UC-C..... | 1 |
| 9 | 317135 | Door, Access UC-CW | 1 |
| 10 | 111561 | Handle, Access Door UC-C/CW | 2 |
| 11 | 104682 | Thermometer, Final Rinse..... | 1 |
| 12 | 104429 | Breaker, Vacuum (3/4")..... | 1 |
| 13 | 108351 | Repair Kit, Vacuum Breaker (3/4") (Not Shown)..... | 1 |
| 14 | 109812 | Gauge, Pressure (0-100 PSI)..... | 1 |
| 15 | 110244 | Support, Pressure Gauge | 1 |
| 16 | 107414 | Tubing, Pressure Gauge (Not Shown) | 4 ft. |
| 17 | 311403 | Manifold, Final Rinse, UC-C (Not Shown)..... | 1 |
| 18 | 313826 | Upper Pipe, Final Rinse, UC-C (Not Shown) | 1 |
| 19 | 205130 | Lower Pipe, Final Rinse, UC-C (Not Shown) | 1 |
| 20 | 104005 | Nozzle, Upper Final Rinse Pipe, (1/8" NPT-#8010) UC-C | 5 |
| 21 | 104005 | Nozzle, Lower Final Rinse Pipe, (1/8" NPT-#8010) UC-C | 4 |
| 22 | 106734 | Cap (1/2") UC-C/CW..... | 2 |
| 23 | 311402 | Manifold, Final Rinse UC-CW (Not Shown) | 1 |
| 24 | 313825 | Upper Pipe, Final Rinse, UC-CW..... | 1 |
| 25 | 317343 | Lower Pipe, Final Rinse, UC-CW | 1 |
| 26 | 104005 | Nozzle, Upper Final Rinse Pipe, (1/8" NPT-#8010) UC-CW ... | 6 |
| 27 | 104005 | Nozzle, Lower Final Rinse Pipe, (1/8" NPT-#8010) UC-CW... | 5 |
| 28 | 104748 | Overlay, gauge (180°-195°)..... | 1 |

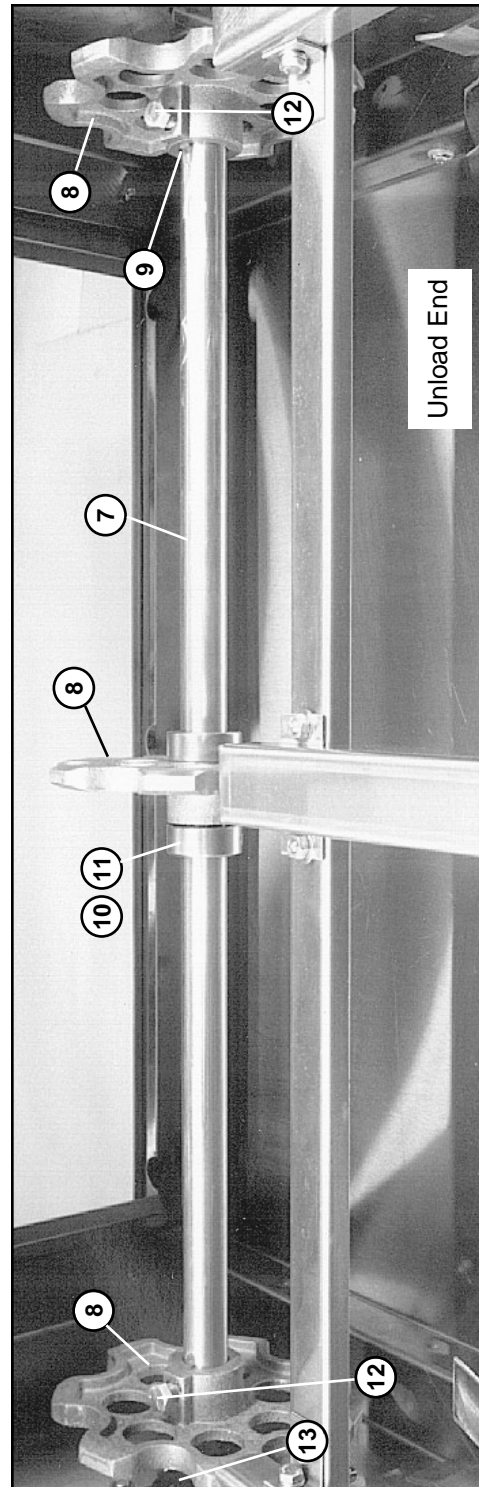
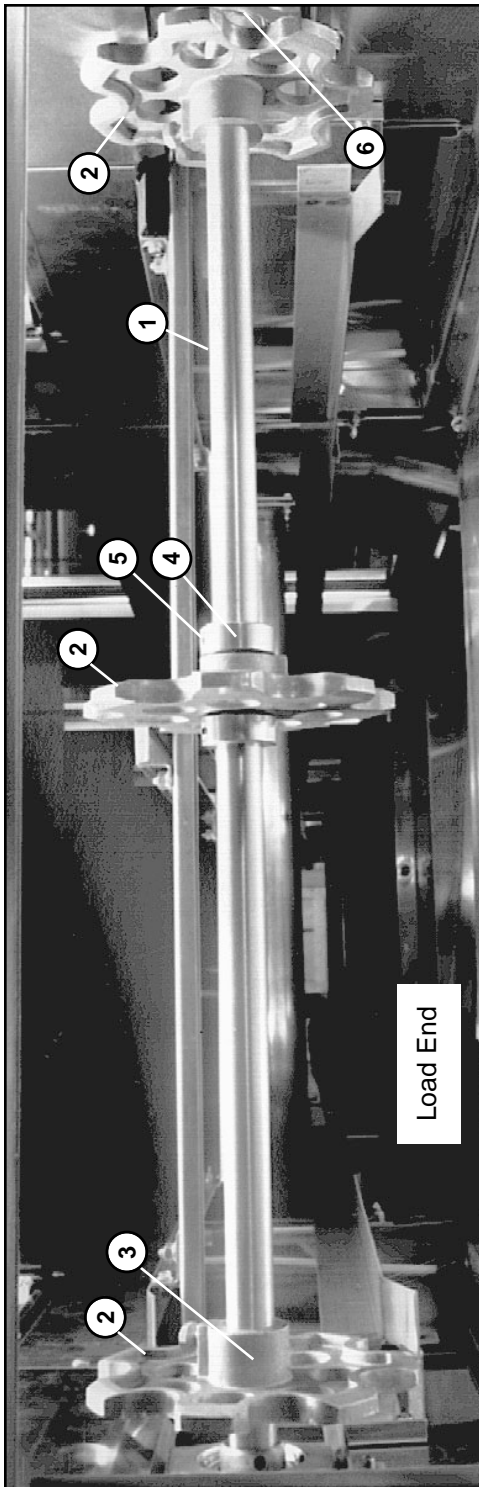


Figure 34 - Drive Shaft Assembly

DRIVE SHAFT ASSEMBLY

| Fig. 34 Item No. | Part No. | Part Description | Qty. |
|-----------------------------|---------------------|---|-------------|
| 1 | 108955 | Shaft, Idle (1 X 28-7/16) UC-C | 1 |
| 1 | 108869 | Shaft, Idle (1 X 33-5/8) UC-CW | 1 |
| 2 | 108434 | Sprocket, Conveyor Belt, UC-C | 2 |
| 2 | 108434 | Sprocket, Conveyor Belt, UC-CW | 3 |
| 3 | 107305 | Key (1/4 X 1/4 X 1-1/2)..... | A/R |
| 4 | 104713 | Collar, (1") UC-C..... | 2 |
| 4 | 104713 | Collar (1") UC-CW..... | 4 |
| 5 | 106457 | Set Screw (3/8-16 X 1/2) | A/R |
| 6 | 403980 | Take-up Assembly (RH/LH) UC-C/CW | 2 |
| 7 | 108870 | Shaft, Drive (1 X 32-13/16) UC-C | 1 |
| 7 | 108868 | Shaft, Drive (1 X 38-1/16) UC-CW | 1 |
| 8 | 108434 | Sprocket, Conveyor Belt, UC-C | 2 |
| 8 | 108434 | Sprocket, Conveyor Belt, UC-CW..... | 3 |
| 9 | 107305 | Key (1/4 X 1/4 X 1-1/2)..... | A/R |
| 10 | 104713 | Collar (1") UC-C..... | 2 |
| 10 | 104713 | Collar (1") UC-CW..... | 4 |
| 11 | 106457 | Set Screw (3/8-16 X 1/2) | A/R |
| 12 | 111480 | Bolt, Sprocket Retaining (3/8-16 X 3/4)..... | A/R |
| 13 | 109958 | Bearing, Drive UC-C/CW | 2 |
| 14 | 109388 | Shock Absorber, Grommet (Located on drive shaft) (Not Shown) | 2 |

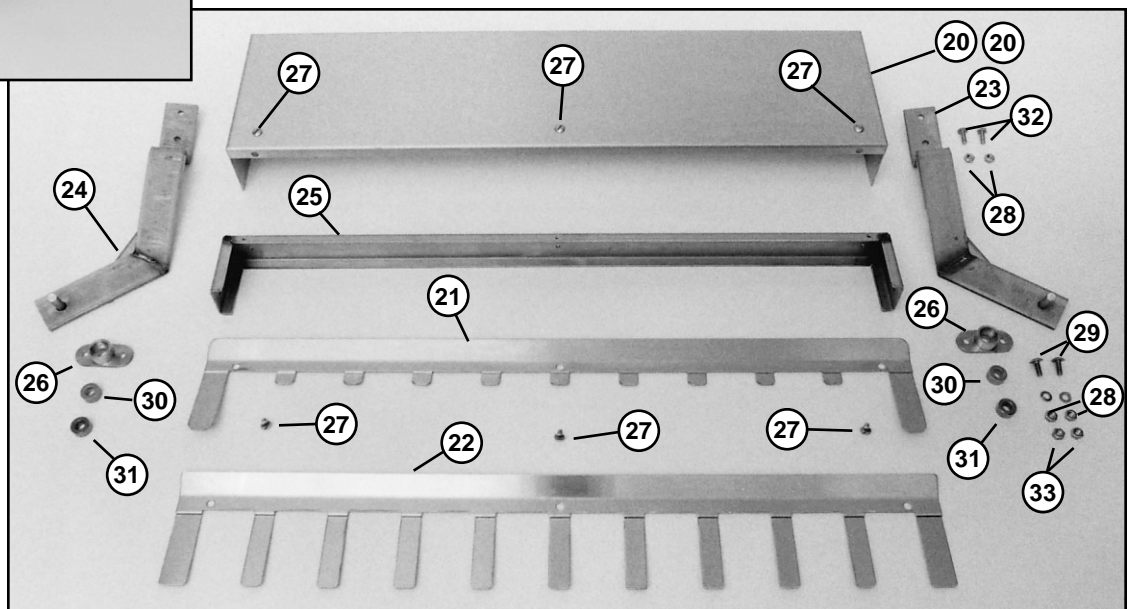
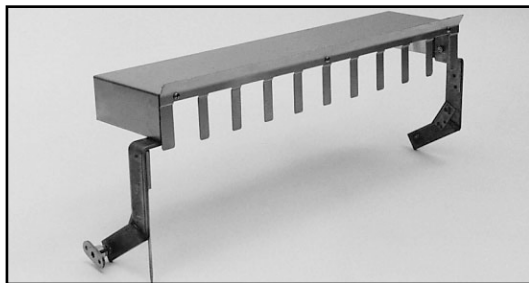
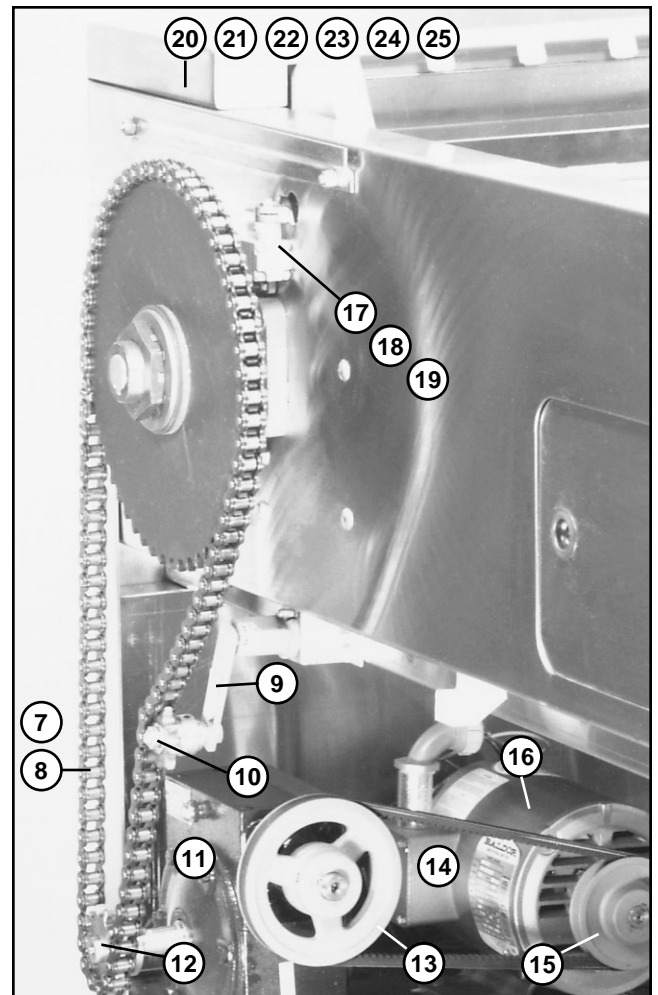
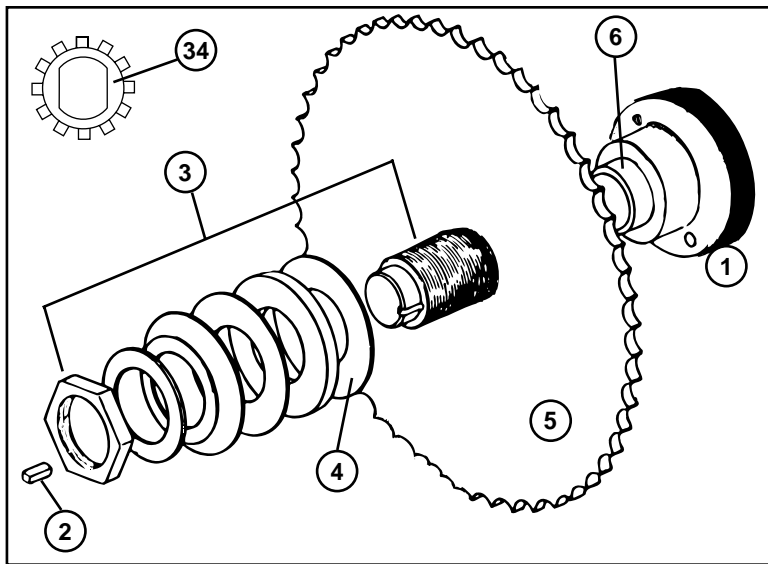


Figure 35 - Conveyor Drive and Shut-off Assembly

CONVEYOR DRIVE AND SHUT-OFF ASSEMBLY

| Fig. 35 Item No. | Part No. | Part Description | Qty. |
|-----------------------------|---------------------|--|-------------|
| 1 | 109958 | Bearing, Drive UC-C/CW | 2 |
| 2 | 106679 | Key (1/4 X 1/4 X 2-1/2) UC-C/CW | 1 |
| 3 | 100485 | Clutch, Torque Limiter, (Complete Assembly) UC-C/CW | 1 |
| 4 | 102315 | Clutch Disc Assembly (Complete Set #350) UC-C/CW | 1 |
| 5 | 201976 | Sprocket, Drive UC-C/CW | 1 |
| 6 | 104271 | Bushing (.54" Long for Torque Limiter Clutch) UC-C/CW | 1 |
| 7 | 101156 | Chain (#50 5/8" Steel) UC-C/CW | 4-1/2 ft. |
| 8 | 101149 | Link, Connecting #50..... | 1 |
| 9 | 110076 | Tensioner, Chain UC-C/CW | 1 |
| 10 | 106521 | Sprocket, Idler | 1 |
| 11 | 110299 | Gearbox, RH w/Bracket UC-C/CW | 1 |
| 11 | 110300 | Gearbox, LH w/Bracket UC-C/CW | 1 |
| 12 | 105285 | Sprocket, Gearbox (11T)..... | 1 |
| 13 | 100451 | Sheave, Gearbox (RH/LH) UC-C/CW | 1 |
| 14 | 100791 | V-Belt | 1 |
| 15 | 103164 | Sheave, Motor (C6 Section) UC-C/CW | 1 |
| 15 | 103170 | Sheave, Motor (C8 Section) UC-C/CW | 1 |
| 16 | 107183 | Motor, 1/2 HP (208-240/480V/60/3PH) UC-C/CW | 1 |
| 16 | 180230 | Motor, 1/2 HP (575/60/3PH) UC-C/CW | 1 |
| 16 | 180038 | Motor, 3/4 HP (208-240/480V/60/3PH) UC-CW..... | 1 |
| 17 | 107341 | Switch, Limit, Conveyor Shut-off Shelf UC-C/CW | 1 |
| 18 | 111074 | Lever, Rod Switch..... | 1 |
| 19 | 111075 | Head, Limit Switch | 1 |
| 20 | 309739 | Cover, Conveyor Shut-off UC-C | 1 |
| 20 | 309738 | Cover, Conveyor Shut-off UC-CW..... | 1 |
| 21 | 309725 | Finger, Short Conveyor Shut-off UC-C (Standard Belt w/upper rod) | 1 |
| 21 | 309719 | Finger, Short Conveyor Shut-off UC-CW (Standard Belt w/upper rod) | 1 |
| 22 | 309724 | Finger, Long Conveyor Shut-off UC-C (Standard Belt w/o upper rod) | 1 |
| 22 | 309718 | Finger, Long Conveyor Shut-off UC-CW (Standard Belt w/o upper rod) | 1 |
| 23 | 316369 | LH Assembly, Conveyor Shut-off UC-C/CW | 1 |
| 24 | 316370 | RH Assembly, Conveyor Shut-off UC-C/CW | 1 |
| 25 | 316366 | Top, Conveyor Shut-off UC-C..... | 1 |
| 25 | 316367 | Top, Conveyor Shut-off UC-CW | 1 |
| 26 | 202393 | Flange Seal | 2 |
| 27 | 100007 | Screw 10-32 X 3/8 Truss | 6 |
| 28 | 106482 | Washer Lock 1/4 Split..... | 8 |
| 29 | 100779 | Screw 1/4-20 X 5/8 Truss | 4 |
| 30 | 104266 | Bushing 3/8 X 3/4 X 3/8 Bronze | 2 |
| 31 | 104586 | Collar 3/8 inch SST..... | 2 |
| 32 | 100735 | Bolt 1/4-20 X 5/8 Hex | 4 |
| 33 | 100141 | Nut Grip 1/4-20 SST..... | 4 |
| 34 | 107700 | Lockwasher, Tab | 1 |

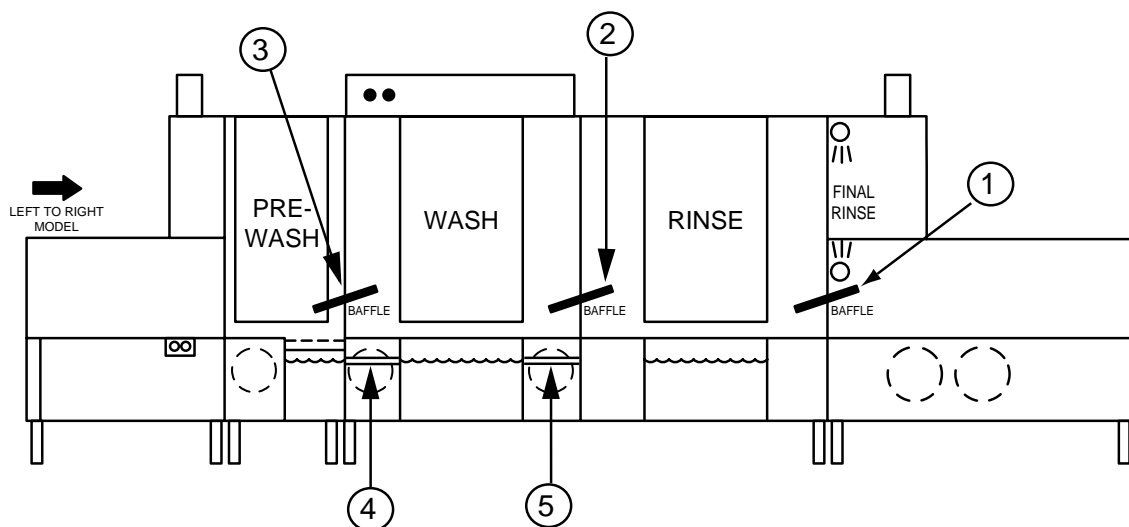


Figure 36 - Baffles & Back Flow Piping

BAFFLES & BACK FLOW PIPING

| Fig. 36 Item No. | Part No. | Part Description | Qty. |
|---------------------|-------------|---|------|
| 1 | 311040 | Right Hand Baffle (2 piece) UC | 1 |
| | 311045 | Left Hand Baffle (2 piece) UC | 1 |
| 1 | 311040 | Right Hand Baffle (2 piece) UC/CW | 1 |
| | 311041 | Left Hand Baffle (2 piece) UC/CW | 1 |
| 2 | 307461 | Wash Baffle UC | 1 |
| 2 | 307460 | Wash Baffle UC/CW | 1 |
| 3 | 307461 | Prewash Baffle UC..... | 1 |
| 3 | 307460 | Prewash Baffle UC/CW | 1 |
| 4 | 202458 | Hose (1-7/8 x 18") | 2 |
| 5 | 202458 | Hose (1-7/8 x 18") | 2 |

CONVEYOR BELTS

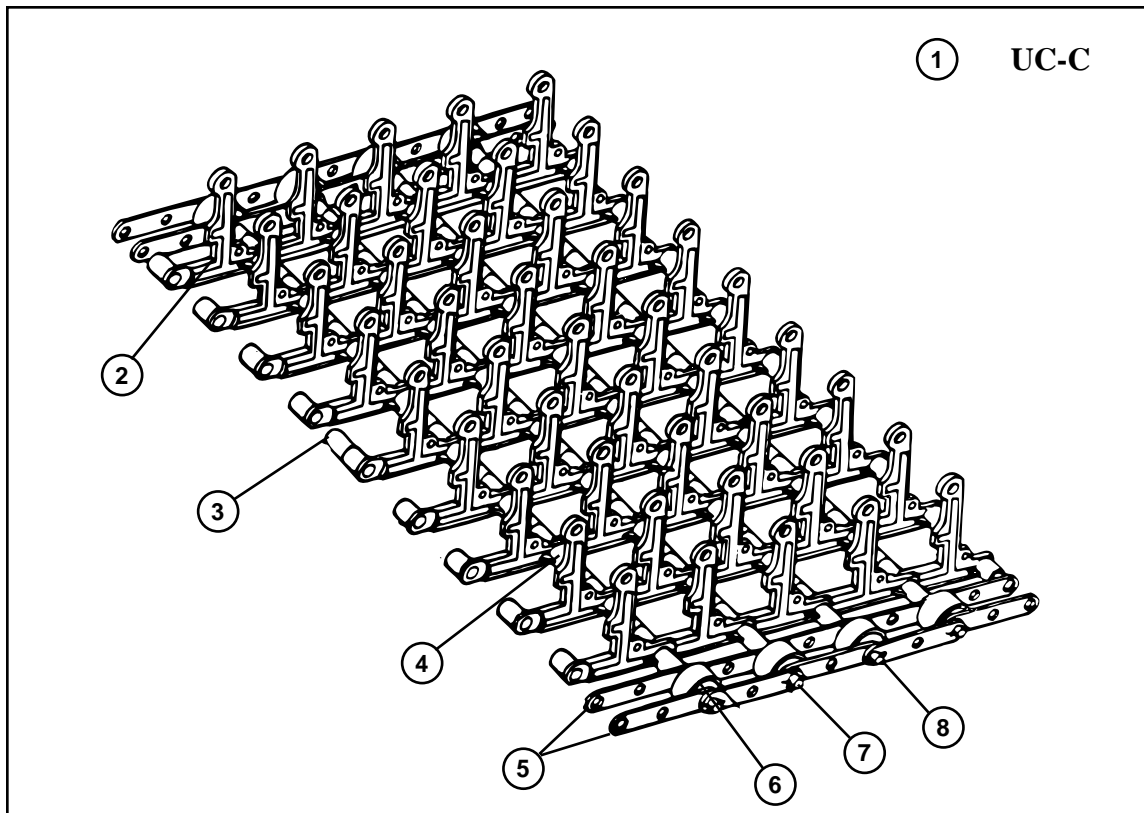
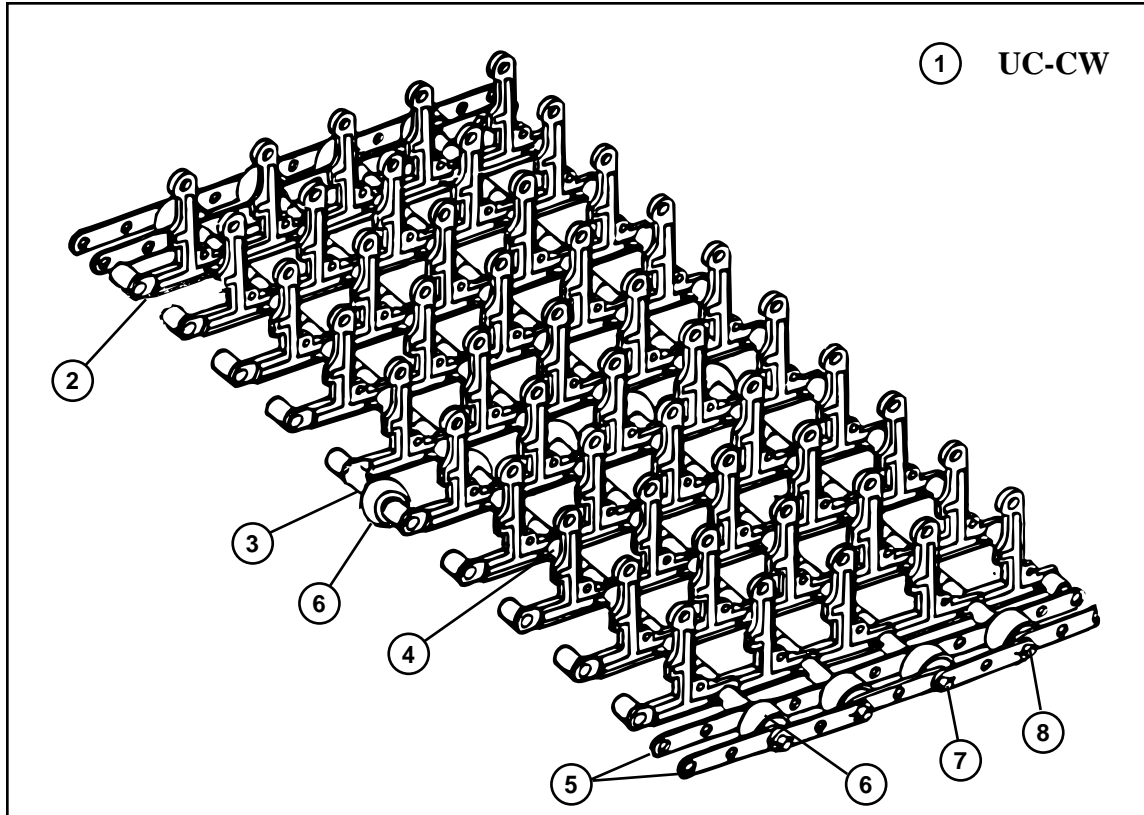


Figure 37 - Peg Belt

UC-CW PEG BELT

Note 1: Total number of Rod Sections required for belt replacement vary depending on Machine Length.

Note 2: Quantities listed below are per one (1) ROD SECTION.

| Fig. 37 Item No. | Part No. | Part Description | Qty. |
|-----------------------------|---------------------|---|-------------|
| 1 | 404104 | Rod Section, Peg Belt, UC-CW | A/R |
| 2 | 110092 | Link, Upright..... | 10 |
| 3 | 108378 | Spacer (11/32 X 5/16)..... | 2 |
| 4 | 108438 | Spacer (11/32 X 1-13/32)..... | 8 |
| 5 | 108435 | Link, Straight End, Stainless Steel | 4 |
| 6 | 108437 | Roller, Plastic | 3 |
| 7 | 108875 | Pin, Cotter | 2 |
| 8 | 108381 | Rod, Drilled Stainless Steel (5/16 X 29-1/4)..... | 1 |

UC-C PEG BELT

Note 1: Total number of Rod Sections required for belt replacement vary depending on Machine Length.

Note 2: Quantities listed below are per one (1) ROD SECTION.

| Fig. 37 Item No. | Part No. | Part Description | Qty. |
|-----------------------------|---------------------|--|-------------|
| 1 | 404105 | Rod Section, Peg Belt, UC-C..... | A/R |
| 2 | 110092 | Link, Upright..... | 9 |
| 3 | 108378 | Spacer (11/32 X 5/16)..... | 1 |
| 4 | 108377 | Spacer (11/32 X 1-3/32)..... | 8 |
| 5 | 108435 | Link, Straight End, Stainless Steel | 4 |
| 6 | 108437 | Roller, Plastic | 2 |
| 7 | 108875 | Pin, Cotter | 2 |
| 8 | 108380 | Rod, Drilled Stainless Steel (5/16 X 24) | 1 |

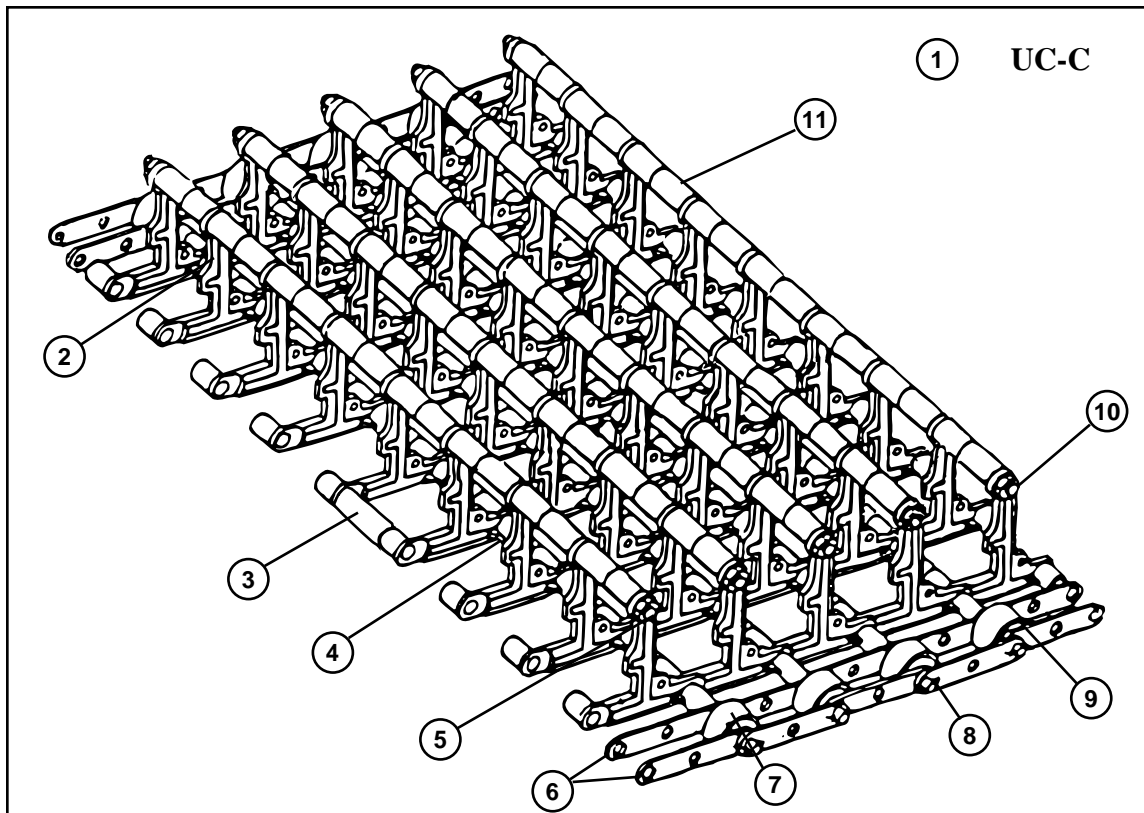
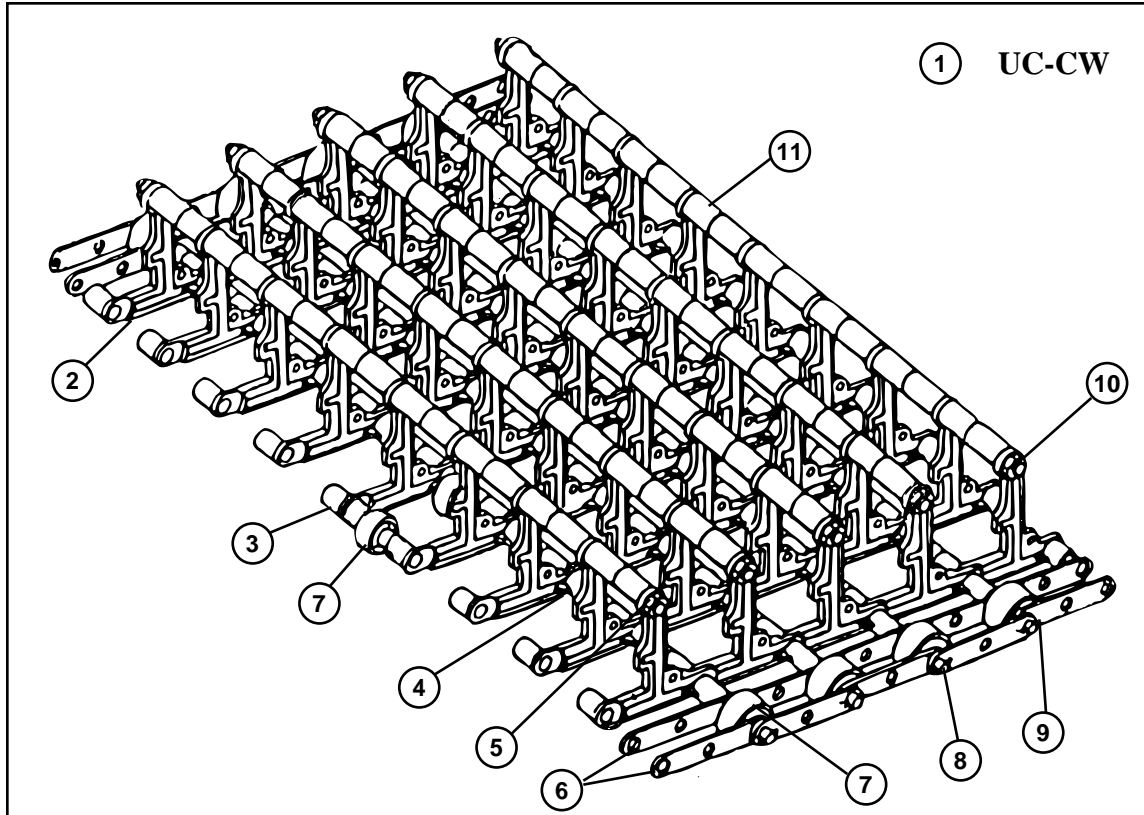


Figure 38 - Peg Belt with Upper Rod

UC-CW PEG BELT with UPPER ROD

Note 1: Total number of Rod Sections required for belt replacement vary depending on Machine Length.

Note 2: Quantities listed below are per one (1) ROD SECTION.

| Fig. 38 Item No. | Part No. | Part Description | Qty. |
|-----------------------------------|---------------------------|---|-------------|
| 1 | 404106 | Rod Section, Peg Belt w/ Upper Rod, UC-CW | A/R |
| 2 | 110092 | Link, Upright..... | 10 |
| 3 | 108378 | Spacer (11/32 X 5/16) | 2 |
| 4 | 108438 | Spacer (11/32 X 1-13/32)..... | 8 |
| 5 | 100141 | Nut, Grip (1/4-20 SST) | 2 |
| 6 | 108435 | Link, Straight End, Stainless Steel | 4 |
| 7 | 108437 | Roller, Plastic | 3 |
| 8 | 108875 | Pin, Cotter | 2 |
| 9 | 108381 | Rod, Drilled Stainless Steel (5/16 X 29-1/4)..... | 1 |
| 10 | 202601 | Rod, Threaded Stainless Steel (1/4 X 26)..... | 1 |
| 11 | 108439 | Spacer (1/2 X 9/32 X 2-9/16) | 9 |

UC-C PEG BELT with UPPER ROD

Note 1: Total number of Rod Sections required for belt replacement vary depending on Machine Length.

Note 2: Quantities listed below are per one (1) ROD SECTION.

| Fig. 38 Item No. | Part No. | Part Description | Qty. |
|-----------------------------------|---------------------------|--|-------------|
| 1 | 404114 | Rod Section, Peg Belt w/ Upper Rod, UC-C..... | A/R |
| 2 | 110092 | Link, Upright..... | 9 |
| 3 | 108378 | Spacer (11/32 X 5/16) | 1 |
| 4 | 108377 | Spacer (11/32 X 1-3/32)..... | 8 |
| 5 | 100141 | Nut, Grip (1/4-20 SST) | 2 |
| 6 | 108435 | Link, Straight End, Stainless Steel | 4 |
| 7 | 108437 | Roller, Plastic | 2 |
| 8 | 108875 | Pin, Cotter | 2 |
| 9 | 108380 | Rod, Drilled Stainless Steel (5/16 X 24) | 1 |
| 10 | 108376 | Rod, Threaded Stainless Steel (1/4 X 20-5/8) | 1 |
| 11 | 108379 | Spacer (1/2 X 9/32 X 2-1/4) | 8 |

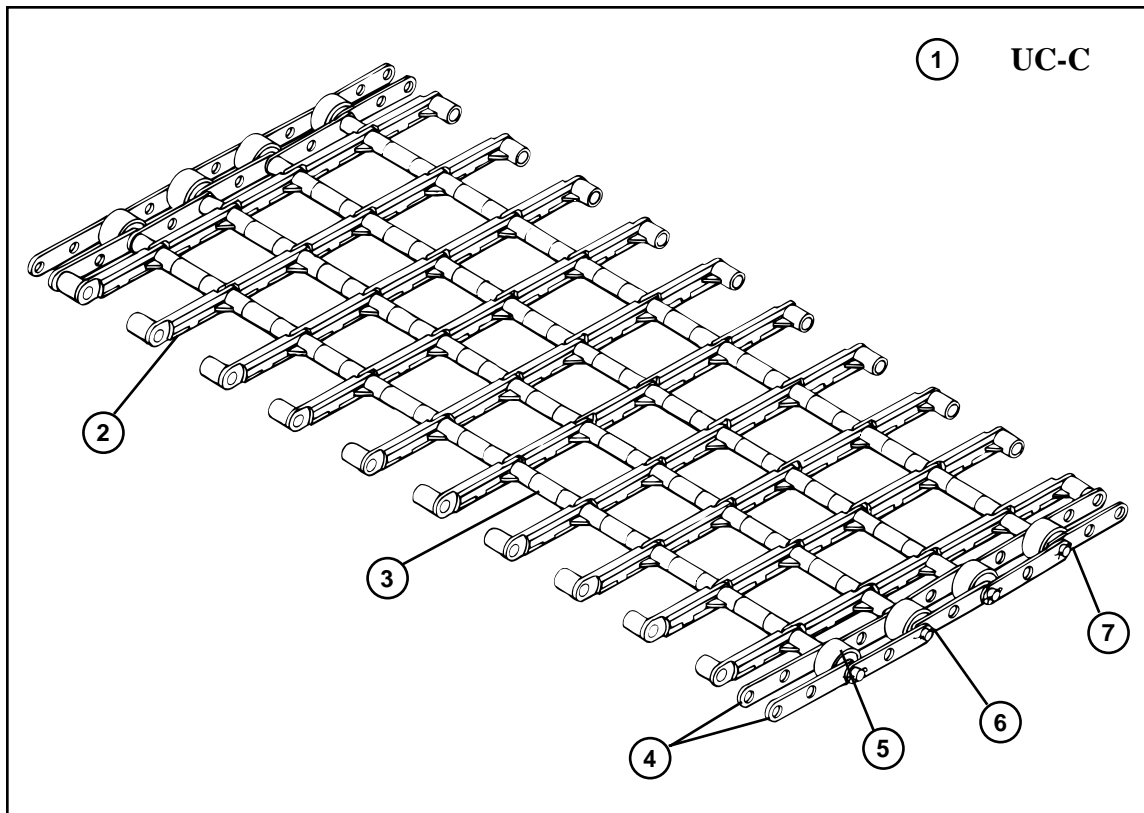
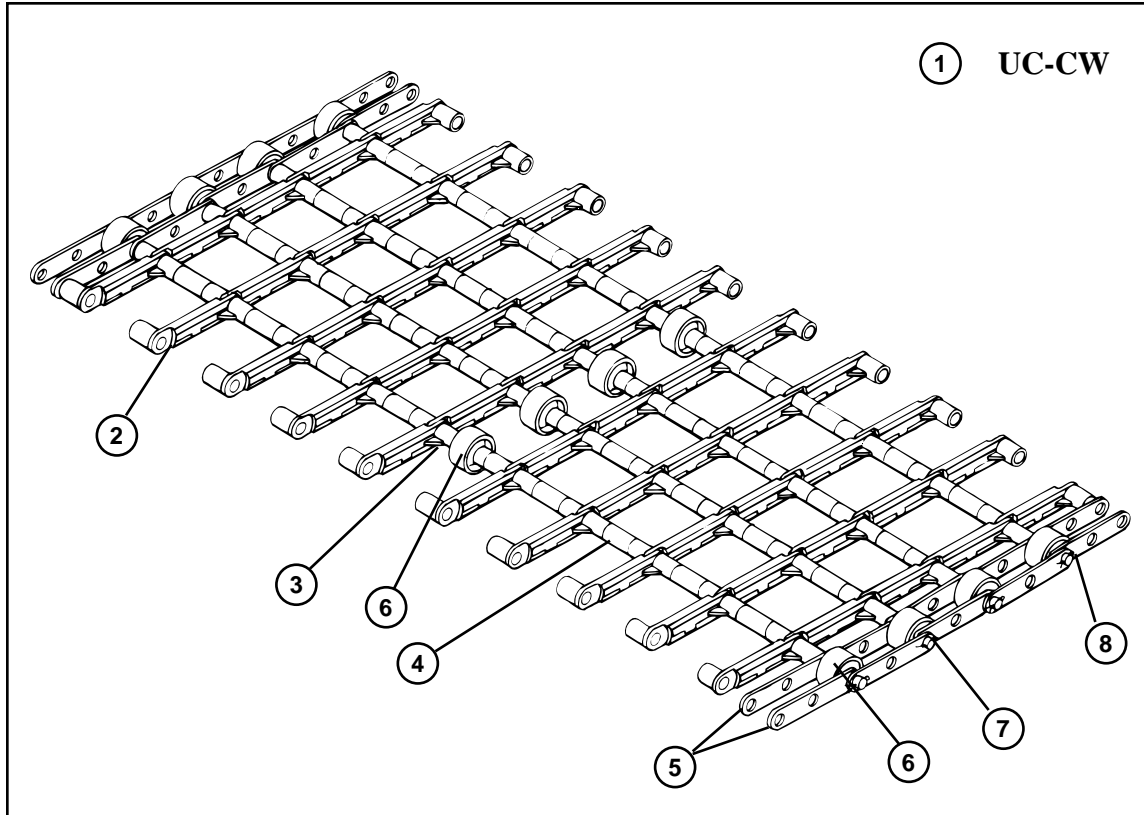


Figure 39 - Flat Belt

UC-CW FLAT BELT

Note 1: Total number of Rod Sections required for belt replacement vary depending on Machine Length.

Note 2: Quantities listed below are per two (2) ROD SECTIONS.

| Fig. 39 Item No. | Part No. | Part Description | Qty. |
|-----------------------------|---------------------|---|-------------|
| 1 | 402237 | TWO Rod Sections, Flat Belt, UC-CW | A/R |
| 2 | 110094 | Link, Flat | 20 |
| 3 | 108378 | Spacer (11/32 X 5/16) | 6 |
| 4 | 108438 | Spacer (11/32 X 1-13/32)..... | 16 |
| 5 | 108435 | Link, Straight End, Stainless Steel | 8 |
| 6 | 108437 | Roller, Plastic | 6 |
| 7 | 108875 | Pin, Cotter | 4 |
| 8 | 108381 | Rod, Drilled Stainless Steel (5/16 X 29-1/4)..... | 2 |

UC-C FLAT BELT

Note 1: Total number of Rod Sections required for belt replacement vary depending on Machine Length.

Note 2: Quantities listed below are per two (2) ROD SECTIONS.

| Fig. 39 Item No. | Part No. | Part Description | Qty. |
|-----------------------------|---------------------|--|-------------|
| 1 | 402294 | TWO Rod Sections, Flat Belt, UC-C..... | A/R |
| 2 | 110094 | Link, Flat | 18 |
| 3 | 108377 | Spacer (11/32 X 1-3/32)..... | 16 |
| 4 | 108435 | Link, Straight End, Stainless Steel | 8 |
| 5 | 108437 | Roller, Plastic | 4 |
| 6 | 108875 | Pin, Cotter | 4 |
| 7 | 108380 | Rod, Drilled Stainless Steel (5/16 X 24) | 2 |

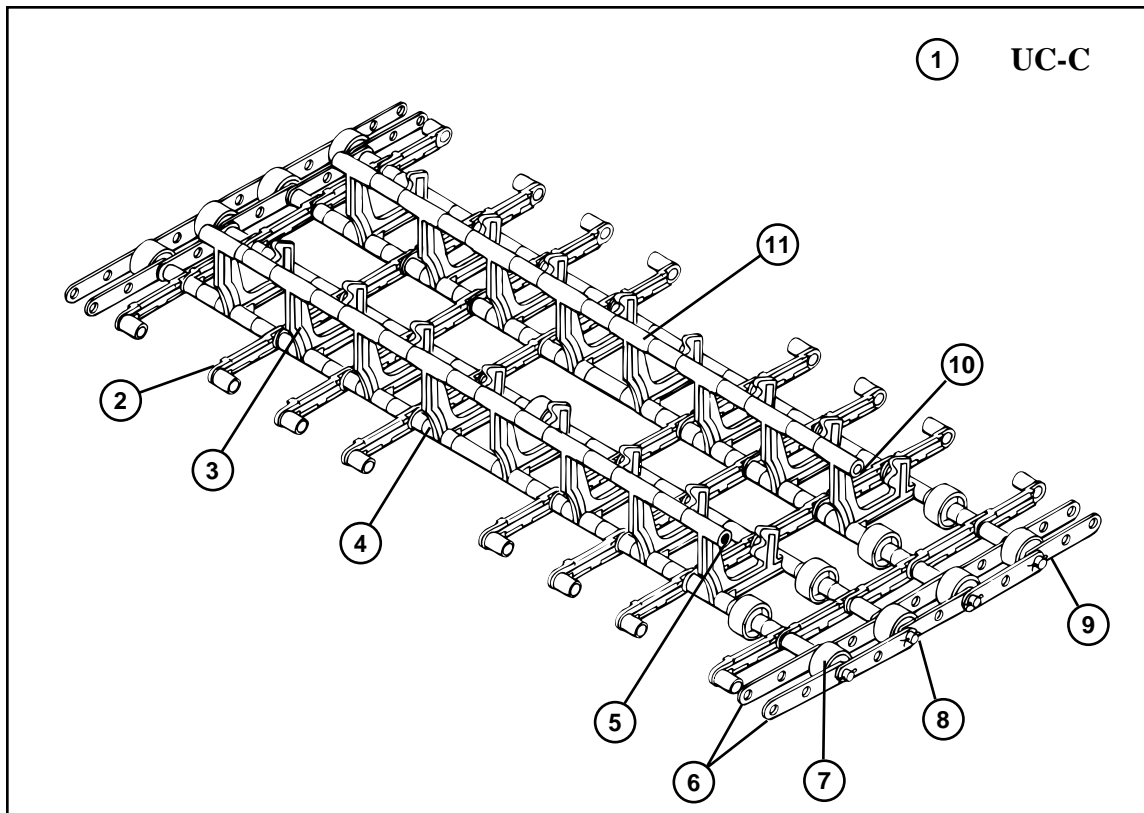
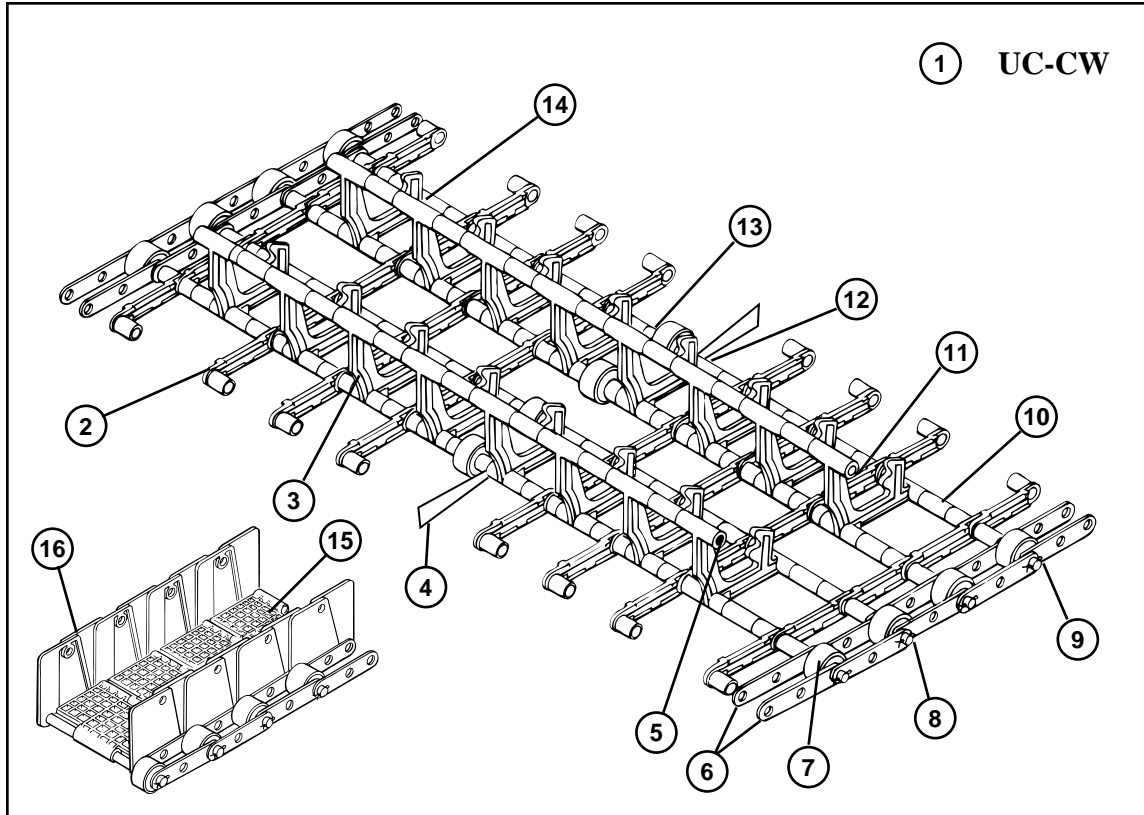


Figure 40 - Insulated Tray Belt (Silverware Belt Optional)

UC-CW INSULATED TRAY BELT

Note 1: Total number of Rod Sections required for belt replacement vary depending on Machine Length.

Note 2: Quantities listed below are per two (2) ROD SECTIONS.

| Fig. 40 Item No. | Part No. | Part Description | Qty. |
|-----------------------------|---------------------|--|-------------|
| 1 | 402238 | TWO Rod Sections, Insulated Tray Belt, UC-CW | A/R |
| 2 | 110094 | Link, Flat | 16 |
| 3 | 109030 | Link, Upright Poly | 8 |
| 4 | 204995 | Link, Flat Modified | 1 |
| 5 | 100141 | Nut, Grip (1/4-20 SST) | 2 |
| 6 | 108435 | Link, Straight End, Stainless Steel | 8 |
| 7 | 108437 | Roller, Plastic | 6 |
| 8 | 108875 | Pin, Cotter | 4 |
| 9 | 108381 | Rod, Drilled Stainless Steel (5/16 X 29-1/4) | 2 |
| 10 | 109282 | Spacer (11/32 X 1-1/32) | 4 |
| 11 | 109224 | Rod, Threaded Stainless Steel (1/4 X 22-1/4) | 1 |
| 12 | 102376 | Washer (5/16 X 3/4 X 1/16) | 2 |
| 13 | 108378 | Spacer (11/32 X 5/16) | 2 |
| 14 | 109187 | Spacer (9/32 X 1-13/32) | 7 |
| SILVERWARE BELT | | | |
| 15 | 109164 | Link, Flat, Silverware Belt | 2 |
| 16 | 109163 | Link, Side, Silverware Belt | 4 |

UC-C INSULATED TRAY BELT

Note 1: Total number of Rod Sections required for belt replacement vary depending on Machine Length.

Note 2: Quantities listed below are per two (2) ROD SECTIONS.

| Fig. 40 Item No. | Part No. | Part Description | Qty. |
|-----------------------------|---------------------|--|-------------|
| 1 | 402295 | TWO Rod Sections, Insulated Tray Belt, UC-C | A/R |
| 2 | 110094 | Link, Flat | 12 |
| 3 | 109030 | Link, Upright Poly | 8 |
| 4 | 109282 | Spacer (11/32 X 1-1/32) | 3 |
| 5 | 100141 | Nut, Grip (1/4-20 SST) | 2 |
| 6 | 108435 | Link, Straight End, Stainless Steel | 8 |
| 7 | 108437 | Roller, Plastic | 4 |
| 8 | 108875 | Pin, Cotter | 4 |
| 9 | 108380 | Rod, Drilled Stainless Steel (5/16 X 24) | 2 |
| 10 | 109225 | Rod, Threaded Stainless Steel (1/4 X 21-3/4) | 1 |
| 11 | 109187 | Spacer (9/32 X 1-13/16) | 6 |

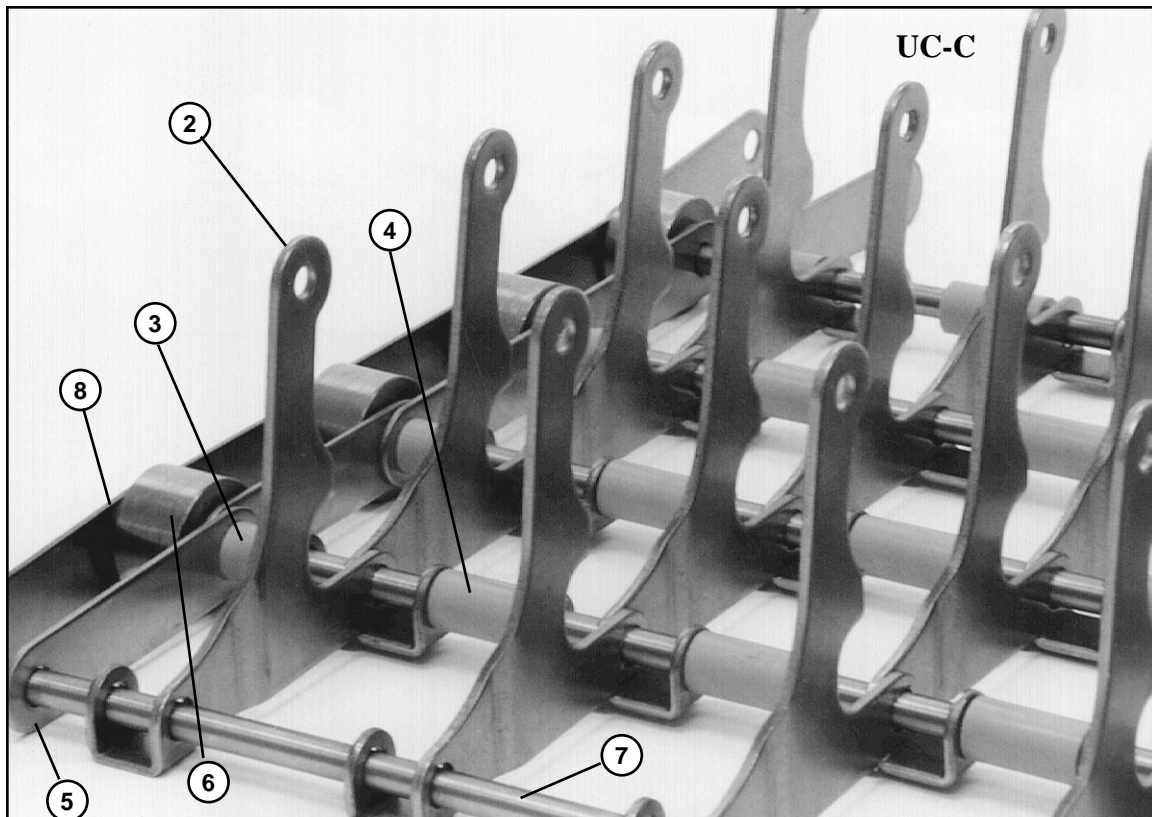
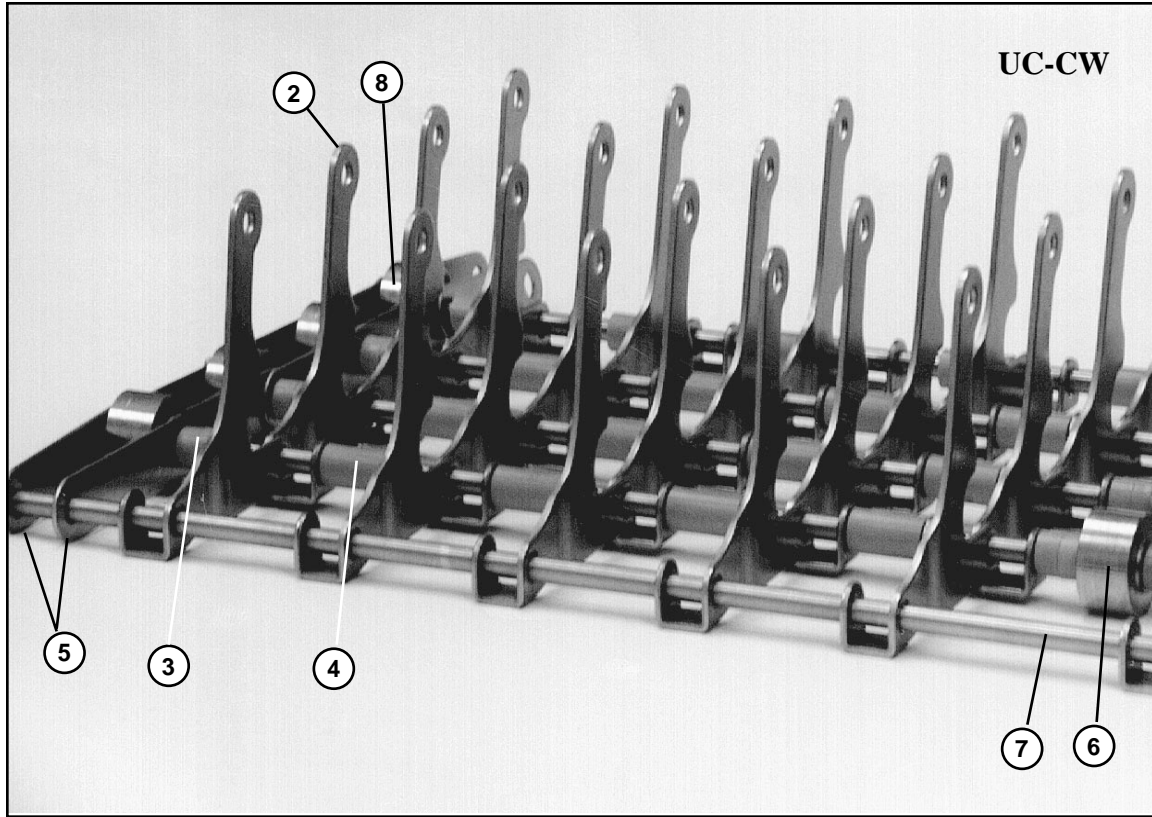


Figure 41 - Stainless Steel Peg Belt

UC-CW STAINLESS STEEL PEG BELT

Note 1: Total number of Rod Sections required for belt replacement vary depending on Machine Length.

Note 2: Quantities listed below are per one (1) ROD SECTION.

| Fig. 41 Item No. | Part No. | Part Description | Qty. |
|-----------------------------|---------------------|--|-------------|
| 1 | 408013 | Rod Section, Stainless Steel Peg Belt, UC-CW | A/R |
| 2 | 111421 | Link, Stainless Steel Upright | 10 |
| 3 | 109282 | Spacer (11/32 X 1-1/32)..... | 8 |
| 4 | 108378 | Spacer (11/32 X 5/16)..... | 8 |
| 5 | 108435 | Link, Straight End, Stainless Steel | 4 |
| 6 | 108375 | Roller, Stainless Steel..... | 3 |
| 7 | 108381 | Rod, Drilled Stainless Steel (5/16 X 29-1/4)..... | 1 |
| 8 | 108875 | Pin, Cotter (Not Shown) | 2 |

UC-CW Stainless Steel Peg Belt with Upper Rod

(Items 2 thru 8 above and the Parts Listed Below)

| | | | |
|---|--------|---|---|
| — | 100141 | Nut, Grip (1/4-20 SST) (Not Shown) | 2 |
| — | 202601 | Rod, Threaded (1/4 X 26) (Not Shown)..... | 1 |

UC-C STAINLESS STEEL PEG BELT

Note 1: Total number of Rod Sections required for belt replacement vary depending on Machine Length.

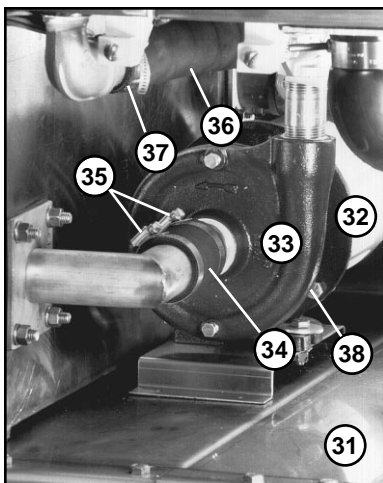
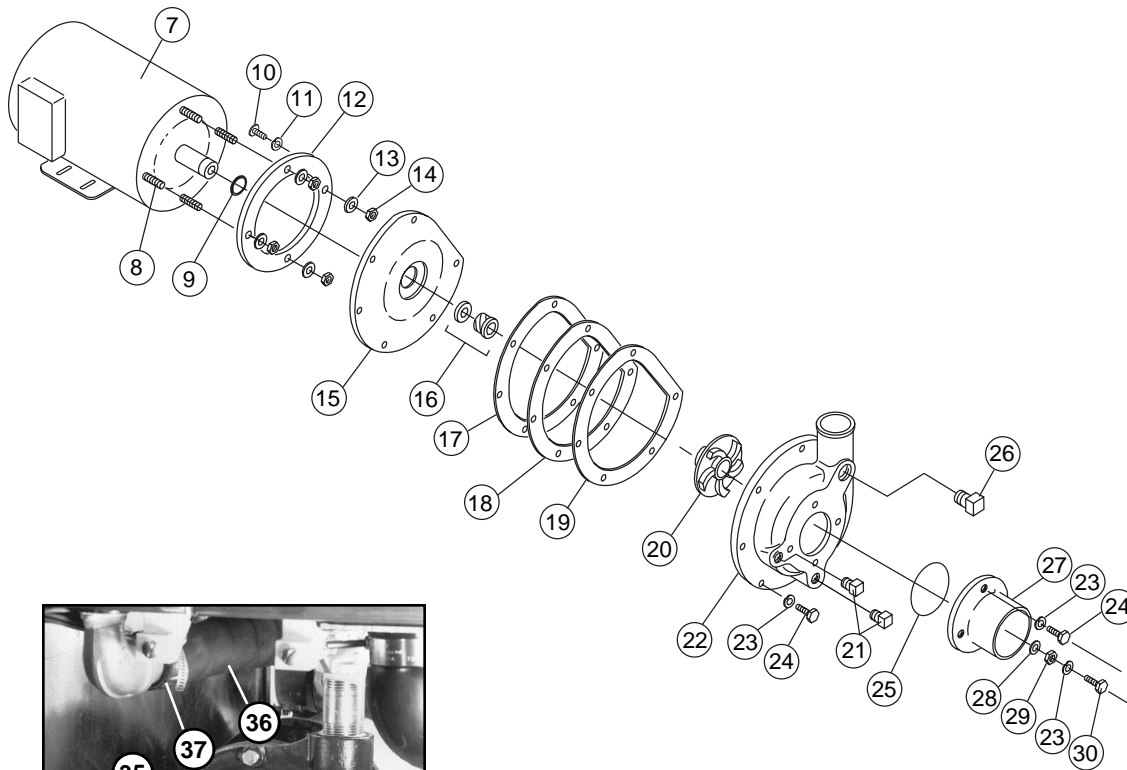
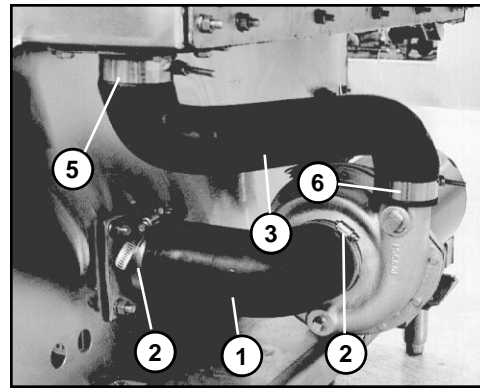
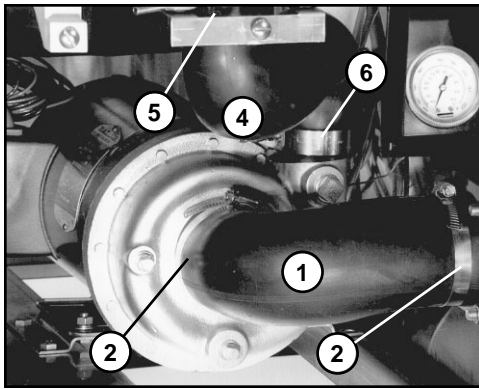
Note 2: Quantities listed below are per one (1) ROD SECTION.

| Fig. 41 Item No. | Part No. | Part Description | Qty. |
|-----------------------------|---------------------|---|-------------|
| 1 | — | Rod Section, Stainless Steel Peg Belt, UC-C | A/R |
| 2 | 111421 | Link, Stainless Steel Upright | 8 |
| 3 | 109282 | Spacer (11/32 X 1-1/32)..... | 7 |
| 4 | 108377 | Spacer (11/32 X 1-3/32)..... | 2 |
| 5 | 108435 | Link, Straight End, Stainless Steel | 4 |
| 6 | 108375 | Roller, Stainless Steel..... | 2 |
| 7 | 108380 | Rod, Drilled Stainless Steel (5/16 X 24) | 1 |
| 8 | 108875 | Pin, Cotter (Not Shown) | 2 |

UC-C Stainless Steel Peg Belt with Upper Rod

(Items 2 thru 8 above and the Parts Listed Below)

| | | | |
|---|--------|---|---|
| — | 100141 | Nut, Grip (1/4-20 SST) (Not Shown) | 2 |
| — | 205067 | Rod, Threaded (1/4 X 18-3/8) (Not Shown)..... | 1 |
| — | 105197 | Spacer (11/32 X 2-7/16)..... | 7 |



See bottom of Page 80 for
Optional EconoRinse Pump parts
(UC-CW Only)

Figure 42 - Pump Assembly

PUMP ASSEMBLY

| Fig. 42 Item No. | Part No. | Part Description | Qty. |
|-----------------------------|---------------------|---|-------------|
| 1 | 109562 | Hose, Pump Suction UC-C/CW..... | 1 |
| 2 | 104203 | Clamp, Suction Hose..... | 2 |
| 3 | 110289 | Hose, Pump Discharge (R-L, B2 Section Only) UC-C/CW..... | 1 |
| 4 | 110290 | Hose, Pump Discharge (C4/B4), (B2, L-R) UC-C/CW..... | 1 |
| 4 | 110288 | Hose, Pump Discharge (C3/B3) UC-C/CW..... | 1 |
| 5 | 104165 | Clamp, Discharge Hose..... | 1 |
| 6 | 111964 | Clamp, Discharge Hose..... | 1 |
| 7 | 110420 | Motor, 1 HP Prewash (208-240V/460V/60/3PH)..... | 1 |
| 7 | 180245 | Motor, 1 HP Prewash (380V/50/3PH)..... | 1 |
| 7 | 180272 | Motor, 1 HP Prewash (380V/60/3PH)..... | 1 |
| 7 | 180237 | Motor, 1 HP Prewash (415/50/3PH)..... | 1 |
| 7 | 180232 | Motor, 1 HP Prewash (575V/60/3PH)..... | 1 |
| 7 | 180210 | Motor, 1 HP Prewash (600V/60/3PH)..... | 1 |
| 7 | 180212 | Motor, 1 HP Prewash (220V/50/3PH)..... | 1 |
| 7 | 110422 | Motor, 2 HP Prewash (208-240V/460V/60/3PH)..... | 1 |
| 7 | 180226 | Motor, 2 HP Prewash (380V/50/3PH)..... | 1 |
| 7 | 180273 | Motor, 2 HP Prewash (380V/60/3PH)..... | 1 |
| 7 | 180246 | Motor, 2 HP Prewash (415V/50/3PH)..... | 1 |
| 7 | 180231 | Motor, 2 HP Prewash (575V/60/3PH)..... | 1 |
| 7 | 110424 | Motor, 3 HP Prewash, Wash/Rinse (208-240/460V/60/3PH).... | 1 |
| 7 | 180229 | Motor, 3 HP Prewash, Wash/Rinse (575V/60/3PH)..... | 1 |
| 7 | 180239 | Motor, 3 HP Prewash, Wash/Rinse (415V/50/3PH)..... | 1 |
| 7 | 180257 | Motor, 3 HP Prewash, Wash/Rinse (380V/50/3PH)..... | 1 |
| 8 | 110734 | Stud, Motor..... | 4 |
| 9 | 109654 | Slinger, Water..... | 1 |
| 10 | 100754 | Screw, 10-32 X 1/2" Flat Head..... | 3 |
| 11 | 110270 | Washer, Star Countersunk..... | 3 |
| 12 | 204460 | Plate, Backing..... | 1 |
| 13 | 106407 | Washer, Lock..... | 4 |
| 14 | 107690 | Nut, Jam 3/8-16..... | 4 |
| 15 | 111681 | Flange, Pump..... | 1 |
| 16 | 111111 | Seal, Shaft..... | 1 |
| 17 | 111941 | Gasket, (.0085") (1 notch)..... | A/R |
| 18 | 111942 | Gasket, (.015") (2 notches)..... | 1 |
| 19 | 111943 | Gasket, (.032") (3 notches)..... | 2 |
| 20 | 111754 | Impeller, SST (2.875") (1 HP motor)..... | 1 |
| 20 | 111756 | Impeller, SST (3.5") (2 HP motor)..... | 1 |
| 20 | 111687 | Impeller, SST (4.0") (3 HP motor)..... | 1 |
| 21 | 102500 | Plug, 1/4" NPT Brass..... | 2 |
| 22 | 111696 | Volute, Pump..... | 1 |
| 23 | 106482 | Washer, Lock 1/4" Split..... | 11 |
| 24 | 100736 | Bolt, 1/4-20 X 3/4" Hex Head..... | 10 |
| 25 | 111725 | O-Ring..... | 1 |
| 26 | 102504 | Plug, 1/2" NPT Brass..... | 1 |
| 27 | 111841 | Flange, Suction..... | 1 |

PUMP ASSEMBLY (CONT.)

| Fig. 42 Item No. | Part No. | Part Description | Qty. |
|-----------------------------|---------------------|---|-------------|
| 28 | 110248 | Washer, Flat..... | 1 |
| 29 | 110247 | Nut, Hex Jam 7/16-20..... | 1 |
| 30 | 100734 | Bolt, 1/4-20 X 1/2" Hex Head..... | 1 |
| — | 405919 | Motor/Pump Assy. (Complete) 1 HP Prewash UC-C/CW (208-240/480V/60/3) | |
| — | 405920 | Motor/Pump Assy. (Complete) 2 HP Prewash UC-C/CW (208-240/480V/60/3) | |
| — | 405921 | Motor/Pump Assy. (Complete) 3 HP Prewash UC-C/CW (208-240/480V/60/3) | |
| — | 405922 | Motor/Pump Assy. (Complete) 3 HP C3 Section - Wash/Rinse (208-240/480V/60/3) UC-C/CW | |
| — | 405923 | Motor/Pump Assy. (Complete) 3 HP C4 Section - Wash/Rinse (208-240/480V/60/3) UC-C/CW | |

ECONORINSE SECTION OPTION AVAILABLE ON UC-CW ONLY

| Fig. 42 Item No. | Part No. | Part Description | Qty. |
|-----------------------------|---------------------|---|-------------|
| 31 | 180280 | Motor and Pump Assembly, 1/4 HP (208-240/460V/60/3PH).. | 1 |
| 32 | 180327 | Motor, 1/4 HP (208-240/460V/60/3PH) EconoRinse..... | 1 |
| 33 | 900728 | Pump Assembly (Less Motor)..... | 1 |
| 34 | 205202 | Hose, Suction (1-5/8 I.D. X 4-3/4)..... | 1 |
| 35 | 107340 | Clamp, Suction Hose..... | 2 |
| 36 | 205201 | Hose, Discharge (1-3/8 I.D. X 9-1/2)..... | 1 |
| 37 | 107340 | Clamp, Discharge Hose..... | 2 |
| 38 | 180326 | Bolt, (Pump to Motor)..... | 4 |
| — | 108598 | Gasket, pump (Not Shown)..... | 1 |
| — | 180325 | Seal, shaft (Not Shown)..... | 1 |
| — | 180324 | Impeller, 1/4 HP EconoRinse Pump (Not Shown) Prior to 1-1-96..... | 1 |
| — | 112106 | Impeller, 1/4 HP EconoRinse Pump Beginning 1-1-96..... | 1 |
| — | 112107 | Volute (Not Shown), Beginning 1-1-96..... | 1 |
| — | 900756 | Kit, Volute, Impeller & Repair Kit (Not Shown) Beginning 1-1-96..... | 1 |
| — | 900727 | Repair kit with seal, 1/4 HP pump (Not Shown) For Machines built prior to 1-1-96 (Threaded impeller)..... Includes: Pump gasket, Pump shaft w/ set screws, Water slinger, shaft seal | 1 |
| — | 900757 | Repair kit with seal, 1/4 HP pump (Not Shown) For Machines built after 1-1-96 (Keyed impeller)..... Includes: Pump gasket, Pump shaft w/ set screws, Water slinger, shaft seal | 1 |

ELECTRIC TANK HEAT

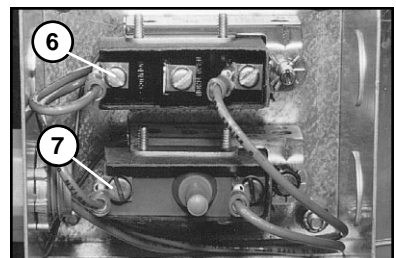
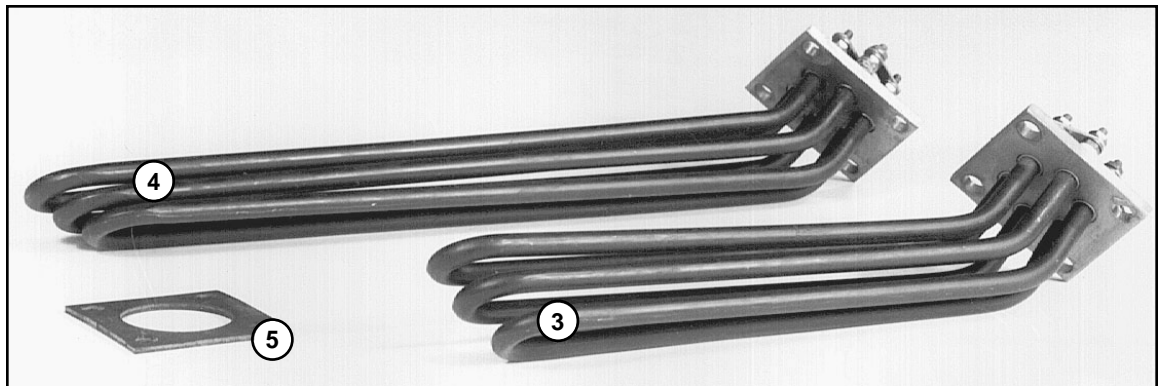
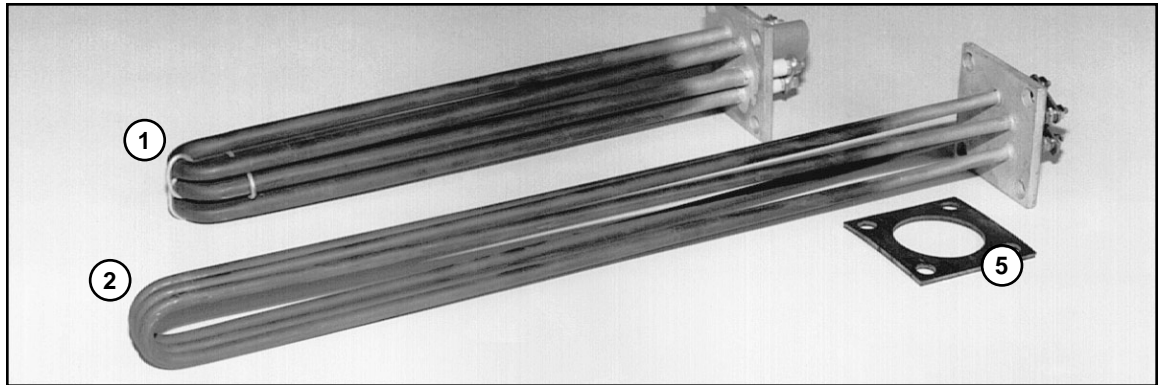
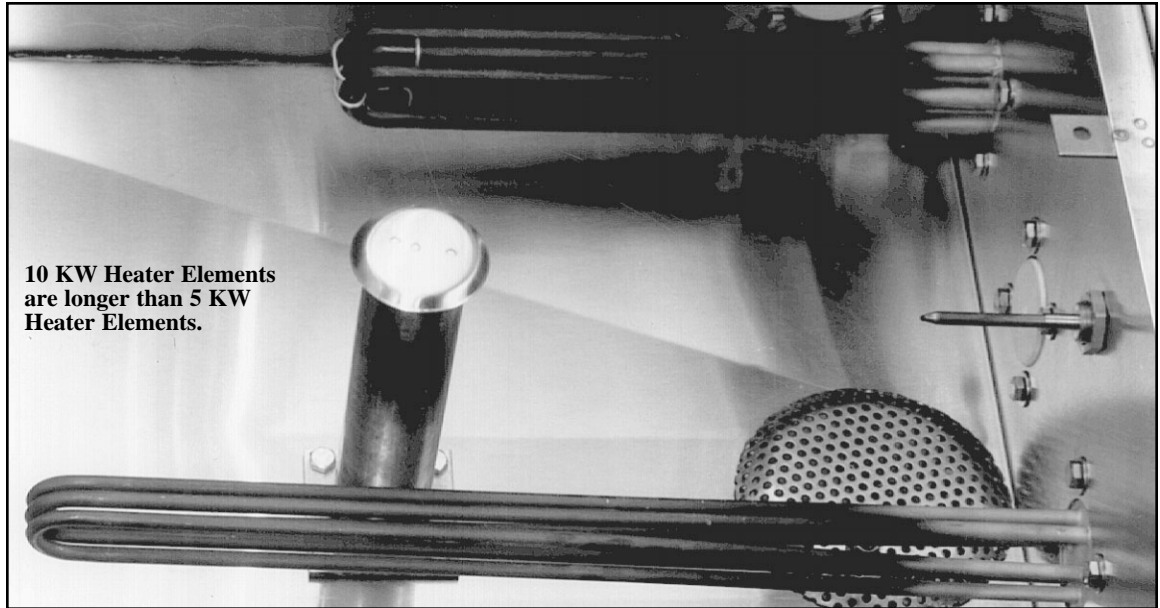


Figure 43 - Electric Tank Heat

**UC-C and UC-CW
(C3/C4 Section)
Wash or Power Rinse Tank without Optional Refuse Bucket**

| Fig. 43 Item No. | Part No. | Part Description | Qty. |
|-----------------------------|---------------------|---|-------------|
| 1 | 107839 | Element, Straight Tank Heater (5KW, 208V/3PH)..... | A/R |
| 1 | 107840 | Element, Straight Tank Heater (5KW, 240V/3PH)..... | A/R |
| 1 | 107842 | Element, Straight Tank Heater (5KW, 480V/3PH)..... | A/R |
| 1 | 111123 | Element, Straight Tank Heater (5KW, 575V/3PH)..... | A/R |
| 5 | 108345 | Gasket, Tank Heater (one per element) | A/R |
| 2 | 109751 | Element, Straight Tank Heater (10KW, 208V/3PH)..... | A/R |
| 2 | 107844 | Element, Straight Tank Heater (10KW, 240V/3PH)..... | A/R |
| 2 | 107846 | Element, Straight Tank Heater (10KW, 480V/3PH)..... | A/R |
| 2 | 111120 | Element, Straight Tank Heater (10KW, 575V/3PH)..... | A/R |
| 5 | 108345 | Gasket, Tank Heater (one per element) | A/R |
| 6 | 109069 | Thermostat, Control UC-C/CW (one per tank) | A/R |
| 7 | 110561 | Thermostat, High Limit UC-C/CW (one per tank)..... | A/R |

**UC-C and UC-CW
(C3 Section)
Wash or Power Rinse Tank with Optional Refuse Bucket**

| Fig. 43 Item No. | Part No. | Part Description | Qty. |
|-----------------------------|---------------------|--|-------------|
| 3 | 109789 | Element, Angled Tank Heater (5KW, 208V/3PH)..... | A/R |
| 3 | 109791 | Element, Angled Tank Heater (5KW, 240V/3PH)..... | A/R |
| 3 | 109793 | Element, Angled Tank Heater (5KW, 480V/3PH)..... | A/R |
| 3 | N/A | Element, Angled Tank Heater (5KW, 575V/3PH)..... | A/R |
| 5 | 108345 | Gasket, Tank Heater (one per element) | A/R |
| 4 | 109790 | Element, Angled Tank Heater (10KW, 208V/3PH)..... | A/R |
| 4 | 109792 | Element, Angled Tank Heater (10KW, 240V/3PH)..... | A/R |
| 4 | 109794 | Element, Angled Tank Heater (10KW, 480V/3PH)..... | A/R |
| 4 | 111121 | Element, Angled Tank Heater (10KW, 575V/3PH)..... | A/R |
| 5 | 108345 | Gasket, Tank Heater (one per element) | A/R |
| 6 | 109069 | Thermostat, Control UC-C/CW (one per tank) | A/R |
| 7 | 110561 | Thermostat, High Limit UC-C/CW (one per tank)..... | A/R |

(See Next Page for Additional Elements)

**UC-C and UC-CW
(C4 Section)
Wash or Power Rinse Tank with Optional Refuse Bucket**

| Fig. 43 Item No. | Part No. | Part Description | Qty. |
|-----------------------------|---------------------|--|-------------|
| 3 | 107839 | Element, Straight Tank Heater (5KW, 208V/3PH)..... | A/R |
| 3 | 107840 | Element, Straight Tank Heater (5KW, 240V/3PH)..... | A/R |
| 3 | 107842 | Element, Straight Tank Heater (5KW, 480V/3PH)..... | A/R |
| 1 | 111123 | Element, Straight Tank Heater (5KW, 575V/3PH)..... | A/R |
| 5 | 108345 | Gasket, Tank Heater (one per element) | A/R |
| 4 | 109751 | Element, Tank Heater (10KW, 208V/3PH) | A/R |
| 4 | 107844 | Element, Tank Heater (10KW, 240V/3PH) | A/R |
| 4 | 107846 | Element, Tank Heater (10KW, 480V/3PH) | A/R |
| 4 | 111120 | Element, Tank Heater (10KW, 575V/3PH) | A/R |
| 5 | 108345 | Gasket, Tank Heater (one per element) | A/R |
| 6 | 109069 | Thermostat, Control UC-C/CW (one per tank) | A/R |
| 7 | 110561 | Thermostat, High Limit UC-C/CW (one per tank)..... | A/R |

**UC-CW ONLY
ECONORINSE SECTION (Optional)**

| Fig. 43 Item No. | Part No. | Part Description | Qty. |
|-----------------------------|---------------------|--|-------------|
| 1 | 111258 | Element, Straight, Tank Heater (15KW, 208V/3PH)..... | 1 |
| 1 | 111259 | Element, Straight, Tank Heater (15KW, 240V/3PH)..... | 1 |
| 1 | 111260 | Element, Straight, Tank Heater (15KW, 480V/3PH)..... | 1 |
| 1 | — | Element, Straight, Tank Heater (15KW, 575V/3PH)..... | N/A |
| 5 | 108345 | Gasket, Tank Heater (one per element) | A/R |
| 6 | 109069 | Thermostat, Control UC-C/CW (one per tank) | A/R |
| 7 | 110561 | Thermostat, High Limit UC-C/CW (one per tank)..... | A/R |

STEAM TANK HEAT

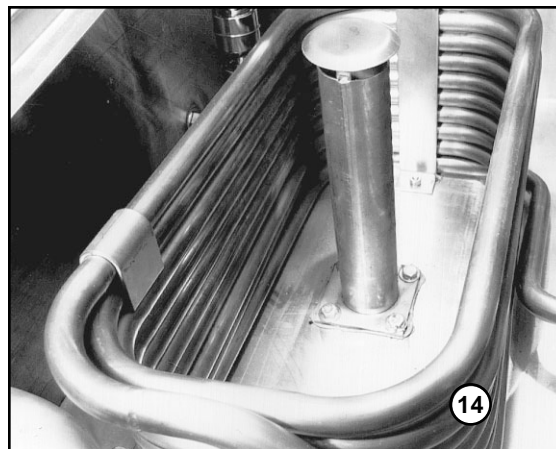
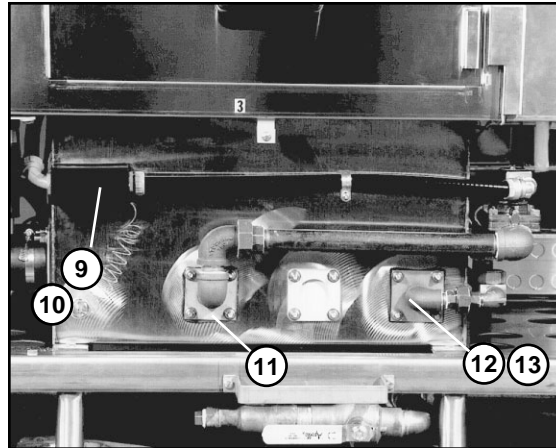
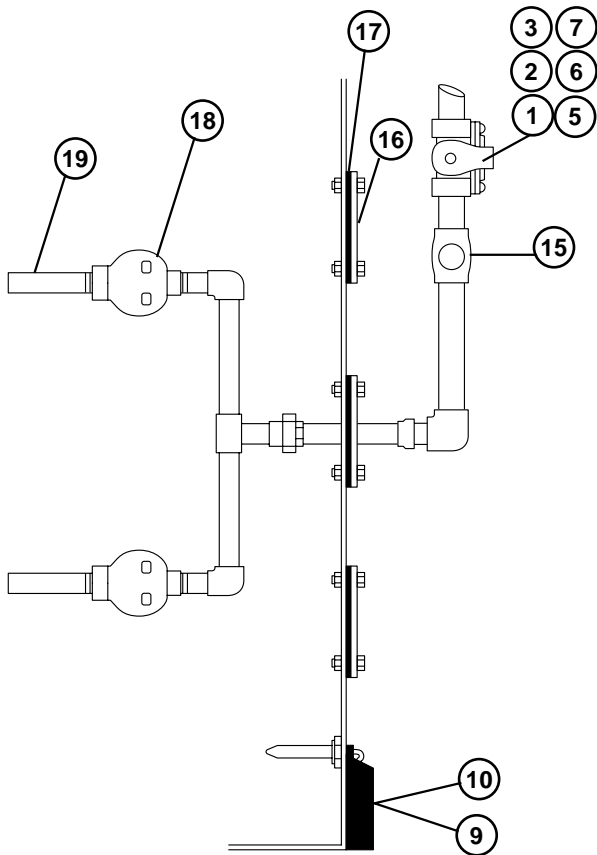
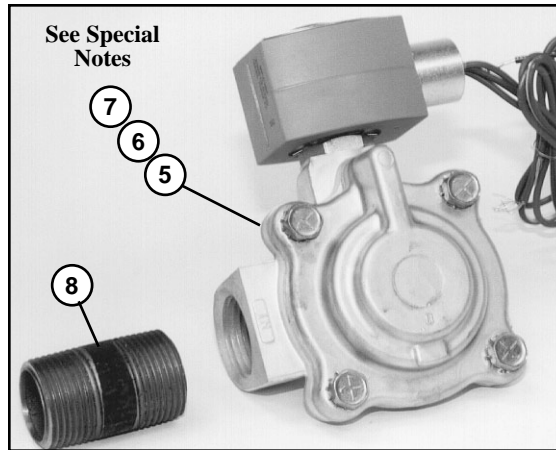
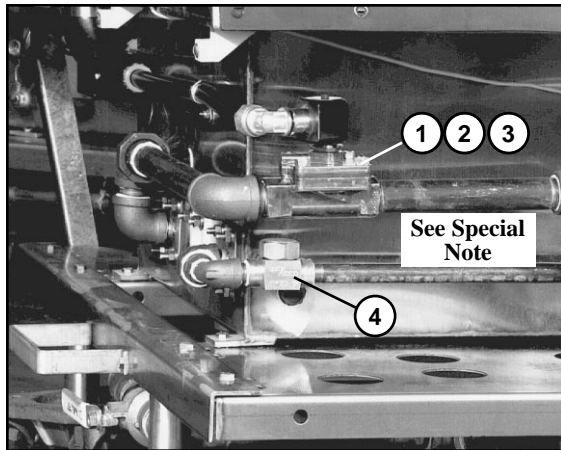


Figure 44 - Steam Tank Heat

STEAM TANK HEAT

| Fig. 44 Item No. | Part No. | Part Description | Qty. |
|-----------------------------|---------------------|---|-------------|
| *1 | 109888 | Valve, Steam Solenoid (1" Parker) UC-C/CW—Prior to S/N 85330 | NLA |
| *2 | 109904 | Repair Kit (1" Parker) UC-C/CW—Prior to S/N 85330..... | 1 |
| *3 | 108516 | Coil, Solenoid (1" Parker) UC-C/CW—Prior to S/N 85330..... | 1 |
| 4 | 111380 | Trap, Steam | 1 |
| **5 | 110005 | Valve Steam Solenoid (1" Asco) UC-C/CW—Beginning w/ S/N 85330 | 1 |
| **6 | 110007 | Repair Kit (1" Asco) UC-C/CW—Beginning w/ S/N 85330.... | 1 |
| **7 | 110120 | Coil, Solenoid (1" Asco) UC-C/CW—Beginning w/ S/N 85330 | 1 |
| ***8 | 105850 | Nipple (1 X 2)—See Special Note***..... | 1 |
| 9 | 107922 | Box & Cover, Thermostat..... | 1 |
| 10 | 109069 | Thermostat, Control | 1 |
| 11 | 315253 | Weldment, Steam Inlet | 1 |
| 12 | 315254 | Weldment, Steam Outlet | 1 |
| 13 | 104639 | Gasket, Weldment | 2 |
| 14 | 315241 | Coil, Steam, (C3 Section, Wash/Rinse) | 1 |
| | | (Standard Pressure, 15-30 PSI) UC-C/CW | |
| 14 | 307384 | Coil, Steam, C4 Section, Wash/Rinse) | 1 |
| | | (Standard Pressure, 15-30 PSI) UC-C/CW | |
| 15 | 100854 | Valve, Check (1")..... | 1 |
| 16 | 109683 | Flange | A/R |
| 17 | 109985 | O-Ring, Flange..... | 1 |
| 18 | 201110 | Injector, Steam | A/R |
| 19 | 101677 | Nipple, Stainless Steel (1 X 9)..... | A/R |

(See Next Page for Special Steam Coils)

SPECIAL NOTES:

- * Prior to S/N 85330 all UC-C and UC-CW used P/N 109888, Parker 1" Steam Solenoid Valve which is no longer available.
This valve has been replaced by an ASCO 1" Solenoid valve.
Valve repair kits and replacement coils will still be available for the Parker 1" Steam Solenoid valve.
- ** Beginning with S/N 85330 and above all UC-C and UC-CW now use a P/N 110005, Asco 1" Steam Solenoid Valve.
- *** When replacing a Parker 1" Steam Valve with an Asco 1" Steam Valve order Item 8, P/N 105850, Nipple (1 X 2) to compensate for the difference in valve body size between the Parker and Asco valves.

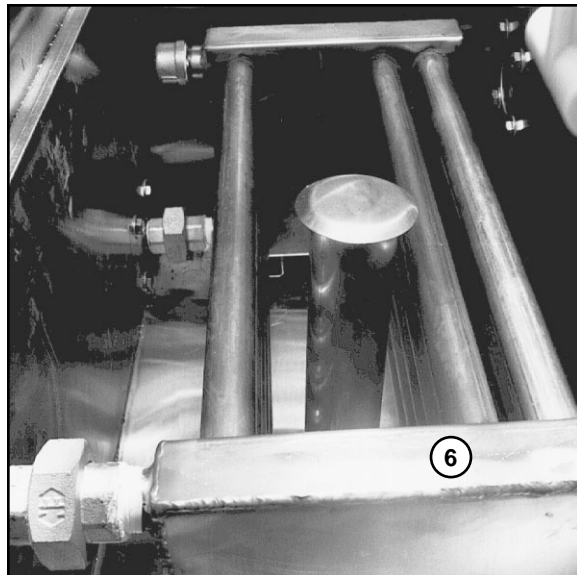
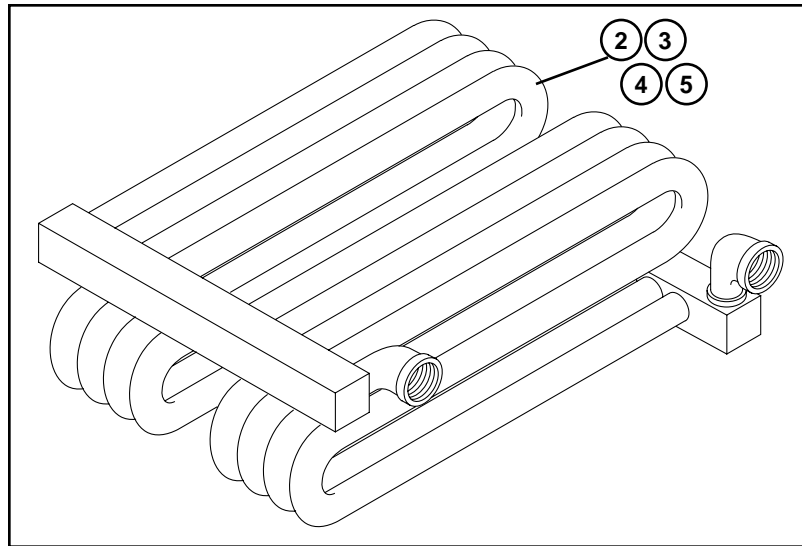
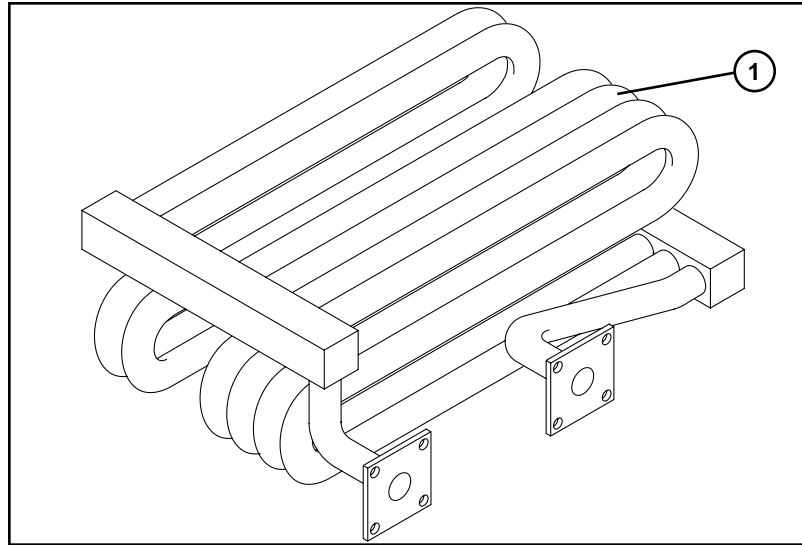


Figure 45 - Steam Coils (Low Pressure / Ultra Low Pressure / EconoRinse)

**LOW PRESSURE STEAM COILS
(11-14 PSI)**

| Fig. 45 Item No. | Part No. | Part Description | Qty. |
|-----------------------------|---------------------|--|-------------|
| 1 | 310554 | Coil, Steam, (C3 Section, Wash/Rinse) (Low Pressure, 11-14 PSI) UC-C | 1 |
| 2 | 315567 | Coil, Steam, (C3 Section, Wash/Rinse) (Low Pressure, 11-14 PSI) UC-CW | 1 |
| 3 | 314737 | Coil, Steam, (C4 Section, Wash/Rinse) (Low Pressure, 11-14 PSI) UC-C/CW | 1 |

**ULTRA LOW PRESSURE STEAM COILS
(7-10 PSI)**

| Fig. 45 Item No. | Part No. | Part Description | Qty. |
|-----------------------------|---------------------|---|-------------|
| 4 | 315567 | Coil, Steam, (C3 Section, Wash/Rinse) (Ultra Low Pressure, 7-10 PSI) UC-C/CW | 1 |
| 5 | 314737 | Coil, Steam, (C4 Section, Wash/Rinse) (Ultra Low Pressure, 7-10 PSI) UC-C/CW | 1 |

**ECONORINSE STANDARD PRESSURE STEAM COIL
EconoRinse Section Option Available on UC-CW Only)**

| Fig. 45 Item No. | Part No. | Part Description | Qty. |
|-----------------------------|---------------------|---|-------------|
| 6 | 316787 | Coil, Steam, (E2 Section, EconoRinse) UC-CW Only | 1 |

| | | | |
|----|--------|---|-----------|
| 41 | 106679 | Key (1/4 X 1/4 X 2-1/2) UC-C/CW | 1 |
| 42 | 100485 | Clutch, Torque Limiter, (Complete Assembly) UC-C/CW | 1 |
| 43 | 102315 | Clutch Disc Assembly (Complete Set #350) UC-C/CW | 1 |
| 44 | 201976 | Sprocket, Drive UC-C/CW | 1 |
| 45 | 104271 | Bushing (.54" Long for Torque Limiter Clutch) UC-C/CW | 1 |
| 46 | 101156 | Chain (#50 5/8" Steel) UC-C/CW | 4-1/2 ft. |
| 47 | 101149 | Link, Connecting #50..... | 1 |
| 48 | 110076 | Tensioner, Chain UC-C/CW | 1 |
| 49 | 106521 | Sprocket, Idler | 1 |
| 50 | 110299 | Gearbox, RH w/ Bracket UC-C/CW..... | 1 |
| 50 | 110300 | Gearbox, LH w/ Bracket UC-C/CW..... | 1 |
| 51 | 105285 | Sprocket, Gearbox (11T) | 1 |
| 52 | 100451 | Sheave, Gearbox (RH/LH) UC-C/CW | 1 |
| 53 | 100791 | V-Belt | 1 |
| 54 | 103164 | Sheave, Motor (C6 Section) UC-C/CW | 1 |
| 54 | 103170 | Sheave, Motor (C8 Section) UC-C/CW | 1 |
| 55 | 107183 | Motor, 1/2 HP (208-240/480V/60/3PH) UC-C/CW | 1 |
| 55 | 180230 | Motor, 1/2 HP (575/60/3PH) UC-C/CW | 1 |
| 55 | 180038 | Motor, 3/4 HP (208-240/480V/60/3PH) UC-CW..... | 1 |
| 56 | 107341 | Switch, Limit, Conveyor Shut-off Shelf UC-C/CW | 1 |
| 57 | 111074 | Lever, Rod Switch..... | 1 |
| 58 | 111075 | Head, Limit Switch | 1 |
| 59 | 309739 | Cover, Conveyor Shut-off UC-C | 1 |
| 59 | 309738 | Cover, Conveyor Shut-off UC-CW..... | 1 |
| 60 | 309725 | Finger, Short Conveyor Shut-off UC-C (Standard Belt w/ upper rod) | 1 |
| 60 | 309719 | Finger, Short Conveyor Shut-off UC-CW(Standard Belt w/ upper rod) | 1 |
| 61 | 309724 | Finger, Long Conveyor Shut-off UC-C (Standard Belt w/o upper rod) | 1 |
| 61 | 309718 | Finger, Long Conveyor Shut-off UC-CW(Standard Belt w/o upper rod) | 1 |
| 62 | 316369 | LH assembly, Conveyor shut-off UC-C/CW | 1 |
| 63 | 316370 | RH assembly, Conveyor shut-off UC-C/CW | 1 |
| 64 | 316366 | Top, Conveyor Shut-off UC-C..... | 1 |
| 64 | 316367 | Top, Conveyor Shut-off UC-CW | 1 |

THIS PAGE
INTENTIONALLY
LEFT BLANK

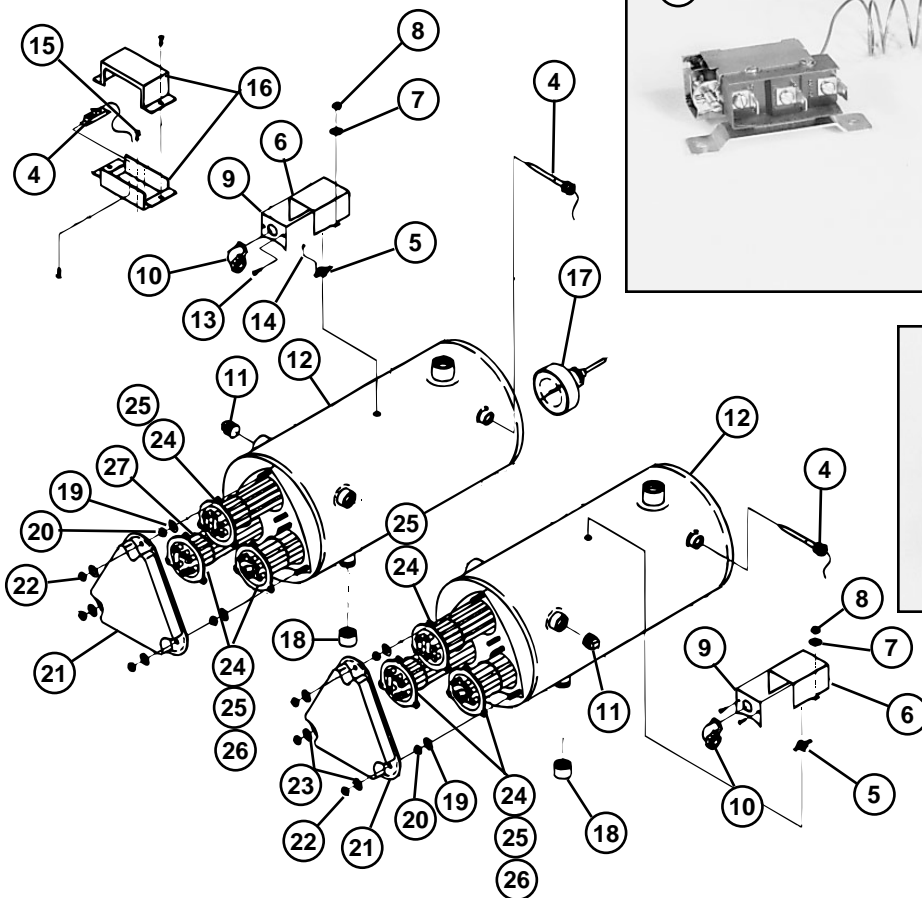
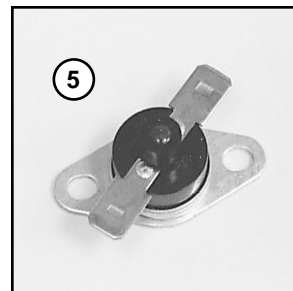
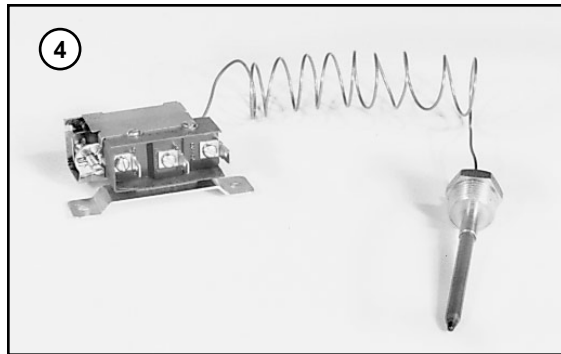
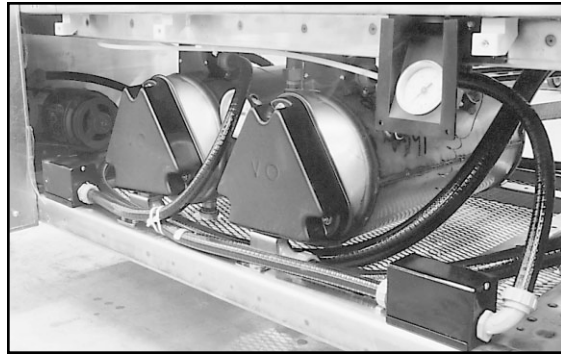


Figure 46 - Electric Booster

ELECTRIC BOOSTER

| Fig. 46 Item No. | Part No. | Part Description | Qty. |
|-----------------------------|---------------------|--|-------------|
| 1 | 109887 | Valve, Solenoid (3/4")..... | 1 |
| — | 109903 | Repair Kit, Solenoid Valve (3/4")..... | 1 |
| — | 108516 | Coil, Solenoid Valve (3/4")..... | 1 |
| 2 | 109886 | Valve, Solenoid (1/2")..... | A/R |
| — | 109902 | Repair Kit, Solenoid Valve (1/2")..... | 1 |
| — | 108516 | Coil, Solenoid Valve (1/2")..... | 1 |
| 3 | 107550 | Valve, Pressure Reducing (3/4")..... | 1 |
| 4 | 109069 | Thermostat, Control (one per tank)..... | A/R |
| 5 | 110562 | Thermostat, High Limit (one per tank)..... | A/R |
| 6 | 110929 | Box, High Limit Thermostat (one per tank)..... | A/R |
| 7 | 107033 | Washer, Flat #10..... | 2 |
| 8 | 107966 | Nut, Grip (10-32 w/ Nylon Insert)..... | 2 |
| 9 | 110930 | Cover, Box, High Limit Thermostat (one per tank)..... | A/R |
| 10 | 103217 | Connector, Sealtite Elbow (1/2 X 90°)..... | 1 |
| 11 | 102505 | Plug, Brass (3/4 NPT)..... | 1 |
| *12 | 305407 | Tank, Booster (Specify Model Number of Machine)..... | A/R |
| 13 | 111319 | Screw (6-32 X 1/2 Truss Head) (two per box)..... | A/R |
| 14 | 107966 | Nut, Grip (10-32 w/ Nylon Insert) (two per high limit thermostat)..... | A/R |
| 15 | 100100 | Screw (8-32 X 1/4 Rhd Head) (two per box)..... | A/R |
| 16 | 107922 | Box and Cover Assembly, Thermostat (one per tank)..... | A/R |
| 17 | 104682 | Thermometer (2" Stem)..... | A/R |
| 18 | 102505 | Plug, Brass (3/4" NPT) (one per tank)..... | A/R |
| 19 | 106482 | Washer, Split (1/4") (three per element)..... | A/R |
| 20 | 100003 | Nut, Plain (1/4") (three per element)..... | A/R |
| 21 | 108576 | Cover, Booster (one per tank)..... | A/R |
| 22 | 107967 | Nut, Grip (1/4-20 w/ Nylon Insert) (three per booster cover)... | A/R |
| 23 | 106026 | Washer, Flat (1/4") (three per booster cover)..... | A/R |
| 24 | 111235 | Element, Booster (5KW, 208V/3PH)..... | A/R |
| 24 | 111236 | Element, Booster (5KW, 240V/3PH)..... | A/R |
| 24 | 111235 | Element, Booster (5KW, 380V/3PH) (Connected WYE)..... | A/R |
| 24 | 111236 | Element, Booster (5KW, 415V/3PH) (Connected WYE)..... | A/R |
| 24 | 111237 | Element, Booster (5KW, 480V/3PH)..... | A/R |
| 24 | 111384 | Element, Booster (5KW, 575V/3PH)..... | A/R |
| 27 | 109985 | O-Ring, Booster Element (one per element)..... | A/R |
| 25 | 111308 | Element, Booster (9KW, 208V/3PH)..... | A/R |
| 25 | 111305 | Element, Booster (9KW, 240V/3PH)..... | A/R |
| 25 | 111308 | Element, Booster (9KW, 380V/3PH) (Connected WYE)..... | A/R |
| 25 | 111305 | Element, Booster (9KW, 415V/3PH) (Connected WYE)..... | A/R |

ELECTRIC BOOSTER (CONT.)

| Fig. 46 Item No. | Part No. | Part Description | Qty. |
|-----------------------------|---------------------|--|-------------|
| 25 | 108579 | Element, Booster (9KW, 480V/3PH)..... | A/R |
| 25 | 111122 | Element, Booster (9KW, 575V/3PH)..... | A/R |
| 27 | 109985 | O-Ring, Booster Element (one per element) | A/R |
| 26 | 112059 | Element, Booster (12KW, 208V/3PH)..... | A/R |
| 26 | 111334 | Element, Booster (12KW, 240V/3PH)..... | A/R |
| 26 | 112059 | Element, Booster (12KW, 380V/3PH) (Connected WYE)..... | A/R |
| 26 | 111334 | Element, Booster (12KW, 415V/3PH) (Connected WYE)..... | A/R |
| 26 | 112060 | Element, Booster (12KW, 480V/3PH)..... | A/R |
| 26 | 112061 | Element, Booster (12KW, 575V/3PH)..... | A/R |
| 26 | 111265 | Element, Booster (18KW, 208V/3PH)..... | A/R |
| 26 | 111266 | Element, Booster (18KW, 240V/3PH)..... | A/R |
| 26 | 111265 | Element, Booster (18KW, 380V/3PH) (Connected WYE)..... | A/R |
| 26 | 111266 | Element, Booster (18KW, 415V/3PH) (Connected WYE)..... | A/R |
| 26 | 111267 | Element, Booster (18KW, 480V/3PH)..... | A/R |
| 26 | 111600 | Element, Booster (18KW, 575V/3PH)..... | A/R |
| 27 | 109985 | O-Ring, Booster Element (one per element) | A/R |

***SPECIAL NOTE:** Optional Electric Boosters are available in a number of TOTAL KILOWATT Configurations. Refer to the Chart below to determine the number of Booster tanks and total number of elements for the most common configurations.

| Total Kilowatt of Booster Tanks | Total Number of Booster Tanks | Total Number of Elements | Element Combinations |
|--|--|-------------------------------------|---------------------------------|
| 23KW | 1 | 3 | (2) 9KW & (1) 5KW |
| 27KW | 1 | 3 | (3) 9KW |
| 36KW | 1 | 3 | (2) 9KW & (1) 18KW |
| 45KW | 2 | 5 | (5) 9KW |
| 54KW | 2 | 6 | (6) 9KW |
| 63KW | 2 | 7 | (5) 9KW & (2) 18KW |
| 72KW | 3 | 8 | (8) 9KW |
| 57KW | 2 | 6 | (5) 9KW & (1) 12KW |

STEAM BOOSTER

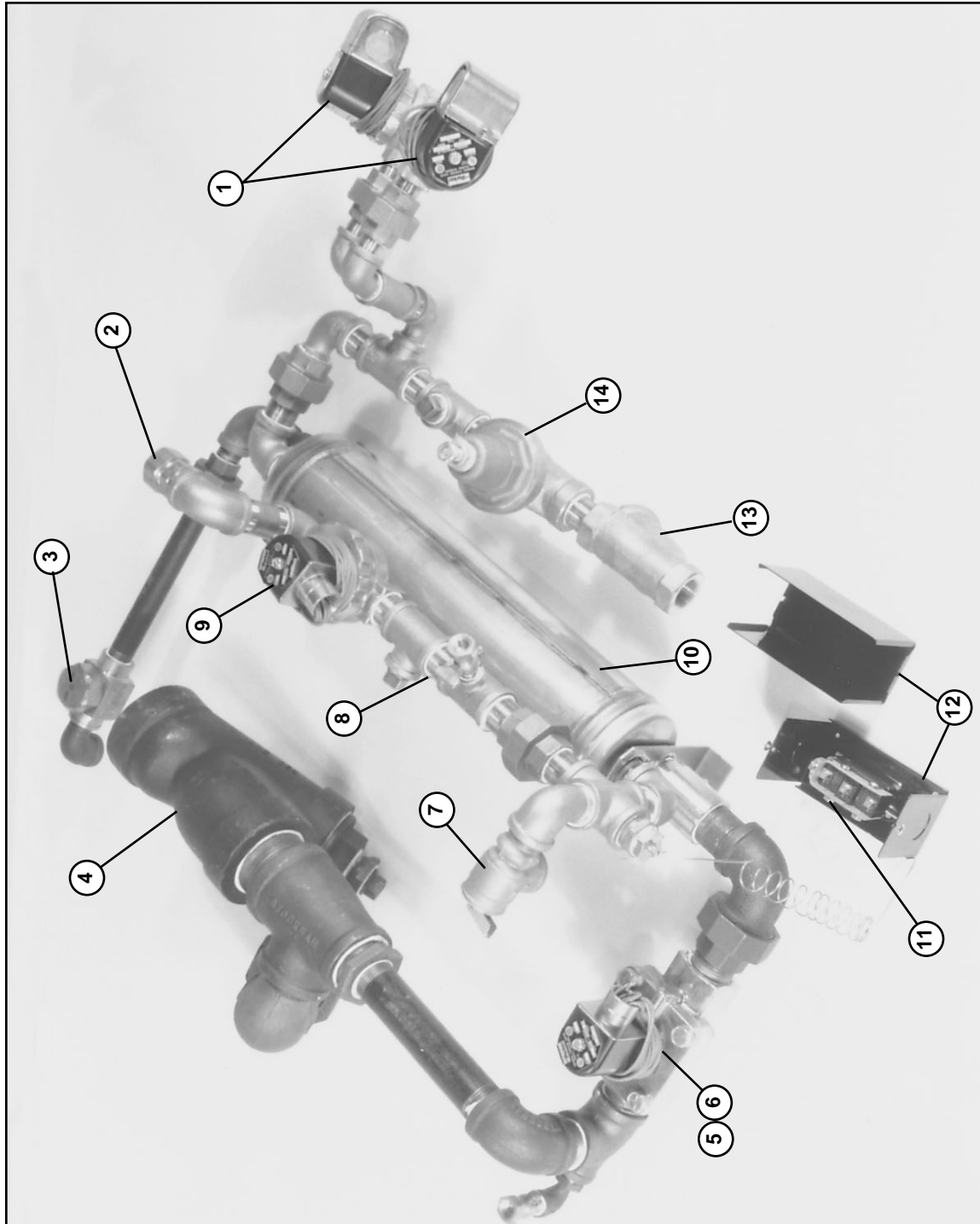
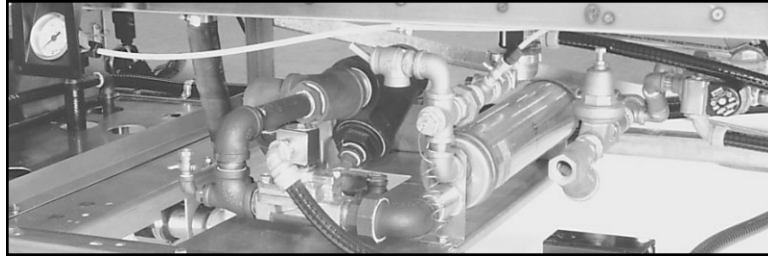


Figure 47 - Steam Booster

STEAM BOOSTER

| Fig. 47 Item No. | Part No. | Part Description | Qty. |
|-----------------------------|---------------------|---|-------------|
| 1 | 109886 | Valve, Solenoid (1/2")..... | 2 |
| — | 109902 | Repair Kit, Solenoid Valve (1/2")..... | 1 |
| — | 108516 | Coil, Solenoid Valve (1/2")..... | 1 |
| 2 | 109879 | Fitting, Compression (7/8" OD X 3/4 NPT Male) | 1 |
| 3 | 111380 | Trap, Steam | 1 |
| 4 | 106051 | Strainer, Line (2")..... | 1 |
| *5 | 109888 | Valve, Steam Solenoid (1" Parker) UC-C/CW—Prior to S/N 85330 | NLA |
| — | 109904 | Repair Kit (1" Parker) UC-C/CW—Prior to S/N 85330 | 1 |
| — | 108516 | Coil, Solenoid (1" Parker) UC-C/CW—Prior to S/N 85330..... | 1 |
| **6 | 110005 | Valve Steam Solenoid (1" Asco) UC-C/CW—Beginning w/ S/N 85330 | 1 |
| ***6 | 105850 | Nipple (1 X 2)—See Special Note*** | 1 |
| — | 110007 | Repair Kit (1" Asco) UC-C/CW—Beginning w/ S/N 85330.... | 1 |
| — | 110120 | Coil, Solenoid (1" Asco) UC-C/CW—Beginning w/ S/N 85330 | 1 |
| 7 | 104649 | Valve, Relief (3/4") | 1 |
| 8 | 100123 | Cock, Gauge (1/4") | 1 |
| 9 | 111437 | Valve, Solenoid, Hot Water (3/4") | 1 |
| — | 109903 | Repair Kit, Solenoid Valve (3/4")..... | 1 |
| — | 108516 | Coil, Solenoid Valve (3/4")..... | 1 |
| 10 | 311653 | Booster, Tank Assembly | 1 |
| 11 | 109069 | Thermostat, Control | 1 |
| 12 | 107922 | Box & Cover Assembly, Thermostat | 1 |
| 13 | 110768 | Strainer, Line (3/4") | 1 |
| 14 | 107550 | Valve, Pressure Reducing (3/4") | 1 |
| — | 600752 | Booster Assembly Complete (Includes Items 1-4, 6, 7-13) | 1 |

SPECIAL NOTES:

- * Prior to S/N 85330 all UC-C and UC-CW used P/N 109888, Parker 1" Steam Solenoid Valve which is no longer available. This valve has been replaced by an ASCO 1" Solenoid valve. Valve repair kits and replacement coils will still be available for the Parker 1" Steam Solenoid valve.
- ** Beginning with S/N 85330 and above all UC-C and UC-CW now use a P/N 110005, Asco 1" Steam Solenoid Valve.
- *** When replacing a Parker 1" Steam Valve with an Asco 1" Steam Valve order, P/N 105850, Nipple (1 X 2) to compensate for the difference in valve body size between the Parker and Asco valves.

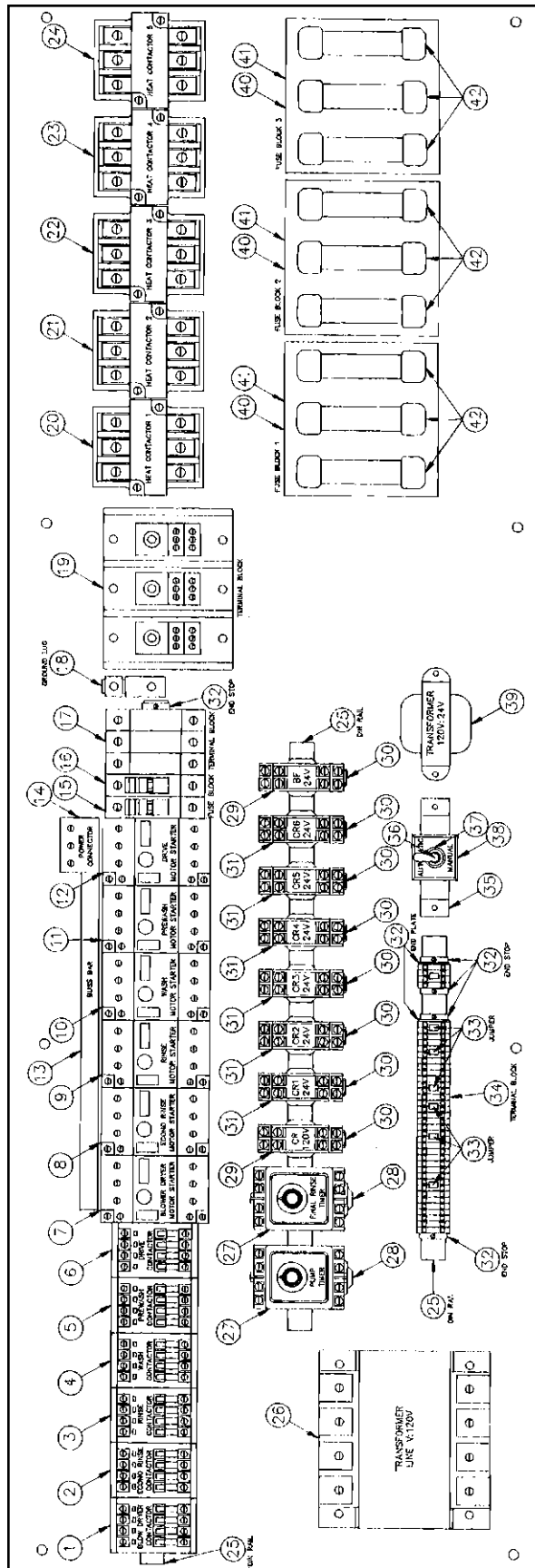
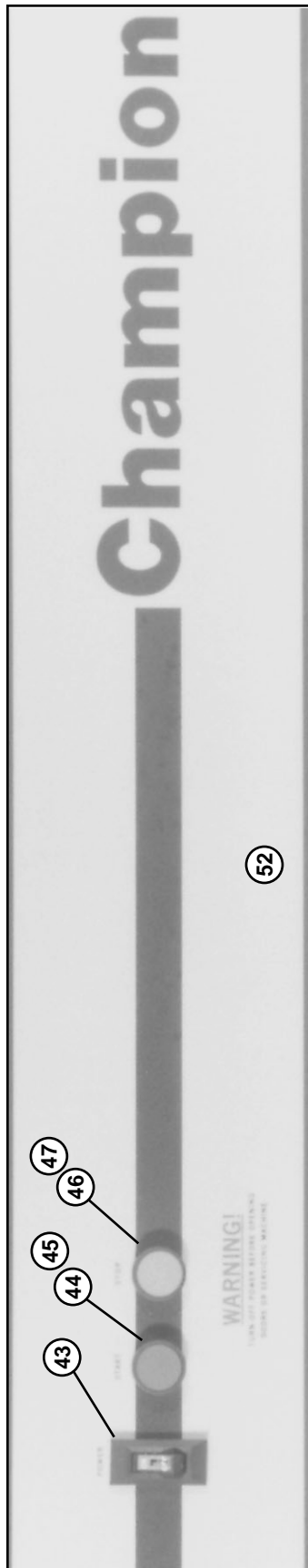
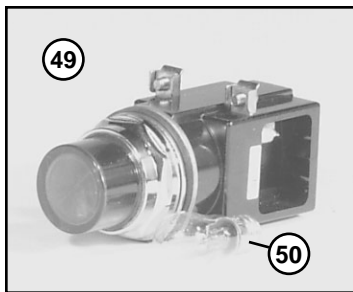
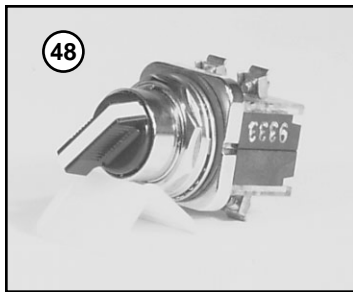


Figure 48 - Control Cabinet

CONTROL CABINET

| Fig. 48 Item No. | Part No. | Part Description | Qty. |
|---------------------|-------------|---|------|
| 1 | 111642 | Contactor, (Motor)12A w/ Aux Switch (Opt. Steam Blower Dryer) | 1 |
| 2 | 111642 | Contactor, (Motor) 12A w/ Aux Switch (Opt. Econo Rinse) UC-CW Only | 1 |
| 3 | 111642 | Contactor, (Motor) 12A w/ Aux Switch (Power Rinse Pump Motor) .. | 1 |
| 4 | 111642 | Contactor, (Motor) 12A w/ Aux Switch (Wash Pump Motor) .. | 1 |
| 5 | 111642 | Contactor, (Motor) 12A w/ Aux Switch (Prewash Pump Motor) | 1 |
| 6 | 111642 | Contactor, (Motor) 12A w/ Aux Switch (Drive Motor) | 1 |
| 7 | 111629 | Overload, Motor Starter-2HP (Opt.Steam Blower Dryer) (208-240V/3PH) | 1 |
| 7 | 111628 | Overload, Motor Starter-2HP (Opt. Steam Blower Dryer) (380V/3PH) | 1 |
| 7 | 111627 | Overload, Motor Starter-2HP (Opt. Steam Blower Dryer) (415V/3PH) | 1 |
| 7 | 111627 | Overload, Motor Starter-2HP (Opt. Steam Blower Dryer) (480V/3PH) | 1 |
| 7 | 111627 | Overload, Motor Starter-2HP (Opt. Steam Blower Dryer) (575V/3PH) | 1 |
| 8 | 111625 | Overload, Motor Starter-1/4HP (Opt. EconoRinse) (208-240V/3PH) ... | 1 |
| 8 | 111624 | Overload, Motor Starter-1/4HP (Opt. EconoRinse) (380-415V/3PH) ... | 1 |
| 8 | 111624 | Overload, Motor Starter-1/4HP (Opt.EconoRinse) (480V/3PH) | 1 |
| 8 | 111628 | Overload, Motor Starter-1/4HP (Opt. EconoRinse) (575V/3PH) | 1 |
| 9 | 111629 | Overload, Motor Starter-3HP Power Rinse (208-240V/3PH) ... | 1 |
| 9 | 111628 | Overload, Motor Starter-3HP Power Rinse (380-415V/3PH) ... | 1 |
| 9 | 111628 | Overload, Motor Starter-3HP Power Rinse (480V/3PH) | 1 |
| 9 | 111627 | Overload, Motor Starter-3HP Power Rinse (575V/3PH) | 1 |
| 10 | 111629 | Overload, Motor Starter-3HP Wash (208-240V/3PH)..... | 1 |
| 10 | 111628 | Overload, Motor Starter-3HP Wash (380-415V/3PH)..... | 1 |
| 10 | 111628 | Overload, Motor Starter-3HP Wash (480V/3PH) | 1 |
| 10 | 111627 | Overload, Motor Starter-3HP Wash (575V/3PH) | 1 |
| 11 | 111627 | Overload, Motor Starter-1HP Prewash (208-240V/3PH) | 1 |
| 11 | 111626 | Overload, Motor Starter-1HP Prewash (380-415V/3PH) | 1 |
| 11 | 111626 | Overload, Motor Starter-1HP Prewash (480V/3PH) | 1 |
| 11 | 111625 | Overload, Motor Starter-1HP Prewash (575V/3PH) | 1 |
| 11 | 112691 | Overload, Motor Starter-2HP Prewash (208-240V/3PH) | 1 |
| 11 | 111627 | Overload, Motor Starter-2HP Prewash (380-415V/3PH) | 1 |
| 11 | 111627 | Overload, Motor Starter-2HP Prewash (480V/3PH) | 1 |
| 11 | 112692 | Overload, Motor Starter-2HP Prewash (575V/3PH) | 1 |
| 11 | 111629 | Overload, Motor Starter-3HP Prewash (208-240V/3PH) | 1 |
| 11 | 111628 | Overload, Motor Starter-3HP Prewash (380-415V/3PH) | 1 |
| 11 | 111628 | Overload, Motor Starter-3HP Prewash (480V/3PH) | 1 |
| 11 | 111627 | Overload, Motor Starter-3HP Prewash (575V/3PH) | 1 |
| 12 | 111626 | Overload, Motor Starter-1/2HP Drive (208-240V/3PH) | 1 |
| 12 | 111625 | Overload, Motor Starter-1/2HP Drive (380-415V/3PH) | 1 |
| 12 | 111625 | Overload, Motor Starter-1/2HP Drive (480V/3PH)..... | 1 |
| 12 | 111624 | Overload, Motor Starter-1/2HP Drive (575V/3PH)..... | 1 |
| 13 | 111633 | Bus Bar, 2 Unit..... | 1 |
| 13 | 111671 | Bus Bar, 3 Unit..... | 1 |
| 13 | 111634 | Bus Bar, 4 Unit..... | 1 |
| 13 | 111635 | Bus Bar, 5 Unit..... | 1 |
| 14 | 111636 | Power Connector, 3 Pole..... | 1 |

CONTROL CABINET (CONT.)

| Fig. 48 Item No. | Part No. | Part Description | Qty. |
|---------------------|-------------|--|------|
| 15 | 111153 | Fuse Block..... | 2 |
| 16 | 111823 | Fuse, 6A (208-240V) | 2 |
| 16 | 111822 | Fuse 5A (380-415V) | 2 |
| 16 | 111821 | Fuse 3A (480-575V) | 2 |
| 17 | 110912 | Block, Terminal (115 AMP) | 1 |
| 18 | 103310 | Wire Lug, Ground (Use with 115A Terminal Block) | 1 |
| 18 | 103311 | Wire Lug, Ground (Use with 200A or 310A Terminal Block) . | 1 |
| 19 | 110971 | Block, Terminal (200 AMP) | 1 |
| 19 | 109014 | Block, Terminal (310 AMP) | 1 |
| *20 | 105514 | Contactor, (Heat-Electric) 50Amp 3 Pole..... | A/R |
| *20 | 103210 | Contactor, (Heat-Electric) 60Amp 3 Pole..... | A/R |
| *21 | 105514 | Contactor, (Heat-Electric) 50Amp 3 Pole..... | A/R |
| *21 | 103210 | Contactor, (Heat-Electric) 60Amp 3 Pole..... | A/R |
| *22 | 105514 | Contactor, (Heat-Electric) 50Amp 3 Pole..... | A/R |
| *22 | 103210 | Contactor, (Heat-Electric) 60Amp 3 Pole..... | A/R |
| *23 | 105514 | Contactor, (Heat-Electric) 50Amp 3 Pole..... | A/R |
| *23 | 103210 | Contactor, (Heat-Electric) 60Amp 3 Pole..... | A/R |
| *24 | 105514 | Contactor, (Heat-Electric) 50Amp 3 Pole..... | A/R |
| *24 | 103210 | Contactor, (Heat-Electric) 60Amp 3 Pole..... | A/R |
| 25 | 110849 | Din Rail (Specify Length)..... | A/R |
| 26 | 107091 | Transformer, Control 500VA (208-240V/3PH,480V/3PH) | 1 |
| 26 | 109148 | Transformer, Control 500VA (380-415V/3PH) | 1 |
| 26 | 111046 | Transformer, Control 500VA (575V/3PH)..... | 1 |
| 27 | 112351 | Timer (0-6 Min.) beginning Serial No. 89120..... (Directly replaces Timer P/N 109338 used previously) | 1 |
| 28 | 112352 | Socket, Timer, beginning Serial No. 89120..... (Not necessary if replacing timer P/N 109338) | 1 |
| 29 | 111068 | Relay, 120VAC..... | 1 |
| 30 | 111036 | Socket, Relay (one per relay)..... | A/R |
| 31 | 111067 | Relay, 24VAC..... | A/R |
| 32 | 110900 | End Stop, Din Rail | 4 |
| 33 | 110901 | Jumper, Terminal Block | A/R |
| 34 | 110862 | Block, Terminal..... | 1 |
| 35 | 304326 | Bracket, Switch | 1 |
| 36 | 107198 | Switch, Toggle (Bypass) | 1 |
| 37 | 108370 | Washer, Lock..... | 1 |
| 38 | 104858 | Nameplate (Automatic/Overload)..... | 1 |
| 39 | 111277 | Transformer, Control (120VAC to 24VAC)..... | 1 |

****SPECIAL NOTE:**

Heat Contactors, Fuse Blocks, and Fuses depend on the Electric Heat Options installed.
Refer to Figure 59 — UC Electric Tank Heat — page 122.

The Data Tables list: Total Tank Heater Kilowatts
Recommended Contactor Amp Rating
Required Fuse Rating

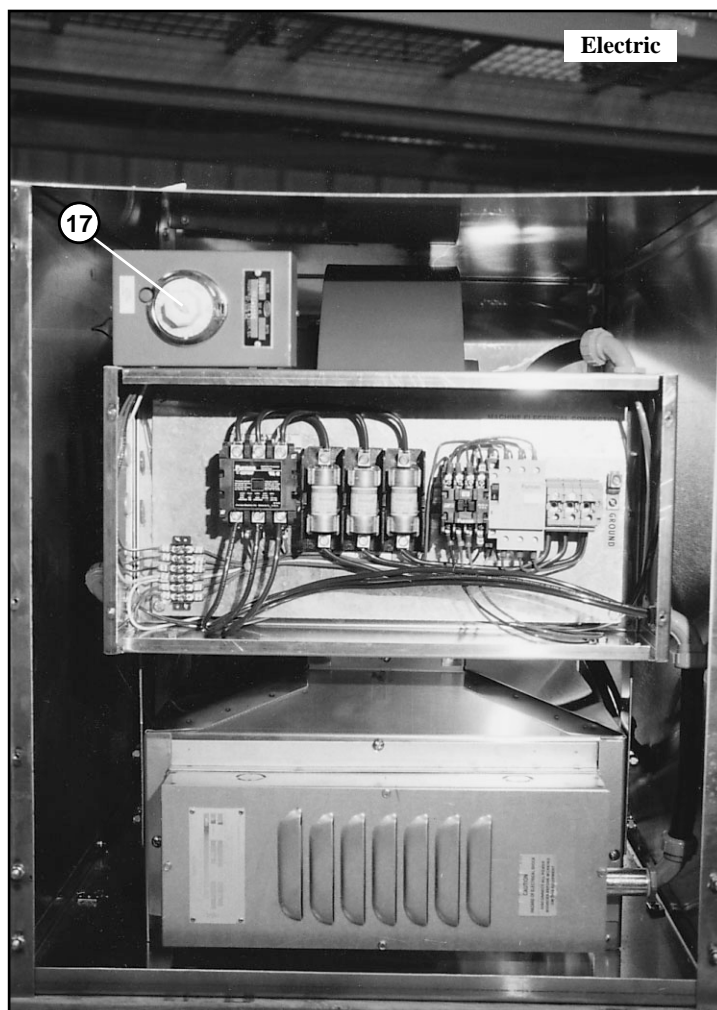
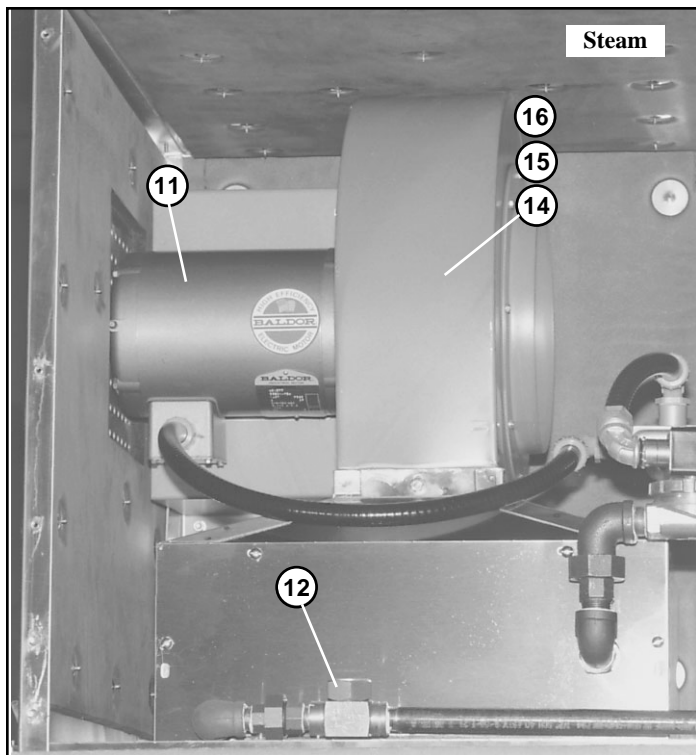
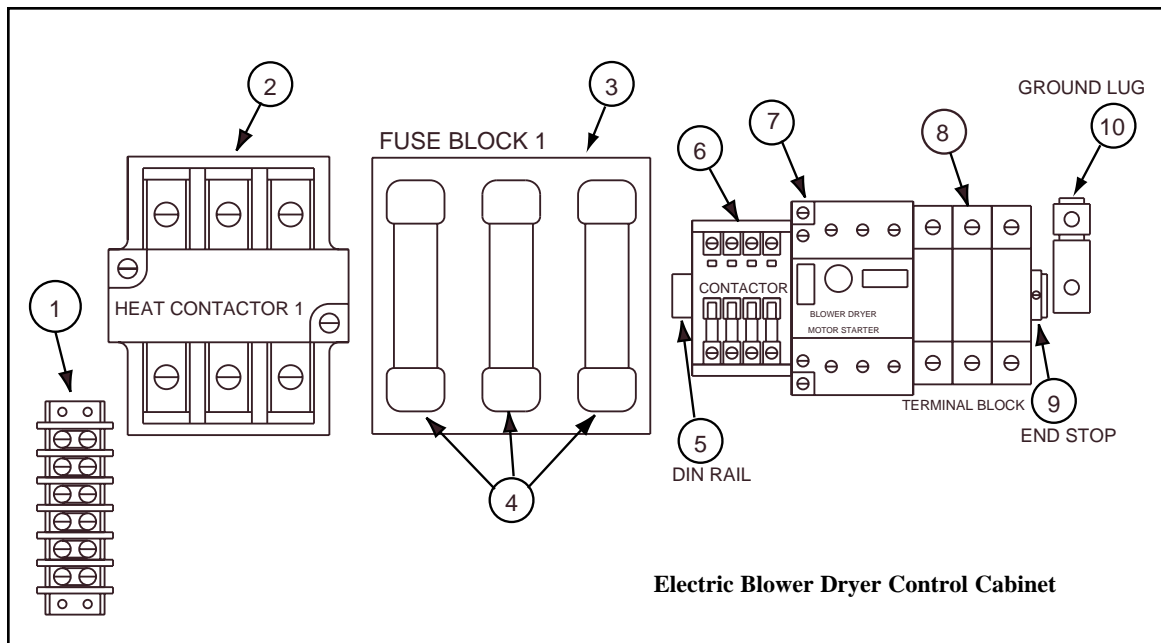
CONTROL CABINET (CONT.)

| Fig. 48 Item No. | Part No. | Part Description | Qty. |
|---------------------|-------------|--|------|
| **40 | 180171 | Fuse Block 600V (15Amp to 60Amp Fuse)..... | A/R |
| **41 | 108424 | Fuse Block 600V (70Amp to 100Amp Fuse)..... | A/R |
| **42 | 111682 | Fuse 15A (Class J) | A/R |
| **42 | 180243 | Fuse 25A (Class J) | A/R |
| **42 | 111683 | Fuse 30A (Class J) | A/R |
| **42 | 180172 | Fuse 35A (Class J) | A/R |
| **42 | 180173 | Fuse 40A (Class J) | A/R |
| **42 | 180174 | Fuse 45A (Class J) | A/R |
| **42 | 180175 | Fuse 50A (Class J) | A/R |
| **42 | 180176 | Fuse 60A (Class J) | A/R |
| **42 | 180060 | Fuse 70A (Class T) | A/R |
| **42 | 180059 | Fuse 80A (Class T) | A/R |
| **42 | 108448 | Fuse 90A (Class T) | A/R |
| **42 | 180042 | Fuse 100A (Class T) | A/R |
| 43 | 110844 | Power Switch/Circuit Breaker 5A (Prior to S/N 86995)..... | 1 |
| 43 | 111980 | Power Switch/Circuit Breaker 5A (Beginning with S/N 86995 and above)..... | 1 |
| 44 | 111614 | Pushbutton-(Green)-Start | 1 |
| 45 | 111617 | Contact Block (NO) | 1 |
| 46 | 111615 | Pushbutton-(Red)-Stop..... | 1 |
| 47 | 111616 | Contact Block (NC) | 1 |
| 48 | 100322 | Optional Selector Switch (2 Position) | A/R |
| — | 100305 | Contact Block (NO), Selector Switch..... | 1 |
| — | 100304 | Contact Block (NC), Selector Switch | 1 |
| 49 | 100302 | Optional Pilot Lght..... | A/R |
| 50 | 104759 | Bulb, Pilot Light..... | 1 |
| 51 | 107351 | Optional Toggle Switch..... | 1 |
| 52 | 111156 | Decal (38"/48") | 1 |

****SPECIAL NOTE:**

Heat Contactors, Fuse Blocks, and Fuses depend on the Electric Heat Options installed.
Refer to Figure 59 — UC Electric Tank Heat — page 118.

The Data Tables list: Recommended Contactor Amp Rating
Required Fuse Rating
Total Tank Heater Kilowatts



Note:

Steam Blower Dryer Electrical Control Components are located in Main Control Cabinet.

(See Figure 48, Page 96 for Parts)

Figure 49 - Blower Dryer (Optional)

OPTIONAL BLOWER DRYER (BD5)

| Fig. 49 Item No. | Part No. | Part Description | Qty. |
|---------------------|-------------|--|-------------------------------|
| 1 | 108272 | Terminal Block..... | 1 |
| 2 | 111231 | Contactor, (Heat-Electric) 75A 3 Pole (208-240V/3PH)..... | 1 |
| 2 | 103210 | Contactor, (Heat-Electric) 60A 3 Pole (380-415V/3PH)..... | 1 |
| 2 | 105514 | Contactor, (Heat-Electric) 50A 3 Pole (480V/3PH)..... | 1 |
| 2 | 105514 | Contactor, (Heat-Electric) 50A 3 Pole (575V/3PH)..... | 1 |
| 3 | 108424 | Block, Fuse 600V (100Amp) (208-240V/3PH)..... | 1 |
| 3 | 180171 | Block, Fuse 600V (60Amp) (380-415, 480, 575V/3PH)..... | 1 |
| 4 | 108448 | Fuse 90A (JJN Class T) (208V/3PH) | 3 |
| 4 | 180059 | Fuse 80A (JJN Class T) (240V/3PH) | 3 |
| 4 | 180176 | Fuse 60A (A4J) (380-415V/3PH)..... | 3 |
| 4 | 180174 | Fuse 45A (A4J) (480V/3PH) | 3 |
| 4 | 180172 | Fuse 35A (A4J) (575V/3PH) | 3 |
| 5 | 204558 | Din Rail | 1 |
| 6 | 111642 | Contactor, (Motor) 12A w/ Aux Switch (All Voltages)..... | 1 |
| 7 | 111629 | Overload, Motor Starter-2HP (208-240V/60/3PH) | 1 |
| 7 | 111628 | Overload, Motor Starter-2HP (380-415V/60/3PH) | 1 |
| 7 | 111627 | Overload, Motor Starter-2HP (480V/60/3PH)..... | 1 |
| 7 | 111627 | Overload, Motor Starter-2HP (575V/60/3PH)..... | 1 |
| 8 | 110912 | Block, Terminal 115A..... | 3 |
| 9 | 110900 | End Stop | 2 |
| 10 | 103310 | Wire Lug, Ground | 1 |
| — | 108338 | Element, Heater (25KW, 208V/60/3PH) | 1 |
| — | 108339 | Element, Heater (25KW, 240V/60/3PH) | 1 |
| — | 108340 | Element, Heater (25KW, 480V/60/3PH) | 1 |
| — | 111138 | Element, Heater (25KW, 575V/60/3PH) | 1 |
| 11 | 101201 | Motor, Blower 2HP (208-240/480V/60/3PH) (Steam or Electric) (Prior to S/N 87550)..... | 1 |
| 11 | 111830 | Motor, Blower 2HP (208-240/480V/60/3PH) (Steam or Electric) (Beginning with S/N 87550)..... | 1 |
| 11 | 180234 | Motor, Blower 2HP (575V/60/3PH) (Steam or Electric) (Prior to S/N 87550)..... | 1 |
| 11 | 112111 | Motor, Blower 2HP (575V/60/3PH) (Steam or Electric) (Beginning with S/N 87550)..... | 1 |
| 12 | 111380 | Trap, Steam | 1 |
| 13 | 109887 | Valve, Solenoid (3/4") | 1 |
| — | 109903 | Repair Kit, Solenoid Valve (3/4") | 1 |
| — | 108516 | Coil, Solenoid Valve (3/4") | 1 |
| 14 | 110150 | Housing Assy, Blower (Steam or Electric) (Prior to S/N 87550)..... | 1 |
| | | Includes: | |
| | | 1 P/N 112032 Inlet Cone | 1 P/N 112035 Pedestal, Drive |
| | | 1 112033 Housing Assy | 1 112110 Inlet Cone, Shoulder |
| | | 1 112034 Upper Drive, Side | 1 111992 Impeller |
| 14 | 410865 | Housing Assy, Blower (Steam or Electric) (Beginning with S/N 87550) | 1 |
| | | Includes: | |
| | | 1 P/N 112032 Inlet Cone | 1 P/N 112035 Pedestal |
| | | 1 112033 Housing Assy | 1 111831 Impeller |
| | | 1 112034 Upper Drive, Side | |
| 15 | 204788 | Wheel, Blower (Clockwise) (R-L install) (Steam or Electric) | A/R |
| 16 | 204787 | Wheel, Blower (CCW) (L-R install) (Steam or Electric) | A/R |
| — | 109987 | Coil, Steam (Not Shown)..... | 1 |
| 17 | 108335 | Thermostat..... | 1 |

Note: See Appendix B, page 108 for instructions to convert a BD5 blower dryer built prior to S/N 87550 to a high pressure BD5.

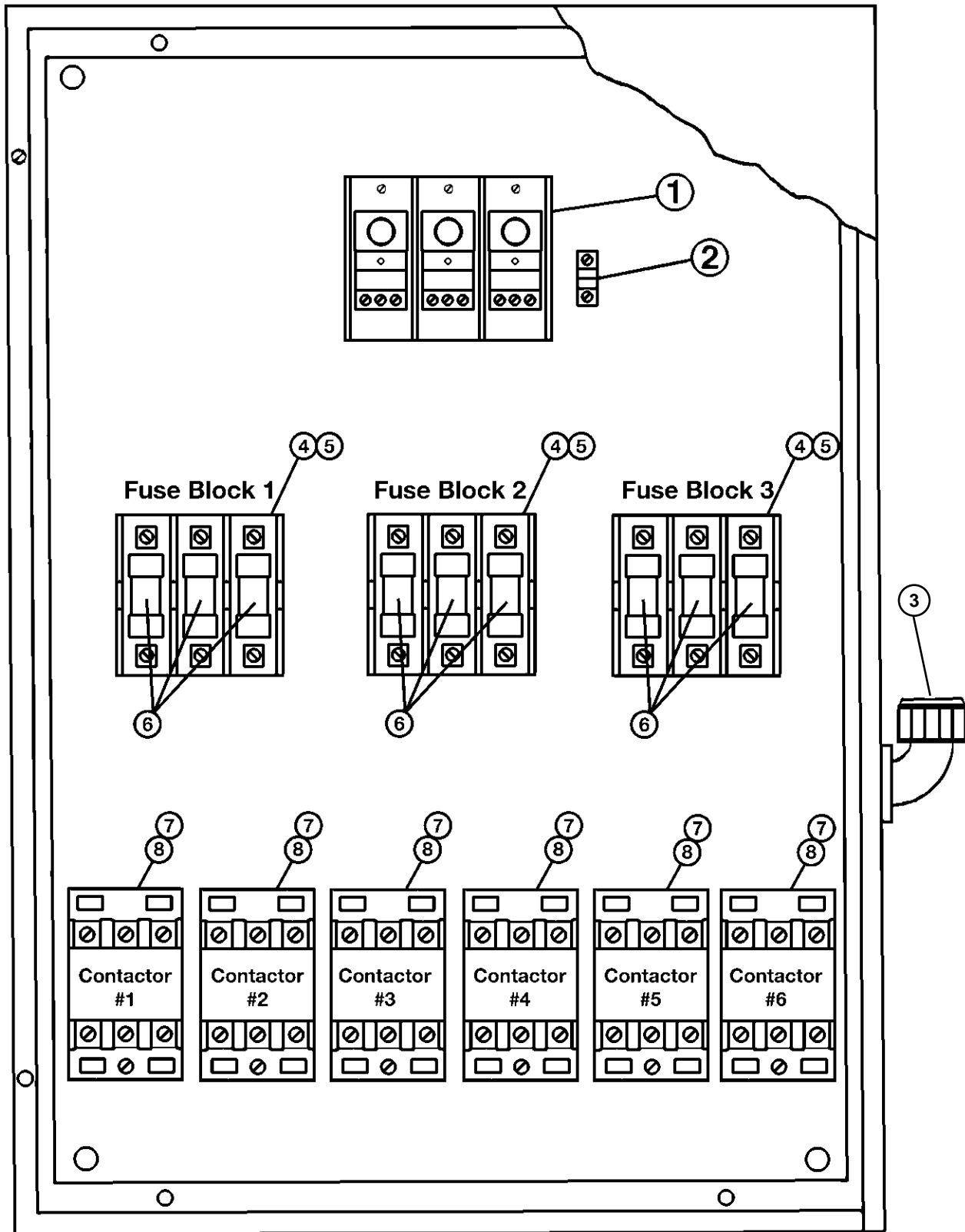


Figure 50 - Control Panel, Electric Booster

CONTROL PANEL, ELECTRIC BOOSTER

| Fig. 50 Item No. | Part No. | Part Description | Qty. |
|-----------------------------|---------------------|--|-------------|
| 1 | 109014 | Block, Terminal 310A (All Voltages) | 1 |
| 2 | 103310 | Wire Lug, Ground | 1 |
| 3 | 110920 | Connector, Sealtite (1" X 90°) | 1 |
| 4 | 108424 | Block, Fuse 600V (100Amp) (208-240V/60/3PH)..... | A/R |
| 5 | 180171 | Block, Fuse 600V (60Amp) (380-415, 480, 575V/60/3PH) | A/R |
| 6 | 180172 | Fuse 35A (Class J) | A/R |
| 6 | 180173 | Fuse 40A (Class J) | A/R |
| 6 | 180174 | Fuse 45A (Class J) | A/R |
| 6 | 180175 | Fuse 50A (Class J) | A/R |
| 6 | 180176 | Fuse 60A (Class J) | A/R |
| 6 | 180060 | Fuse 70A (Class T) | A/R |
| 6 | 180059 | Fuse 80A (Class T) | A/R |
| 6 | 108448 | Fuse 90A (Class T) | A/R |
| 6 | 180042 | Fuse 100A (Class T) | A/R |
| 7 | 103210 | Contactor, (Heat-Electric) 60A 3 Pole | A/R |
| 8 | 105514 | Contactor, (Heat-Electric) 50A 3 Pole | A/R |

Refer to the Charts below for the Booster Cabinet Components for the 45KW, 54KW, 72KW and 81KW Electric Boosters.

Refer to the Booster Wiring Diagram charts for the 23KW, 27KW, 36KW, and 63KW Booster Component data.

45KW Booster 208V

| Component | Rating | P/N |
|----------------------|--------|--------|
| Contact #1, 3 | 60A | 103210 |
| Contact #2 | 50A | 105514 |
| Fuse Block #1, 2 | 100A | 108424 |
| Fuses for (Block #1) | 100A | 180042 |
| Fuses for (Block #2) | 70A | 180060 |

45KW Booster 240V

| Component | Rating | P/N |
|----------------------|--------|--------|
| Contact #1, 3 | 60A | 103210 |
| Contact #2 | 50A | 105514 |
| Fuse Block #1, 2 | 100A | 108424 |
| Fuses for (Block #1) | 90A | 108448 |
| Fuses for (Block #2) | 70A | 180060 |

45KW Booster 380V

| Component | Rating | P/N |
|----------------------|--------|--------|
| Contact #1 | 60A | 103210 |
| Contact #3 | 50A | 105514 |
| Fuse Block #1, 2 | 60A | 180171 |
| Fuses for (Block #1) | 60A | 180176 |
| Fuses for (Block #2) | 45A | 180174 |

45KW Booster 415V

| Component | Rating | P/N |
|----------------------|--------|--------|
| Contact #1 | 60A | 103210 |
| Contact #3 | 50A | 105514 |
| Fuse Block #1, 2 | 60A | 180171 |
| Fuses for (Block #1) | 60A | 180176 |
| Fuses for (Block #2) | 45A | 180174 |

CONTROL PANEL, ELECTRIC BOOSTER (CONT.)

45KW Booster 480V

| Component | Rating | P/N |
|-----------------------|--------|--------|
| Contactora #1 | 50A | 105514 |
| Contactora #3 | 50A | 105514 |
| Fuse Block #1, 2 | 60A | 180171 |
| Fuses for (Block #1) | 50A | 180175 |
| Fuses for (Block #2) | 35A | 180172 |

45KW Booster 575V

| Component | Rating | P/N |
|----------------------|--------|--------|
| Contactora #1 | 50A | 105514 |
| Contactora #3 | 50A | 105514 |
| Fuse Block #1, 2 | 60A | 180171 |
| Fuses for (Block #1) | 35A | 180172 |
| Fuses for (Block #2) | 35A | 180172 |

54KW Booster 208V

| Component | Rating | P/N |
|-----------------------|--------|--------|
| Contactora #1, 3 | 60A | 103210 |
| Contactora #2, 4 | 50A | 105514 |
| Fuse Block #1, 2 | 100A | 108424 |
| Fuses for (Block #1) | 100A | 180042 |
| Fuses for (Block #2) | 100A | 180042 |

54KW Booster 240V

| Component | Rating | P/N |
|----------------------|--------|--------|
| Contactora #1, 3 | 60A | 103210 |
| Contactora #2, 4 | 50A | 105514 |
| Fuse Block #1, 2 | 100A | 108424 |
| Fuses for (Block #1) | 90A | 108448 |
| Fuses for (Block #2) | 90A | 108448 |

54KW Booster 380V

| Component | Rating | P/N |
|-----------------------|--------|--------|
| Contactora #1 | 60A | 103210 |
| Contactora #3 | 60A | 103210 |
| Fuse Block #1, 2 | 60A | 180171 |
| Fuses for (Block #1) | 60A | 180176 |
| Fuses for (Block #2) | 60A | 180176 |

54KW Booster 415V

| Component | Rating | P/N |
|----------------------|--------|--------|
| Contactora #1 | 60A | 103210 |
| Contactora #3 | 60A | 103210 |
| Fuse Block #1, 2 | 60A | 180171 |
| Fuses for (Block #1) | 60A | 180176 |
| Fuses for (Block #2) | 60A | 180176 |

54KW Booster 480V

| Component | Rating | P/N |
|-----------------------|--------|--------|
| Contactora #1 | 50A | 105514 |
| Contactora #3 | 50A | 105514 |
| Fuse Block #1, 2 | 60A | 180171 |
| Fuses for (Block #1) | 45A | 180174 |
| Fuses for (Block #2) | 45A | 180174 |

54KW Booster 575V

| Component | Rating | P/N |
|----------------------|--------|--------|
| Contactora #1 | 50A | 105514 |
| Contactora #3 | 50A | 105514 |
| Fuse Block #1, 2 | 60A | 180171 |
| Fuses for (Block #1) | 35A | 180172 |
| Fuses for (Block #2) | 35A | 180172 |

72KW Booster 208V

| Component | Rating | P/N |
|-------------------------|--------|--------|
| Contactora #1, 2 | 60A | 103210 |
| Contactora #3, 4 | 60A | 103210 |
| Fuse Block #1, 2, 3, 4 | 100A | 108424 |
| Fuses for (Block #1, 2) | 70A | 180060 |
| Fuses for (Block #2, 4) | 70A | 180060 |

72KW Booster 240V

| Component | Rating | P/N |
|-------------------------|--------|--------|
| Contactora #1, 2 | 60A | 103210 |
| Contactora #3, 4 | 60A | 103210 |
| Fuse Block #1, 2, 3, 4 | 100A | 108424 |
| Fuses for (Block #1, 2) | 70A | 180060 |
| Fuses for (Block #2, 4) | 70A | 180060 |

CONTROL PANEL, ELECTRIC BOOSTER (CONT.)

72KW Booster 380V

| Component | Rating | P/N |
|-------------------------|--------|--------|
| Contactora #1, 2 | 50A | 105514 |
| Contactora #3, 4 | 50A | 105514 |
| Fuse Block #1, 2, 3, 4 | 60A | 180171 |
| Fuses for (Block #1, 2) | 45A | 180176 |
| Fuses for (Block #2, 4) | 45A | 180176 |

72KW Booster 480V

| Component | Rating | P/N |
|----------------------|--------|--------|
| Contactora #1 | 60A | 103210 |
| Contactora #3 | 60A | 103210 |
| Fuse Block #1, 3 | 60A | 180171 |
| Fuses for (Block #1) | 60A | 180176 |
| Fuses for (Block #3) | 60A | 180176 |

81KW Booster 208V

| Component | Rating | P/N |
|-------------------------|--------|--------|
| Contactora #1, 3, 5 | 60A | 103210 |
| Contactora #2, 4, 6 | 50A | 105514 |
| Fuse Block #1, 2, 3 | 100A | 108424 |
| Fuses for (Block #1, 2) | 100A | 180042 |
| Fuses for (Block #3) | 100A | 180042 |

81KW Booster 380V

| Component | Rating | P/N |
|-------------------------|--------|--------|
| Contactora #1, 3 | 60A | 103210 |
| Contactora #5 | 60A | 103210 |
| Fuse Block #1, 2, 3 | 60A | 180171 |
| Fuses for (Block #1, 2) | 60A | 180176 |
| Fuses for (Block #3) | 60A | 180176 |

81KW Booster 480V

| Component | Rating | P/N |
|-------------------------|--------|--------|
| Contactora #1, 3 | 50A | 105514 |
| Contactora #5 | 50A | 105514 |
| Fuse Block #1, 2, 3 | 60A | 180171 |
| Fuses for (Block #1, 2) | 45A | 180174 |
| Fuses for (Block #3) | 45A | 180174 |

72KW Booster 415V

| Component | Rating | P/N |
|-------------------------|--------|--------|
| Contactora #1, 2 | 50A | 105514 |
| Contactora #3, 4 | 50A | 105514 |
| Fuse Block #1, 2, 3, 4 | 60A | 180171 |
| Fuses for (Block #1, 2) | 35A | 180172 |
| Fuses for (Block #2, 4) | 35A | 180172 |

72KW Booster 575V

| Component | Rating | P/N |
|----------------------|--------|--------|
| Contactora #1 | 50A | 105514 |
| Contactora #3 | 50A | 105514 |
| Fuse Block #1, 3 | 60A | 180171 |
| Fuses for (Block #1) | 45A | 180174 |
| Fuses for (Block #3) | 45A | 180174 |

81KW Booster 240V

| Component | Rating | P/N |
|-------------------------|--------|--------|
| Contactora #1, 3, 5 | 60A | 103210 |
| Contactora #2, 4, 6 | 50A | 105514 |
| Fuse Block #1, 2, 3 | 100A | 108424 |
| Fuses for (Block #1, 2) | 90A | 108448 |
| Fuses for (Block #3) | 90A | 108448 |

81KW Booster 415V

| Component | Rating | P/N |
|-------------------------|--------|--------|
| Contactora #1, 3 | 60A | 103210 |
| Contactora #5 | 60A | 103210 |
| Fuse Block #1, 2, 3 | 60A | 180171 |
| Fuses for (Block #1, 2) | 60A | 180176 |
| Fuses for (Block #3) | 60A | 180176 |

81KW Booster 575V

| Component | Rating | P/N |
|-------------------------|--------|--------|
| Contactora #1, 3 | 50A | 105514 |
| Contactora #5 | 50A | 105514 |
| Fuse Block #1, 2, 3 | 60A | 180171 |
| Fuses for (Block #1, 2) | 45A | 180174 |
| Fuses for (Block #3) | 45A | 180174 |