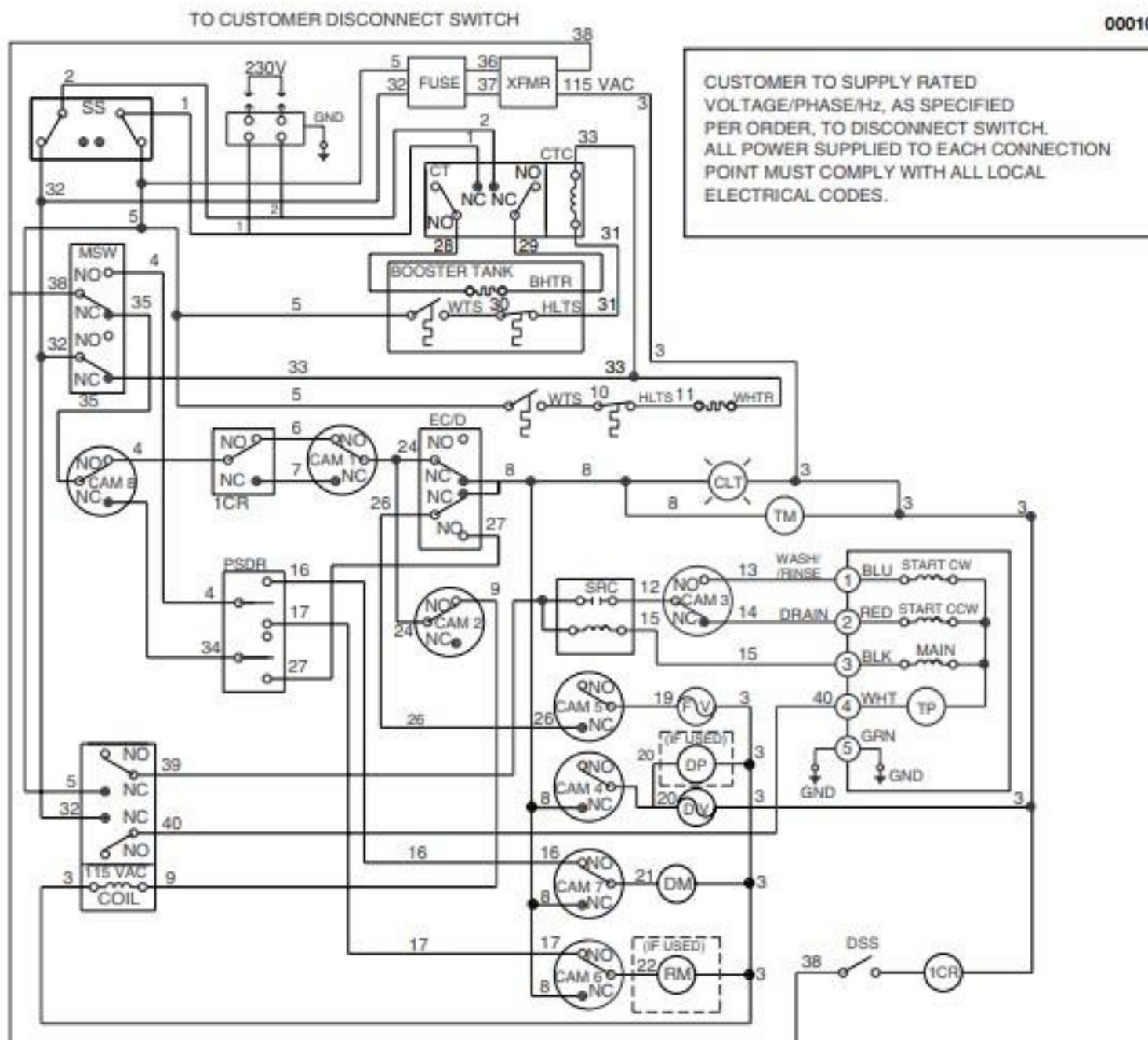
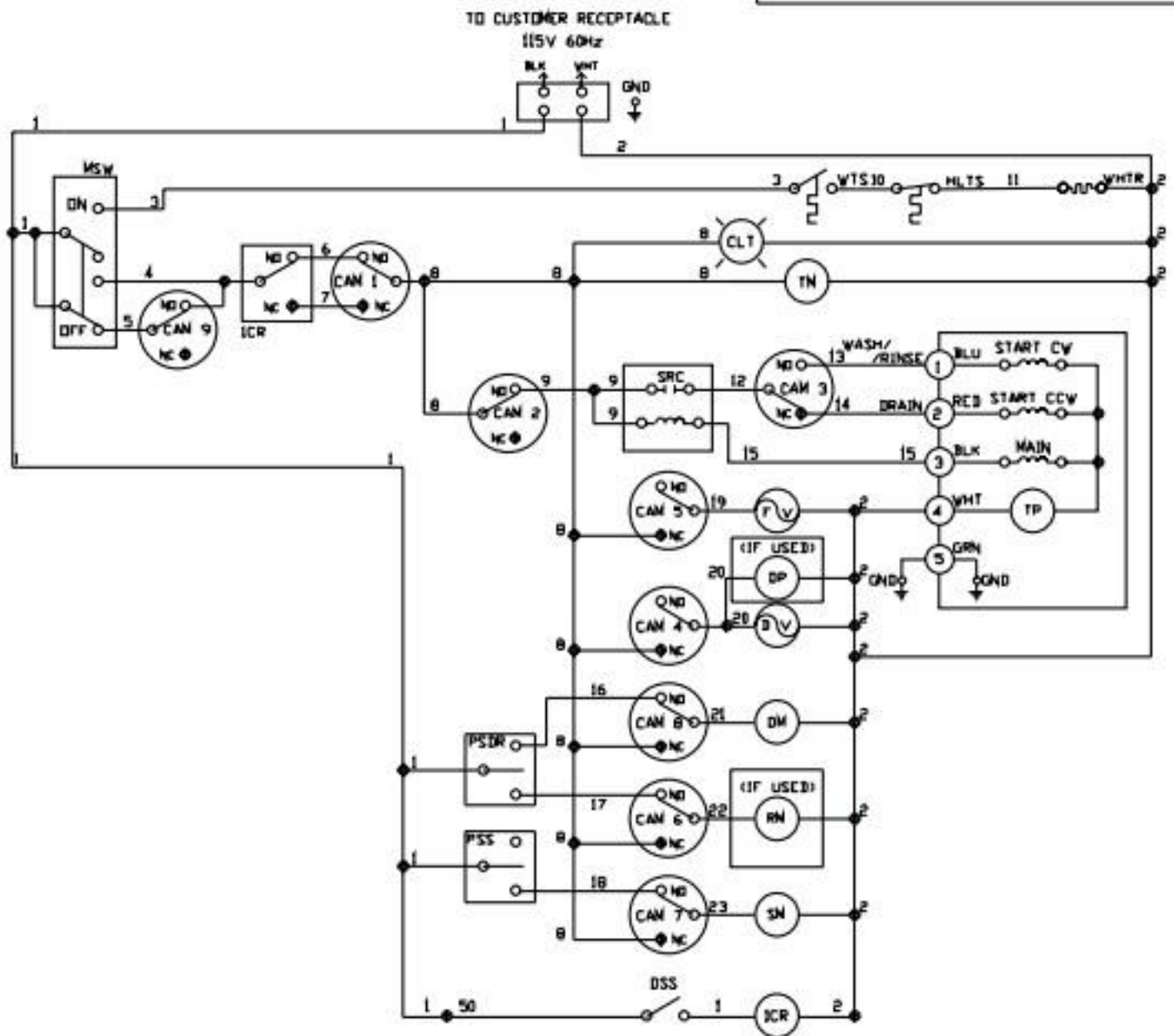


BHTR	BOOSTER HEATER	CLT	CYCLE ON LIGHT	MSW	MAIN SWITCH ON/FILL OFF/DRAIN
BLK	BLACK	CT	CONTACTOR	PSDR	PRIME SWITCH DETERGENT, RINSE
BLU	BLUE	CTC	CONTACTOR COIL	RM	RINSE MOTOR (IF USED)
BTS	BOOSTER THERMOSTAT	DM	DETERGENT MOTOR	SRC	CURRENT OPERATED START RELAY COIL
CAM 1	HOMING	DP	DRAIN PUMP (IF USED)	SS	SERVICE SWITCH
CAM 2	PUMP MOTOR	DS	DOOR SWITCH	TM	TIMER MOTOR
CAM 3	PUMP MOTOR REVERSING	DV	DRAIN VALVE	TP	THERMAL PROTECTOR
CAM 4	DRAIN	EW/D	EXTENDED WASH/DELIME	TTS	TANK HEAT THERMOSTAT
CAM 5	FILL	FV	FILL VALVE	WHT	WHITE
CAM 6	RINSE	GND	GROUND	WHTR	WATER HEATER
CAM 7	DETERGENT	GRN	GREEN		
CAM 8	AUTO-FILL DRAIN	HLTS	HIGH LIMIT THERMOSTAT		



BHTR	BOOSTER HEATER	CT	CONTACTOR	PSDR	PRIME SWITCH DETERGENT, RINSE
BLK	BLACK	CTC	CONTACTOR COIL	1CR	RELAY
BLU	BLUE	DM	DETERGENT MOTOR	RM	RINSE MOTOR (IF USED)
CAM 1	HOMING	DP	DRAIN PUMP (IF USED)	SRC	CURRENT OPERATED START RELAY COIL
CAM 2	PUMP MOTOR	DSS	DOOR SAFETY SWITCH	SS	SERVICE SWITCH
CAM 3	PUMP MOTOR REVERSING	EC/D	EXTENDED CYCLE/DELIME	TM	TIMER MOTOR
CAM 4	DRAIN	FV	FILL VALVE	TP	THERMAL PROTECTOR
CAM 5	RINSE	GND	GROUND	WHT	WHITE
CAM 6	DETERGENT	GRN	GREEN	WHTR	WATER HEATER
CAM 7	DETERGENT	HLTS	HIGH LIMIT THERMOSTAT	WTS	WATER THERMOSTAT
CAM 8	CYCLE	MSW	MAIN SWITCH ON/FILL OFF/DRAIN		
CLT	CYCLE ON LIGHT				

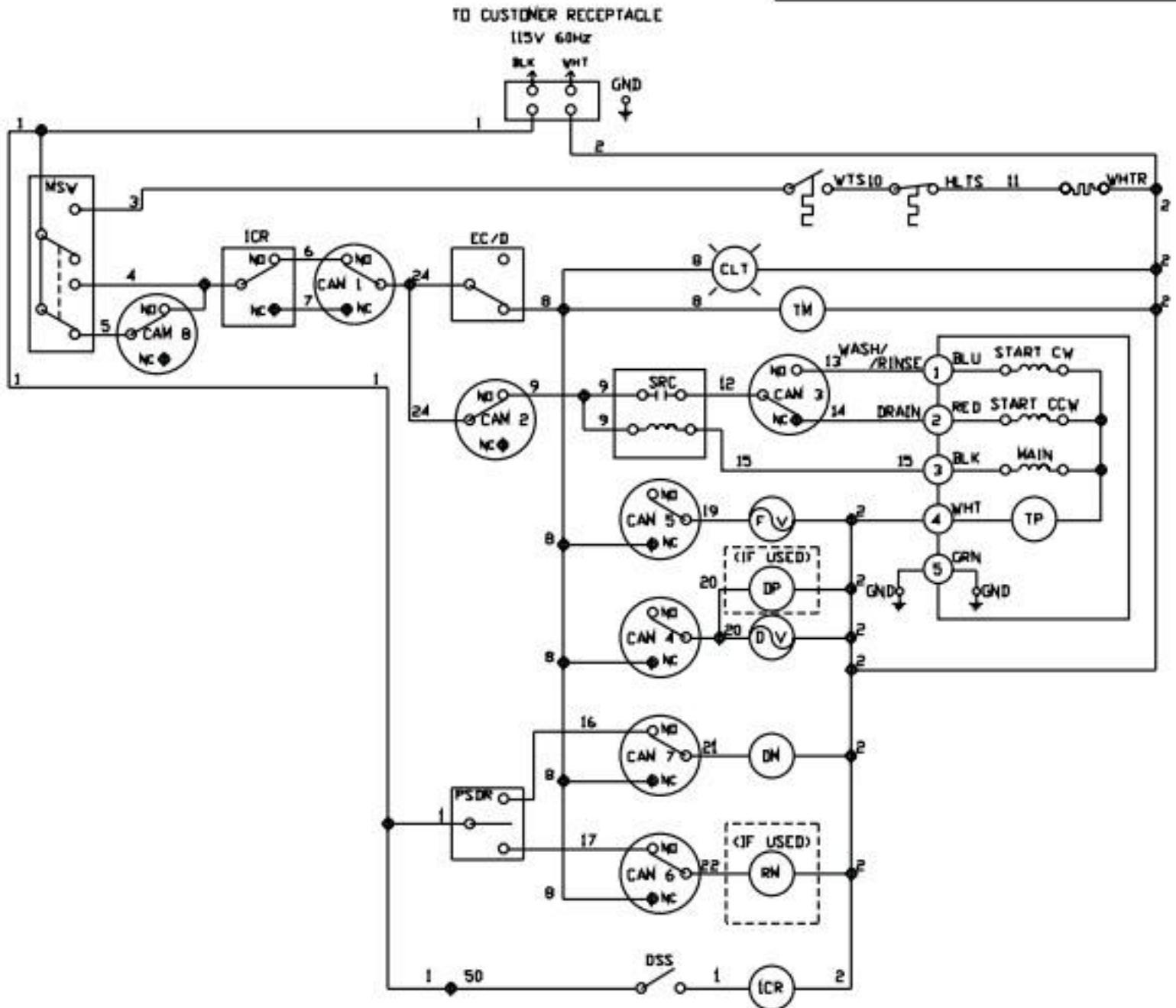
CUSTOMER TO SUPPLY RATED VOLTAGE/PHASE/Hz, AS SPECIFIED PER ORDER, TO DISCONNECT SWITCH. ALL POWER SUPPLIED TO EACH CONNECTION POINT MUST COMPLY WITH ALL LOCAL ELECTRICAL CODES.



BLK	BLACK	CLT	CYCLE ON LIGHT	PSS	PRIME SWITCH SANITIZER
BLU	BLUE	DM	DETERGENT MOTOR	ICR	RELAY
CAM 1	HONING	DP	DRAIN PUMP (IF USED)	DSS	REED SWITCH
CAM 2	PUMP MOTOR	RL	RELAY	RM	RINSE MOTOR (IF USED)
CAM 3	PUMP MOTOR REVERSING	DV	DRAIN VALVE	SRC	CURRENT OPERATED START RELAY COIL
CAM 4	DRAIN	FV	FILL VALVE	SM	SANITIZER MOTOR
CAM 5	FILL	GRD	GROUND	TM	TIMER MOTOR
CAM 6	RINSE	GRN	GREEN	TP	THERMAL PROTECTOR
CAM 7	SANITIZER	HTLS	HIGH LIMIT THERMOSTAT	WHT	WHITE
CAM 8	DETERGENT	MSW	MAIN SWITCH ON/FILL OFF/DRN	WHTR	WATER HEATER
CAM 9	CYCLE	PSDR	PRIME SWITCH DETERGENT, RINSE	WTS	WATER THERMOSTAT
		HEAT	MODEL	DATE	NUMBER/REV
		ELEC		11/10/97	0508586 E

Figure 15 - Electrical Diagram, UTL
(For machines beginning with S/N 6984)

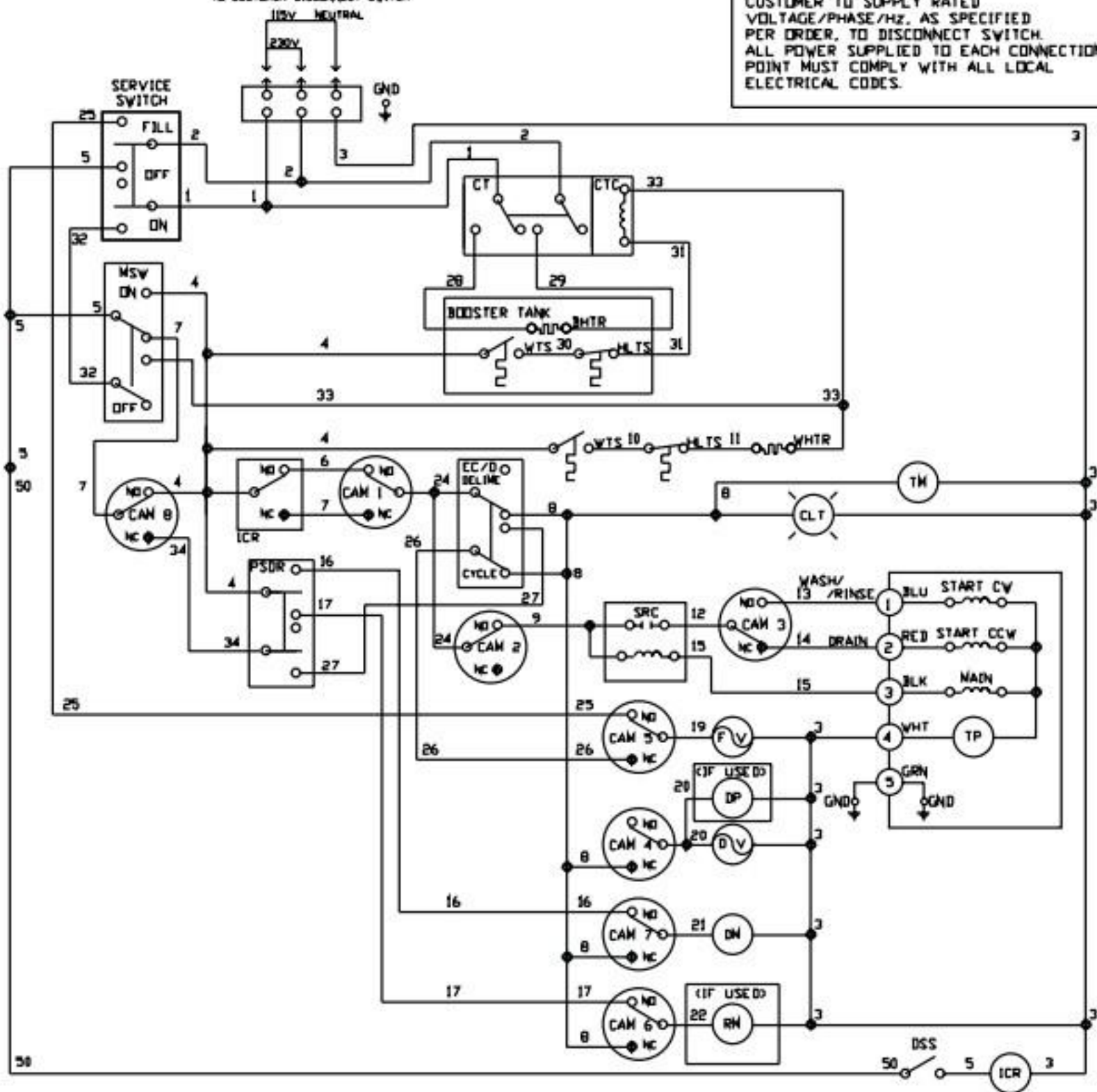
CUSTOMER TO SUPPLY RATED VOLTAGE/PHASE/HZ. AS SPECIFIED PER ORDER, TO DISCONNECT SWITCH ALL POWER SUPPLIED TO EACH CONNECTION POINT MUST COMPLY WITH ALL LOCAL ELECTRICAL CODES.



BLK	BLACK	DH	DETERGENT MOTOR	ICR	RELAY
BLU	BLUE	DP	DRAIN PUMP (IF USED)	BSS	REEB SWITCH
CAN 1	HOMING	DV	DRAIN VALVE	SRC	CURRENT OPERATED START RELAY COIL
CAN 2	PUMP MOTOR	EC/D	EXTENDED CYCLE/DELINT	TM	TIMER MOTOR
CAN 3	PUMP MOTOR REVERSING	FV	FILL VALVE	TP	THERMAL PROTECTOR
CAN 4	DRAIN	GND	GROUND	WHT	WHITE
CAN 5	FILL	GRN	GREEN	WHTR	WATER HEATER
CAN 6	RINSE	HTLS	HIGH LIMIT THERMOSTAT	WTS	WATER THERMOSTAT
CAN 7	DETERGENT	NSV	MAIN SWITCH ON/FILL OFF/DRAIN		
CAN 8	CYCLE	PSDR	PRIME SWITCH DETERGENT, RINSE		
CLT	CYCLE ON LIGHT	RN	RINSE MOTOR (IF USED)		
		HEAT	MODEL	DATE	NUMBER/REV
		ELEC		05-23-96	0508729 D

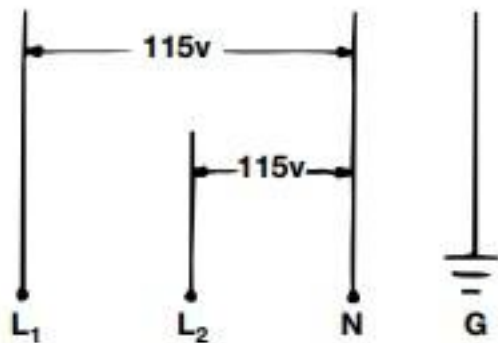
TO CUSTOMER DISCONNECT SWITCH

CUSTOMER TO SUPPLY RATED VOLTAGE/PHASE/HZ, AS SPECIFIED PER ORDER, TO DISCONNECT SWITCH. ALL POWER SUPPLIED TO EACH CONNECTION POINT MUST COMPLY WITH ALL LOCAL ELECTRICAL CODES.



BHTR	BOOSTER HEATER	CT	CONTACTOR	PSDR	PRIME SWITCH DETERGENT, RINSE
BLK	BLACK	CTC	CONTACTOR COIL	ICR	RELAY
BLU	BLUE	DM	DETERGENT MOTOR	DSS	DOOR SAFETY SWITCH
CAN 1	HONING	DP	DRAIN PUMP (IF USED)	RN	RINSE MOTOR (IF USED)
CAN 2	PUMP MOTOR	DS	DOOR SWITCH	SRC	CURRENT OPERATED START RELAY COIL
CAN 3	PUMP MOTOR REVERSING	DV	DRAIN VALVE	SS	SERVICE SWITCH
CAN 4	DRAIN	EC/D	EXTENDED CYCLE/DELIME	TN	TIMER MOTOR
CAN 5	FILL	FV	FILL VALVE	TP	THERMAL PROTECTOR
CAN 6	RINSE	GND	GROUND	WHT	WHITE
CAN 7	DETERGENT	GRN	GREEN	WHTR	WATER HEATER
CAN 8	CYCLE	HTLS	HIGH LIMIT THERMOSTAT	WTS	WATER THERMOSTAT
CLT	CYCLE ON LIGHT	NSW	MAIN SWITCH DN/FILL OFF/DRAIN		

HEAT	MODEL	DATE	NUMBER/REV
ELEC		11-10-97	0508571 F



—3-Wire Plus Ground Diagram