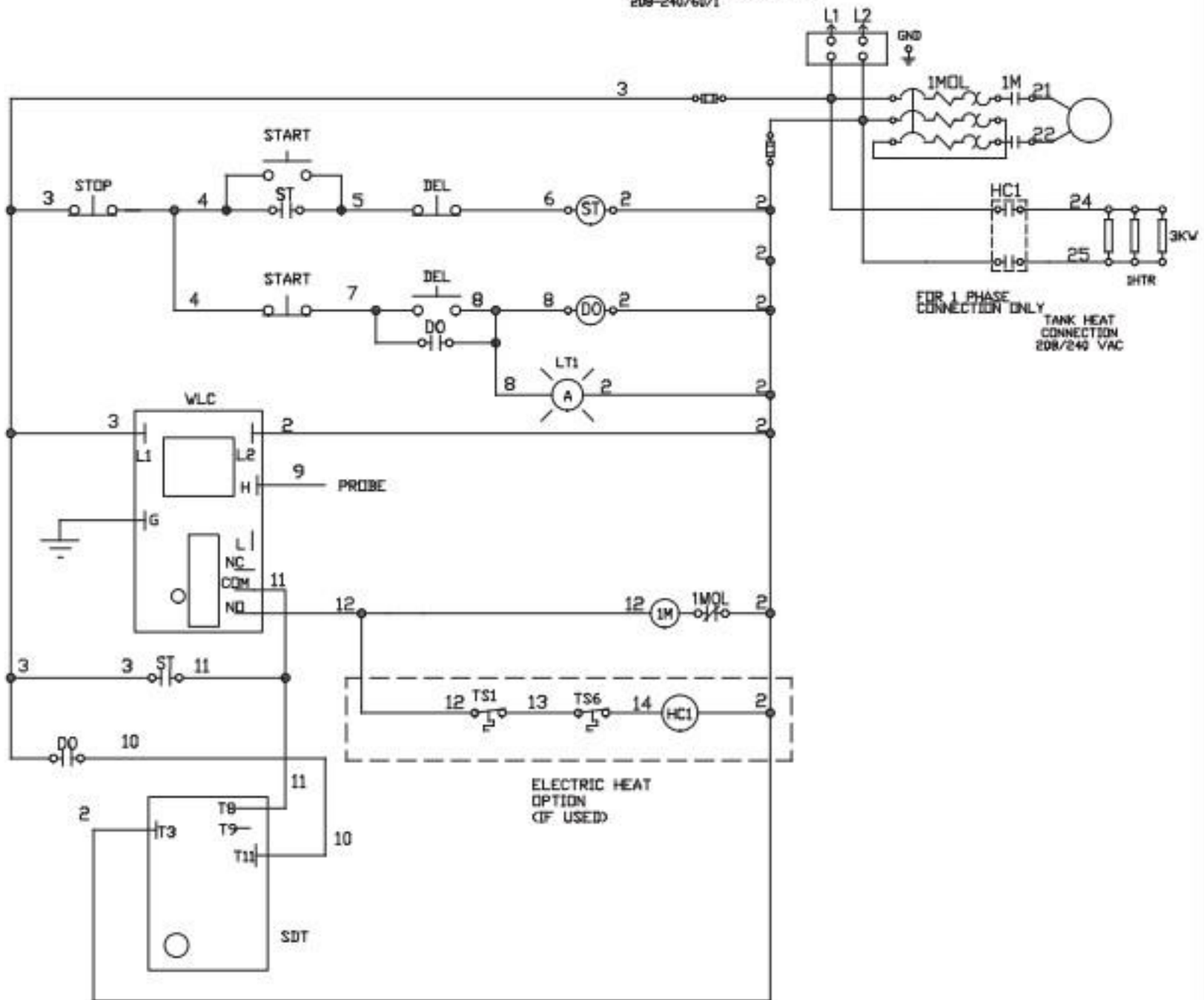


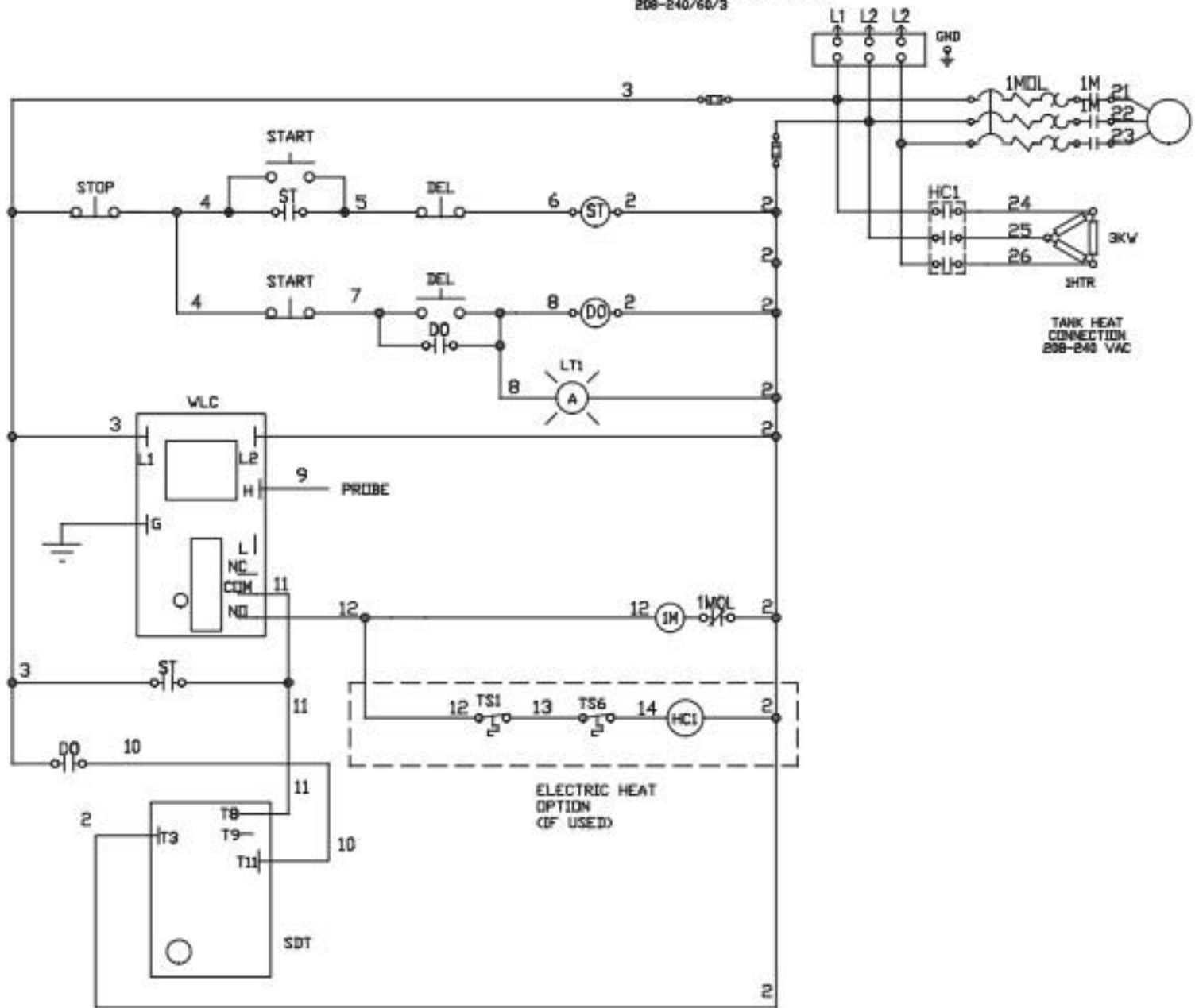
TO CUSTOMERS DISCONNECT SWITCH
PER LOCAL ELECTRICAL CODE
208-240/60/1



WLC	LOW WATER LEVEL CONTROL
FU	FUSE
GND	GROUND
HC1	WASH TANK CONTACTOR
1HTR	WASH TANK HEATER
LT1	DELAY OFF LIGHT
1M	PUMP MOTOR CONTACTOR
1MOL	PUMP MOTOR OVERLOAD
1MTR	PUMP MOTOR
START	PUSHBUTTON START SWITCH
DEL	PUSHBUTTON DELAY OFF
DO	DELAY OFF RELAY
T1	CONTROL TRANSFORMER
HTS	HEATER SAFETY THERMOSTAT
DT	DELAY OFF TIMER
ST	START RELAY

MODEL	DATE	NUMBER/REV
PP-3 1 PHASE	12FEB13	702765-1

TO CUSTOMERS DISCONNECT SWITCH
PER LOCAL ELECTRICAL CODE
E08-240/60/3



WLC	LOW WATER LEVEL CONTROL
FU	FUSE
GND	GROUND
HC1	WASH TANK CONTACTOR
IHTR	WASH TANK HEATER
LT1	DELAY OFF LIGHT
1M	PUMP MOTOR CONTACTOR
1MO	PUMP MOTOR OVERLOAD
1MTR	PUMP MOTOR
START	PUSHBUTTON START SWITCH
DEL	PUSHBUTTON DELAY OFF
DO	DELAY OFF RELAY
T1	CONTROL TRANSFORMER
HT	HEATER THERMISTAT
HST	HEATER SAFETY THERMISTAT
DT	DELAY OFF TIMER
ST	START RELAY

MODEL	DATE	NUMBER/REV
PP-3 3 PHASE	15APR13	702765-2

