

***Service  
Parts***

**400M3  
SPRAYWAY®  
600M3**

***Simply  
Engineered  
Better***

**0503356**

# SW400M3 & SW600M3

## CONTENTS

### SERVICE

	<u>PAGES:</u>
INSTALLATION	4
OPERATION	7
CLEANING	10
TROUBLE GUIDE	12
ELECTRICAL DIAGRAM	16
PLUMBING DIAGRAM	17

### PARTS

	<u>PAGES:</u>	<u>PLATES:</u>
CABINET & TANK ASSEMBLY - SW400M3	22	677
CABINET & TANK ASSEMBLY - SW600M3	24	742
LIFT BRACKET & DRIVE ASSEMBLY	26	679
CONTROL MECHANISM	28	680
ELECTRICAL BOX	30	955
DETERGENT TANK	32	682
FLOAT BOX ASSEMBLY	34	683A
PUMP COMPLETE	36	684
DETERGENT TIMER & OSCILLATING PUMP	38	894
FLOW METER ASSEMBLY	40	893A
INLET PLUMBING	42	686
SANITIZER PLUMBING	44	687A
VACUUM BREAKER	46	688
RINSE INJECTOR BOX	48	953
PUMP RINSE INJECTOR	50	954
ACCESSORIES	52	689

EFFECTIVE AT SERIAL NUMBER

**MOYER DIEBEL**

P.O. BOX 4183  
WINSTON-SALEM, N.C.  
27115

1-800-228-8350 1-919-723-2289



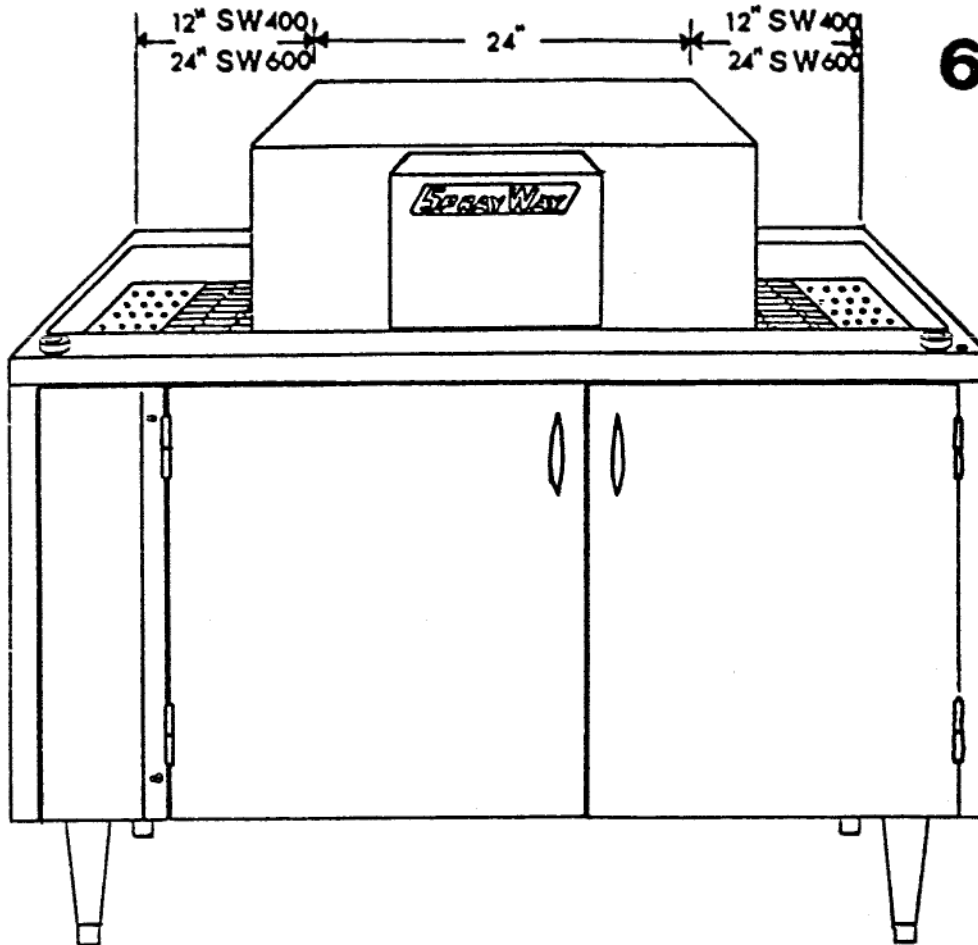
**MOYER DIEBEL**

P.O. BOX 301, O.E.W.  
JORDAN STATION, ONT.  
L0R 1S0

416-562-4195 FAX 416-562-4618

# SERVICE SW

## SPRAYWAY MODELS - 400M3 & 600M3



SW400M3 - SPRAYWAY OVERALL LENGTH OF MACHINE 4 FEET  
SW600M3 - SPRAYWAY OVERALL LENGTH OF MACHINE 6 FEET

L OR R - WHILE STANDING ON THE OPERATOR'S SIDE OF A LEFT HAND SPRAYWAY, THE CONVEYOR MOVES FROM LEFT TO RIGHT

- WHILE A RIGHT HAND SPRAYWAY CONVEYOR MOVES FROM RIGHT TO LEFT

CONGRATULATIONS. YOU HAVE JUST PURCHASED A HIGH QUALITY APPLIANCE THAT WILL GIVE YOU MANY YEARS OF DEPENDABLE SERVICE. WITH PROPER MAINTENANCE YOUR SPRAYWAY FULLY AUTOMATIC GLASS WASHER WILL OPERATE TROUBLE FREE.

THE SIMPLE INSTRUCTIONS AND ILLUSTRATIONS CONTAINED IN THIS HANDBOOK ANSWER ALL QUESTIONS RELATIVE TO INSTALLATION, MAINTENANCE AND OPERATION. FOLLOW THEM CAREFULLY.

LISTED BY



LISTED BY



LISTED BY



Mfg. by MOYER DIEBEL LTD., JORDAN STATION, ONTARIO, CANADA

MARKETED IN U.S.

Page 3

# INSTALLATION

# SW 400M3 600M3

## PLUMBING

Have all plumbing roughed in and checked out according to Fig. 1. Vacuum breaker is factory installed.

Minimum line pressure - Cold & Hot Water - 25 PSI  
Maximum line pressure - Cold & Hot Water - 95 PSI

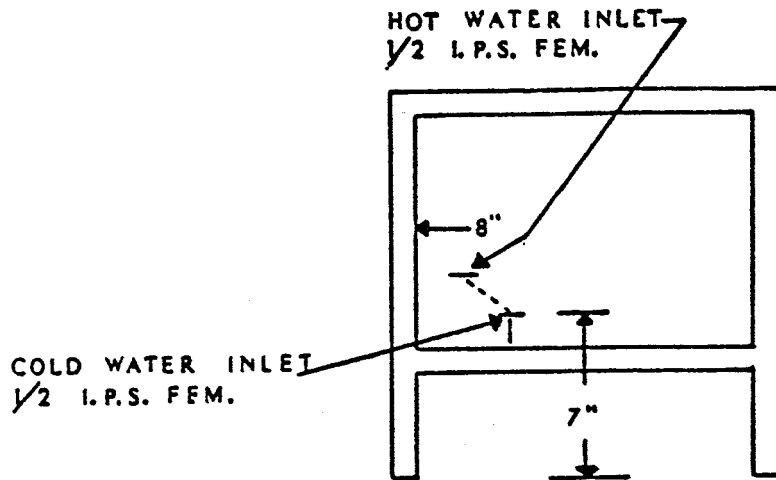


fig.1 SIDE VIEW

## ELECTRICAL

Provide a nonlocking 250 volt, 15 ampere 2 pole 3 wire grounding receptacle within FOUR FEET of the base of the glasswasher. to be installed by a qualified electrician to meet the specifications of the local electrical code.

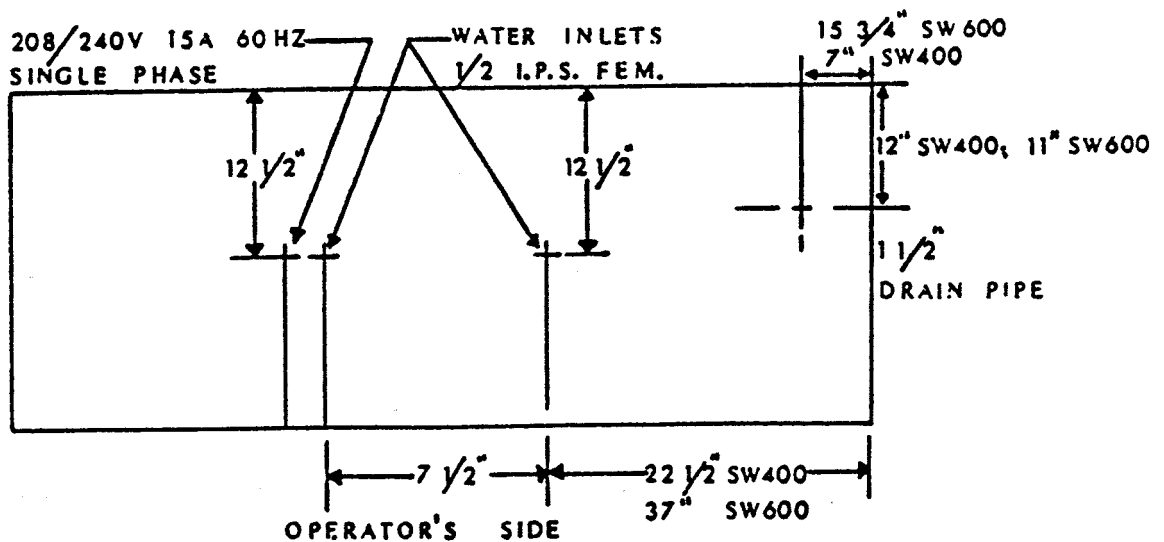


fig. 2

# INSTALLATION

# SW 400M3 600M3

**WASHER:** Set in desired location and level.  
Ensure all bullet feet are in contact with the floor.

## WATER

Install shut-off valves between supplies and machine.  
Install check valves on hot and cold water inlets, as close as possible to the solenoid valves.

- 1/4" IPS for ambient temperature water.
- 1/4" IPS for hot water. Water temperature should be 145° F. at filler spout. Have globe valve in the closed position for cold water rinsing.

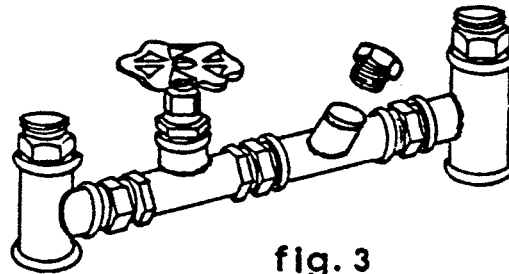
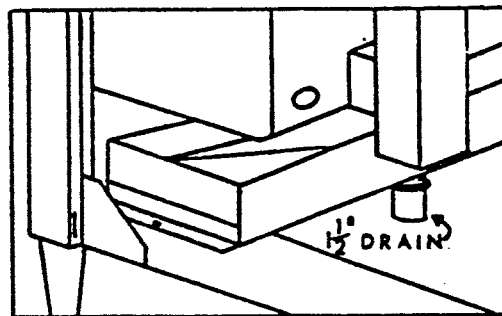


fig. 3

**WARNING:** Detergent tank float is packed in the down position for shipping. The packing must be removed before operation.

## DRAIN

Connect roughed-in drain to 1 1/2" O.D. tailpiece on glass washer.



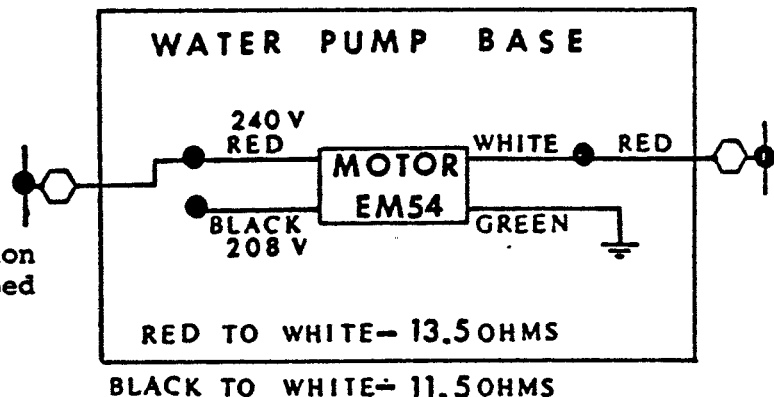
VIEWED FROM BACK OF MACHINE

## ELECTRICAL

The glasswasher has a six foot power cord with a "U" ground tandem plug for connection to the power receptacle previously described under "PREPARATION ELECTRICAL".

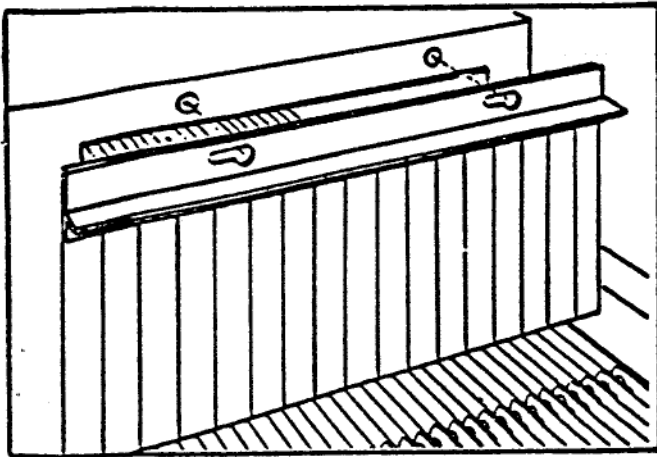
**INSTRUCTION FOR 208 VOLT OPERATION:**

1. If voltage at the receptacle is 208 volts, a wiring change should be made in the base of the water pump.
2. The four wire cable from the water pump motor into the base has a red wire and a loose black wire. Change the red with the black at the connector. The red wire will now be taped and loose, and the black will be connected to a black for the operation on 208 volts.
3. All other electrical components operate satisfactorily on 208 volts without modification.

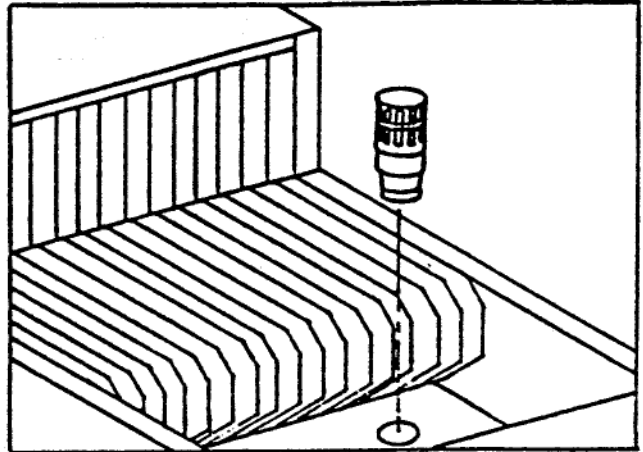


# INSTALLATION

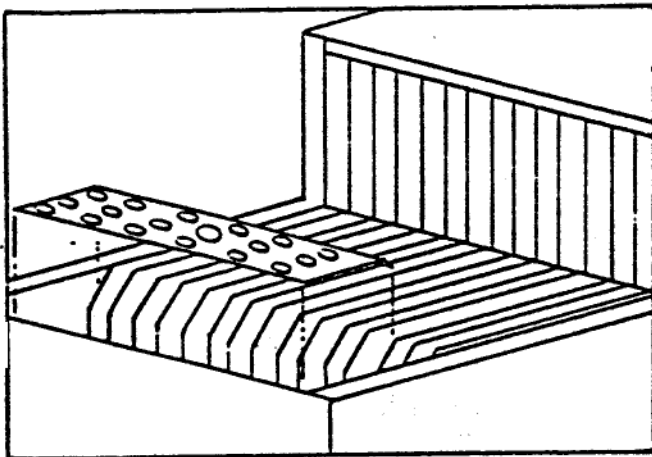
SW 400M3  
600M3



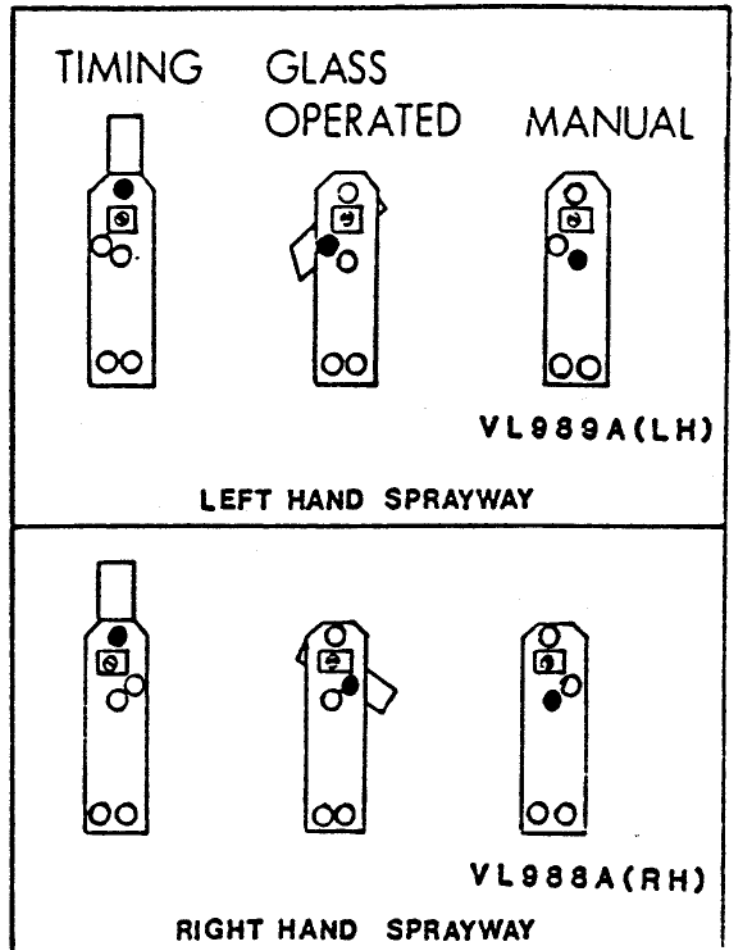
SPRAY DEFLECTOR EACH END OF TUNNEL.



INSERT SLOTTED STAND PIPE FOR DAILY OPERATION.



PICK UP PLATES EACH END



CONVEYOR SELECTOR SETTING.

SET TO DESIRED POSITION.

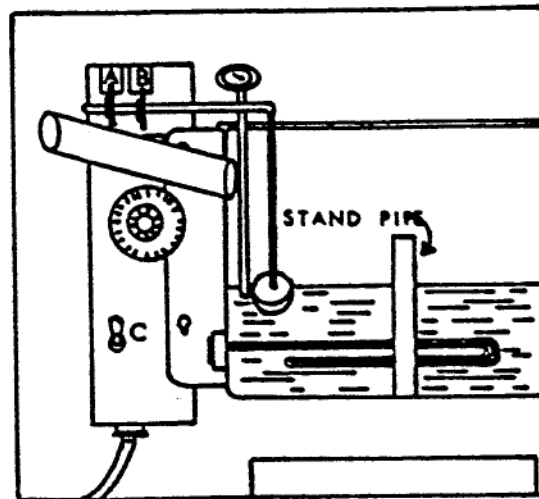


fig. 4

1. The detergent tank is equipped with a float control that operates two cam operated switches. (see Fig. 4)
2. The water temperature is controlled between 130° F. and 160° F. with a heater and a thermostat.

CAM "A" - HEATER CAM

CAM "B" - WATER LEVEL CONTROL CAM

#### To Fill Detergent Tank:

Ensure stand pipe is in place. Fig 4. Put switch "C" to AUTO POSITION. Water will flow until proper level is reached. It will shut off automatically.

DETERGENT is fed from the supply container into the detergent tank, by means of an oscillating pump. Use at a strength of .35% or as recommended by your chemical supplier to accomplish the necessary cleaning job.

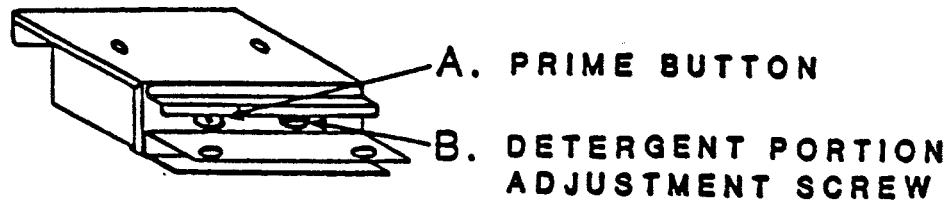
NOTE: Use heavy duty non-chlorinated liquid detergent manufactured specifically for glassware washing machinery.

NOTE: MANY OF THE DETERGENTS USED IN GLASS AND DISHWASHERS ARE HARMFUL TO THE SKIN IN THEIR CONCENTRATED FORM. TO PREVENT ACCIDENTAL EXPOSURE TO THIS DANGER, BE SURE THAT ALL HOSES ARE SECURE AND CLAMPED AFTER SERVICE TO MACHINES.

Your chemical representative will test solution to ensure proper strength as recommended.

# OPERATION

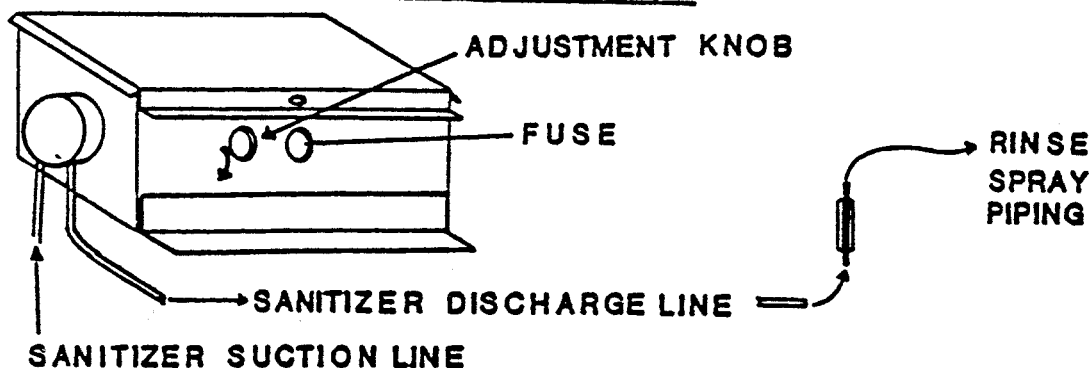
## DETERGENT TIMER & OSCILLATING PUMP



### TO ADJUST DETERGENT FEEDER:

1. WHEN A NEW DETERGENT CONTAINER IS INSTALLED, PUSH PRIME BUTTON IN AND HOLD UNTIL DETERGENT FEED TUBES ARE FULL.
2. INSTALL DETERGENT TANK STANDPIPE AND SWITCH TANK FILL TOGGLE SWITCH TO "AUTO" POSITION. THE DETERGENT FEEDER WILL NOW FEED DETERGENT INTO THE DETERGENT TANK IN PULSES EVERY 3.75 SECONDS OF FILL TIME.
3. TO INCREASE DETERGENT VOLUME, TURN THE DETERGENT PORTION ADJUSTMENT SCREW (B) COUNTER CLOCKWISE.
4. TO DECREASE DETERGENT VOLUME, TIGHTEN THE DETERGENT PORTION ADJUSTMENT SCREW (B) IN A CLOCKWISE DIRECTION.

## RINSE INJECTOR



### TO SET RINSE INJECTOR:

THE SANITIZER IS AUTOMATICALLY FED INTO THE LINE THROUGH THE PUMP RINSE INJECTOR. INJECTION IS INTO THE FINAL RINSE SPRAYS.

1. START THE WASHER - TAKE SAMPLE FROM FINAL RINSE SPRAY TUBES.
2. TO INCREASE VOLUME OF SANITIZER - TURN ADJUSTMENT KNOB CLOCKWISE.
3. TO DECREASE VOLUME OF SANITIZER - TURN ADJUSTMENT KNOB COUNTERCLOCKWISE.

NOTE: ABOVE ONLY ALLOWS FOR TESTING THE SANITIZER BEING FED. ACTUAL SANITIZING RINSE SOLUTION SHOULD BE TESTED BY YOUR CHEMICAL SUPPLIER REPRESENTATIVE.

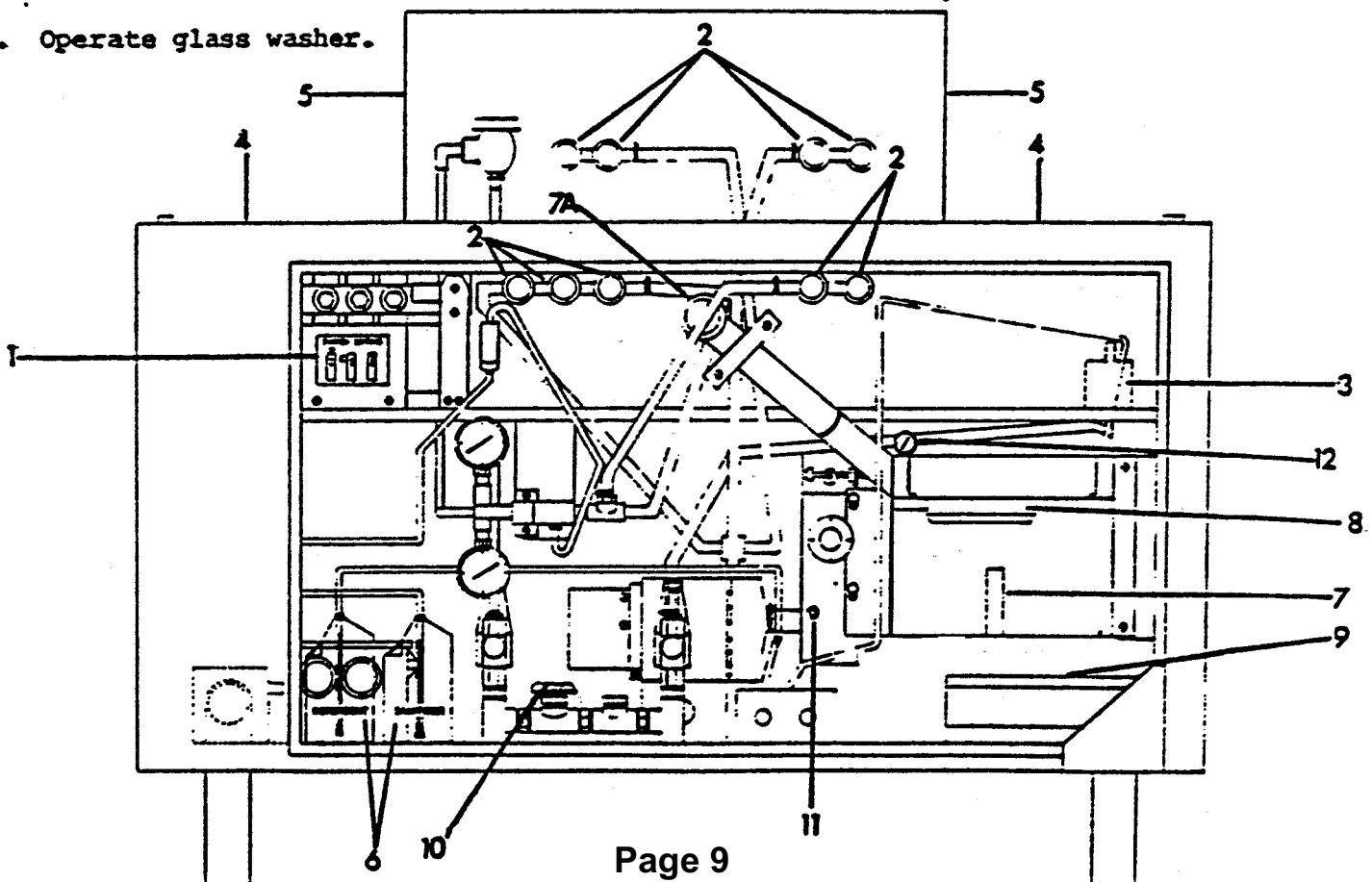
NOTE: TO MEET THE REQUIREMENTS OF N.S.F. STANDARDS, IODOPHOR IN A CONCENTRATION OF 12.5 P.P.M. MUST BE USED IN FINAL RINSE.

# OPERATION

SW 400M3  
600M3

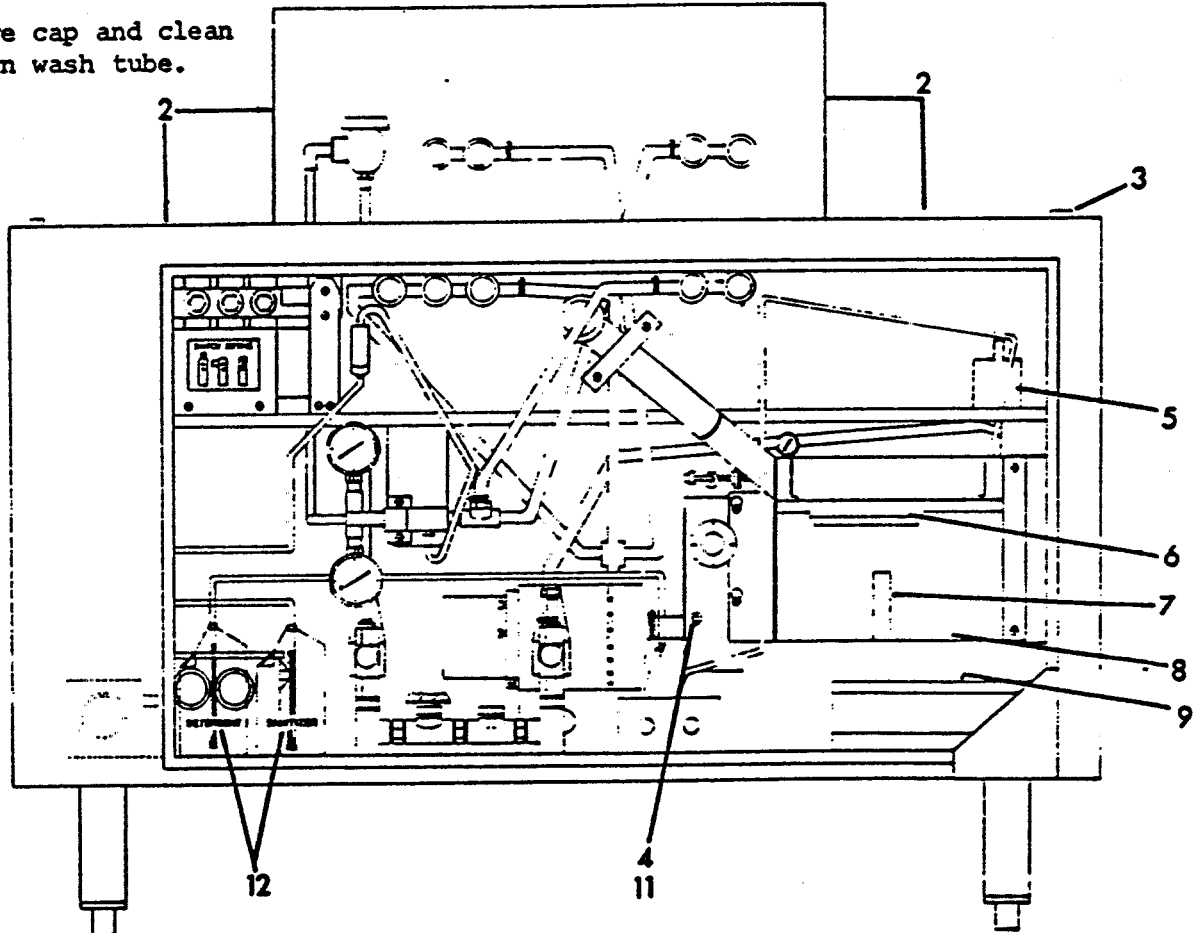
## DAILY CHECKOUT ENSURE:

1. Conveyor selection setting is at desired position.
2. All spray tube plugs are secure.
3. Stand pipe is in place in main tank.
4. Pick up plates are in place.
5. Splash curtains are in place.
6. Detergent and sanitizer containers have product.
7. Stand pipe in detergent tank is in place.
- 7A. Wash tube return pipe cap secure.
8. Return screen for detergent tank is clean and in place.
9. Return screen for drain pan is clean and in place.
10. Stop valve is closed. (For cold final rinse).
11. Place filler switch to auto position.
12. Wait for detergent tank water to reach desired temperature.
13. Operate glass washer.



## DAILY CLEANING INSTRUCTIONS

1. Run glassware through machine - then clear conveyor of glassware.
  2. Remove the pick up plates and curtains and clean.
  3. Turn off machine.
  4. Turn off "AUTO" filler switch.
  5. Remove stand pipe in main tank.
  6. Remove detergent tank return screen and clean.
  7. Remove stand pipe in detergent tank and allow tank to drain.
  8. Wipe out interior of detergent tank with clean cloth.
- NOTE: When machine is not used for extended periods such as overnight - drain the detergent tank, flush with fresh water & allow to air dry. Do not refill tank till required for operation.
9. Remove return screen in drain pan and clean.
  10. Replace items 9,7,6,5,2.
  11. Turn filler switch to "AUTO" position.
  12. Ensure there is product in detergent and sanitizer containers and proper feed lines are in their respective containers.
  13. Check detergent & sanitizer feed lines. Ensure they are in place & securely clamped.
  14. Remove cap and clean return wash tube.



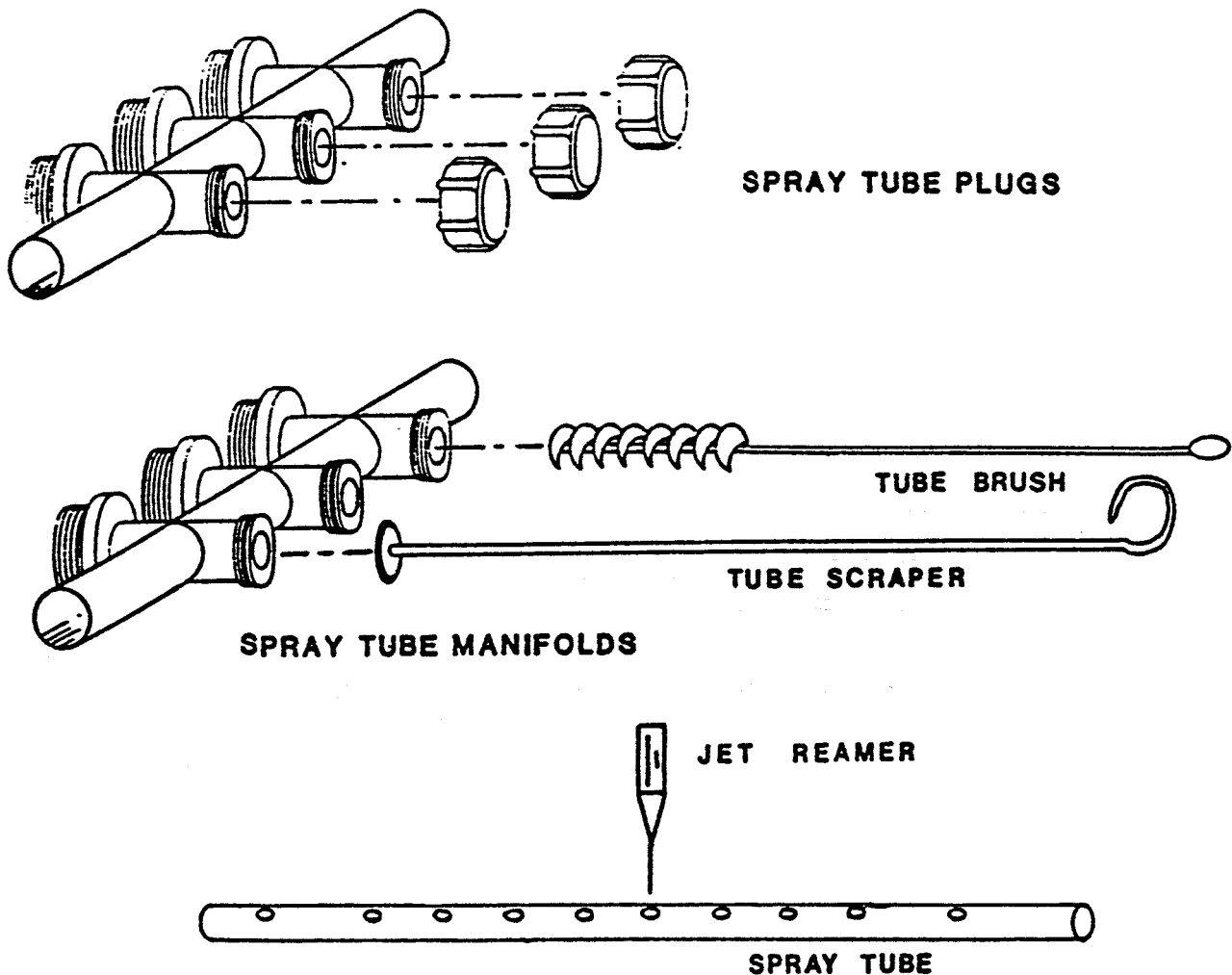
# CLEANING

SW 400M3  
600M3

## WEEKLY CLEANING INSTRUCTIONS

### In Addition To Daily Cleaning Instructions

1. Remove spray tube plugs and clean spray tubes with reamer, brush and tube scraper. Replace spray tube plugs.
2. Remove detergent and sanitizer feed lines from their respective containers. Place feed lines in a container of hot water. Operate washer until flushed out. Replace feed lines in their respective containers.



# TROUBLE GUIDE

SW 400M3  
600M3

## 1. CONVEYOR DOES NOT TURN

CAUSE	SOLUTION
1. No power.	1. Check fuse panel.
2. Drive motor cord not plugged into receptacle.	2. Plug into receptacle labelled drive.
3. Drive motor burnt out.	3. Replace drive motor.
4. Drive sprocket is slipping.	4. Tighten set screw.
5. Drive chain too slack.	5. Adjust drive chain tension.
6. Drive chain seized or broken.	6. Lubricate drive chain or replace.
7. Obstruction in wash or rinse area.	7. Remove obstruction.
8. Micro switch in conveyor selector switch box faulty or not making contact.	8. Adjust to make contact or replace if faulty.
9. Conveyor mounting bracket not in position.	9. Position properly.
10. Conveyor tension too loose.	10. Adjust tension.

## 2. OVERSPRAY FROM HOOD SECTION

CAUSE	SOLUTION
1. Splash curtain not in position.	1. Install splash curtains.
2. Washer running without any glasses on conveyor.	2. Keep conveyor loaded with glasses.
3. Spray tubes at wrong angle.	3. Check spray tube ends are in slots provided to ensure proper spray angle.
4. Spray tubes plugged.	4. Clean thoroughly with reamer, brush and drill. Clear line of cause.

## 3. HOT WATER BELOW REQUIRED TEMP. IN DET. TANK

CAUSE	SOLUTION
1. Thermostat set too low.	1. Increase temperature by turning thermostat knob clockwise.
2. Heater not on.	2. (a) Check for power to machine. (b) Check for power to receptacle labelled heater. (c) Check that heater cord is plugged into receptacle labelled heater. (d) Check that Cam is operating ES-51 heater switch.

# TROUBLE GUIDE

SW400M3  
600M3

- |                             |  |
|-----------------------------|--|
| 3. Heater burnt out.        | (e) Check for power from heater switch to thermostat. Replace if necessary.  |
| 4. Thermostat defective.    | 3. Replace heater. Check cam setting on float rod to ensure low water level cut-off. Cam operates micro switch.          |
| 5. Incoming water too cold. | 4. Replace.  |
|                             | 5. Incoming water should be at 145°F, otherwise allow detergent tank heater time to bring water temperature up to 145°F. |

## 4. LACK OF SPRAY PRESSURE IN RINSE SPRAY TUBES

CAUSE	SOLUTION
1. Shut-off valve on supply line closed.	1. Open valve.
2. Low water pressure.	2. Have pressure test taken on main cold line to machine. Pressure must be at least 25 P.S.I.
3. Rinse solenoid will not operate.	3. (a) Replace coil if necessary. (b) Check power to machine.
4. Rinse solenoid strainer plugged.	4. Clean or replace.
5. Spray tubes plugged or supply line plugged.	5. Clean thoroughly with reamer, brush and drill provided. Clear line of cause.

## 5. CONTINUAL FLOW OF COLD WATER THROUGH SPRAY TUBES WITH MACHINE OFF

CAUSE	SOLUTION
1. Solenoid valve in cold line not seating.	1. (a) Turn off water supply. (b) Take apart and clean thoroughly. (c) If above does not cure, replace plunger and seat.

## 6. LACK OF PRESSURE AT WASH SPRAY TUBES

CAUSE	SOLUTION
1. No water in detergent tank.	1. (a) Make sure stand pipe is in place in tank. (b) Check that fill switch is in AUTO position and that tank fills. (c) Make sure that fill switch is operated

# TROUBLE GUIDE

SW 400M3  
600M3

2. Pump not operating.
  - by float cam. Replace switch if necessary.
  - (d) Check that fill solenoid is operating. Replace if necessary.
3. Pump not operating properly.
  - 2.(a) Check power supply to machine.
  - (b) Check that pump cord is plugged into receptacle labelled pump.
  - (c) Replace pump if defective.
4. Wash spray tubes dirty.
  - 3.(a) Replace pump impeller if defective.
  - (b) Check for voltage drop.
5. Supply line plugged.
  4. Clean thoroughly with reamer, brush and pin drill provided.
  5. Clear line of cause.

## 7. WATER ON FLOOR

### CAUSE

### SOLUTION

- |   |                       |
|---|-----------------------|
| 1. Pump seal leaking.                         | 1. Replace seal.      |
| 2. Rinse drain in wash tank plugged.          | 2. Clear obstruction. |
| 3. Wash drain in wash tank plugged.           | 3. Clear obstruction. |
| 4. Return screen in detergent tank plugged.   | 4. Clean screen.      |
| 5. Drain screen under detergent tank plugged. | 5. Clean screen.      |
| 6. Main drain plugged.                        | 6. Clean drain.       |

## 8. DETERGENT NOT FEEDING

### CAUSE

### SOLUTION

- |  |   |
|--|---|
| 1. No detergent in container.  | 1. Refill container.  |
| 2. Detergent crystallized or turned to gel form. This plugs the line and detergent feeder. | 2. Clean out feed line and feeder. Use a fresh supply of detergent. |
| 3. Foot valve at bottom of feed line in jug plugged.                                       | 3. Remove feed line. Clean foot valve.                              |
| 4. Oscillating pump plugged or defective.  | 4. Clean out pump or replace if defective.                          |

# TROUBLE GUIDE

- |   |   |
|---|---|
| 5. No detergent being fed.                        | 5. Adjustment screw turned in too far - loosen until pulse feed achieved. |
| 6. Detergent feeds constantly while fill is "ON". | 6. Adjustment screw must be tightened in until pulse feed achieved.       |
| 7. Adjustment screw does not affect feed rate.    | 7. Detergent feeder control defective - repair.                           |

## 9. SANITIZER NOT FEEDING

CAUSE	SOLUTION
1. No sanitizer in container.	1. Refill container.
2. Sanitizer crystallized or turned to gel.	2. Clean feed lines and replace sanitizer replace sanitizer with fresh supply.
3. Foot valve at end of feed line in container is plugged.	3. Remove feed line from container and clean foot valve.
4. Sanitizer feeder pump rollers not turning.	4. Check that power plug to feeder is plugged in. Turn feeder adjustment knob fully clockwise. If still not turning - repair. Tighten roller locking set screw, if found loose.

## 10. CONTINUAL FLOW OF HOT WATER TO DETERGENT TANK

CAUSE	SOLUTION
1. Solenoid valve in hot line not seating.	1. (a) Turn off hot water supply. (b) Take apart and clean thoroughly. (c) If above does not cure, replace plunger and seat.

# ELECTRICAL DIAGRAM

SW 400M3  
SW 600M3

## ELECTRICAL DIAGRAM

THE CIRCUIT IS SHOWN WITH DETERGENT TANK FILLED AND UP TO TEMPERATURE.

RINSE VALVE SOLENOID ENERGISED DRIVE AND PUMP MOTORS OPERATING

SWITCHES



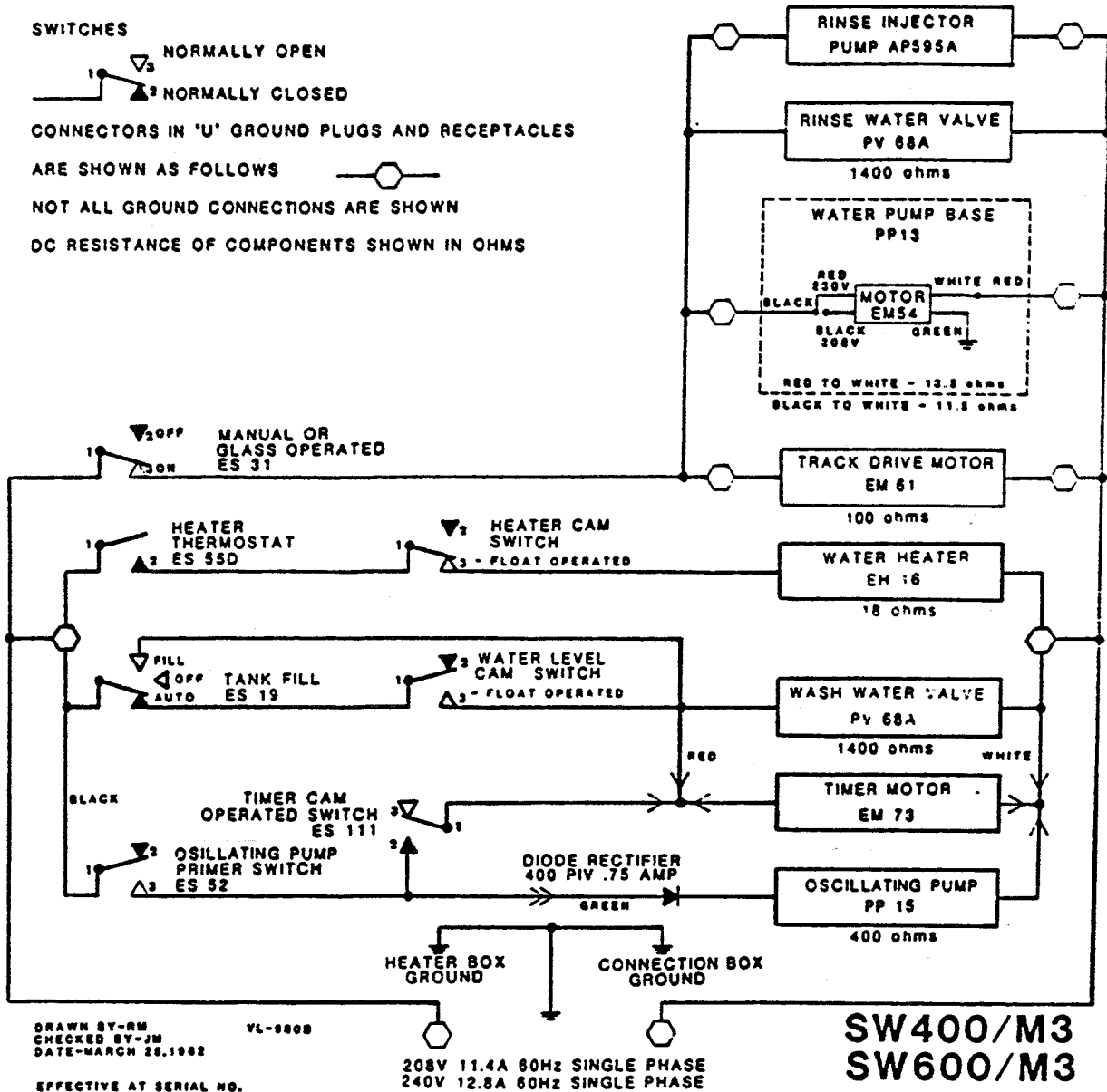
CONNECTORS IN 'U' GROUND PLUGS AND RECEPTACLES

ARE SHOWN AS FOLLOWS



NOT ALL GROUND CONNECTIONS ARE SHOWN

DC RESISTANCE OF COMPONENTS SHOWN IN OHMS



DRAWN BY-RM  
CHECKED BY-JM  
DATE-MARCH 25, 1962

VL-9808

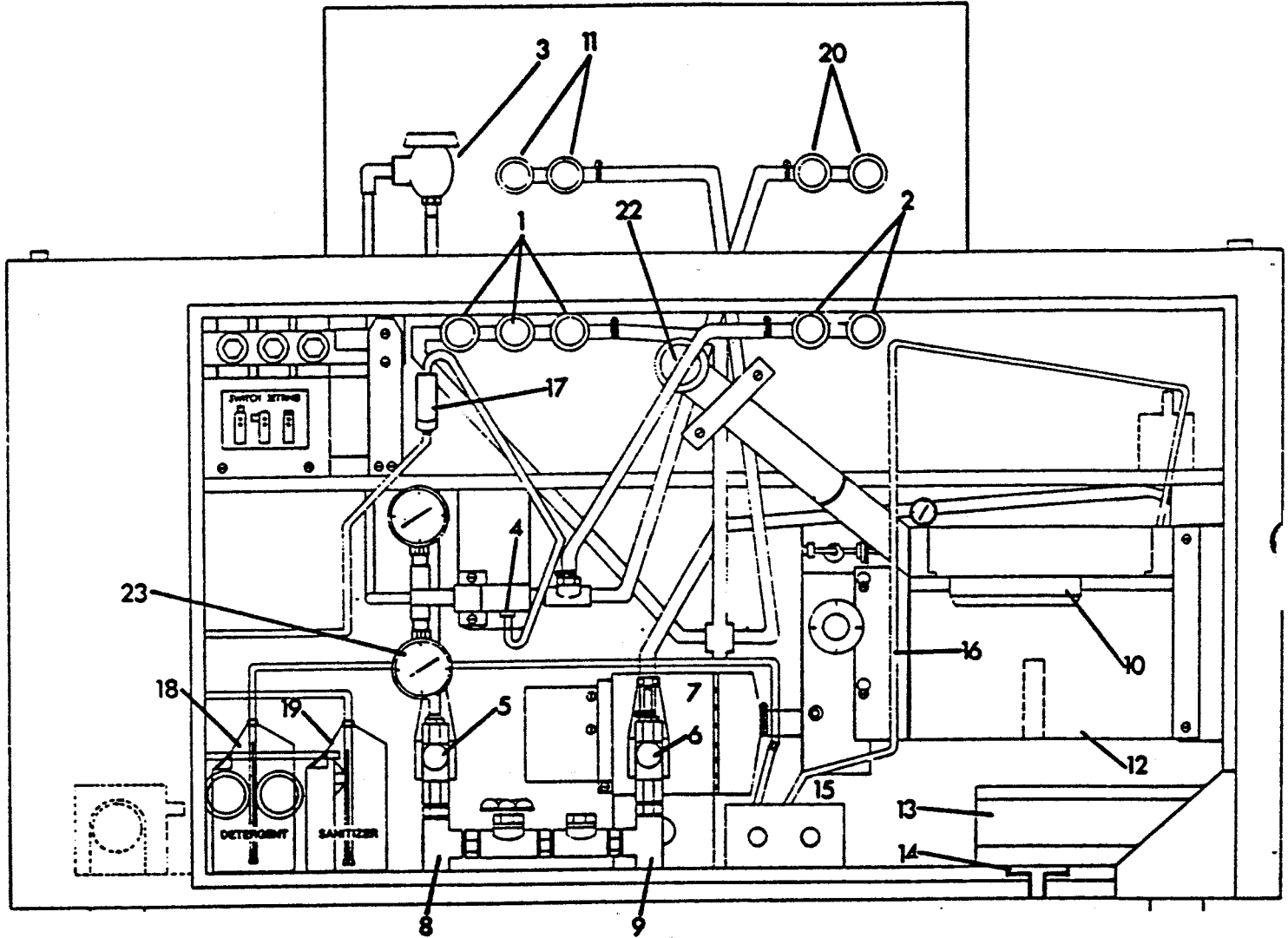
EFFECTIVE AT SERIAL NO.

208V 11.4A 60HZ SINGLE PHASE  
240V 12.8A 60HZ SINGLE PHASE

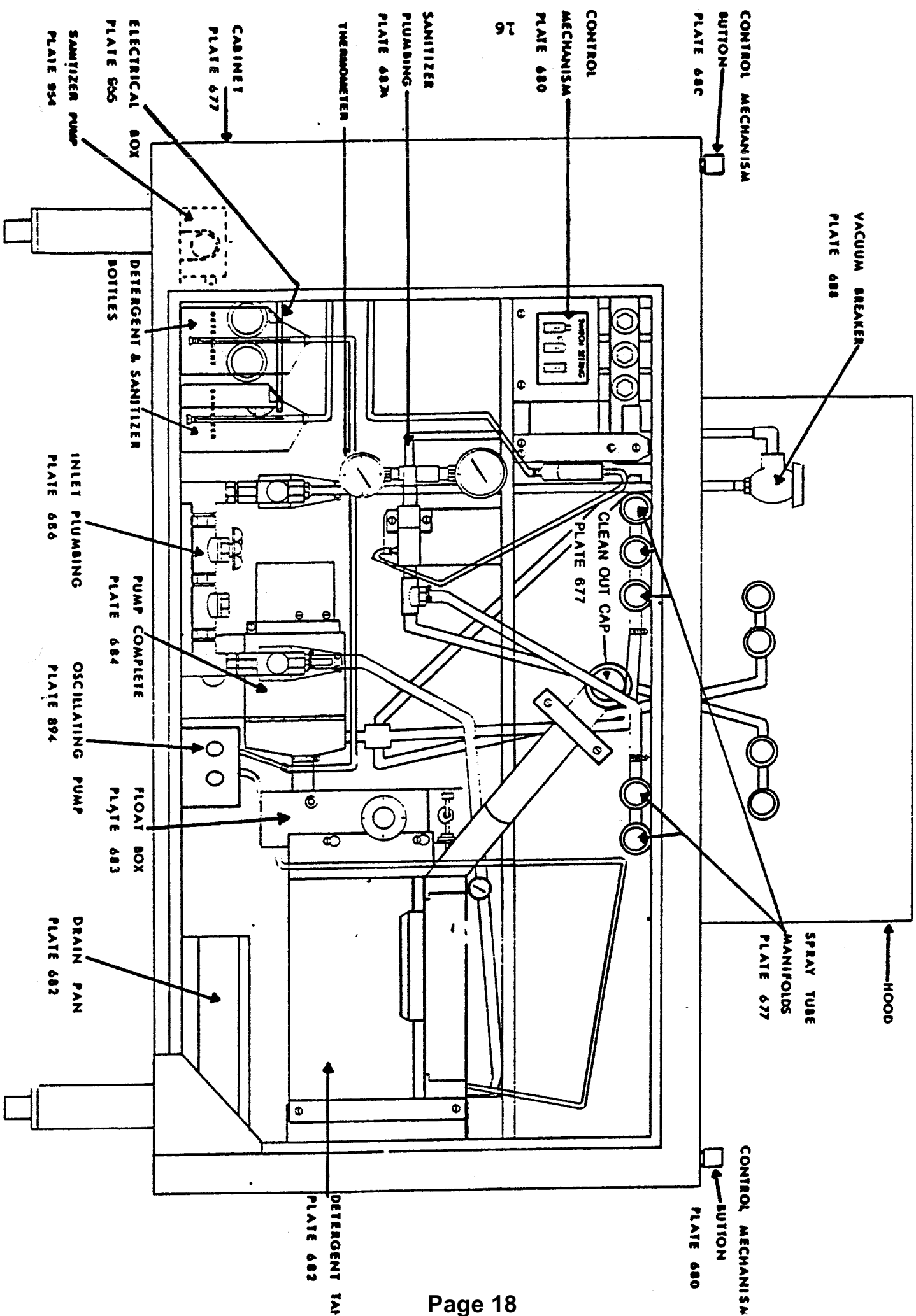
SW400/M3  
SW600/M3

# PLUMBING DIAGRAM

SW 400M3  
600M3



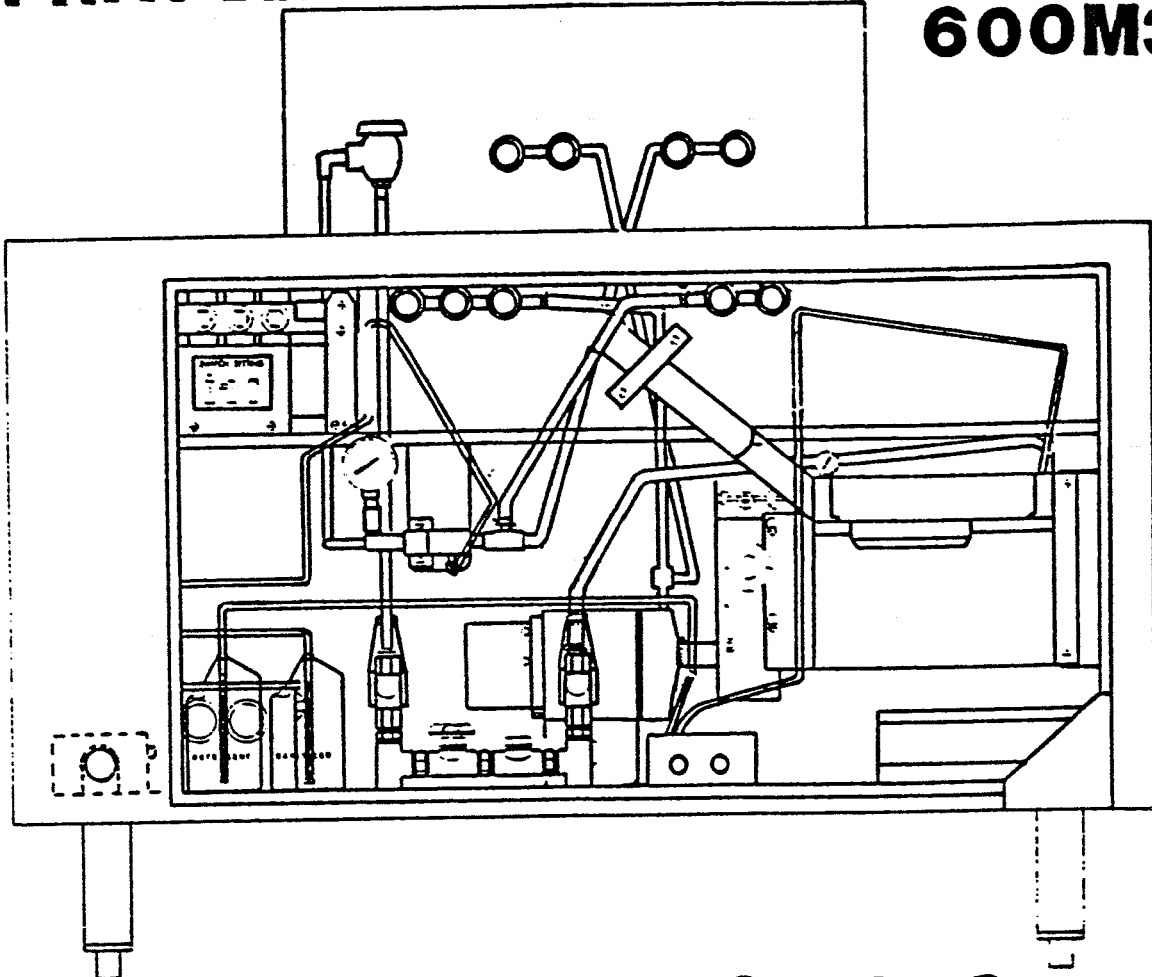
- |     |                          |     |                                    |
|-----|--------------------------|-----|------------------------------------|
| 1.  | BOTTOM WASH SPRAYS       | 12. | DETERGENT TANK                     |
| 2.  | BOTTOM RINSE SPRAYS      | 13. | DRAIN PAN                          |
| 3.  | VACUUM BREAKER           | 14. | DRAIN OUTLET C/W TAIL PIECE        |
| 4.  | SANITIZER INJECTION BARB | 15. | OSCILLATING PUMP & DETERGENT TIMER |
| 5.  | RINSE SOLENOID           | 16. | DETERGENT LINE                     |
| 6.  | HOT FILL SOLENOID        | 17. | FLOW METER                         |
| 7.  | WASH PUMP                | 18. | DETERGENT CONTAINER                |
| 8.  | COLD WATER SUPPLY        | 19. | SANITIZER TANK                     |
| 9.  | HOT WATER SUPPLY         | 20. | TOP RINSE SPRAYS                   |
| 10. | SCREEN ASSEMBLY          | 21. | SANITIZER PUMP                     |
| 11. | TOP WASH SPRAYS          | 22. | CLEAN OUT CAP                      |
|     |                          | 23. | THERMOMETER                        |



**THIS PAGE  
INTENTIONALLY LEFT  
BLANK**

# PARTS SW

## SPRAYWAY MODELS - 400M3 & 600M3



## ORDERING INSTRUCTIONS

1. TO IDENTIFY THE PART THAT YOU NEED, LOCATE IT VISUALLY IN THE MANUAL AND REFER TO IT BY THE PLATE AND PART NUMBERS GIVEN, WHEN ORDERING.
2. PLACE YOUR ORDER FOR PARTS WITH SERVICE AGENT.

## SERVICE

FOR COMPLETE SERVICE TO YOUR SPRAYWAY EQUIPMENT, CONTACT YOUR DEALER OR SERVICE AGENT, AS LISTED IN THE BACK OF YOUR MANUAL.

PLATE 677

SW400M2 CABINET

1.	NOT AVAILABLE	1	FRAME WELDED ASSEMBLY
2.	NOT AVAILABLE	1	TANK WELDED ASSEMBLY
	NOT AVAILABLE	1	FOR RH -MODELS
	NOT AVAILABLE	1	FOR LH MODELS
3.	0303009	1	TRIPLE RETAINING ROD
4.	0303010	1	DOUBLE RETAINING ROD
5.	0501412	10	#10-32 x 3/8 TH SS MC SCREW
6.	0703006	1	VACUUM BREAKER COVER ASSEMBLY
7.	NOT AVAILABLE	1	DETERGENT TANK STABILIZER BRACKET
8.	0701724	2	LIFT BRACKET ADJUSTMENT
			<u>INCLUDES</u>
9.	0501421	2	1/4-20 x 1 1/4 HEX SS MC SCREW
-----			
10.	0703037	1	STAND PIPE ASSEMBLY
11.	NOT AVAILABLE	1	DRAIN PIPE ASSEMBLY
12.	0501736	1	SHUT OFF ROD BUSHING
13.	0704757	1	3 HOLE MANIFOLD COMPLETE
			<u>INCLUDES</u>
15.	0701790	1	3 HOLE MANIFOLD
16.	0501745	3	"O" RING 7/8 ID x 1 1/16 OD
17.	0501746	3	MANIFOLD CAP
19.	0501716	3	MANIFOLD NUTS
20.	0503589	3	"O" RING 1/2 ID x 3/32 W
38.	0501753	3	"O" RING
-----			
14.	0704756	1	2 HOLE MANIFOLD COMPLETE
			<u>INCLUDES</u>
18.	0301795	1	2 HOLE MANIFOLD
16.	0501745	2	"O" RING 7/8 ID x 1 1/16 OD
17.	0501746	2	MANIFOLD CAP
19.	0501716	2	MANIFOLD NUTS
20.	0503589	2	"O" RING 1/2 ID x 3/32 W
38.	0501753	2	"O" RING
-----			
21.	0703038	1	DRAIN PIPE ASSEMBLY
22.	NOT AVAILABLE	1	ELBOW SUPPORT BAR
23.	0703179	1	SW400 LH FRONT PANEL ASSEMBLY
	0703201	1	SW600 LH FRONT PANEL ASSEMBLY
24.	0703002	1	LH HINGE RAIL
25.	0703251	1	LH DOOR ASSEMBLY
			<u>INCLUDES</u>
30.	0501921	1	DOOR HANDLE
31.	0501885	1	DOOR CATCH (NOT SHOWN)
-----			
26.	0703252	1	RH DOOR ASSEMBLY
			<u>INCLUDES</u>
30.	0501921	1	DOOR HANDLE
31.	0501885	1	DOOR CATCH (NOT SHOWN)
-----			
27.	0703296	1	BASE RAIL COVER
28.	0501873	4	FOOT
32.	0503722	2	#10-32 HEX NUT SS
33.	0501500	2	#10 LOCKWASHER SPLIT LIGHT SS
34.	0502970	1	DOOR CATCH PLATE
35.	0501748	1	2 1/4" DRAIN CAP
36.	0507079	1	"O" RING
39.	0703051	1	SHUT OFF ROD CATCH ASSEMBLY
40.	0703080	1	DISCONNECT TUBE ASSEMBLY
41.	0501464	2	#10-24 x 3/8 TH MC SC (NOT SHOWN)

# CABINET & TANK ASSEMBLY

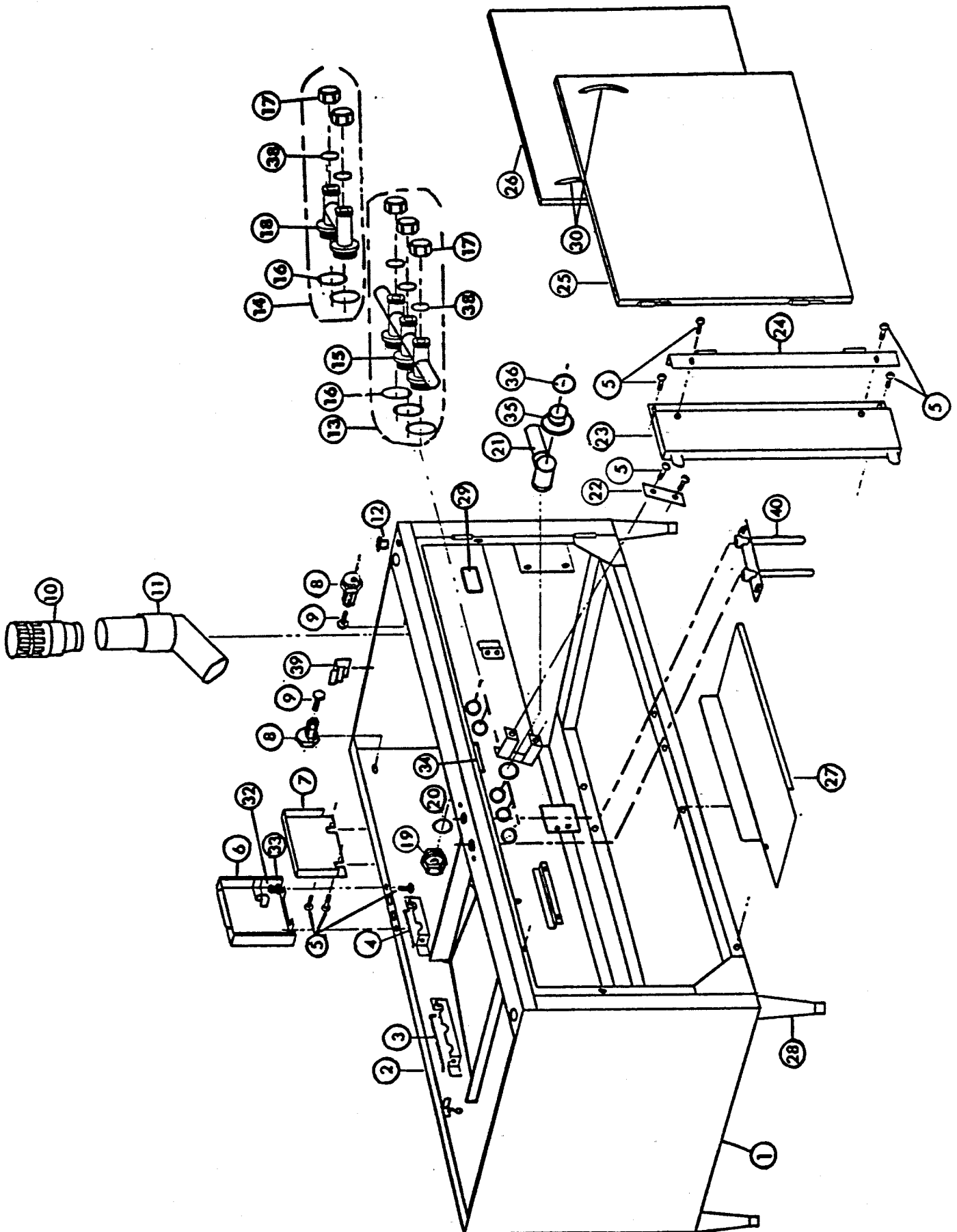


PLATE 742

CABINET & TANK ASSEMBLY

1.	NOT AVAILABLE	1	FRAME WELDED ASSEMBLY SW 400
	NOT AVAILABLE	1	FRAME WELDED ASSEMBLY SW 600
2.			<u>TANK WELDED ASSEMBLY</u>
	NOT AVAILABLE	1	SW 400 <u>LH</u> TANK WELDED
	NOT AVAILABLE	1	SW 600 <u>LH</u> TANK WELDED
	NOT AVAILABLE	1	SW 400 <u>RH</u> TANK WELDED
	NOT AVAILABLE	1	SW 600 <u>RH</u> TANK WELDED
3.	0703023	1	DRAIN PIPE ASSEMBLY
4.	0703002	1	LH HINGE RAIL
5.	0703003	1	RH HINGE RAIL
6.	0703201	1	LH FRONT PANEL ASSEMBLY
7.	0703203	1	RH FRONT PANEL ASSEMBLY
8.	0703205	1	FRONT RH PANEL SUPPORT ASSEM.
9.	0303206	1	FRONT LH PANEL SUPPORT ASSEM.
10.	0303209	1	DETERGENT SHELF
11.	0302941	1	PLUMBING SUPPORT SW400/600
12.	0302970	1	DOOR CATCH PLATE (NOT SHOWN)
13.	0703037	1	STAND PIPE ASSEMBLY
15.	0703051	1	SHUT OFF ROD CATCH ASSEMBLY
16.	0703080	1	DISCONNECT TUBE ASSEMBLY

PLATE 742  
**CABINET & TANK ASSEMBLY SW600M3**

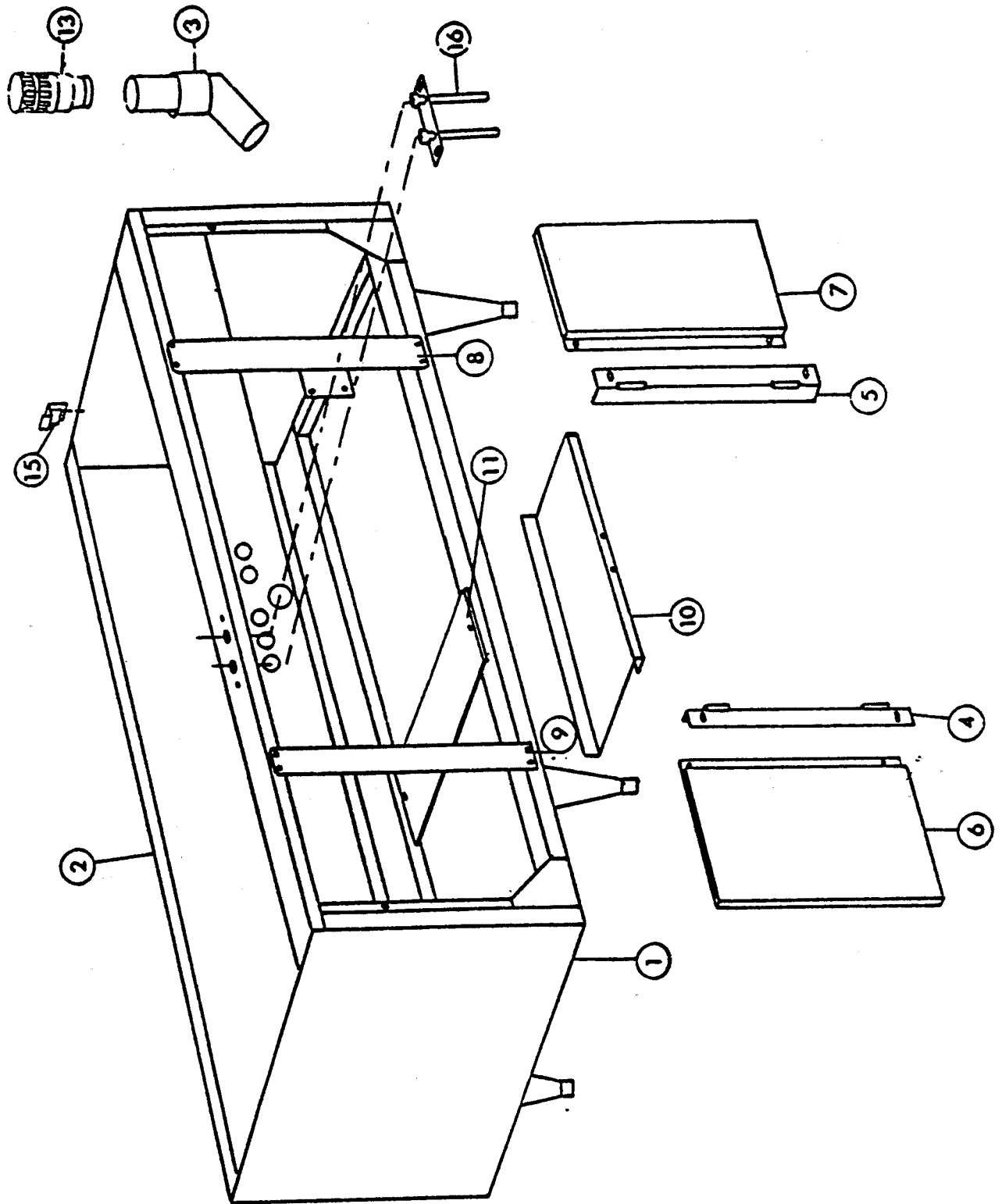


PLATE 679

LIFT BRACKET & DRIVE ASSEMBLY

1.	0501899	1	CHAIN #25 x 94 ROLL ENDLESS
2.	0503671	2	SHOULDER BOLT - SW400M3
	0503671	1	SHOULDER BOLT - SW600M3
3.	0308976	2	DRIVE GEAR ROLLER - SW400M3
	0308976	1	DRIVE GEAR ROLLER - SW600M3
4.	0301704	1	SPROCKET 5/8" BORE 54 TEETH
-----			<u>INCLUDES</u>
5.	0501395	2	1/4-20 x 5/16 SS SET SCREW
-----			
6.	0501731	1	DRIVE SHAFT SPACER
7.	0501729	2	DRIVE SHAFT BUSHING
8.	0501428	6	1/4-20 x 3/4 HEX SS SCREW
9.	0301732	1	DRIVE SHAFT
10.	0501512	4	1 1/2" x 3/16" GROOVE PIN SS
11.	0305161	2	SIDE RAIL - SW400M3
	0301737	2	SIDE RAIL - SW600M3
12.	0501593	3	LIFT BRACKET ROD - SW400M3
	0501593	4	LIFT BRACKET ROD - SW600M3
13.	0501407	8	#8-32 x 1/4 RH SS MC SCREW
14.	0501485	3	#12 NYLTITE WASHER - .062
	0501486	3	#12 NYLTITE WASHER - .031
15.	0501418	6	1/4-20 x 1/2 SCREW - SW400M3
	0501418	8	1/4-20 x 1/2 SCREW - SW600M3
16.	0501345	1	DRIVE MOTOR 220V 60HZ 3RPM
-----			<u>INCLUDES</u>
17.	0501355	1	2 5/8" DIAMETER FAN
-----			
18.	0708979	1	MOTOR MOUNT ASSEMBLY
19.	0501793	1	16 TOOTH SPROCKET
-----			<u>INCLUDES</u>
5.	0501395	2	1/4-20 x 5/16 SOCK SET SCREW
-----			
20.	0703154	1	LIFT BRACKET ASSEMBLY - SW400
	0703213	1	LIFT BRACKET ASSEMBLY - SW600
21.	0501722	2	IDLER SHAFT BUSHING
22.	0301733	1	IDLER SHAFT
23.	0701709	4	CONVEYOR SPROCKET
24.	0501256	1	DRIVE MOTOR HARNESS
			(NOT SHOWN)
25.	0501702	1	EXT RETAIN RING 5/8" SS

# LIFT BRACKET & DRIVE ASSEMBLY

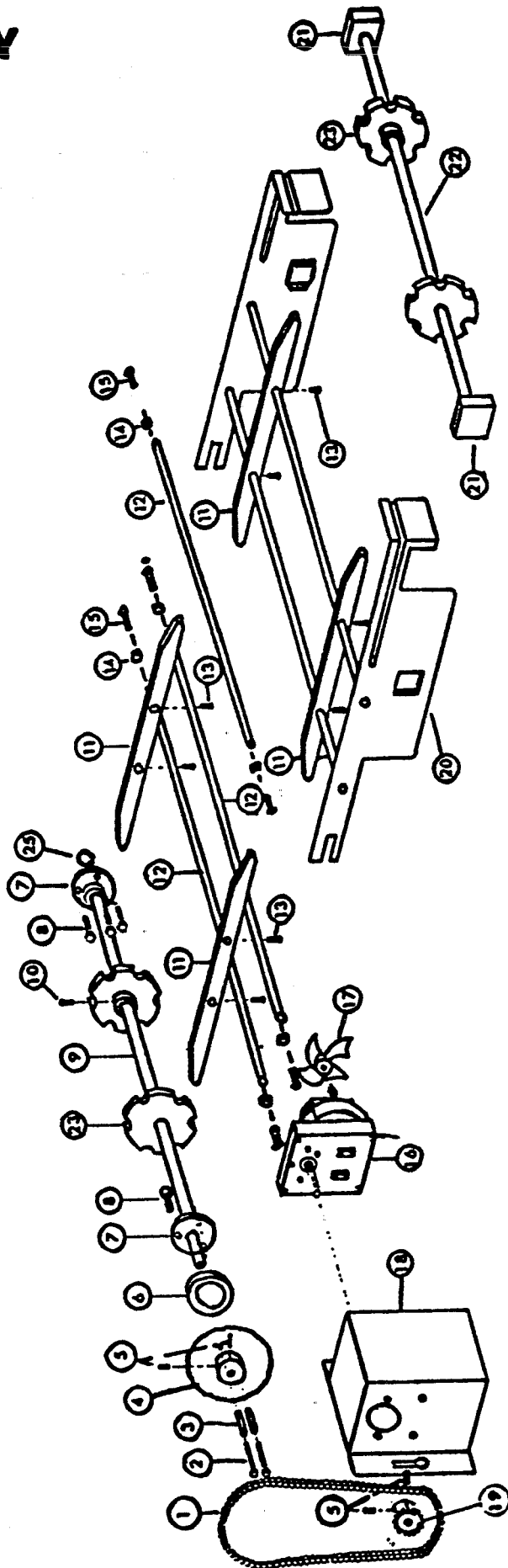


PLATE 680

CONTROL MECHANISM

1.	0703112	1	SHUT-OFF ROD ASSEMBLY (R-L)
2.	0703114	1	SHUT-OFF ROD ASSEMBLY (L-R)
3.	0501728	2	PIVOT CAP
4.	0501721	2	ACTIVATOR CHANNEL PIVOT
5.	0302975	2	SLIDE WASHER
6.	0501727	2	ACTIVATING CHANNEL GUIDE
7.	0501407	4	#8-32 x 1/2 SS MC SCREW
8.	0703152	1	ACTIVATING CHANNEL ASSEM SW400
	0703216	1	ACTIVATING CHANNEL ASSEM SW600
9.	0303159	1	SWITCH SUPPORT
10.	0501403	1	#10-32 x 3/4 MC SCREW - BRASS
11.	0501418	2	1/4-20 x 1/2 RH SS MC SCREW
12.	0503592	1	GROUND LABEL
13.	0501493	1	#10 LOCKWASHER EXTTOOTH-BRONZE
14.	0501533	2	#10-32 NUT BRASS
15.	0501472	1	#10L FLATE WASHER - BRASS
16.	0502977	1	NUT PLATE
17.	0501375	1	TRIP SWITCH C/W ROLLER
18.	NOT AVAILABLE	2	#6-32 x 1 RH MC SCREW
19.	0302967	1	ACTIVATING ARM - SW400
	NOT AVAILABLE	1	ACTIVATING ARM - SW600
20.	0503676	1	EXTENSION SPRING
21.	NOT AVAILABLE	1	ADJUSTMENT MOUNT
22.	0501260	1	SWITCH LEAD HARNESS (NOT SHOWN)
23.	NOT AVAILABLE	1	ADJUSTING ARM
24.	0303035	1	WASHER
25.	0501442	2	#10-32 x 1/2 SHOULDER BOLT
26.	NOT AVAILABLE	1	SWITCH SETTING LABEL - LH
	NOT AVAILABLE	1	SWITCH SETTING LABEL - RH
27.	0302968	1	SWITCH COVER
28.	0501720	3	ACTIVATING ARM PIVOT
29.	0501485	5	1 x 3/8 ID POLTETH WASHER
30.	0501412	4	#10-32 x 3/8 TH SS MC WASHER

# CONTROL MECHANISM

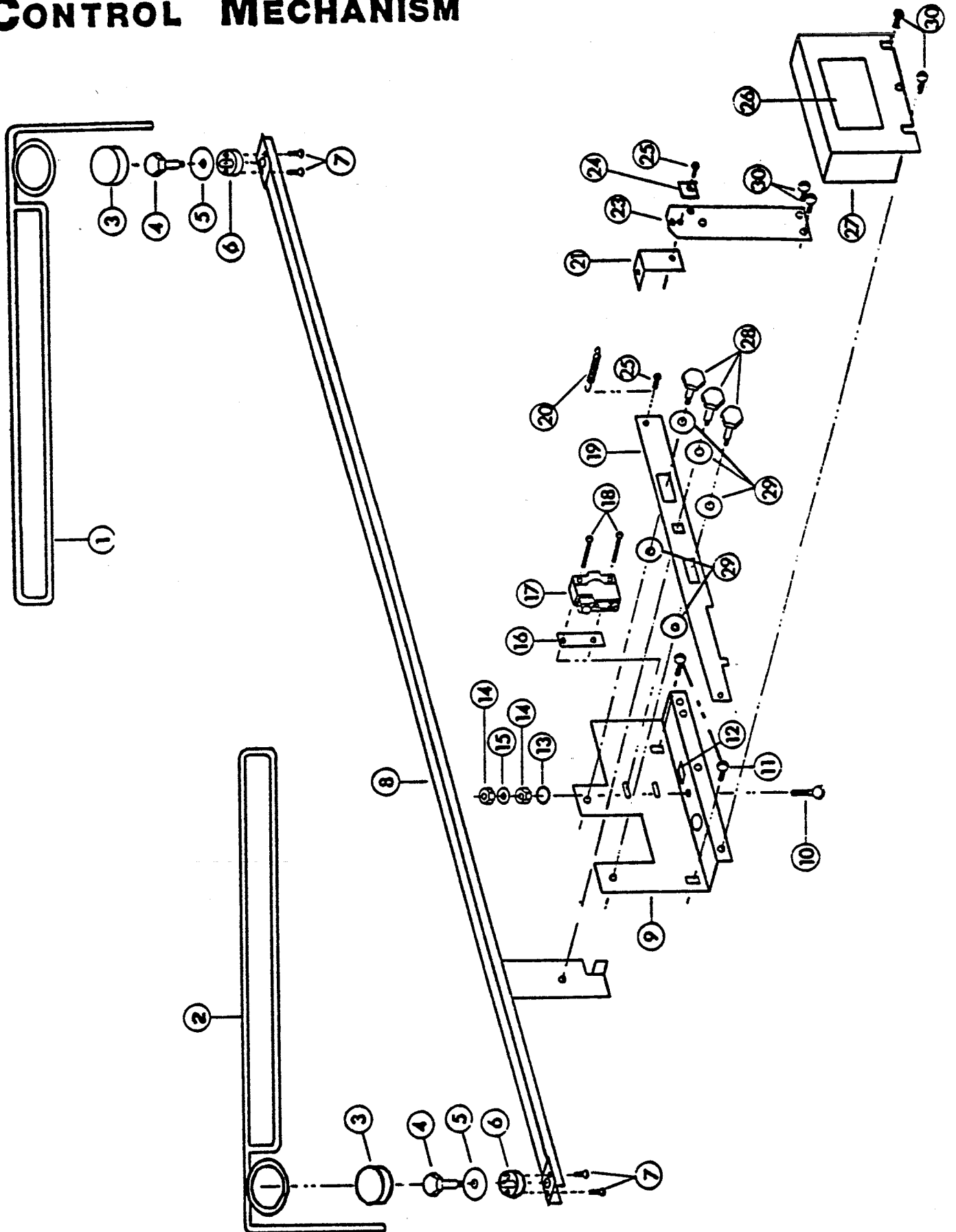


PLATE 955

ELECTRICAL BOX

0700373	1	ELECTRICAL BOX COMPLETE	
-----			
		<u>INCLUDES</u>	
1.	0303281	1	ELECTRICAL BOX ASSEMBLY
2.	0303026	1	ELECTRICAL BOX COVER
3.	0501491	4	#10-32 x 5/16 PAN HD SCREW
4.	0503345	1	PLUG INDICATION LABEL
5.	0501305	4	250V 15A U GR RECEPT. SCREWS
6.	0503647	3	STRAIGHT 2 SCREW CABLE CLAMP
7.	0501450	8	#6-32 x 1/4 RH NIBS MC SCREW
8.	0501403	1	#10-32 x 3/4 RH MC SCREW-BRASS
9.	0503592	1	GROUND LABEL (NOT SHOWN)
10.	0501493	1	#10 LOCKWASHER EXTTOOTH-BRONZE
11.	0501533	3	#10-32 NUT - BRASS
12.	0501472	3	#10L FLAT WASHER - BRASS
13.	0501281	1	ELECT. BOX HARNESS(NOT SHOWN)
14.	0501231	1	POWER LEAD HARNESS(NOT SHOWN)
15.	0503301	1	WARNING LABEL
16.	0303027	1	ELECTRICAL BOX COVER
17.	0501261	1	RINSE VALVE CORD (NOT SHOWN)
18.	0503305	1	ELECTRICAL LABEL (NOT SHOWN)
-----			

# ELECTRICAL BOX

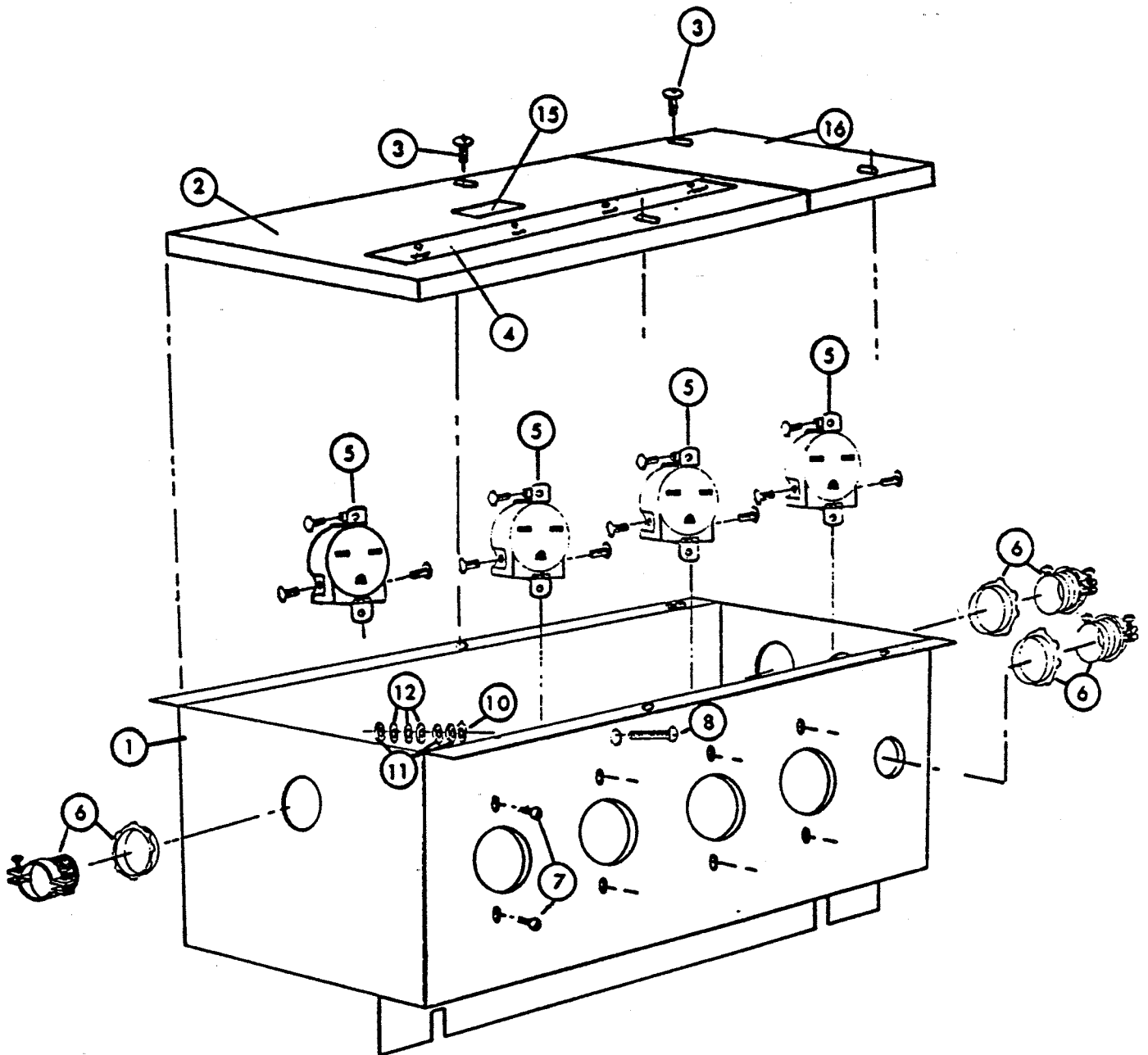


PLATE 682A

DETERGENT TANK

1.	0703227	1	DETERGENT TANK ASSEMBLY
2.	0303172	1	REAR COVER
3.	0703171	1	FRONT COVER ASSEMBLY
4.	0702978	1	SCREEN ASSEMBLY
5.	0300831	1	STAND PIPE
6.	0501600	1	THERMOMETER 2' DIAL 8" STEM
15.	0303182	1	DRAIN SCREEN - SW400
	0303212	2	DRAIN SCREEN - SW600
16.	0703269	1	DRAIN PAN ASSEMBLY - SW400
	0703268	1	DRAIN PAN ASSEMBLY - SW600
21.	0501412	6	#10-32 x 3/8 TH SS MC SCREW
30.	0501330	1	HEATER ASSEMBLY WITH "O" RING
23.	0503588	1	"O" RING 1 1/8 x 3/8 SILICONE
25.	NOT AVAILABLE	1	COVER PLATE
26.	0702984	1	DETERGENT DRAIN INLET PLATE
28.	0504864	1	OPERATING TEMPERATURE LABEL
31.	0503656	1	3/8 SNAP BUSHING

# DETERGENT TANK

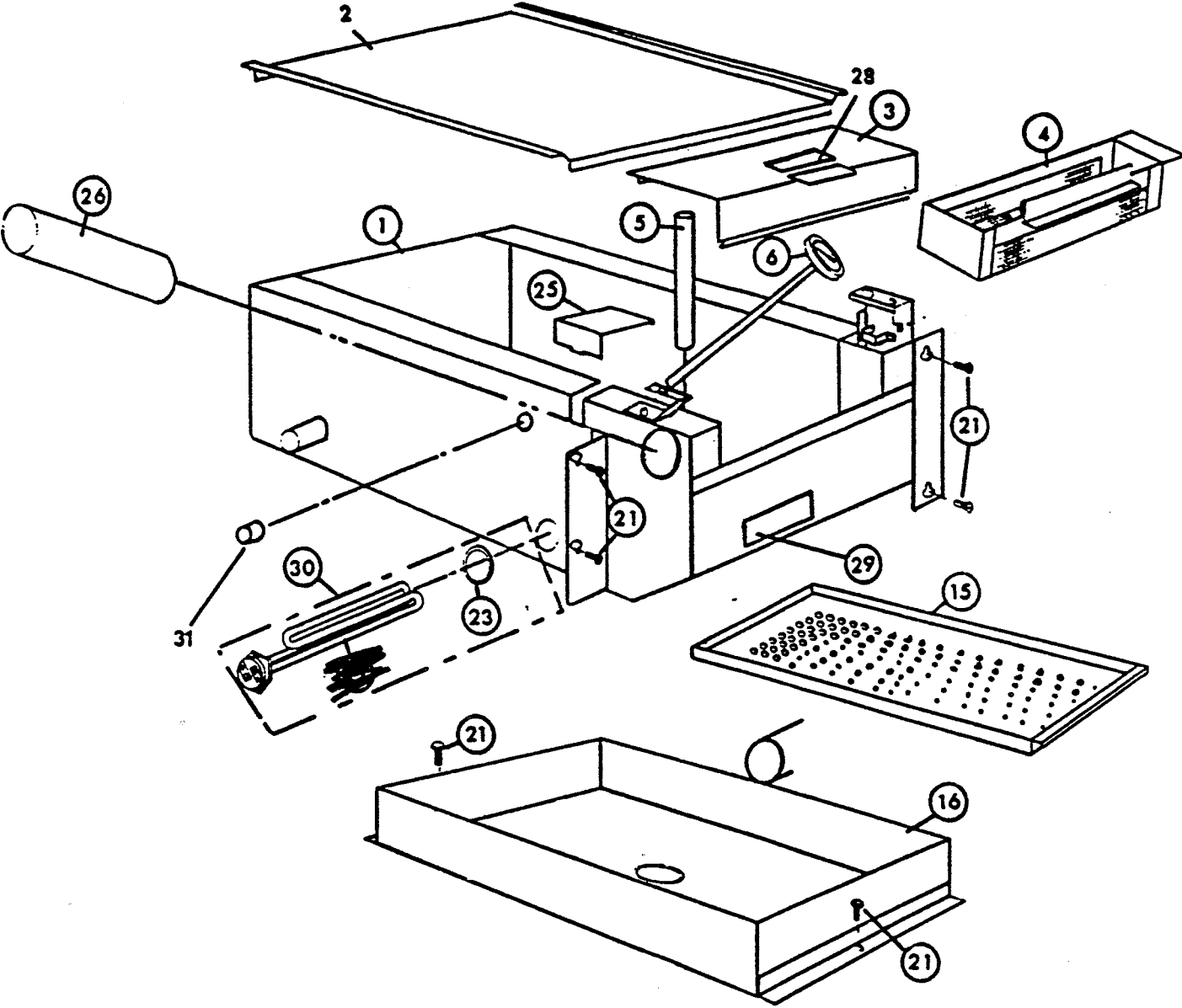


PLATE 683A

FLOAT BOX ASSEMBLY

1.	0703186	1	FLOAT BOX COVER ASSEMBLY
2.	NOT AVAILABLE	1	FLOAT BOX ASSEMBLY
3.	0501373	1	3 POS. TOGGLE SWITCH
4.	0503574	2	SMALL STRAIN RELIEF
5.	0501412	4	#10-32 x 3/8 TH SS MC SCREW
7.	NOT AVAILABLE	1	RUBBER GROMMET
8.	0703372	2	SPRING CLIP ASSEM. FOR THERMO
9.	0303465	3	SPACER
10.	0503731	2	TIMER SHAFT BEARING
11.	0701933	1	FLOAT CAM
12.	0700380	1	1" BRASS CAM & SET SCREW
13.	0303673	1	CAM BUSHING - MACHINED
14.	0300811	1	FLOAT ROD
15.	0503670	1	FLOAT BALL - SS
16.	0501375	2	TRIP SWITCH C/W ROLLER
17.	0503657	2	#6-32 x 3/4" RH MC SCREW
18.	0501377	1	VARIABLE THERMOSTAT
20.	0704763	1	THERMOSTAT COVER
21.	0501533	2	#10-32 NUT - BRASS
22.	0501472	2	#10L FLATWASHER - BRASS
23.	0501493	1	#10 LOCKWASHER - BRONZE
24.	0501403	1	#10-32 x 3/4 SCREW - BRASS
26.	0501228	1	HEATER CORD SET (NOT SHOWN)
27.	0501275	1	FLOAT BOX HARNESS (NOT SHOWN)
28.	0503693	1	SWITCH UP WHEN OPERAT. LABEL

# FLOAT BOX ASSEMBLY

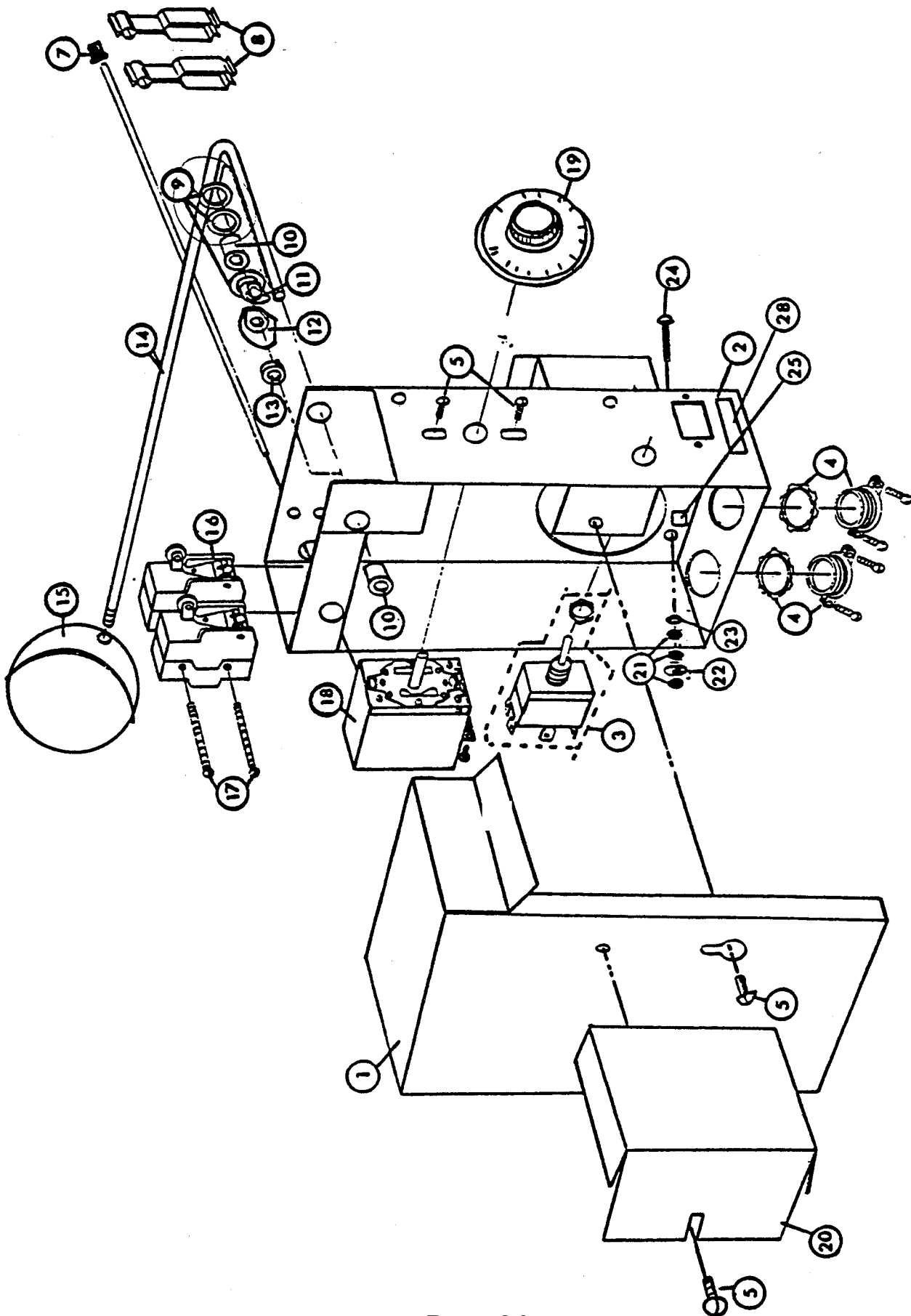


PLATE 684

PUMP COMPLETE

1.	0703126	1	PUMP BASE ASSEMBLY
2.	0501403	1	#10-32 x 3/4 RH SCREW - BRASS
3.	0501472	3	#10L FLAT WASHER - BRASS
4.	0501533	2	#10-32 NUT - BRASS
5.	0503647	1	STRAIGHT 2 SCREW CABLE CLAMP
6.	0503648	4	#8-32 x 5/16 PAN MC SCREW
7.	0501456	2	1/4-20 x 1/2 IND HEX SCREW
8.	NOT AVAILABLE	1	1/2" SNAP BUSHING
9.	NOT AVAILABLE	1	#8-32 x 3/4 RH MC SCREW
10.	0300187	1	PUMP SHIELD
11.	NOT AVAILABLE	1	#8-32 HEX NUT
12.	0502692	1	230V 60HZ PUMP WITH MOTOR
-----			
<u>INCLUDES</u>			
13.	0502734	1	STUB SHAFT
14.	0502730	1	SEAL KIT C/W SPRING
15.	0502729	1	IMPELLER
16.	0502731	1	PUMP HOUSING
17.	0501634	1	"O" RING 5/16 ID x 1/16 W
18.	0302732	1	SEAL SCREW FOR HOUSING
28.	NOT AVAILABLE	1	230V PUMP MOTOR
-----			
19.	0502563	4	1" SS GEAR TYPE HOSE CLAMP
20.	0502668	1	1" ID x 1 BRD WATER HOSE 4"
21.	0501792	1	PUMP HOSE CONNECTOR
22.	0503679	4	7/16 GEAR TYPE HOSE CLAMP SS
23.	0502665	1	1/2" ID x 13/16" OD BRD TUBE
24.	0501284	1	PUMP MOTOR HARNESS (NOT SHOWN)
25.	0502668	1	1" ID x 1 BRD WATER HOSE 6.5"
26.	0503592	1	GROUND LABEL (NOT SHOWN)
27.	0502663	1	3/8 x 5/8 BRD TUBING 24" LONG



PLATE 894

DETERGENT TIMER & OSCILLATING PUMP

0700366 1 DETERGENT TIMER/OSCILL. PUMP ASS'Y  
-----INCLUDES

1. 0502694 1 OSCILLATING PUMP 230V 60HZ

-----INCLUDES

2. 0502739 1 HOSE CONNECTOR OUTLET

3. 0502737 1 POPPET VALVE ASSEMBLY

4. 0502736 1 DIODE

5. 0502735 1 COIL AND FRAME ASSEMBLY

6. 0502738 1 CONNECTOR INLET

-----  
7. 0703076 1 PUMP SUPPORT ASSEMBLY

8. 0703083 1 OSCILLATING PUMP SUPPORT ASSEMBLY

15. 0501274 1 OSCILLATING PUMP CORD (NOT SHOWN)

16. 0501275 1 FLOAT BOX HARNESS (NOT SHOWN)

17. 0505899 1 15 POINT TERMINAL BLOCK

18. NOT AVAILABLE 1 STRAIGHT 2 SC. CABLE CLAMP

19. 0501348 1 TIMER MOTOR 230V 60HZ

20. NOT AVAILABLE 2 #4-40 x 1/4 RH MC SCREW

21. 0501403 1 #10-32 x 3/4 RH BRASS MC SCREW

22. 0501493 1 #10 LOCKWASHER EXTTOOTH BRONZE

23. 0501353 3 #8-32 NUT BRASS

24. 0501472 4 #10L FLAT WASHER BRASS

25. 0503592 1 GROUND LABEL (NOT SHOWN)

26. 0703086 1 TIMER CAM ASSEMBLY

27. 0501397 1 #6-40 x 3/16 SOCK SET CUP PT.

28. 0501432 1 PORTION SCREW

29. 0503363 1 PORTION SWITCH BRACKET

30. 0501924 4 EXTENSION SPRING

31. 0503716 1 RUBBER GROMMET 5/8 ID (NOT SHOWN)

32. 0506649 1 SELECTION SWITCH

33. 0501363 1 SWITCH (PORTION)

34. 0300903 1 SWITCH HOLDER CLAMP

35. 0501412 6 #10-32 x 5/16 PAN HD MC SCREW

36. NOT AVAILABLE 1 #6-32 x 1 RH MC SCREW

37. 0501551 1 #6-32 KEPS NUT

38. 0501925 1 SPRING (PORTION) (NOT SHOWN)

39. 0505469 2 #6-32 x 1/2 RH MC SCREW

40. 0501551 2 #6-32 KEPS NUT

41. 0501310 1 1/2" ALUMINUM LOCK NUT

-----  
9. 0501518 1 5 1/2" NYLON TIE

10. 0502667 1 1/4 ID x 3/8 OD PVC BEV TUBE 40" LONG

11. 0502667 1 1/4 ID x 3/8 OD PVC BEV TUBE 17" LONG

12. 0503695 1 DETERGENT LABEL

13. 0306363 1 STIFFENER WIRE

14. 0501862 1 STRAINER

# DETERGENT TIMER & OSCILLATING PUMP

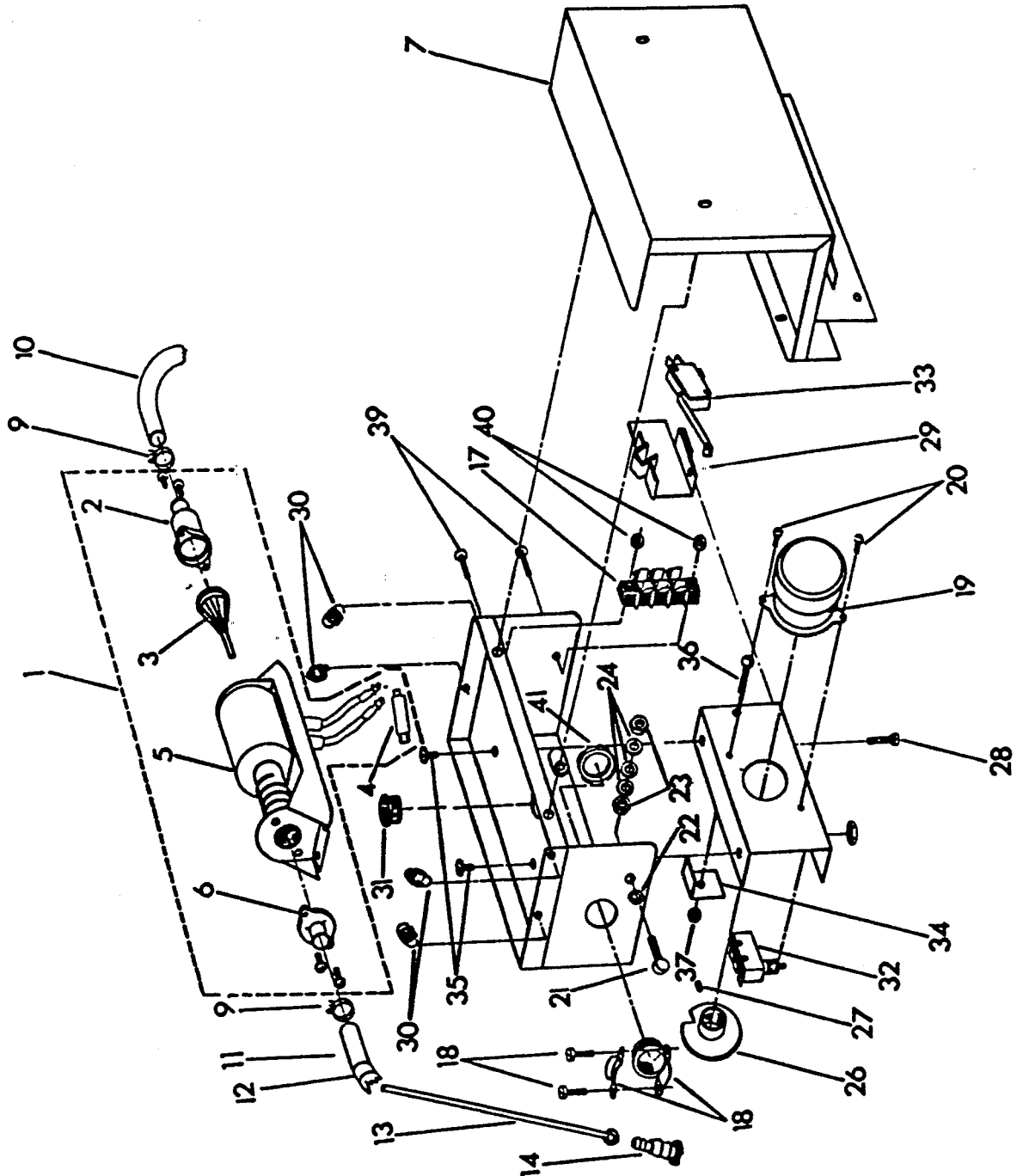


PLATE 893A

FLOW METER ASSEMBLY

1.	0301700	1	FLOW METER C/W 3/16 BARB
----- <u>INCLUDES</u> -----			
2.	0501895	1	SS BALL
4.	0501644	2	"O" RING 3/16 ID x 1/16 W
5.	0501647	2	HOSE BARB FOR 3/16 HOSE
6.	0301700	1	FLOW METER GLASS
-----			
8.	0501518	2	4" NYLON TIE
9.	0502666	1	1/8 ID x 1/4 OD PVC BEV TUBING 26"
10.	0503694	1	STERILIZER LABEL
11.	0502666	1	1/8 ID x 1/4 OD PVC TUBE 24"
12.	0306363	1	STIFFENING WIRE
13.	0501862	1	FOOT VALVE
14.	0306054	1	SINGLE FLOW METER BRACKET
15.	0501412	1	#10-32 x 3/8 TH SS MC SCREW
16.	0503679	1	7/16 SS GEAR TYPE HOSE CLAMP

# FLOW METER ASSEMBLY

PLATE 893A

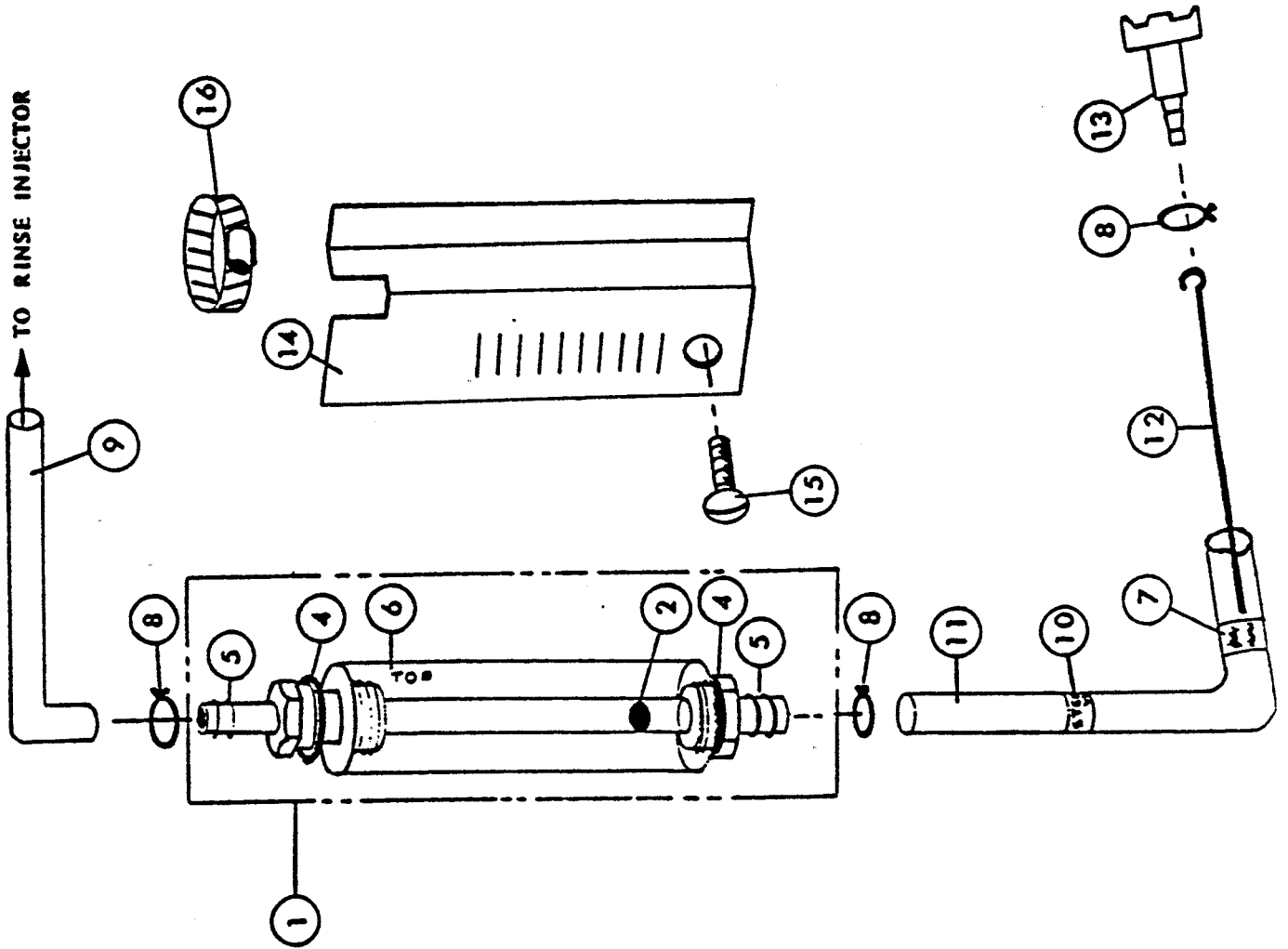


PLATE 686

INLET PLUMBING

1.	0501406	4	#8-32 x 1/2" RH MC SCREW
2.	0300861	2	CABLE CLAMP
3.	0300862	2	CABLE CLAMP BRACKET
4.	0503592	2	GROUND LABEL
5.	0501403	2	#10-32 x 3/4 RH BRASS MC SCREW
6.	0501538	4	#8-32 HEX NUT SS
7.	0501493	2	#10 LOCKWASHER EXTTOOTH-BRONZE
8.	0501533	4	#10-32 NUT - BRASS
9.	0502783	2	SOLENOID VALVE
-----			
			<u>INCLUDES</u>
10.	0502806	1	230V 50/60HZ COIL
11.	0505229	1	SOLENOID GUIDE
12.	0505230	1	DIAPHRAGM KIT
13.	0502803	1	SCREEN
14.	0502804	1	SEAL WASHER
15.	0502810	1	FLOW WASHER
16.	0502807	1	WASHER
-----			
17.	0502618	1	COUPLER 3/8 MPT x 1/2 OD HOSE BARB
18.	0502606	1	COUPLER 3/8 HOSEBARB x 3/8MPT
19.	0502605	5	REDUCING HEX NIPPLE 1/2 x 3/8
20.	0502581	3	TEE 1/2 FPT
21.	0502768	1	STOP VALVE 3/8" FPT x 3/8 FPT
22.	0502635	1	1/2" BRASS PIPE PLUG TAPERED
23.	0300203	1	VALVE SUPPORT ASSEMBLY
24.	0501412	2	#10-32 x 3/8 TH MC SCREW
25.	0501261	1	RINSE VALVE HARNESS (NOT SHOWN)
26.	0503679	1	7/16" SS GEAR TYPE CLAMP
27.	0502663	1	3/8 ID x 5/8 OD INR BRD PVC TUBING 31" LONG
28.	0501472	2	#10L FLAT WASHER - BRASS
29.	0503342	1	RINSE WATER TEMPERATURE LABEL (NOT SHOWN)

# INLET PLUMBING

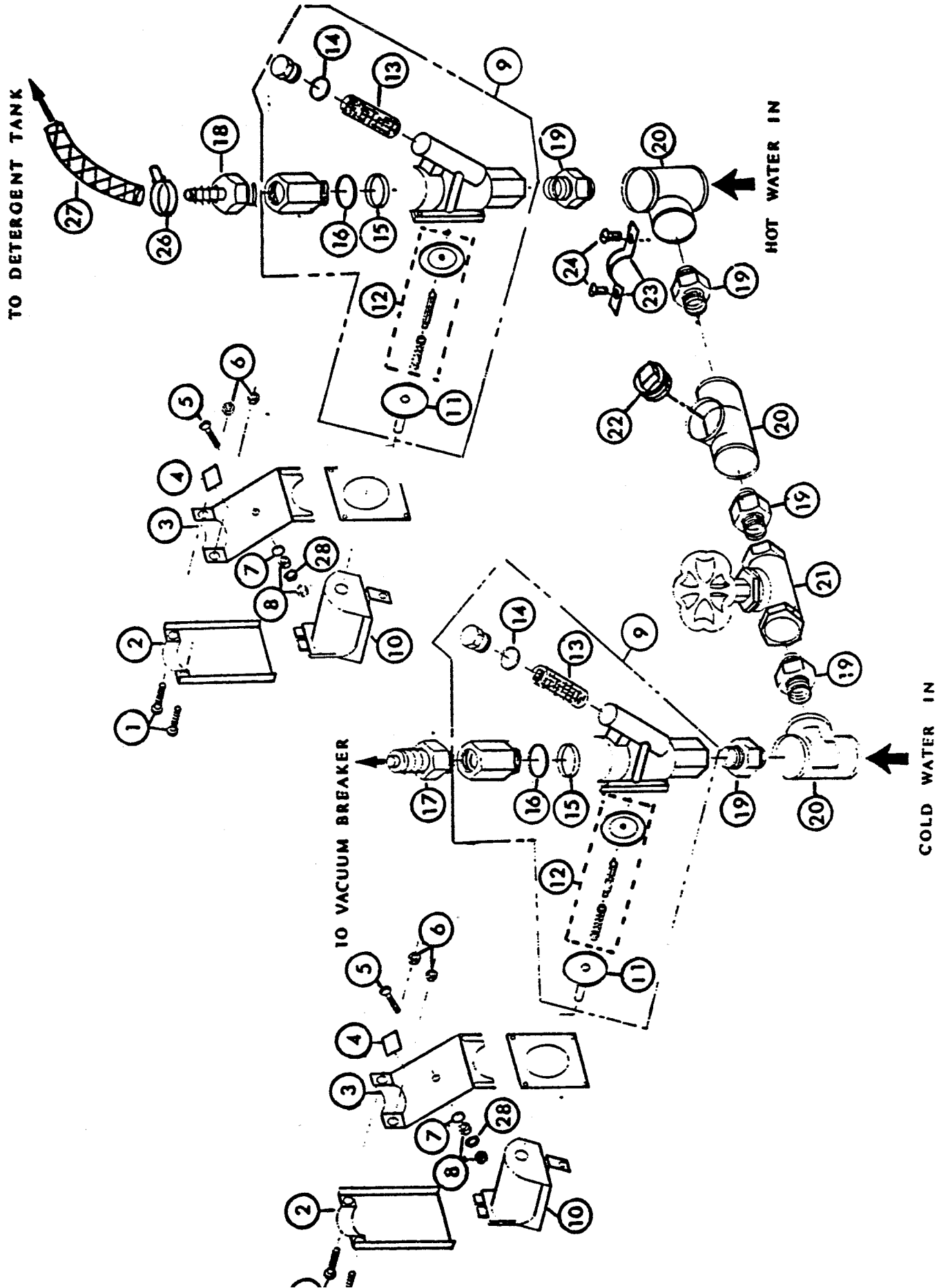


PLATE 687A

SANITIZER PLUMBING

1.	0501780	1	INJECTOR BARB FITTING
2.	0501644	1	"O" RING 3/16 ID x 1/16 W
3.	0501647	1	HOSE BARB FOR 3/16" HOSE
4.	0503679	5	7/16 GEAR TYPE SS HOSE CLAMP
5.	0502665	1	1/2 ID x 3/16 OD BRD PVC PVC TUBING 30"
6.	0502618	2	COUPLER 3/8 MPT x 1/2 OD
7.	NOT AVAILABLE	1	PLUMBING CLAMP
8.	0501456	2	1/4-20 x 1/2 IND HEX SEMS MC SCREW
9.	0502560	1	TEE 3/8" IPS
10.	0502577	1	BUSHING 3/8 MPT x 1/4 FPT
11.	0502781	1	NEEDLE VALVE 1/4 MPT x 1/4 FPT
12.	0507100	1	PRESSURE GAUGE
13.	0502665	1	1/2 ID x 13/16 OD BRD PVC TUBING 12"
14.	0502663	1	3/8 x 5/8 BRD PVC TUBING 9"
15.	NOT AVAILABLE	1	ELBOW 3/8 HOSE BARB x 3/8 MPT
16.	NOT AVAIALBLE	1	ELBOW 1/2 FLM x 3/8 MPT
17.	0503668	1	THERMOMETER (NOT SHOWN)
18.	0502583	1	CROSS 3/8 FPT

# SANITIZER PLUMBING

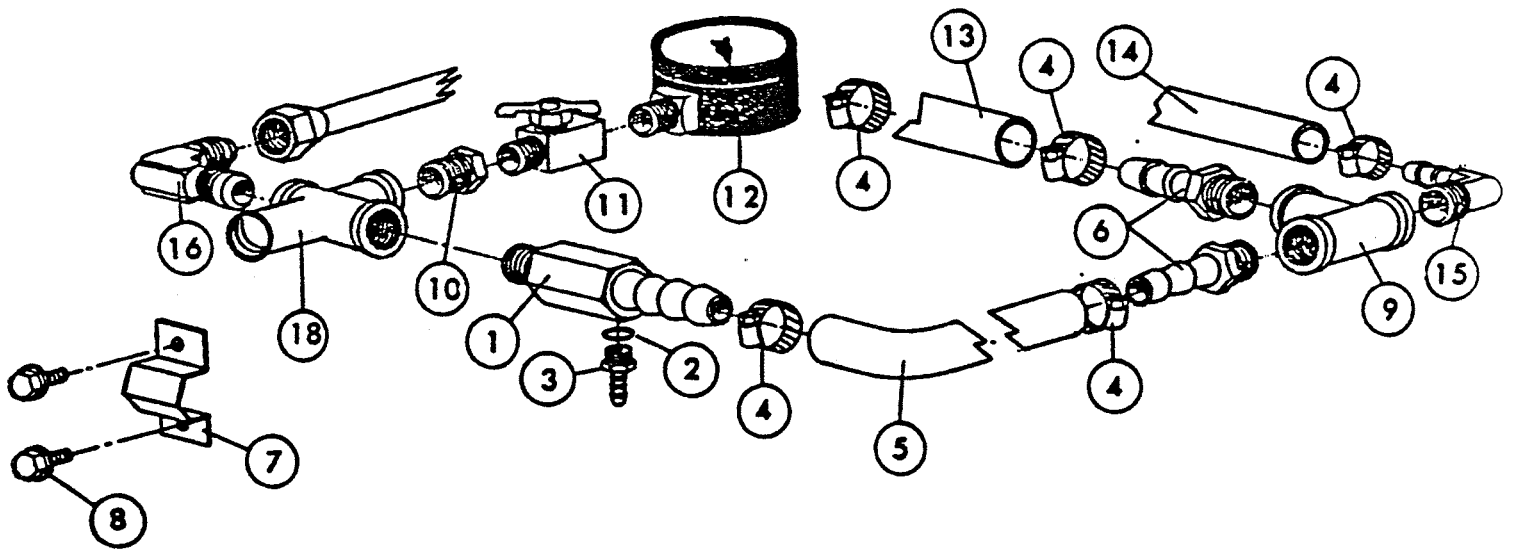


PLATE 688

VACUUM BREAKER

1.	0502751	1	1/2" VACUUM BREAKER
			<u>INCLUDES</u>
2.	NOT AVAILABLE	1	HOOD COVER
3.	0502763	1	REPAIR KIT
5.	0703185	1	VACUUM BRAKER INLET
6.	0502559	2	5/8" GEAR TYPE HOSE CLAMP
7.	0502665	1	1/2" x 3/4" BRAIDED PVC TUBING 14 3/4" LONG
8.	0703187	1	RETURN LINE
9.	0703186	1	VACUUM BREAKER OUTLET

# VACUUM BREAKER

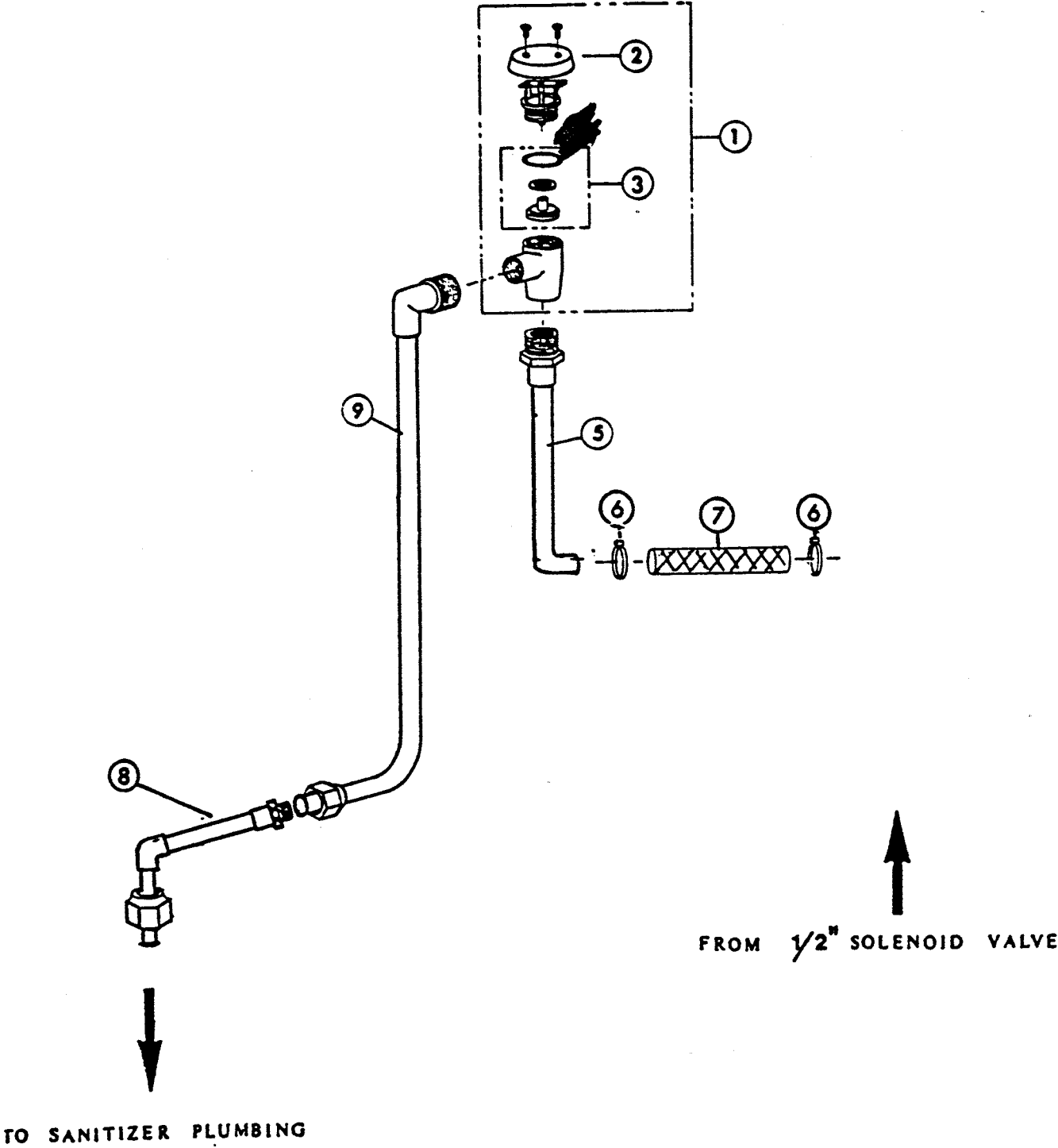


PLATE 953

RINSE INJECTOR BOX

NOT AVAILABLE 1

RINSE INJECTOR BOX ASSEMBLY

INCLUDES

1. NOT AVAILABLE 1

RINSE PUMP CONTROLLER

-----  
2. NOT AVAILABLE 6

INCLUDES

3. 0501549 2

#4-40 x 1/4 RH MC SCREW

4. NOT AVAILABLE 4

4-40 KEPS NUT

5. 0700371 1

SPACE SELECTION BUTTON

6. NOT AVAILABLE 1

PUMP CONTROLLER BOARD

7. 0505901 1

RINSE INJECTOR HARNESS

8. NOT AVAILABLE 1

(NOT SHOWN)

HEATSINK 1.8 x 1.8 x 1.3

200K POTENTIOMETER

-----  
9. 0501403 1

#10-32 x 3/4 RH SCREW - BRASS

10. 0501493 1

#10 LOCKWASHER EXTTOOTH-BRONZE

11. 0501472 2

#10L FLAT WASHER - BRASS

12. 0501533 1

#10-32 NUT - BRASS

13. 0505904 1

STRAIGHT 2 SC CABLE CLAMP

14. 0503592 1

EARTH LABEL (NOT SHOWN)

15. NOT AVAILABLE 1

INCREASE/DECREASE LABEL

(NOT SHOWN)

16. 0503301 1

CAUTION LABEL (NOT SHOWN)

17. 0505876 1

230V/17V TRANSFORMER VA

18. 0503580 2

#10-32 KEPS NUT

19. 0501413 6

#10-32 x 5/16 PAN HD MC SCREW

20. 0503635 1

FUSE HOLDER

21. NOT AVAILABLE 1

3/4 AMP FUSE

22. 0301160 1

INJECTOR BOX WELDED

23. 0301163 1

INJECTOR COVER

24. NOT AVAIALBLE 1

CONTROL KNOB

25. NOT AVAIALBLE 4

#4-40 x 1/2 RH MC SCREW

26. NOT AVAILABLE 1

1/4 x 1 1/4 LONG HEAT SHRINK

(NOT SHOWN)

27. 0503655 3

.250 FEMALE FASTON (NOT SHOWN)

28. NOT AVAILABLE 1

NYLON PIGTAIL (NOT SHOWN)

29. NOT AVAILABLE 1

RESISTOR

30. NOT AVAILABLE 1

RESISTOR CLIP

31. NOT AVAILABLE 1

FUSE AMPERAGE LABEL 3/4 AMP

(NOT SHOWN)

# RINSE INJECTOR BOX

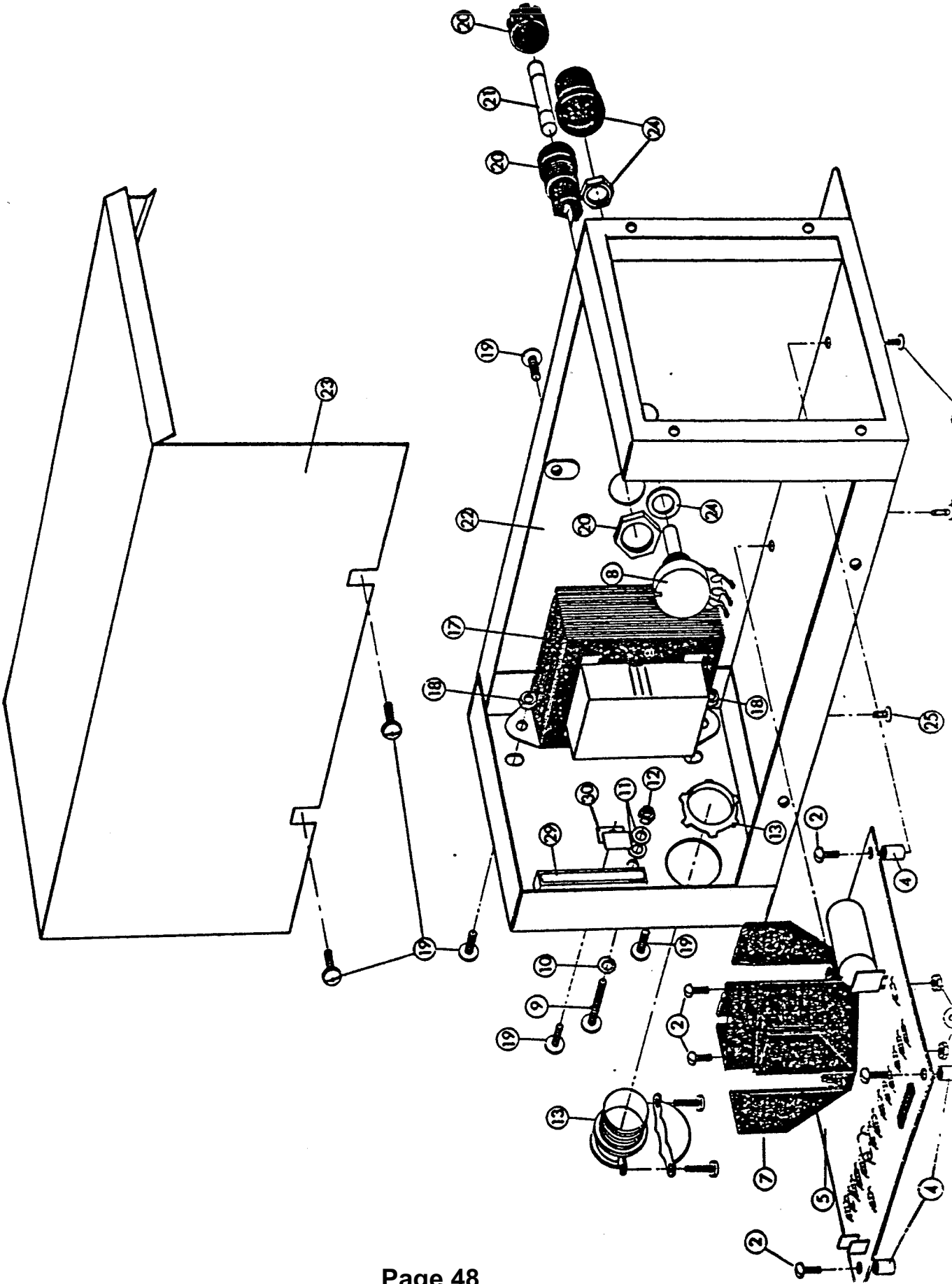


PLATE 954

PUMP RINSE INJECTOR

1.	0502700	1	MASTERFLEX PUMP RINSE INJECT.
-----			<u>INCLUDES</u>
2.	0502713	2	PUMP HEAD
4.	0502715	1	PUMP SPINDLE
5.	0502716	2	#8-32 x 1 FIL. HEAD
6.	0502717	2	THROUGH BOLT
-----			
7.	0502672	1	1/16 x 3/16 SILICONE HOSE 1.5' LONG
8.	NOT AVAILABLE	4	SPACER 3/4" LONG ALUMINUM
9.	NOT AVAILABLE	1	PUMP MOUNT PLATE
10.	0505141	2	PUMP TUBE FITTING (NOT SHOWN)
11.	0501282	1	RINSE INJECT.CORD (NOT SHOWN)
12.	0505976	1	MOTOR BUSHING
13.	0501398	1	#8-32 x 3/16 SOCK SET KN CONE
14.	0501352	1	PUMP MOTOR
15.	0501453	4	#8-32 x 5/16 RH HD LONG LOC
16.	0501463	4	#8-32 x 1 TH SLOT
17.	0505141	2	PUMP TUBE FITTING

# PUMP RINSE INJECTOR

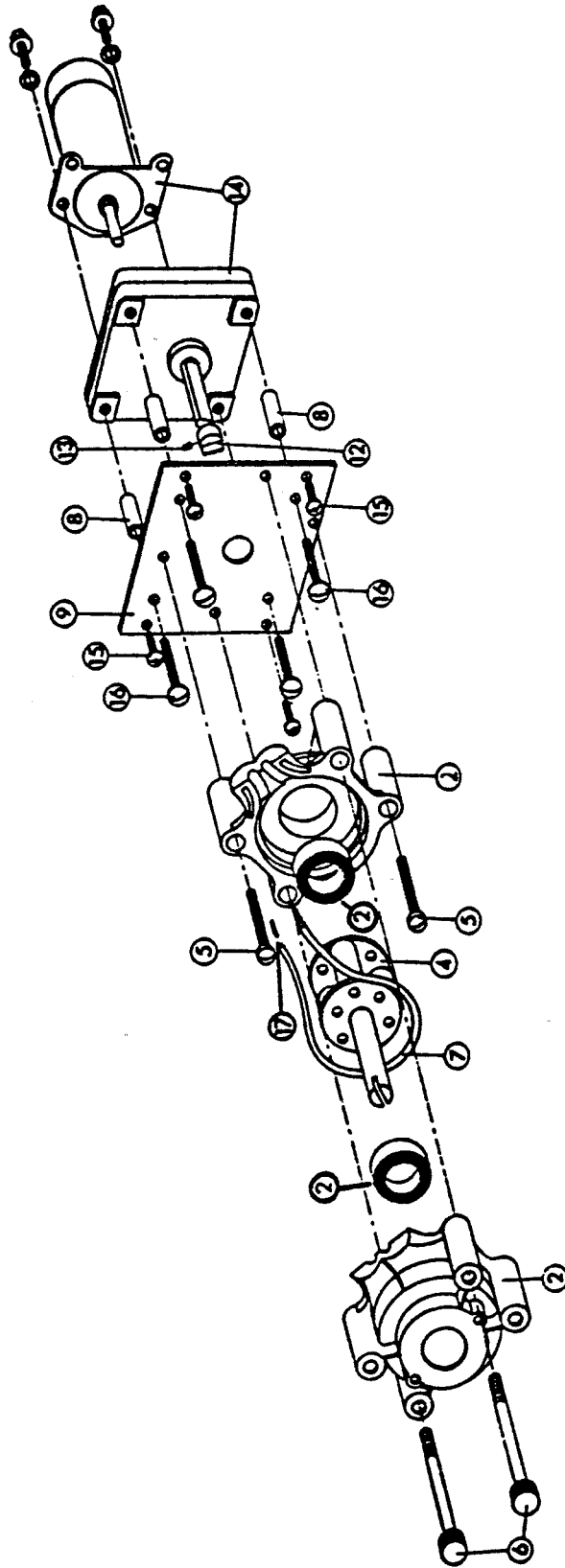
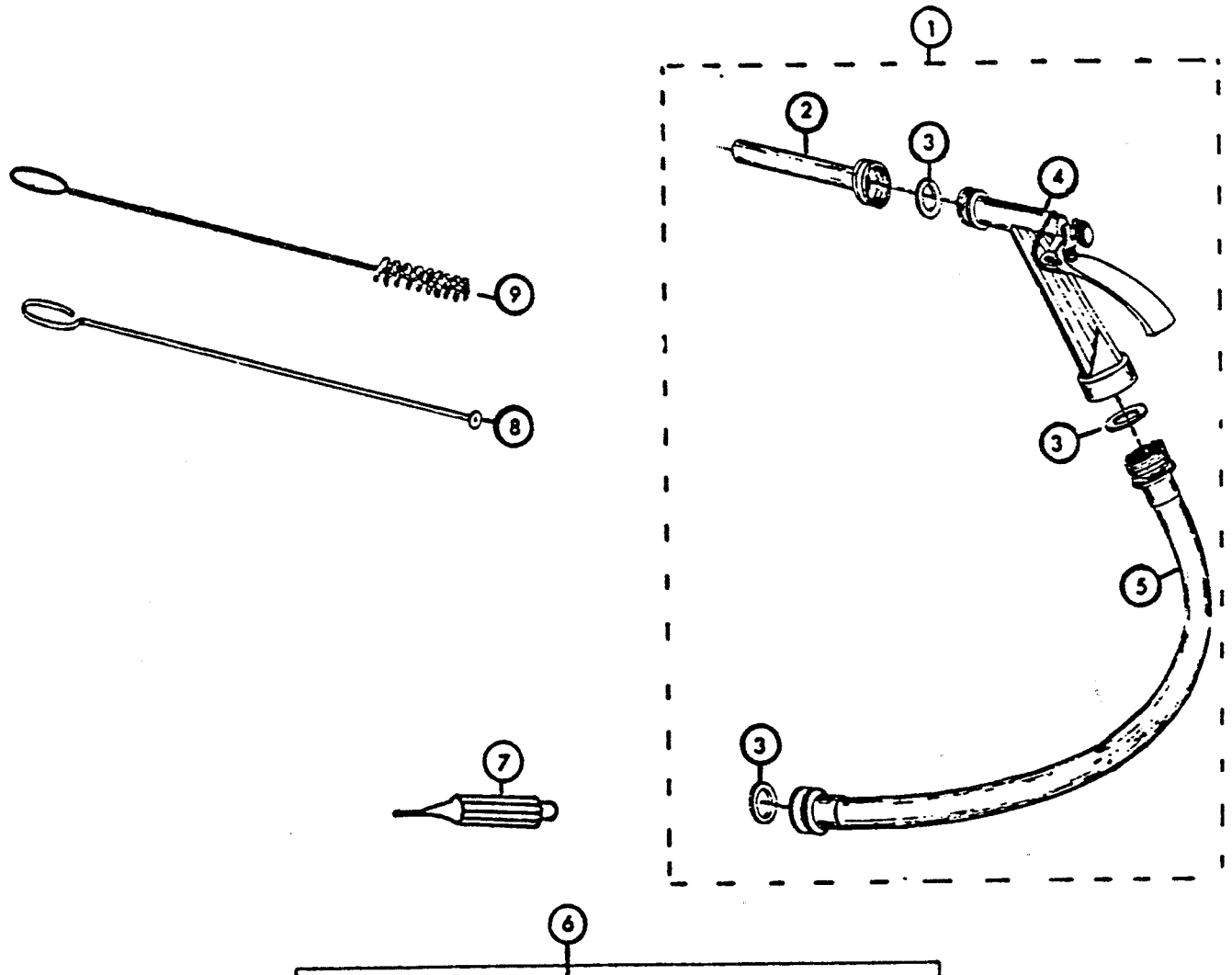


PLATE 689

ACCESSORIES - SW400/600M2

1.	0701956	1	WASH DOWN HOSE COMPLETE
----- <u>INCLUDES</u> -----			
2.	0303454	1	WASH DOWN HOSE NOZZLE
3.	0505320	3	1/2" GARDEN HOSE WASHER
4.	0502779	1	WATER NOZZLE
5.	0501833	1	1/2 x 10 FT. COUPLED HOSE
6.	0503700	1	WASH DOWN HOSE NOZZLE TAG
-----			
7.	0501633	1	JET REAMER C/W DRILL
8.	0703390	1	TUBE SCRAPER
9.	0501714	1	TUBE BRUSH
10.	0502672	1	1/16 x 3/16 NORPRENE HOSE 2.083' LONG

# OPTIONS & ACCESSORIES



**6**

**NOTICE**

This wash down hose is not NSF approved.

All plumbing connections must be in compliance with the local plumbing code.

VL741



