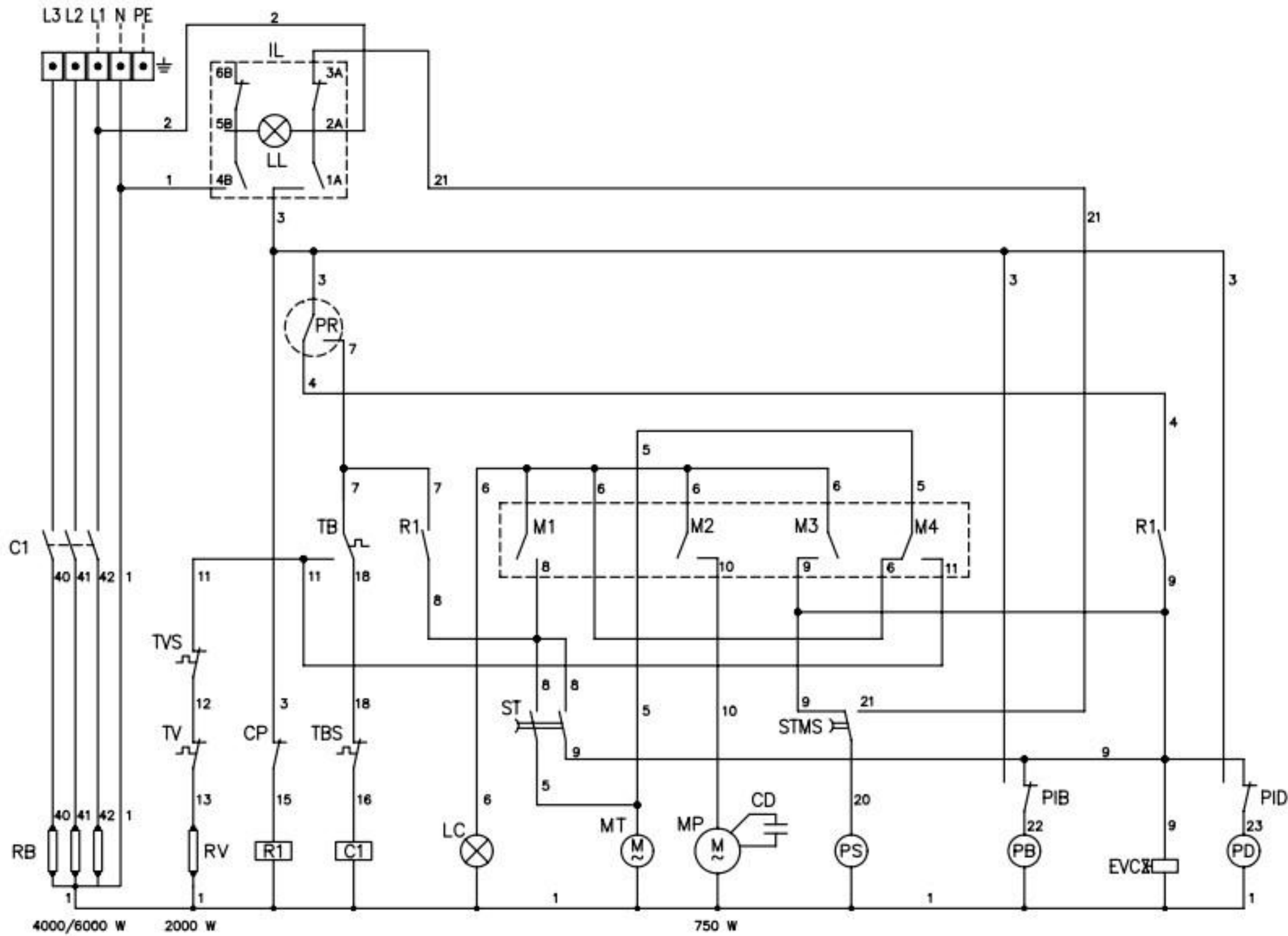


208/240V/1 ~ 60Hz



LEGEND	
IL	ON/OFF SWITCH
PR	PRESSURE FILL SWITCH
LL	POWER LIGHT
LC	CYCLE LIGHT
CP	DOOR SAFETY SWITCH
TB	BSTR. CONTROL THERMOSTAT
TBS	BSTR. HI-LIMIT THERMOSTAT
TV	WASH CONTROL THERMOSTAT
TVS	WASH HI-LIMIT THERMOSTAT
RB	BOOSTER TANK HEATER
RV	WASH TANK HEATER
EVC	HOT WATER SOLENOID VALVE
MT	TIMER MOTOR
MP	WASH PUMP
M1/4	TIMER CAM SWITCH
ST	CYCLE START SWITCH
R1	AUXILIARY RELAY
STMS	START MANUAL UNLOADING
C1	BOOSTER HEAT CONTACTOR
PD	DETERGENT PUMP
PS	DRAIN PUMP
CD	CAPACITOR 16 mf
PB	RINSE AID PUMP
PIB	RINSE AID SWITCH
PID	DETERGENT PUMP SWITCH

MODEL 301HT Electrical Schematic
Manual Revised July 19, 2006