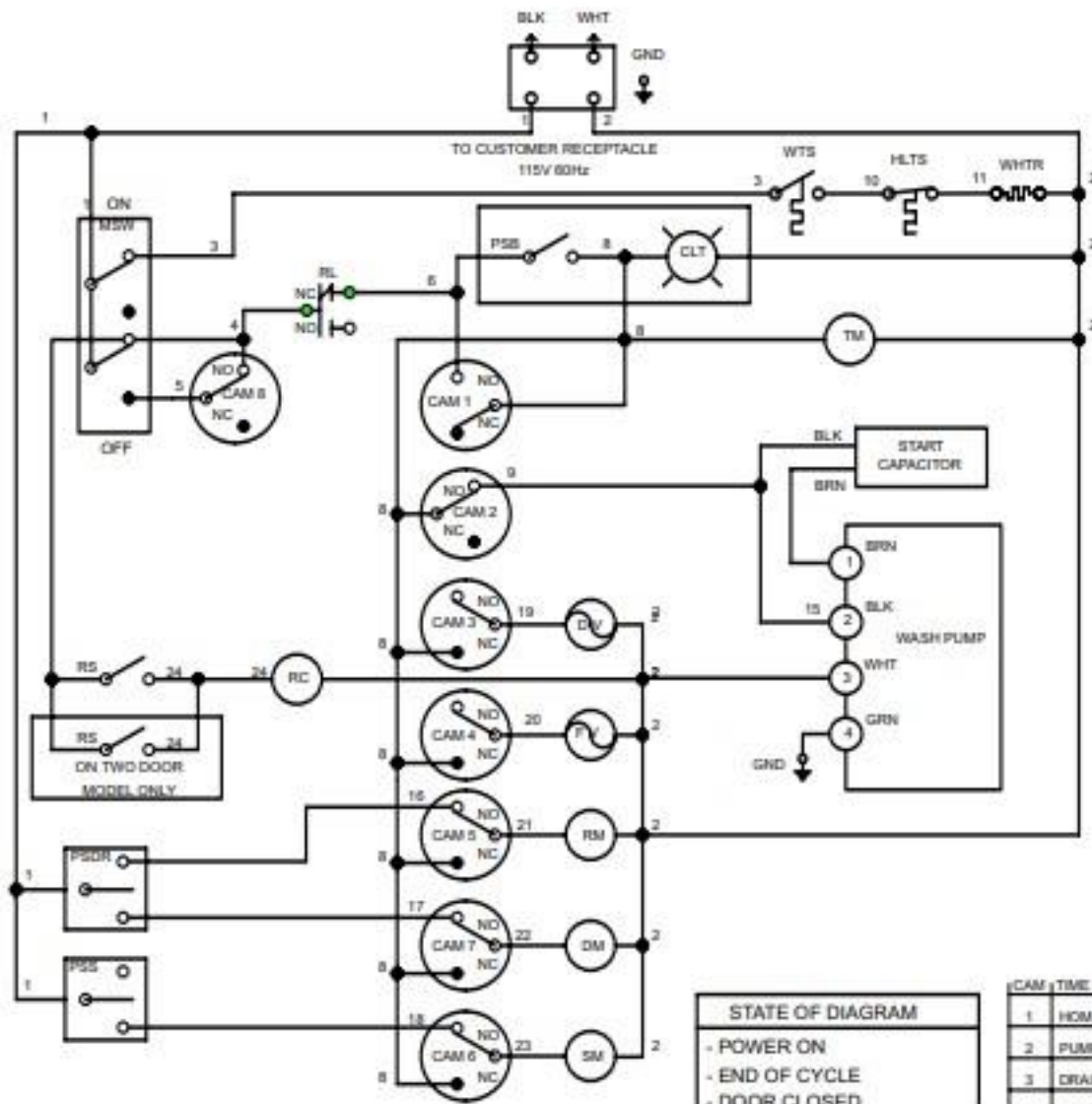


BLK	BLACK
BRN	BROWN
CAM	HOMING
CAM 2	PUMP MOTOR
CAM 3	DRAIN
CAM 4	FILL
CAM 5	RINSE
CAM 6	SANTIZER
CAM 7	DETERGENT
CAM 8	CYCLE
CLT	CYCLE ON LIGHT
DM	DETERGENT MOTOR
DP	DRAIN PUMP (IF USED)
DV	DRAIN VALVE
FV	FILL VALVE
GND	GROUND
GRN	GREEN
HTLS	HIGH LIMIT THERMOSTAT
MSW	MAIN SWITCH ON/OFF
PSB	PUSH START BUTTON
PSDR	PRIME SWITCH DET. RINSE
PSS	PRIME SWITCH SANTIZER
RC	RELAY COIL
RL	RELAY
RM	RINSE MOTOR
RS	REED SWITCH
SM	SANTIZER MOTOR
TM	TIMER MOTOR
WHT	WHITE
WHTR	WATER HEATER
WTS	WATER THERMOSTAT



**STATE OF DIAGRAM**  
 - POWER ON  
 - END OF CYCLE  
 - DOOR CLOSED

**TIMING CHART**

CAM	TIME IN SECS	0	10	20	30	40	50	60	70	80	90
1	HOMING										
2	PUMP MOTOR										
3	DRAIN VALVE										
4	FILL VALVE										
5	RINSE AID										
6	SANTIZER										
7	DETERGENT										
8	AUTO FILL-DRAIN										

E	DRWG STATE CHANGED FROM "POWER OFF" TO "POWER ON" & "BEGINNING OF CYCLE" TO "END OF CYCLE"	SKH	JUN 03-03
D	REVISED TO SHOW RL IN NC STATE	SKH	MAY 29-03
C	5188 REVISED TO SHOW RL IN PROPER STATE	DM	AUG 14-96
B	5140 CHANGED SIZE OF SCHEMATIC TO FIT DOOR PANEL	DM	JAN 04-96
A	5140 RELEASED TO PRODUCTION	DM	DEC 22-95
REV	ECN	DESCRIPTION	BY CH DATE

TOLERANCE	HOLE DIMENSIONS		ISSUED	HEAT	MODEL	<b>SCHEMATIC MD18</b>	
DECIMAL	A	F		ELEC	MD-18		
ANGLE	B	G	DR. CH. RTG.	 Simply Engineered Better		NUMBER/REV 0509232 E	
SCALE 1:1	C	H					
FORMING DIMENSIONS ARE FROM SKETCHES TO DIMENSION UNLESS OTHERWISE NOTED	D	I					
	E	J					