

# Champion®



International

## *Installation/Operation Manual with Service Replacement Parts*



IUH 351

### **Undercounter High Temperature Dishwasher**

Model:

**IUH 351**



Machine Serial No.



Issue Date: 6.15.15

**Manual P/N 0512961 rev. E**

For machines beginning with S/N W09019166 and above

3765 Champion Boulevard  
Winston-Salem, NC 27105  
336/661-1992 Fax: 336/661-1660  
Toll-free: 800/858-4477

2674 North Service Road, Jordan Station  
Ontario, Canada L0R 1S0  
905/562-4195 Fax: 905/562-4618  
Toll-free: 800/263-5798

Printed in the USA



For future reference, record your dishwasher information in the box below.

Model Number_____	Serial Number_____
Voltage_____Hertz_____	Phase_____
Service Agent _____	Tel:_____
Parts Distributor _____	Tel:_____

### National Service Department

#### In the U.S.A.

Toll-free: 800/ 858-4477

Tel: 336/ 661-1992

Fax: 336/ 661-1660

Email: [service@championindustries.com](mailto:service@championindustries.com)

#### **ATTENTION:**

The model no., serial no., voltage, Hz and phase are needed to identify your machine and to answer questions.

**The machine data plate is located on the lower front panel.**

Please have this information ready if you call for service assistance.

## Revision History

- The Revision History can contain part number changes, new instructions, or information that was not available at print time.
- We reserve the right to make changes to these instructions without notice and without incurring any liability by making the changes..
- Equipment owners may request a revised manual, at no charge, by calling 1 (800) 858-4477 in the USA.

<b>Revision Date</b>	<b>Revised Pages</b>	<b>Serial Number Effectivity</b>	<b>Revision Description</b>
8.31.09	All	W09019168	Released first edition
6.14.10	4	W09019168	Corrected drain type to gravity
1.21.11	15-37	W09019168	Reformatted parts list
5.5.11	30-31	W09019168	Changed Item 1 to 220VAC
6.9.11	34-35	W09019168	Changed door assembly to P/N <a href="#">0713141</a>
6.15.15	29	All	Corrected Item No. 24 Part Numver. Changed from 0512789 to <a href="#">0512879</a>

***This Page  
Intentionally  
Left Blank***

# Table of Contents

## Model IUH 351 Undercounter Dishwasher

<i>Revision History</i> .....	<i>i</i>
<i>Model Description</i> .....	<i>iv</i>
<b>Installation</b> .....	<b>1</b>
<i>Receiving</i> .....	<i>1</i>
<i>Electrical Connections</i> .....	<i>2</i>
<i>Water Connections</i> .....	<i>4</i>
<i>Drain Connections</i> .....	<i>5</i>
<b>Initial Start-up</b> .....	<b>6</b>
<b>Operation</b> .....	<b>7</b>
<i>Normal Wash Mode</i> .....	<i>7</i>
<i>Rinse Sentry Mode</i> .....	<i>8</i>
<b>Cleaning and Maintenance</b> .....	<b>9</b>
<i>Cleaning</i> .....	<i>9</i>
<i>Maintenance</i> .....	<i>12</i>
<i>Troubleshooting</i> .....	<i>13</i>
<b>Service Replacement Parts</b> .....	<b>15</b>
<b>Electrical Schematic</b> .....	<b>38</b>
<b>Timer Chart</b> .....	<b>39</b>

## **Model Description**

### **IUH 351**

High temperature hot water sanitizing dishwasher with built-in 40°F/22°C rise booster heater.  
208-240VAC/50/60/1

## Receiving

**NOTE:**

The installation of your dishwasher must be performed by qualified service personnel. Problems due to improper installation are not covered by the Warranty.

1. Inspect the outside of the dishwasher carton for signs of damage.
2. Remove the carton and inspect the dishwasher for damage.
3. Check for any accessories that may have shipped with your dishwasher.
4. Move the dishwasher near its permanent location.

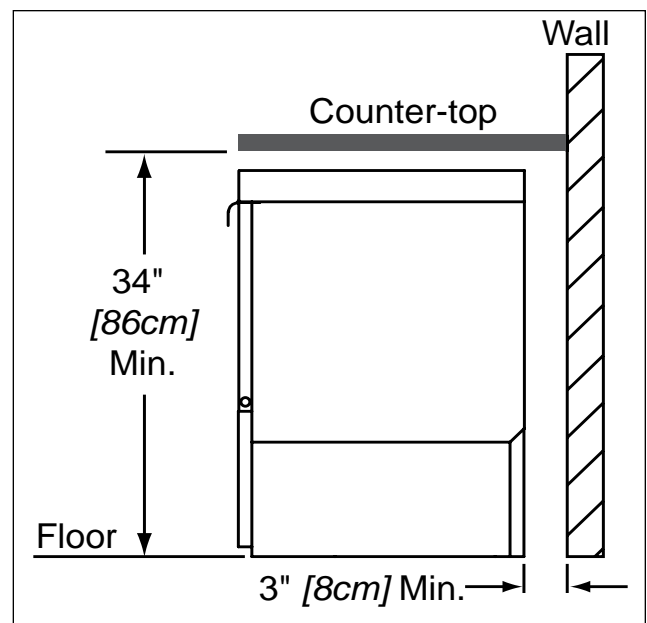
**CAUTION:**

Be careful when lifting the to prevent damage.

**NOTE:**

The installation must comply with local health codes.

5. Check the utility connections are the same.
6. The dishwasher can be installed as a free-standing or under a built-in counter-top. The typical counter-top height 34" [86cm].
7. Place the dishwasher in its permanent location.
8. The dishwasher has 4 adjustable feet for leveling.
9. Level the dishwasher front-to-back and side-to-side.



## Electrical Connections



**WARNING:**

Electrocution or serious injury may result when working on an energized circuit.

Disconnect power at the main breaker or service disconnect switch before working on the circuit.

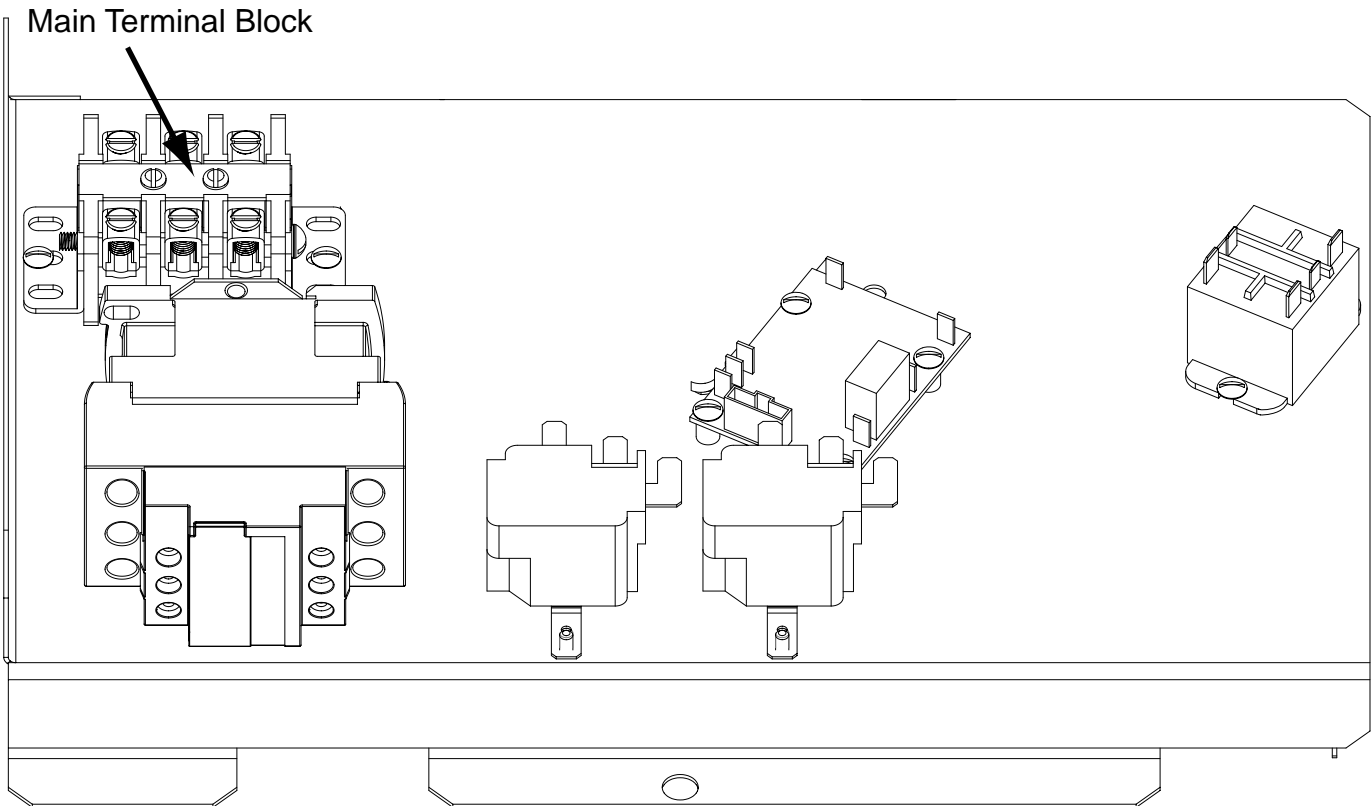
Lock-out and tag the breaker to indicate that work is being performed on the circuit.

### ATTENTION

A qualified electrician must connect the main incoming power to the dishwasher in accordance with all local codes and regulations .

**VERIFY THE CORRECT VOLTAGE IS SUPPLIED TO THE MACHINE  
THE CORRECT SUPPLY VOLTAGE IS/208-240VAC/50/60/1.**

*(See the diagram on next page.)*



*The Main Terminal Block (MTB) is located on the left-rear corner of the electrical panel.*

## Electrical Connections

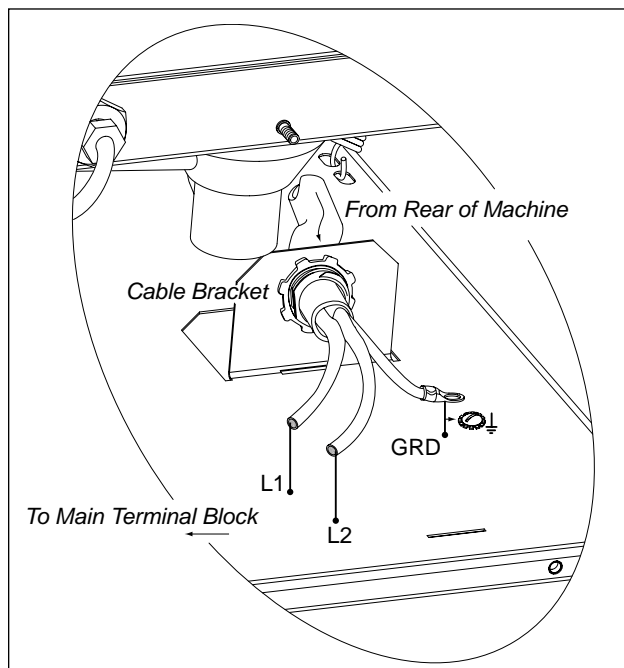
1. Refer to the connection diagram on the preceding page and the photo below:
2. Machines require a 2-wire plus ground supply which includes a current carrying neutral.
3. Power connections are made at the Main Terminal Block (MTB).
4. The MTB is located on the left-rear corner of the electrical panel behind the front access panel.  
(See the illustration on the previous page.)

### NOTE:

**Provide a 3 foot service loop in the power cable at the back of the dishwasher for service.**

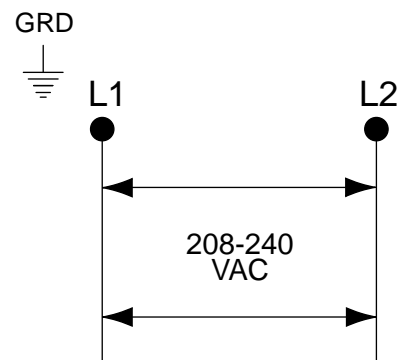
### To Connect Main Power to the Dishwasher:

1. Remove the lower front access panel of the dishwasher.
2. Locate the electrical mounting panel on the right-side of the machine.  
Remove the retaining nut at the top of the panel that holds the panel in place.
3. Lower the panel and pull it forward to gain access the MTB.
4. Feed the power cable through the cable hole located on the right side, as viewed from the front of the machine, into the interior of the machine.
5. Make sure the cable passes through the cable mounting bracket located near the front-center of the base and secure the cable with a cable connector.
6. Connect the ground wire to the base of the dishwasher with the ground screw provided next to the cable mounting bracket.
7. Feed the remaining cable wires to the Main Terminal Block and connect according to the connection diagram to the right.



Route the supply cable through the cable bracket.

### SINGLE PHASE POWER CONNECTION 208-240VAC 50/60/1



### HOW TO CONNECT POWER

1. Check the data plate on the front of the dishwasher for the voltage of the machine.
2. Remove the lower-front access panel.
3. Lower the electrical component bracket.
4. Feed the power cable from the rear of the dishwasher to the center of the machine and through the cable bracket.
5. Connect the ground wire to the base of the dishwasher using the ground screw located near the bracket.
6. Feed the power leads to the terminal block.
7. Connect L1, L2 and ground.
8. Main Power connections are complete.

## *Installation*

### *Water Connections*

#### **NOTE**

Plumbing connections must comply with local plumbing and sanitary codes.

#### **IMPORTANT**

Make sure that the flexible water supply and drain hoses are not kinked.

1. All models have a 6 ft. flexible hot water fill hose with a 3/4" NPS connector.
2. A 1/2" or larger main incoming supply line should be installed to the dishwasher.
3. A 1/2" or larger shut-off valve should be installed in the water supply line as close to the dishwasher as possible for service.
4. The pressure regulating valve, PRV, **must be installed** after the shut-off service valve if the incoming flow pressure exceeds 20-22 psi.
5. The hot water supply must provide a minimum of 140°F/60°C, measured at the dishwasher for the 40°F/ 22°C rise booster.
6. A water hardness of 3 grains/U.S. gal[51.3 mg/L] or less is recommended.

### *Drain Connections*

1. The dishwasher has a 6 ft. flexible hot water fill hose with a 3/4" NPS connector.
2. The machine is a gravity drain.
3. The maximum drain flow is 8 U.S. gpm /30 LPM.
4. Make sure the drain hose does not kink. Kinks will prevent the dishwasher from draining completely causing water to flow out the front door.

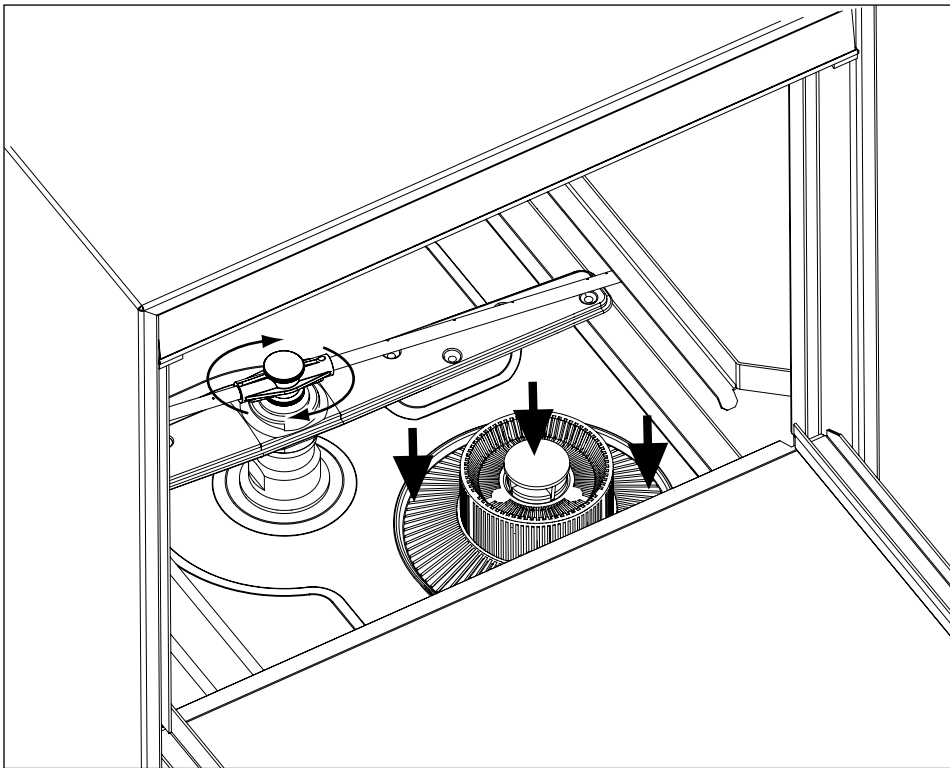
***This Page  
Intentionally  
Left Blank***

## *Check List*

1. Remove any protective film from dishwasher. Check the interior for foreign material.
2. Make sure that the dishwasher is permanently located.
3. Make sure that all utility connections are complete.
4. Make sure that the flexible drain hose and the hot water fill hose are not kinked.
5. Make sure that the sump filter is in place.
6. Make sure that the overflow tube is installed and firmly seated in the sump.
7. Make sure that the spray arms are in place and that they spin freely.
8. Fully close the dishwasher door.
9. Turn hot water supply on and check for leaks in the main water supply piping connected to the dishwasher.

### **IMPORTANT**

**During the initial fill, adjust the PRV to ensure that the flowing pressure of the incoming water is set to 20-22 PSI.**



*Install the scrap screen, overflow tube, and spray arms.  
Make sure the spray arms turn freely.*

## Normal Wash Mode

Follow the instructions below to operate the dishwasher in a Normal Wash Mode. A Rinse Sentry feature holds the dishwasher in a wash mode if the booster heater temperature is below 180°F/82°C.

1. Turn the main power on at the main circuit breaker.
2. Install the sump filter, overflow tube and spray arms.
3. Make sure the flexible drain hose and the flexible fill hose are not kinked, then turn the water supply on.
4. Close the dishwasher front door.
5. Push the dishwasher Power Switch to the ON position. The power switch will illuminate and the machine will fill with water.
6. Wait 15-minutes for dishwasher to reach a minimum of 150°F/66°C.
7. At the beginning of the day, run 2 empty cycles before checking the final rinse operating temperature. The first cycle will take longer to reach the proper temperature.

**! ATTENTION !**

If the wash temperature is low for an extended period of time, drain the machine and refill with fresh water. Run two empty cycles and then check that the wash tank gauge indicates 150°F/ 66°C.

8. Load soiled wares into the dish rack. Place plates, glasses, cups and bowls in a peg rack. Place utensils in a single layer in a flat-bottom rack. Place pots and pans in a flat-bottom rack. Do not overload the dish racks.
9. Slide 1 dish rack into the wash compartment making sure that wares do not interfere with the rotating spray arms. Do not wash more than 1 dish rack at a time.
10. Close the front door fully, then press and hold the START BUTTON for 1-second. The green in-cycle light will illuminate and the wash cycle will begin. The wash cycle time runs for approximately 1-1/2 minutes. *(continued on next page)*

### *Normal Wash Mode (continued)*

11. Opening the door when the dishwasher is in-cycle will stop the dishwasher. The cycle will resume automatically when the dishwasher door is closed fully.
12. The final rinse cycle begins at the end of the wash cycle and runs for approximately 15-seconds
13. At the end of the rinse cycle, the in-cycle light will go out. Open the door and remove the clean rack of wares. Repeat steps 8-12 for additional dish racks.
14. Refer to the Cleaning Instructions, "*After Each Meal Period or every 8 Hours of Operation*", on page 9 for the procedures to drain and clean the dishwasher.

### *Rinse Sentry Mode*

The final rinse water temperature must be a minimum of 180°F/82°C during the final rinse cycle to ensure that all wares are sanitized. If for any reason, the hot water temperature in the booster tank cannot provide this temperature, the dishwasher will enter a Rinse Sentry Mode of operation and extend the cycle time.

The Rinse Sentry changes the Normal Operation Mode as described below:

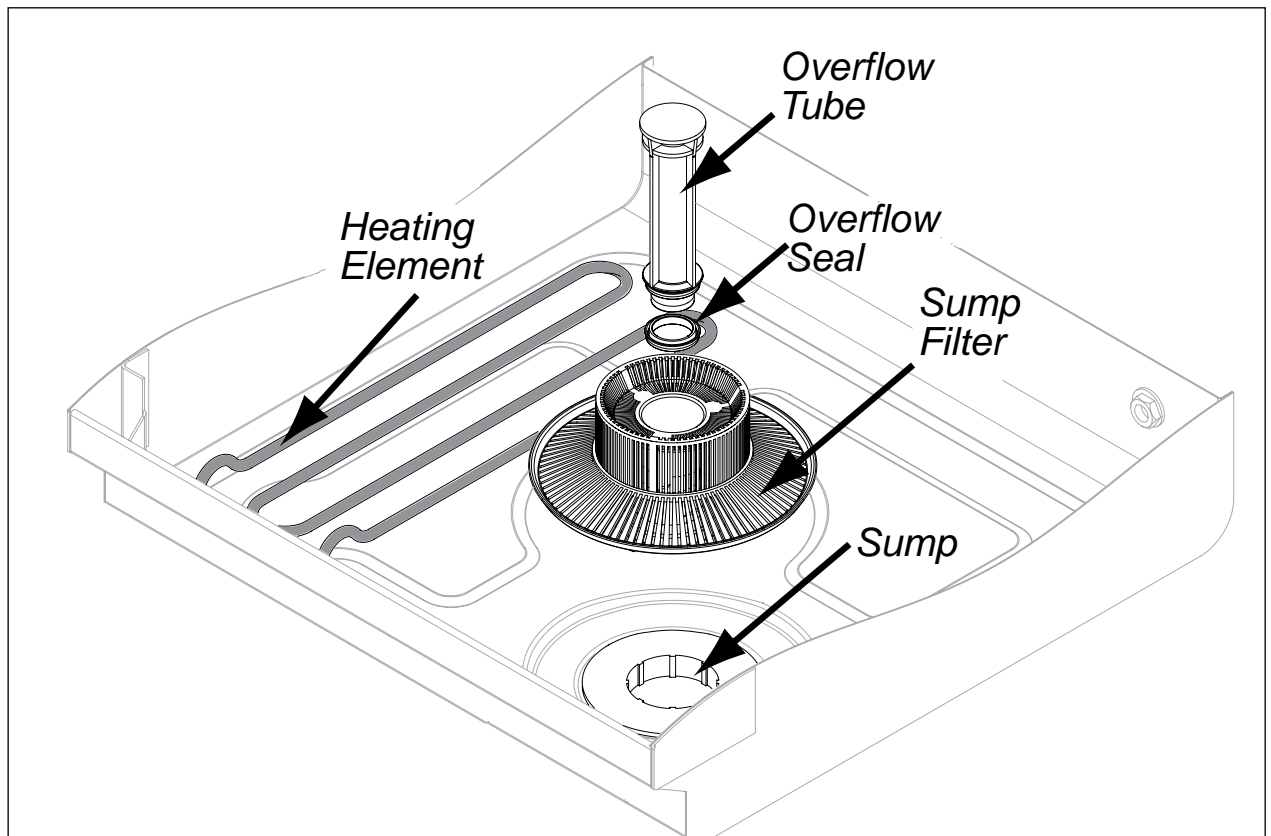
1. The Rinse Sentry constantly monitors the water temperature inside final rinse booster.
2. If the temperature inside the booster heater falls below 180°F/82°C then the Rinse Sentry will extend the wash cycle time until the booster heater water temperature reaches the proper temperature.
3. The in-cycle light will remain illuminated during the Rinse Sentry Mode.
4. An extraordinarily long wash cycle may indicate a low incoming water temperature or a problem with the booster heater operation.

**DO NOT REMOVE WARES UNTIL THE FINAL RINSE CYCLE HAS  
SANITIZED THE WARES AND THE GREEN CYCLE LIGHT GOES OUT.**

## Cleaning

After Each Meal Period or every 8 Hours of Operation.

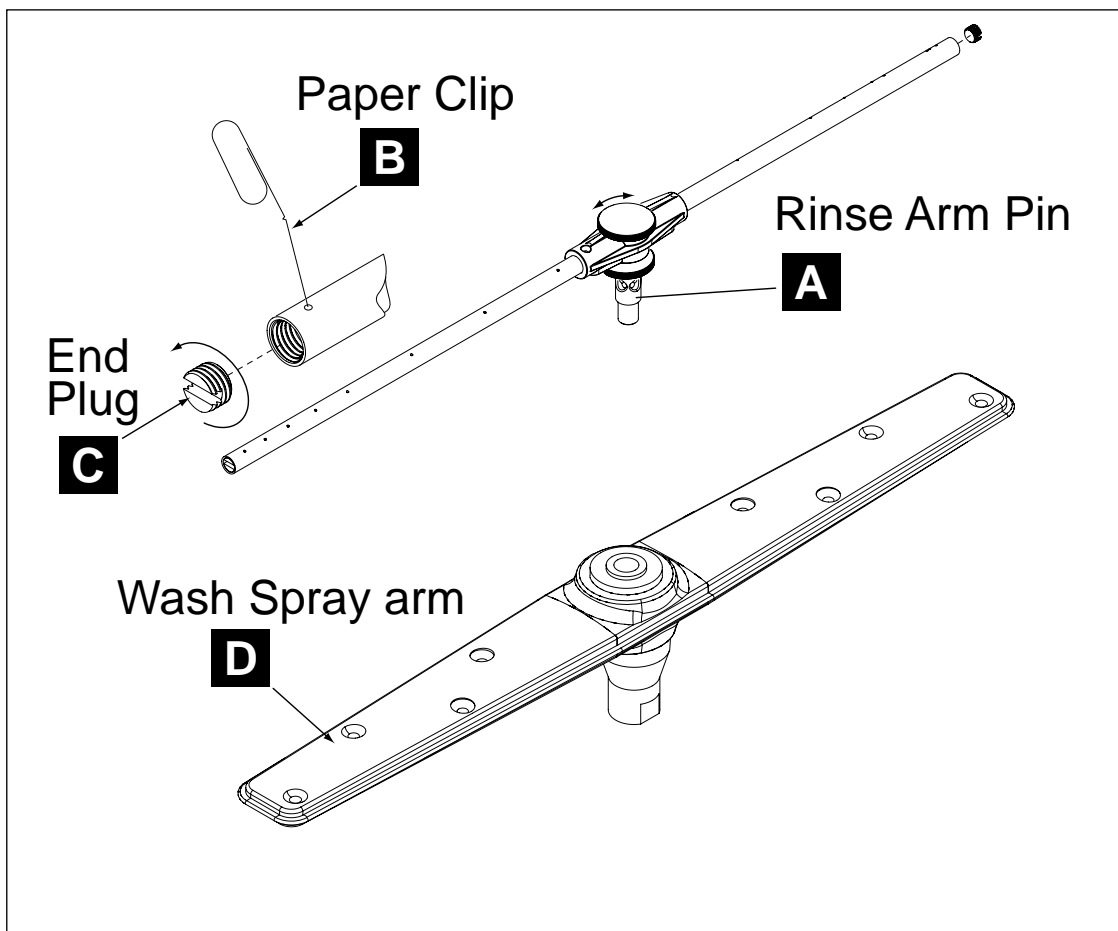
1. Press the lighted power switch to the OFF position. The power switch light will go out.
2. Open the door and remove the overflow tube.
3. Inspect and clean the overflow tube rubber seal
4. Remove the sump filter carefully to keep the soil or waste particles from falling into the sump.
5. Clean the sump filter by rinsing with clean water.  
Be sure to back-flush the filter.  
Do not strike the filter against solid objects.
6. Check the sump for foreign material and clean as required.
7. Replace sump filter and the overflow tube.
8. Make sure that spray arms turn freely.
9. Close the door and turn the ON/OFF switch to ON and return to normal operation mode.



## Cleaning

### At the End of the Day

1. Remove the upper and lower rinse and wash spray arms. The spray arms are interchangeable.
2. Unscrew the rinse arm pin (A). Remove the rinse arm assemblies
3. Clean the final rinse arm nozzles using a small paper clip (B).
4. Remove the rinse arm end plugs (C) *if necessary*, and flush the rinse arm with clean water.
5. Re-install the rinse arm end plugs if they were removed.
6. Remove the wash spray arms and flush with clean water.
7. DO NOT USE STEEL WOOL TO CLEAN THE INTERIOR OF THE MACHINE.
8. Contact the chemical supplier for de-liming if required (see next page).
9. Wipe the interior and exterior of the machine with a soft cloth and a mild detergent. DO NOT HOSE THE EXTERIOR OF THE MACHINE WITH WATER.
10. Reassemble the dishwasher and leave the door open to allow overnight drying.



## De-liming

Minerals accumulate on the interior surfaces of the dishwasher. The deposits have a white haze and, in cases of heavy accumulation, may appear as a granular solid. The generic name for mineral deposits is lime. The removal of lime deposits is called de-liming. Your dishwasher should be de-limed regularly; how often will depend on the mineral content of your water.

Inspect your machine interior for lime deposits. If deliming is required, a de-liming agent should be used for best results in accordance with the chemical supplier's instructions.

**DANGER:**

Death or serious injury may result when de-liming solution is mixed with sodium hypochlorite (*chlorine bleach*) sanitizing agent. Mixing may cause hazardous gases to form.

De-liming solution and other acids must never be mixed with chlorine, iodine, bromine, or fluorine.

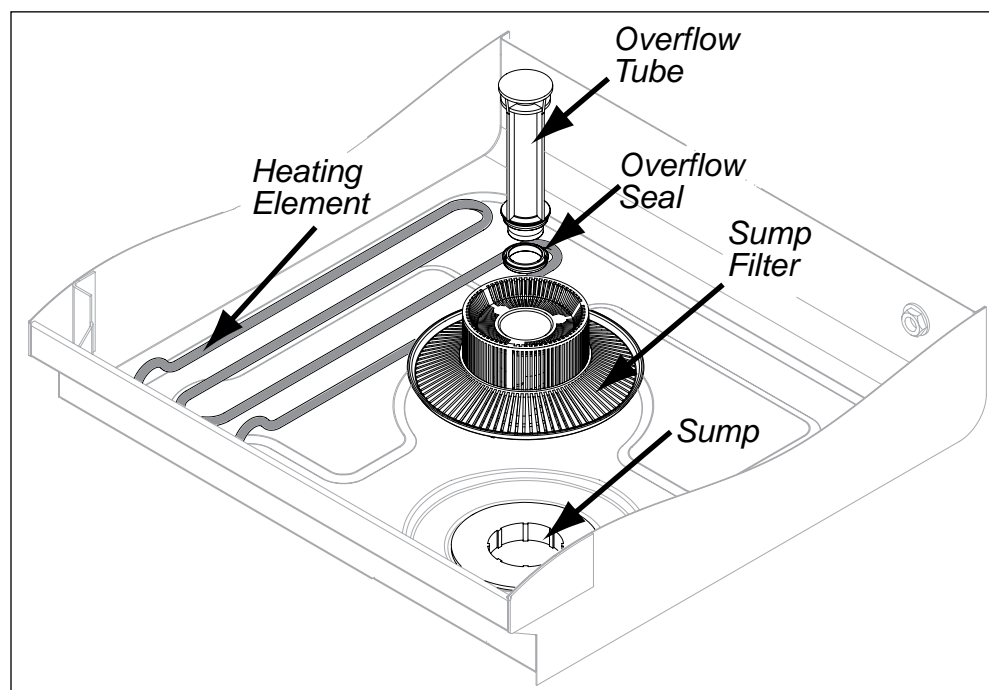
**CAUTION:**

Skin contact with de-liming solutions can cause severe irritation and possible chemical burns. Always wear protective clothing and goggles when handling chemicals.

**ATTENTION:**

Contact your chemical supplier for specific safety procedures and instructions for the use of the de-liming solution supplied for the dishwasher.

De-liming solution or other chemicals are not supplied by the dishwasher manufacturer.



## *Maintenance*

Follow the maintenance schedules below to keep the dishwasher operating most efficiently.

### Daily Maintenance

1. Check all of the wash arm and rinse arm spray jets and clean as necessary.
2. Make sure that the water supply is on and that the drain is not clogged.
3. Make sure that dish racks are in good condition.
4. Follow the cleaning procedures given above.

### Weekly Maintenance

1. Perform Steps 1-4 in the Daily Maintenance.
2. Inspect water lines for leaks.
3. Check for water leaks underneath the dishwasher.
4. Make sure the flexible water fill and drain hoses are not kinked.
5. Make sure that the dishwasher is level.
6. Clean accumulated lime deposits from the wash tank heating element.
7. Inspect the scrap screen and replace it if damaged.
8. Check the spray arms and replace or repair if damaged.

## Troubleshooting

Follow the troubleshooting guide below in the event that your dishwasher does not operate as expected. Perform the basic checks below before calling an authorized service agent:

1. Make sure that the main water supply is turned on.
2. Make sure that the main power is turned on.
3. Make sure that the flexible water fill and drain hoses are not kinked.

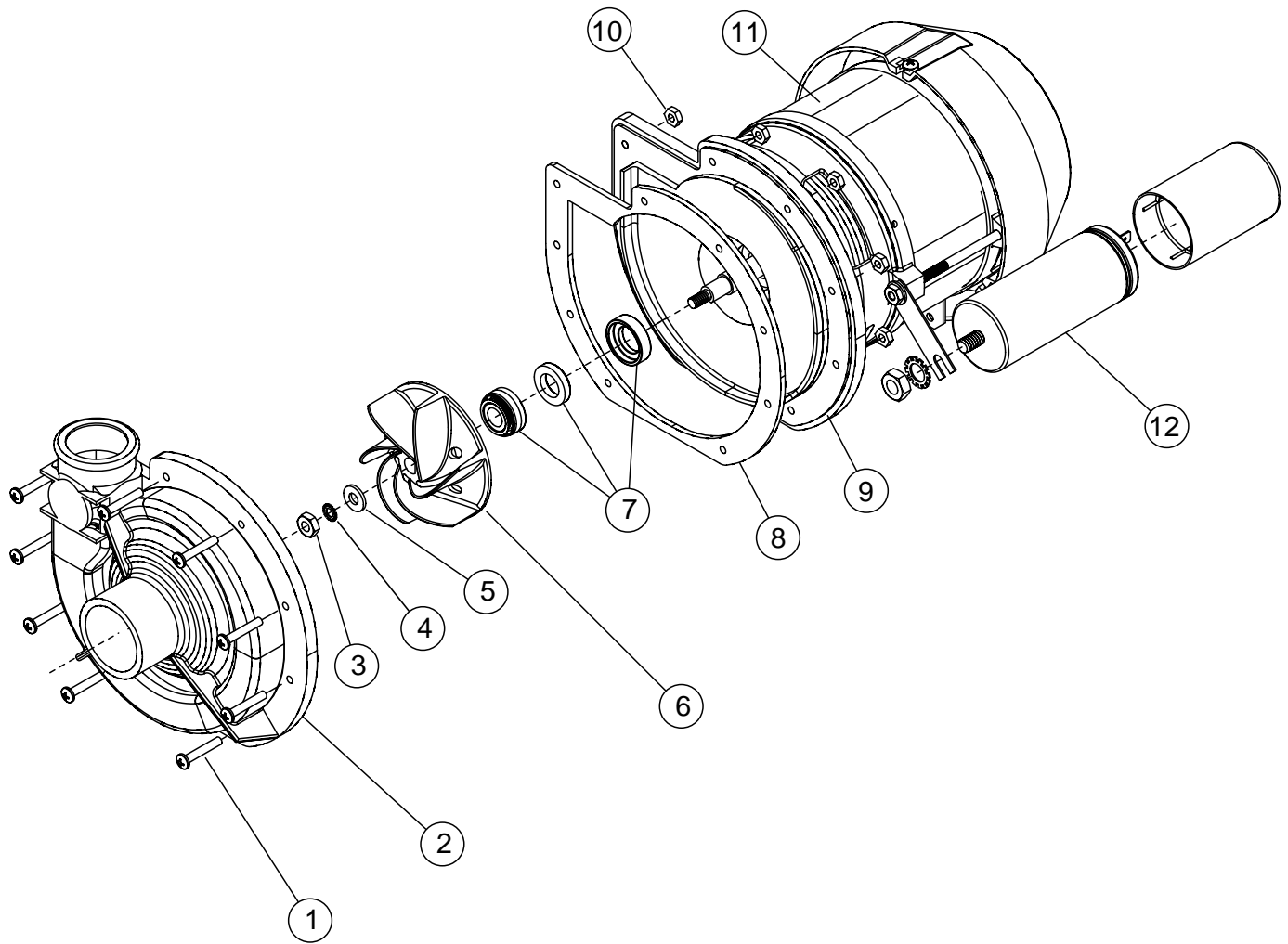
Condition	Cause	Solution
Dishwasher will not run.	Door not closed. Main power OFF. Dishwasher OFF.	Close door completely. Check breaker on panel. Turn dishwasher ON.
Low or no water.	Main water supply off. PRV setting incorrect Solenoid strainer clogged. Solenoid valve defective.	Open supply valve. Adjust the PRV setting Clean strainer. Contact Service Agent.
Chemicals won't feed into dishwasher.	Chemical supply low. Pick-up tube clogged Supply tubing damaged. Supply tubing kinked.	Refill chemical container. Clean/replace tube. Replace tubing. Straighten tubing.
Poor wash results.	Wares incorrectly loaded. in dishrack.  Clogged sump filter. Clogged spray arms.  Detergent injector not feeding.  Thermostat defective.  Detergent motor defective.  Water temperature low.	Reposition wares or reduce amount of wares.  Clean sump filter. Clean spray arms.  Replace squeeze tube or clean tubing and pick-up tube.  Contact Service Agent.  Contact Service Agent  Drain and refill wash tank and run 2 empty cycles. Contact service agent if problem persists.
Dishwasher stays in wash cycle.	Safe-T-Temp extends wash mode to allow final rinse water booster temperature to reach 180°F/82°C.  Dishwasher is operating in the Extended Wash Mode.	Contact Service Agent because booster thermostat is defective.  Press the Extended Wash button 1 time. The Extended Wash Indicator light will go out, the wash cycle will resume where it left off and perform a final rinse cycle.

***This Page  
Intentionally  
Left Blank***

# Service Replacement Parts

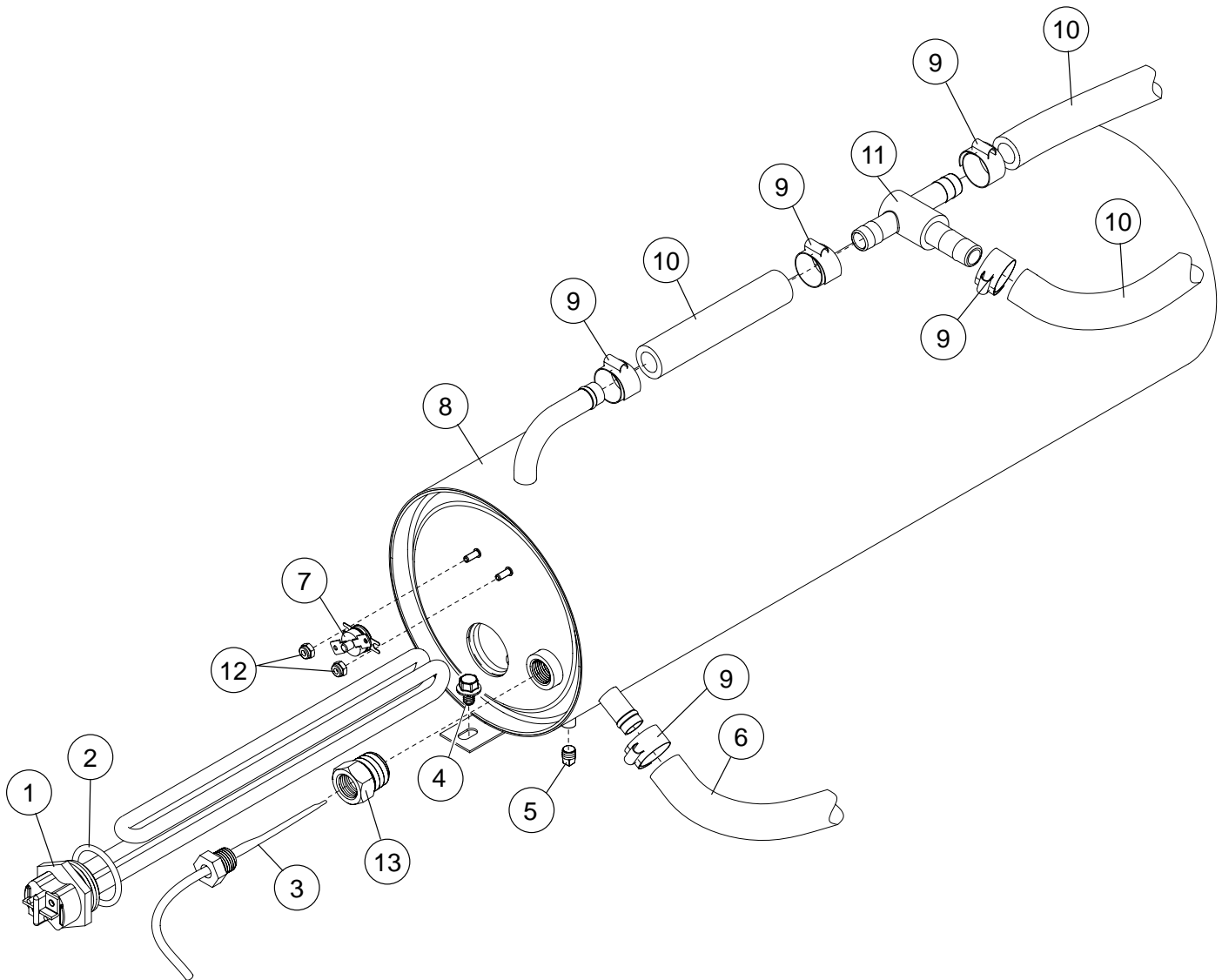
<b>Illustrations</b>	<b>Page</b>
Wash Pump/Motor Assembly .....	16
Booster Assembly.....	18
Electrical Panel and Timer Assembly .....	20
Control Panel Assembly .....	22
Wash and Rinse Spray Arm Assemblies .....	24
Lower Hose Assembly .....	26
Wash Tank Heater and Drain Assemblies .....	28
Fill Solenoid Valve Assembly.....	30
Panel Assembly.....	32
Door Assembly .....	34
Dish racks, Line Strainer, Pressure Regulating Valve (PRV) .....	36
Electrical Schematic .....	38
Timer Chart.....	49

Wash Pump/Motor Assembly



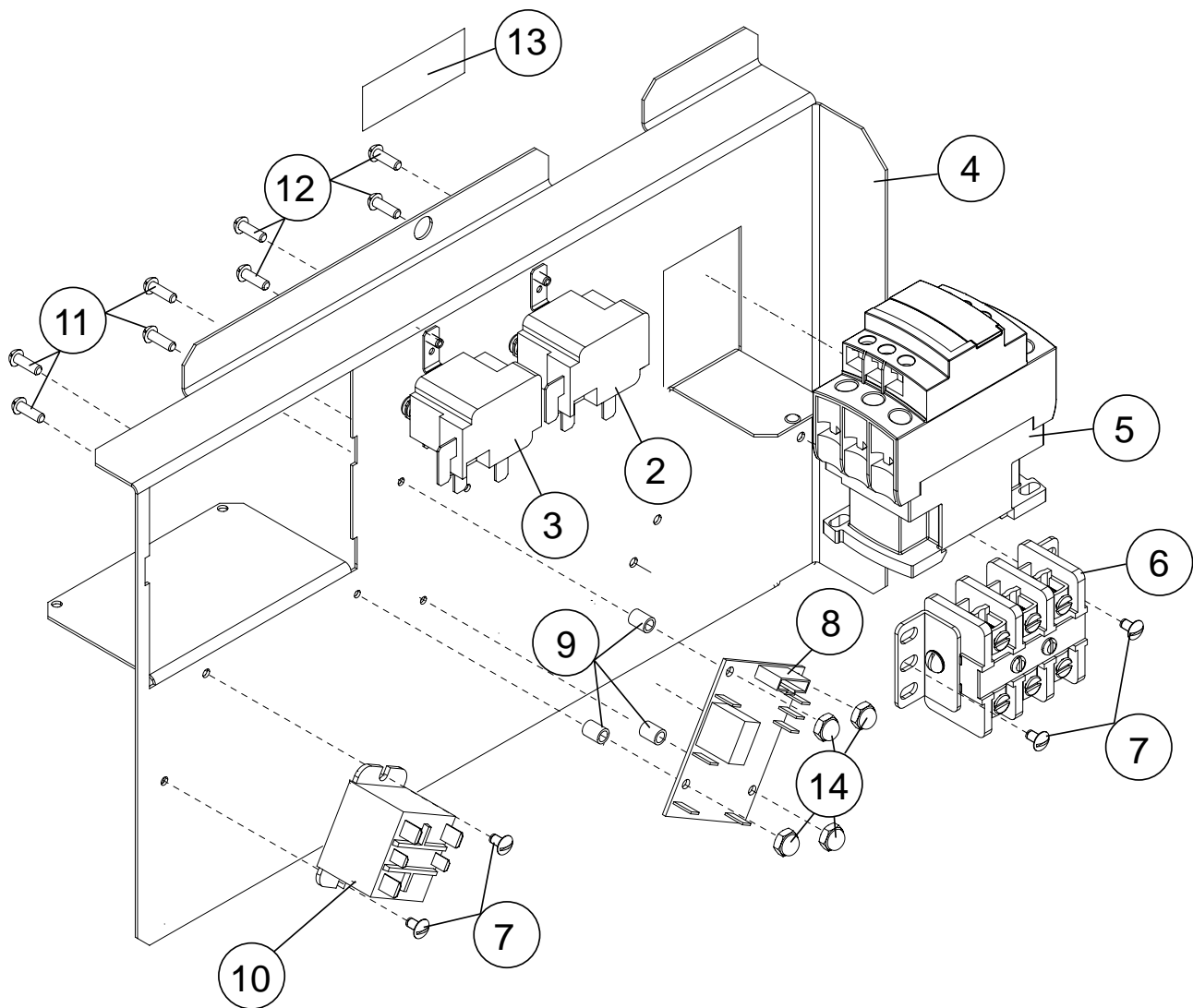
<b>Item No.</b>	<b>Part No.</b>	<b>Description</b>	<b>Qty.</b>
1	0512340	SCREW, M4, PHIL, PAN HD.	9
2	0512341	IMPELLER HOUSING COVER	1
3	114144	NUT, M6 (left-hand thread)	1
4	0501501	WASHER, LOCK, 1/4"	1
5	0501478	WASHER, PLAIN, 17/64"	1
6	0512345	IMPELLER	1
7	114139	SEAL	1
8	110285	GASKET, PUMP	
9	114137	BACKPLATE, PUMP	1
10	107337	NUT, M4	9
11	0512101-1	PUMP/MOTOR ASSEMBLY COMPLETE 220VAC 50/60/1	1
12	H29043	CAPACITOR 16 $\mu$ F	1

Booster Assembly



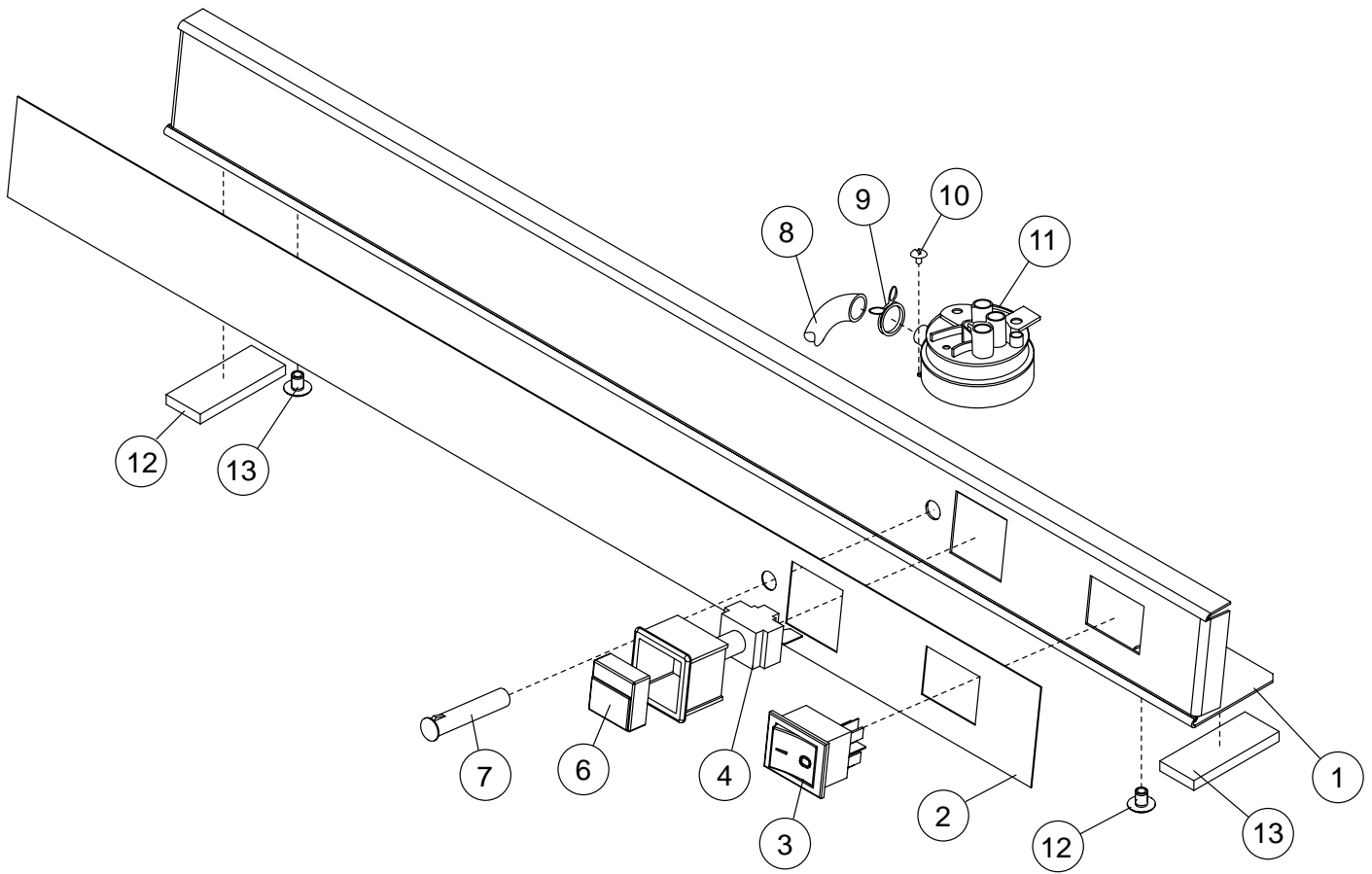
Item No.	Part No.	Description	Qty.
1	0512847	HEATER, BOOSTER 4kW, 208V, 40°F RISE (Does not include gasket)	1
2	0512928	GASKET, BOOSTER HEATER	1
3	0512108	THERMOSTAT, CONTROL 195°F	1
4	0512185	BOLT, HEX FLANGE, 1/4-20 X 3/8" SST	1
5	0508817	PLUG, 1/8" SST	1
6	0512926	HOSE, BOOSTER FILL	1
7	110562	THERMOSTAT, HI-LIMIT FIXED SNAP 240°F	1
8	0712835	TANK, BOOSTER WELDMENT	1
9	0503679	CLAMP, GEAR-TYPE, 7/16" SST	5
10	107417	HOSE, 1/2" ID	A/R
11	0512968	TEE	1
12	108954	NUT, GRIP 6-32 W/NYLON INSERT	2
13	0512920	FITTING, BOOSTER THERMOSTAT	1

Electrical Panel and Timer Assembly



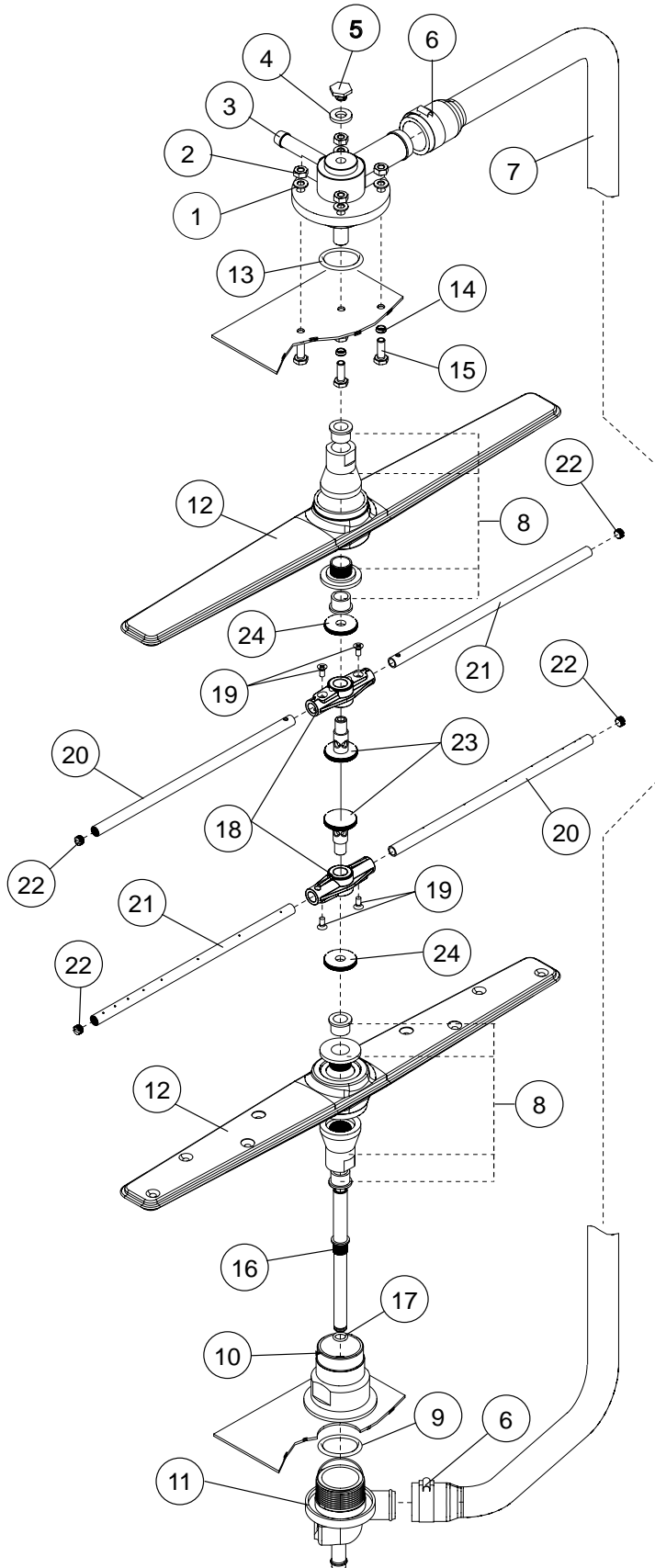
<b>Item No.</b>	<b>Part No.</b>	<b>Description</b>	<b>Qty.</b>
1	0507323	THERMOSTAT, WASH TANK	1
3	0512108	THERMOSTAT, BOOSTER 195°F	1
4	0312909	PANEL, CONTROL	1
5	C120444	CONTACTOR, 25/40A, 3P, 220V COIL	1
6	0504951	BLOCK, TERMINAL	1
7	0503745	SCREW, RH 8-32 X 3/16" SLOTTED SST	4
8	0512969	TIMER	1
9	CM0082006	STAND-OFF, CIRCUIT BD. NYLON	4
10	0509428-1	RELAY, 15 AMP	1
11	0503620	SCREW, RH, 4-40 X 3/16" SLOTTED SST	4
12	0501450	SCREW, NIBS RH 6-32 X 3/16" PHIL. SST	4
13	0512934	LABEL, WASH-RINSE TEMPERATURE	1
14	CM0082007	CAP, STAND-OFF, NYLON	4

Control Panel Assembly



Item No.	Part No.	Description	Qty.
1	0312959	PANEL, FACIA, IUH 351	1
2	0512958	LABEL, FACIA, IUH-351	1
3	0513075	SWITCH, ROCKER DPDT 250V NEON IUH 351	1
4	0512216	CONTACT, MOMENTARY, N.O.	2
5	0512217	HOUSING, SWITCH	2
6	0512218	BUTTON, SWITCH (GREEN)	1
7	0512232	LIGHT, INDICATOR LED, 2VDC (GREEN)	1
8	H160121	HOSE, 4.1 ft / 125cm	1
9	H450134	CLIP, HOSE	2
10	109835	SCREW, #8 1/2" PAN PHIL. T/A SELF-TAPPING	1
11	H31171	SWITCH, PRESSURE	1
12	0501408	SCREW, TRUSS SLOT., 8-32 X 1/4" SST	2
13	0512320	GASKET, STEAM	2

Wash and Rinse Spray Arm Assemblies

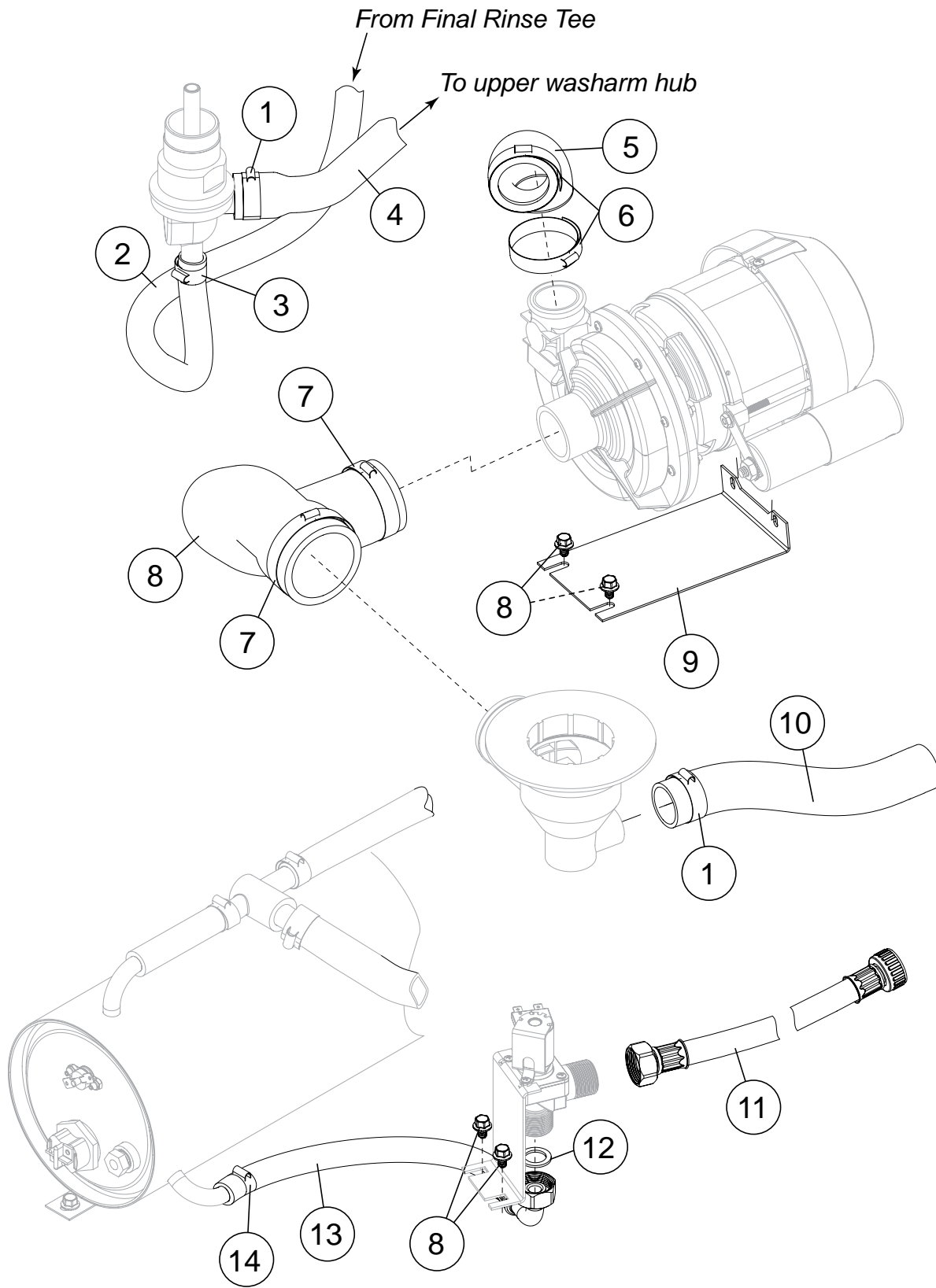


Item No.	Part No.	Description	Qty.
1	0501478	WASHER, 17/64 id X 9/16" OD SST	4
2	107967	NUT, HEX 1/40-20 NYLON INSERT SST	4
3	H35509	HUB, UPPER WASH ARM	1
4	107873	WASHER, PACKING	1
5	110215	SCREW, RETAINING	1
6	0502571	CLAMP, HOSE GEAR 1-1/2" SST	2
7	0512120	HOSE, UPPER WASH ARM	1
8*	0712749	BEARING ASSEMBLY	2
9	0512133	O-RING, 2-1/8" OD X 1-3/4" ID X 3/16"	1
10	0512066	HUB, LOWER WASH ARM	1
11	0512918	MANIFOLD, LOWER FWR	1
12	H420548	WASH ARM ASSEMBLY <i>(Includes Item 8)</i>	2
13	0512133	O-RING, 2-1/8" OD X 1-3/4" ID X 3/16"	1
14	0501481	WASHER, NYLITE	4
15	100738	BOLT, 1/4-20 X 1" SST	4
16	0512124	SHAFT, LOWER	1
17	0512239	O-RING	1
18	0312840	HUB, RINSE ARM, MOLDED	2
19	0501408	SCREW, TRUSS SLOTTED 8-32 X 1/4" SST	4
20	0512841	ARM, RIGHT-HAND RINSE (7 JETS)	2
21	0512842	ARM, LEFT-HAND RINSE (8 JETS)	2
22	0512843	CAP, RINSE ARM, 5/16-24	4
23	H36275	SPINDLE, RINSE ARM	2
24	H34998	SPACER, NUT	2
---	0712834	RINSE ARM ASSEMBLY <i>(Includes Items 18-24)</i>	2

## \* Note:

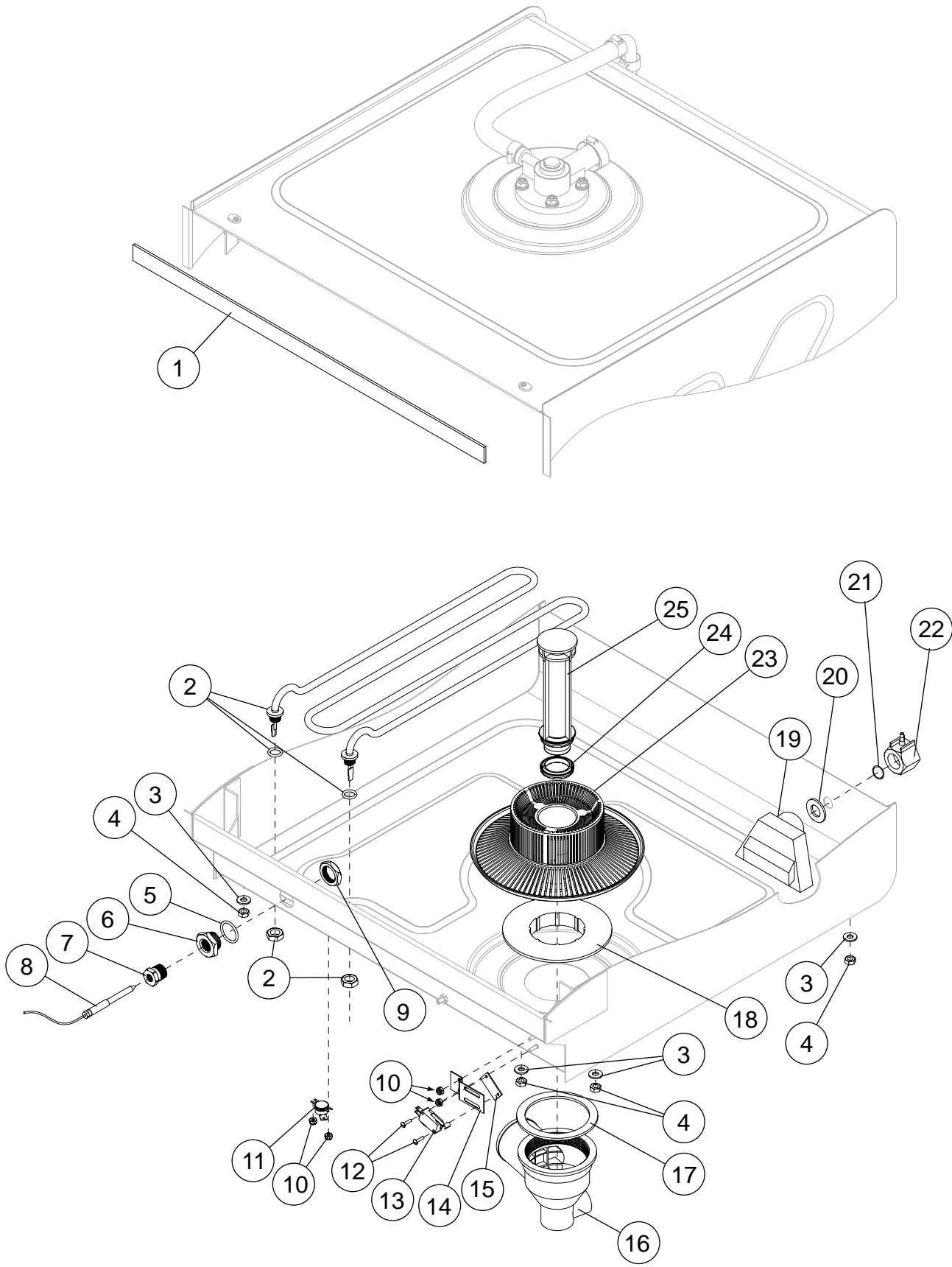
The bearing assembly, P/N 0712749 includes 2 bearings, 1 locknut, and 1 wash arm hub. The bearings, locknut and hub are not available as separate service replacement parts.

Lower Hose Assembly



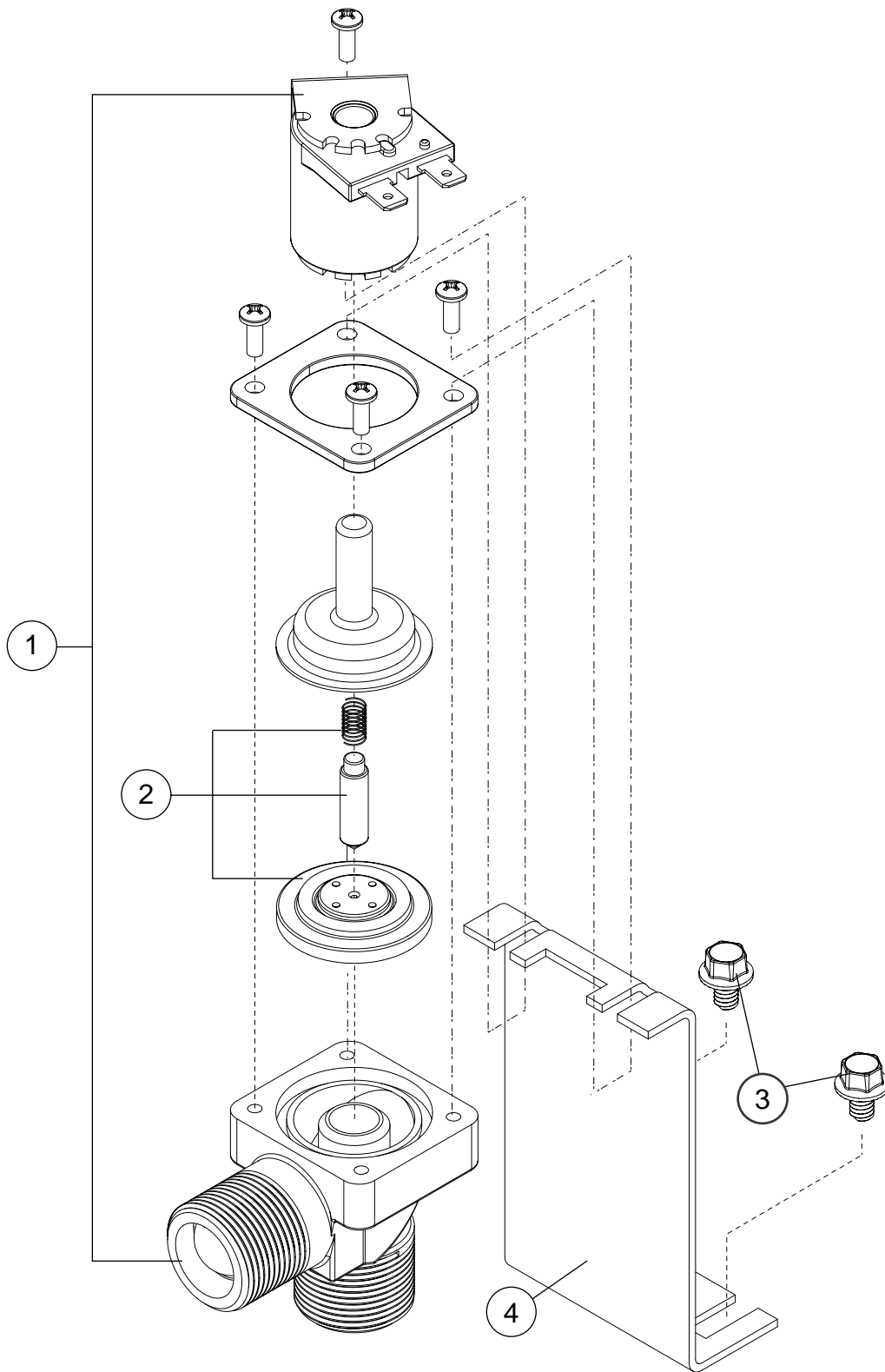
<b>Item No.</b>	<b>Part No.</b>	<b>Description</b>	<b>Qty.</b>
1	0502563	CLAMP, HOSE GEAR-TYPE 1" SST	2
2	107417	HOSE, RUBBER 1/2" id X .84" OD	A/R
3	0503679	CLAMP, HOSE GEAR-TYPE	1
4	0512120	HOSE, UPPER WASH	1
5	0512119	HOSE, DISCHARGE, WASH PUMP	1
6	0502571	CLAMP, HOSE GEAR-TYPE 1-1/2" SST	2
7	0512322	CLAMP, HOSE GEAR-TYPE 1-13/16" -2/34" MAX SST	2
8	0512885	HOSE, SUCTION, WASH PUMP	1
9	0312144	BRACKET, WASH PUMP	1
10	0502668	HOSE, DRAIN PUMP SUCTION	1
11	0512925	HOSE, FILL 1/2" X 7' C/W FNPS	1
12	0512936	WASHER, SILICON 5/8" ID X 7/8" OD	1
13	0512926	HOSE BOOSTER FILL 1/2" X 1'	1
14	0502572	CLAMP, HOSE GEAR-TYPE 5/16"	1

Wash Tank Heater and Drain Assembly



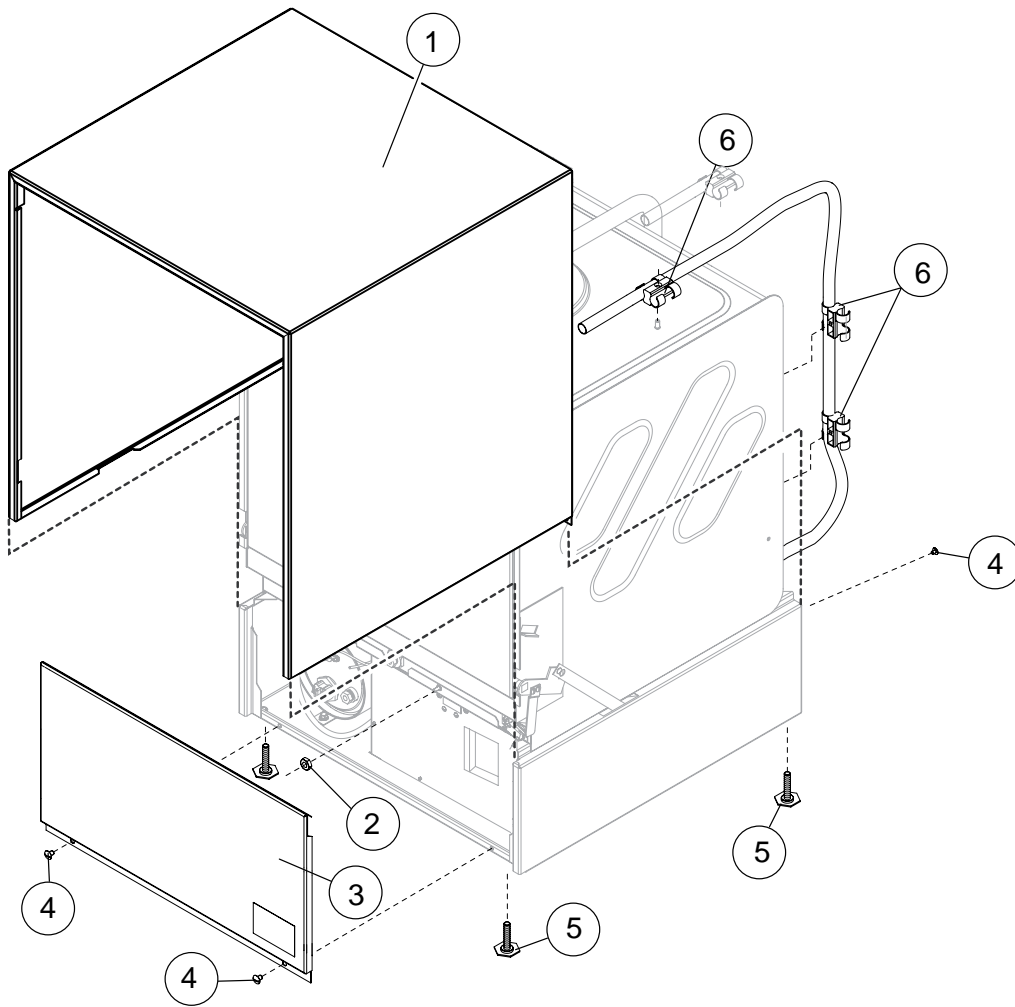
Item No.	Part No.	Description	Qty.
1	0512930	GASKET, DOOR	1
2	0512846	HEATER, WASH TANK, 2KW, 240VAC	1
3	100003	WASHER, SPLIT LOCK 1/4" SST	4
4	0501539	NUT, HEX 1/4-20 SST	4
5	0501836	O-RING	2
6	0508873	ADAPTER, THERMOSTAT	1
7	0512920	BUSHING, THERMOSTAT	1
8	0507323	THERMOSTAT, WASH TANK	1
9	201029	NUT, LOCK 1/2" NICKLE-PLATED	2
10	108954	NUT, GRIP 6-32 W/NYLON INSERT	4
11	113604	THERMOSTAT, FIXED, SNAP 212°F	1
12	0501437	SCREW, 4-40 X 1/2" SST	2
13	0501379	SWITCH, DOOR 15 AMP	1
14	0309228	BRACKET, SWITCH	1
15	0312605	PLATE, SWITCH NUT	1
16	D500605	ELBOW, PUMP SUCTION	1
17	D80208	GASKET, PUMP SUCTION	1
18	D540088	FLANGE, PUMP SUCTION	1
19	H250110	TRAP. AIR	1
20	H25263	GASKET, FLAT	1
21	H25239	O-RING	1
22	H25011	COVER, AIR TRAP	1
23	0512845	FILTER, SUMP	1
24	0512879	SEAL, OVERFLOW TUBE	1
25	0512844	TUBE, OVERFLOW	1

Fill Solenoid Valve Assembly



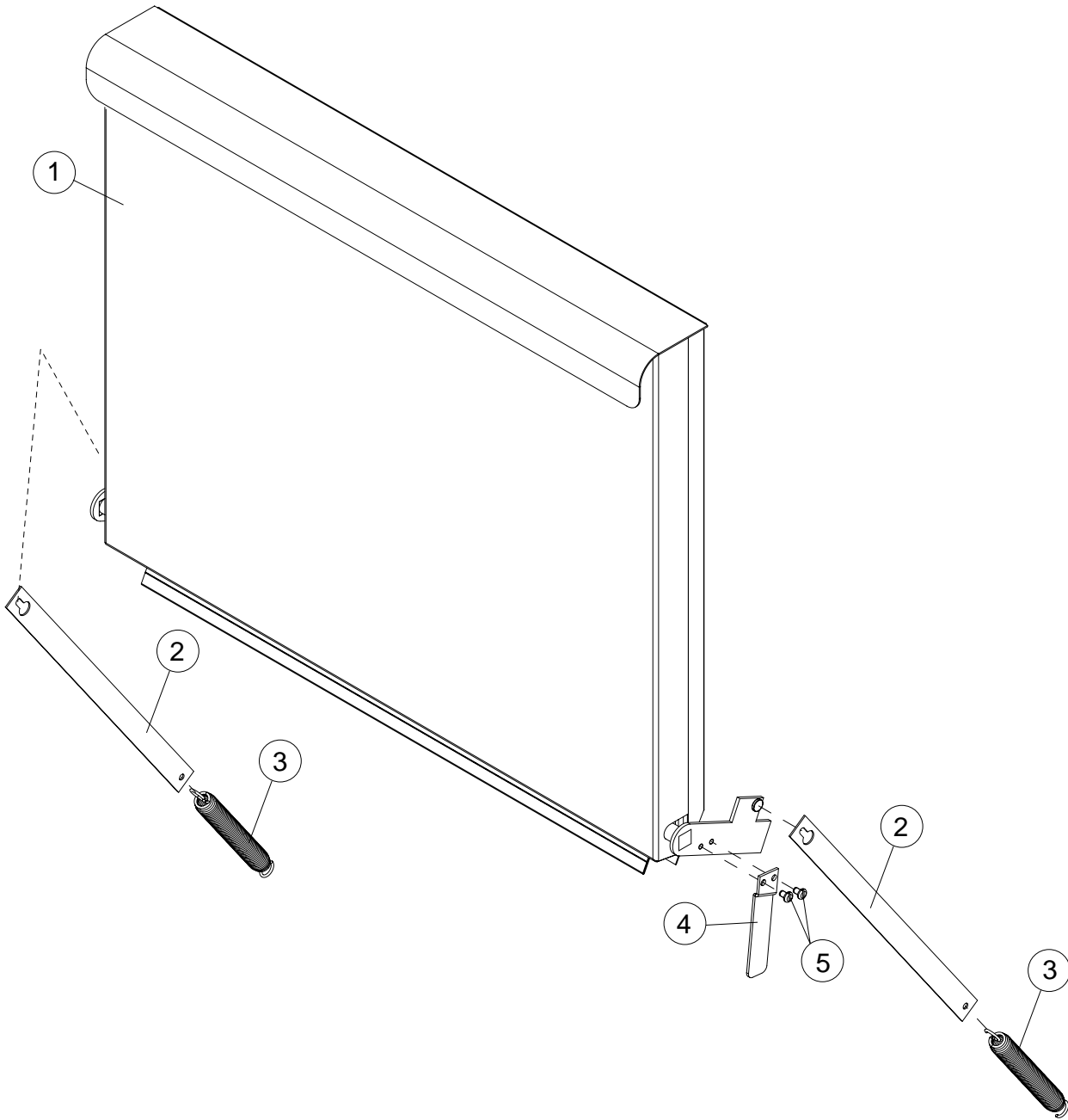
<b>Item No.</b>	<b>Part No.</b>	<b>Description</b>	<b>Qty.</b>
1	0512853-1	VALVE, WATER INLET 220VAC/60/1 (Includes Item 2)	1
2	0512860	KIT, REPAIR SOLENOID VALVE	A/R
3	0512185	BOLT, HEX FLANGE 1/4-20 X 3/8" SST	2
4	0312893	BRACKET, VALVE	1

Panel Assembly



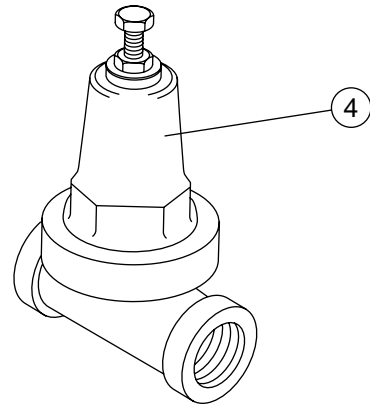
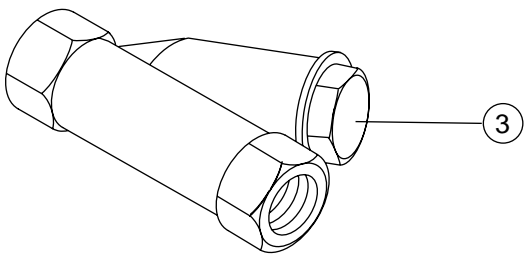
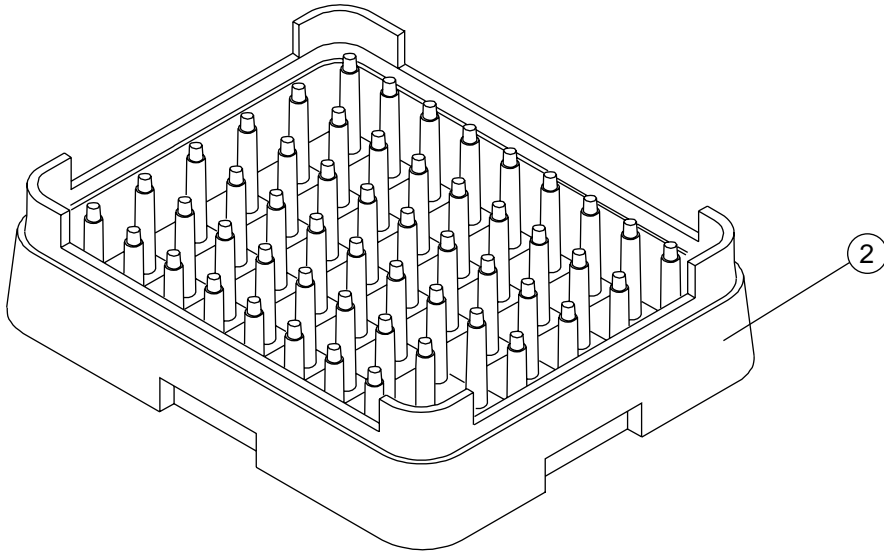
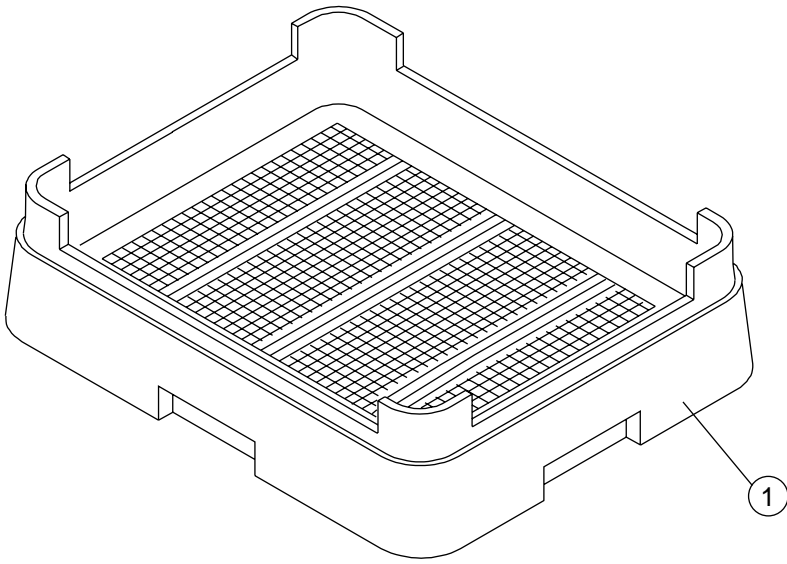
<b>Item No.</b>	<b>Part No.</b>	<b>Description</b>	<b>Qty.</b>
1	0312905	WRAP, OUTER PANEL	1
2	<a href="#">0503718</a>	FOOT, ADJUSTING	4
3	0312960	PANEL, FRONT IUH 351	1
4	<a href="#">100007</a>	SCREW TRUSS SLOT SS 10-32X3/8	4
5	<a href="#">0503718</a>	ADJUSTING, FOOT	4
6	<a href="#">0512761</a>	CLAMP, DOUBLE CONDUIT	3

Door Assembly

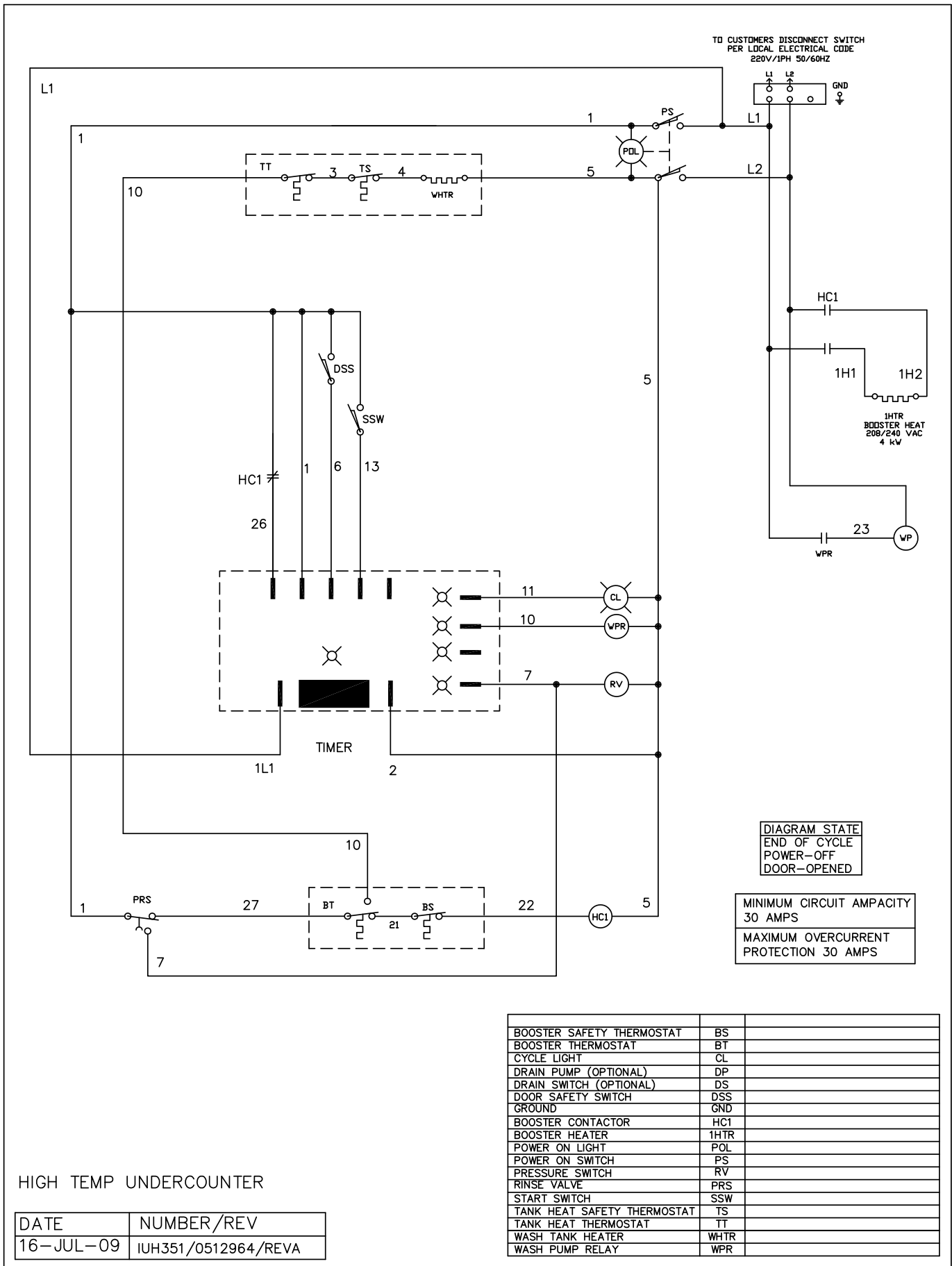


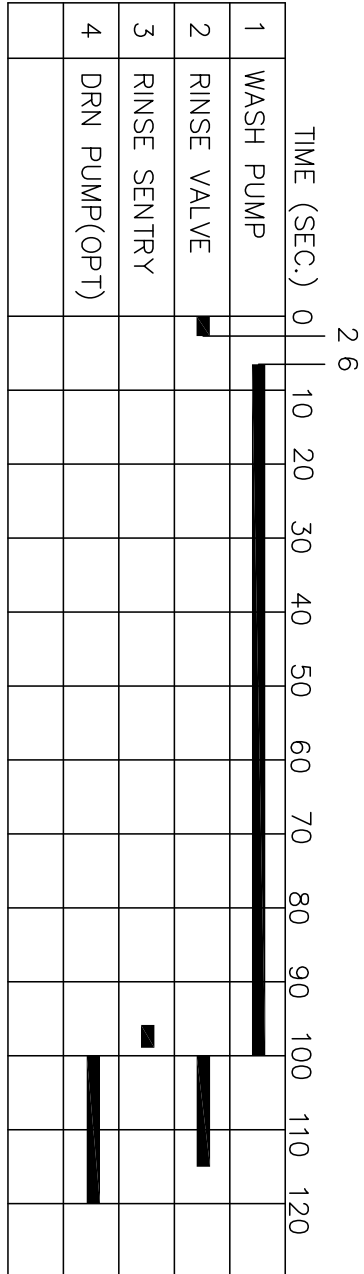
<b>Item No.</b>	<b>Part No.</b>	<b>Description</b>	<b>Qty.</b>
1	0713141	DOOR WELDED ASSY	1
2	0312892	ARM, DOOR SPRING	2
3	0512854	SPRING, DOOR	2
4	0312908	ACTUATOR, DOOR SWITCH	1
5	0503745	SCREW, 8-32 X 3/16" PHIL. SST	2

Dish Racks, Line Strainer, PRV



<b>Item No.</b>	<b>Part No.</b>	<b>Description</b>	<b>Qty.</b>
1	101273	DISH RACK, FLAT-BOTTOM	AR
2	101285	DISH RACK, PEG	AR
3	104421	STRAINER, LINE 1/2" BRONZE (OPTIONAL)	1
4	108265	VALVE, PRESSURE REGULATING (PRV) (OPTIONAL)	1





05CTIUH

TOLERANCE		HOLE DIMENSIONS		ISSUED		MOYER DIEBEL LIMITED		DRAWING NO.	
DECIMAL		A	F	DR	CH	RTG.	05CTIUH	05CTIUH	
ANGLE		B	G	TIMING CHART					
SCALE	1:2	C	H	IUH351 EXPORT					
UNLESS OTHERWISE NOTED		D							
		E	J						

REV	EQN	DESCRIPTION	BY	DATE
P		RELEASED TO PRODUCTION	ROCH	2/26/05

# ***Manual de Español***

# Champion®



International

*Instalación Y Operación, Manual de Servicio y Partes de Reemplazo*



IUH 351

## Lavadora de Platos Bajo Barra De Alta Temperatura

Modelo:

**IUH 351**



Maquina Número de Serie.



Fecha Expedición: 6.15.15

**Manual P/N 0512961 rev. E**

para máquinas que empiezan con S/N W09019166 y arriba

3765 Champion Boulevard  
Winston-Salem, NC 27105  
336/661-1992 Fax: 336/661-1660  
Toll-free: 800/858-4477

2674 North Service Road, Jordan Station  
Ontario, Canada L0R 1S0  
905/562-4195 Fax: 905/562-4618  
Toll-free: 800/263-5798

Impreso en los EE. UU.



Para futuras referencias, escribir la información de su lavadora de platos in el cuadro abajo.

Numero de Modelo_____	Numero de Serial_____
Voltaje_____	Frecuencia_____ Fase_____
Servicio _____	Tel:_____
Distribuidor _____	Tel:_____

**Departamento de Servicio Nacional en los EE.UU.**

Toll-free: 800/ 858-4477  
Tel: 336/ 661-1992  
Fax: 336/ 661-1660  
Email: service@championindustries.com

**ATENCIÓN:**

Nú.de modelo, Nú de serial, voltaje, Hz y fase se necesitan para identificar su máquina y para responder sus preguntas. La placa de datos de la máquina se encuentra en el panel frontal inferior.

Por favor tenga esta información lista al momento de llamar al servicio de asistencia.

## Historial de Revisions

<b>Fecha de Revisión</b>	<b>Revisión de Páginas</b>	<b>Effectividad de numero de serie</b>	<b>Descripción de la Revisiones</b>
8.31.09	Todas	W09019166	Primero Edición
6.14.10	4	W09019166	La máquina tiene un drenaje de gravedad
1.21.11	15-37	W09019166	Para formatear la lista de partes
5.5.11	30-31	W09019166	Cambie artículo 1 a 220VAC
6.9.11	34-35	W09019166	Cambie ensamble de la Puerta a P/N <a href="#">0713141</a>

***Esta Página  
Intencionalmente se ha  
Dejado en Blanco***

# Índice de Contenidos

## Model IUH 351 Lavaplatos Bajo Barra

<i>Historial de Revisiones</i> .....	<i>i</i>
<i>Descripción de Modelo</i> .....	<i>iv</i>
<b>Instalación</b> .....	<b>1</b>
<i>Recibir</i> .....	1
<i>Conexiones Eléctricas</i> .....	2
<i>Conexiones de agua</i> .....	4
<i>Conexiones de desagüe</i> .....	5
<b>Arranque Inicial</b> .....	<b>6</b>
<i>Montaje</i> .....	8
<b>Funcionamiento</b> .....	<b>7</b>
<i>Modo de Lavado Normal</i> .....	7
<i>Modo de Enjuague Centinela</i> .....	8
<b>Limpieza Y Mantenimiento</b> .....	<b>9</b>
<i>Limpieza</i> .....	9
<i>Mantenimiento</i> .....	12
<i>Localización Y Solución De Problemas</i> .....	13
<b>Servicio, Partes De Reemplazo</b> .....	<b>15</b>
<b>Esquemas Eléctricos</b> .....	<b>38</b>
<b>Gráficas para Medidor de Tiempos</b> .....	<b>39</b>

## **Descripción de Modelo**

### **351HT E**

El lavaplatos esterilizador de alta temperatura con agua caliente, está construido con temperatura de calefacción de refuerzo integrado 40°F/22°C aumento.

208-240VAC/50/60/1.

**ATENCIÓN:**

La instalación de su lavaplatos debe realizarse por una persona de servicio calificado.

Problemas debido a la instalación incorrecta de su equipo no serán cubiertos por la garantía.

1. Inspeccionar el exterior de la caja de cartón de su lavaplatos por si tiene muestras de daño.
2. Quitar la caja de cartón e inspeccionar el lavaplatos por daños.
3. Buscar todos los accesorios que pueden haber sido enviadas con su lavaplatos.
4. Mueva el lavaplatos cerca de la ubicación permanente.

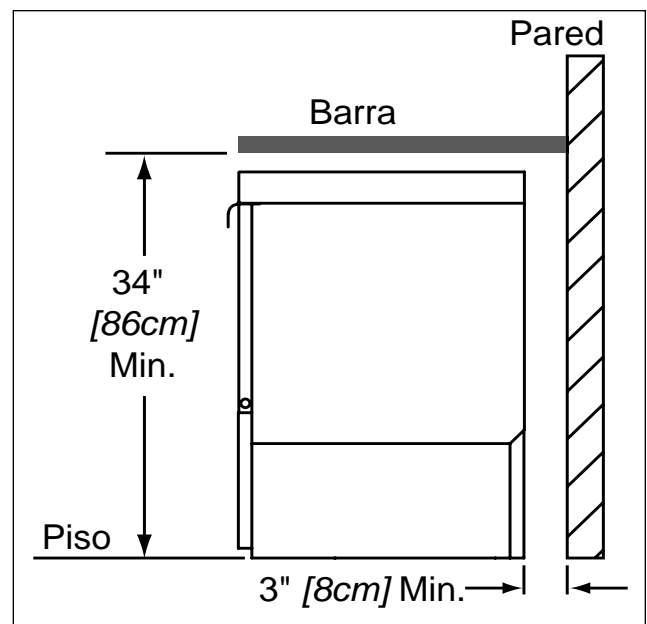
**PRECAUCIÓN:**

Tenga cuidado al levantarla para evitar daños.

**ATENCIÓN:**

La instalación debe cumplir con códigos de salud local.

5. Compruebe que las conexiones de utilidad sean los mismos.
6. El lavaplatos puede instalarse como un lavaplatos independiente o en virtud de uno bajo barra. La altura típica de uno bajo barra es 34" [86cm].
7. Coloque el lavaplatos en su ubicación permanente.
8. El lavaplatos tiene 4 pies ajustables de nivelación.
9. Nivelar el lavaplatos al frente y atrás, y lado a lado.



## Conexiones Eléctricas



### ADVERTENCIA:

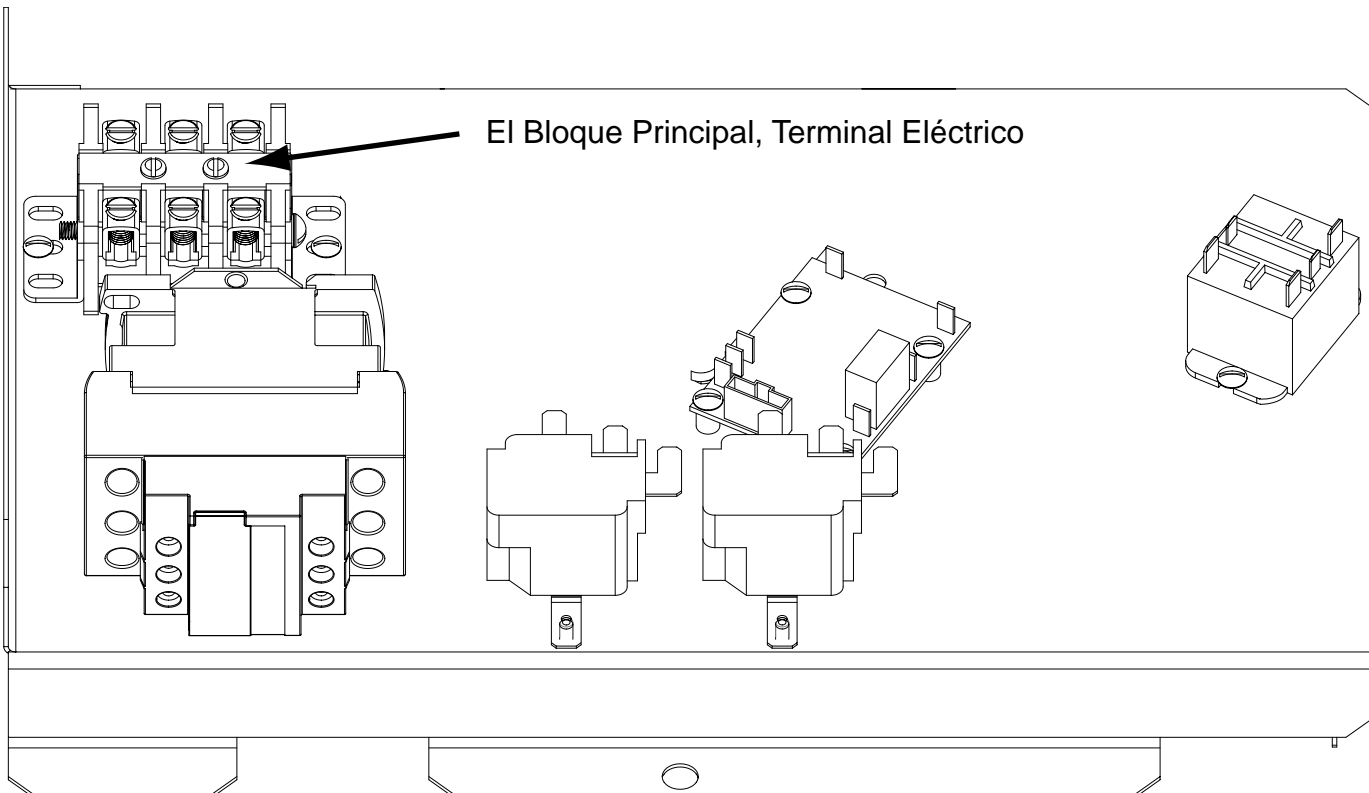
Electrocución o lesiones serias pueden resultar cuando se trabaja con un circuito de energía. Desconecte la energía en el interruptor principal o de servicio de interruptores y desconéctelo antes de trabajar en el circuito. Mirar y marcar el interruptor para indicar que esta trabajando con ese circuito.

## ATENCIÓN

Un electricista calificado debe ser quien conecte la entrada de energía del lavaplatos de acuerdo con las regulaciones de conformidad con todos los códigos reglamentarios locales.

**VERIFICAR EL VOLTAJE CORRECTO QUE SE ESTA SUMINISTRANDO A LA MAQUINA  
EL SUMINISTRO DE VOLTAGE CORRECTO ES 208 - 240 VCA/50/60/1.**

*(Vea el diagrama en la página siguiente.)*



*El bloque principal, terminal eléctrico (MTB) se encuentra en la esquina trasera izquierda del panel eléctrico.*

## Conexiones Eléctricas

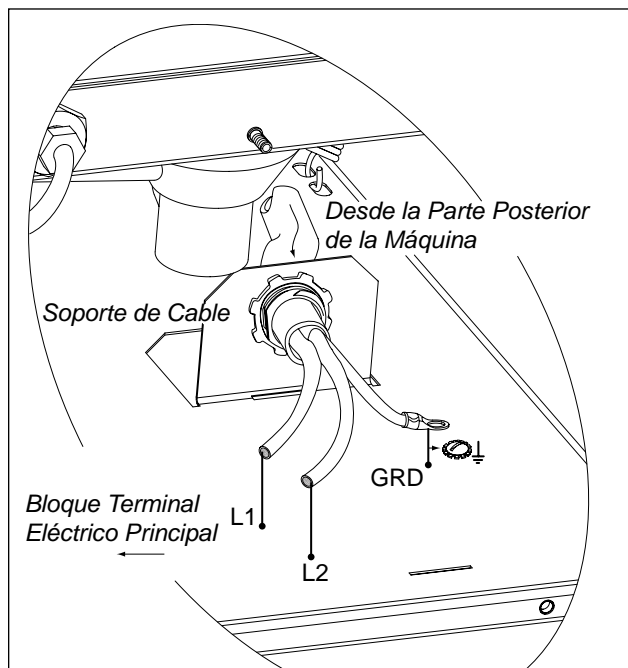
1. Consulte el diagrama de conexión en la página anterior y en la foto debajo:
2. Máquinas requieren 2 abastecimientos, uno de tierra y uno que incluye un cable de transporte de corriente neutral.
3. Las conexiones de energía se realizan en el bloque principal del terminal (MTB).
4. El MTB se encuentra en la esquina trasera izquierda del panel eléctrico detrás del panel frontal de acceso. (Consulte la ilustración en la página anterior).

### ATENCIÓN:

Proporcionar 3 pies de cable de energía eléctrica enrollado en la parte trasera del lavaplatos para el servicio.

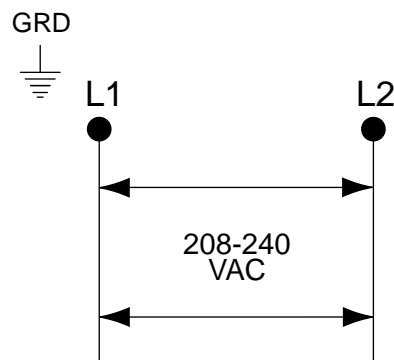
### Conexión de suministro principal al lavaplatos.

1. Quitar el panel delantero de acceso al lavaplatos.
2. Busque el panel de montaje eléctrico en el lado derecho de la máquina. Quite la tuerca de retención en la parte superior del panel que mantiene el panel en su lugar.
3. Disminuir el panel y tire hacia adelante para acceder al bloque principal del terminal (MTB).
4. Colocar el cable de energía eléctrica a través del agujero de cable, localizado en el lado derecho, tal como se puede ver en la parte frontal de la maquina, en el interior del lavaplatos.
5. Asegúrese de que el cable pase a través del soporte situado en el montaje cerca de la parte frontal-centro de la base y asegurar el cable con un conector de cable.
6. Conecte el cable de tierra a la base del lavaplatos, con el tornillo de tierra junto al cable de soporte de montaje.
7. Los cables de energía eléctrica que sobren, deben ser colocados con el terminal principal y conectar según el diagrama de conexión a la derecha.



Dirija el cable de suministro a través del soporte de cable.

### Fase Sencilla de Conexión Eléctrica 208-240VAC 50/60/1



### Como Conectar la Electricidad

1. Compruebe la placa de datos en la parte delantera del lavaplatos para los voltios de la máquina.
2. Quitar la parte inferior del panel de acceso frontal.
3. Disminuir el soporte de componentes eléctricos.
4. Suministrar el cable eléctrico de la parte posterior del lavaplatos en el centro de la máquina y a través del soporte del cable
5. Conecte el cable de tierra a la base de la lavadora de platos utilizando el tornillo de tierra situado cerca del soporte.
6. Suministrar la luz que conduce al bloque de terminal.
7. Conecte L1, L2 en el piso.
8. Conexiones de suministro principal están completas.

## *Conexión de Agua*

### **ATENCIÓN**

Conexiones de plomería deben cumplir con plomería local y códigos sanitarios.

### **IMPORTANTE**

Asegúrese de que el suministro de agua y tubos flexibles de drenaje no estén torcidos.

1. Todos los modelos cuentan con una manguera de agua caliente de 6 pies, y con un conector de NPS 3/4".
2. Un 1/2" o una mas grande línea principal de suministro entrante debe ser instalado en el lavaplatos.
3. Un 1/2" o una más grande válvula de cierre debe ser instalado en la línea de suministro de agua lo mas cerca posible para poder darle un buen servicio al lavaplatos.
4. La válvula reguladora de presión, PRV, **debe instalarse** después que la válvula de cierre de servicio este apagada, Si la entrante es bajo la presión que no sea superior a 20-22 psi.
5. El suministro de agua caliente debe proporcionar un mínimo de 140°F/60°C, Medir en el lavaplatos para el calentador de agua de 40°F / de 22°C.
6. Dureza de agua de 3 granos/U.S. gal [51.3mg/L] o menos es recomendado.

## *Conexión de Desagüe*

1. El lavaplatos tiene una manga de desagüe de gravedad.
2. El flujo máximo de desagüe es 8 (E.U.) galones por minuto/30 litros por minuto.
3. Asegúrese de que la manga de desagüe no tiene retorcedura. Las retorceduras prevendrán el agua de desaguar completamente, y el lavaplatos se derramará fuera la puerta principal.

***Esta Página  
Intencionalmente se ha  
Dejado en Blanco***

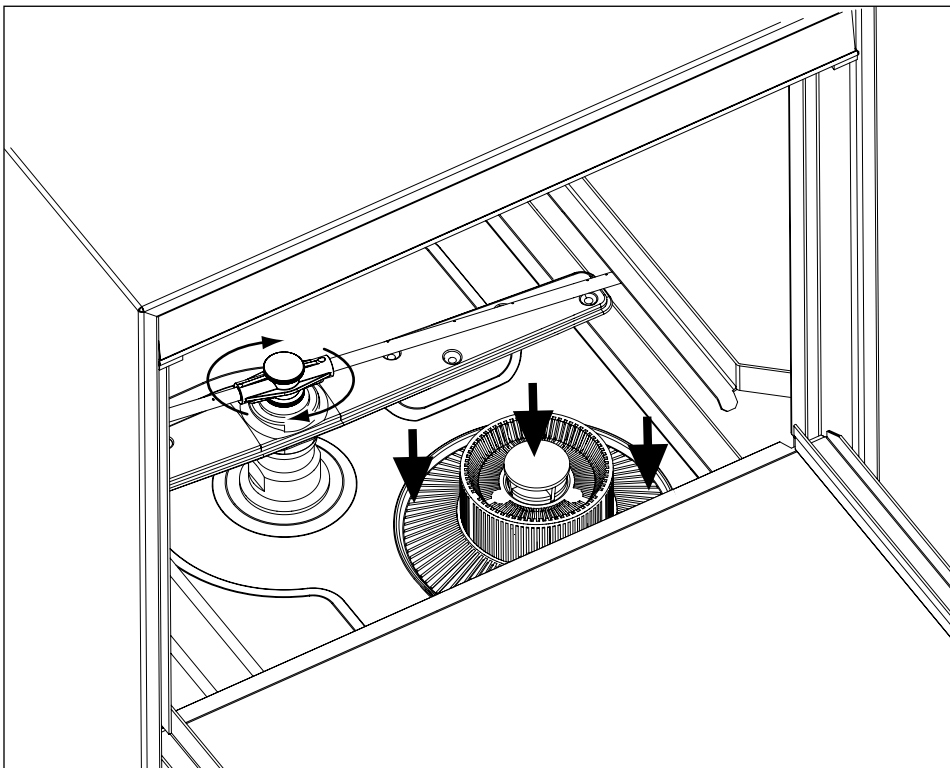
## Arranque Inicial

### Lista de Verificación

1. Quitar cualquier protector del lavaplatos. Revise el interior por cualquier material extraño.
2. Asegúrese el lavaplatos esté permanentemente en su sitio.
3. Asegúrese todas las conexiones de servicios públicos están completos.
4. Asegúrese el conducto de drenaje extendido y la manguera de agua caliente no estén enredadas.
5. Asegúrese el filtro de el sifón este en su lugar.
6. Asegúrese el tubo de desagüe está instalado y bien puesto firmemente en el sifón.
7. Asegúrese los brazos rociadores están en su lugar y que giren libremente.
8. Totalmente cerrar la puerta del lavaplatos.
9. Gire el suministro de agua caliente y comprobar si hay fugas en el suministro de agua principal conectados a la tubería del lavaplatos.

### IMPORTANTE

**Durante el relleno inicial, ajuste la PRV para garantizar que la presión que fluye el agua entrante este establecida en 20-22 psi.**



*Instale el filtro del sifón, tubo de desbordamiento, y los brazos de rociado.  
Asegúrese de que los brazos de rociado giren libremente.*

## Modo de Lavar Normal

Siga las siguientes instrucciones para hacer funcionar el lavaplatos en un modo normal. Una característica de enjuague Centinela mantiene el lavaplatos lavando si el calentador de agua esta por debajo de 180°F/82°C.

1. Gire el interruptor principal que esta en el circuito principal.
2. Instalar el filtro del sifón, sobre el tubo de desagüe y los brazos rociadores.
3. Asegúrese de que la manguera de drenaje flexible y la manguera extensible del agua no estén torcidas o enredadas, y encienda el abastecimiento de agua.
4. Cierre la puerta de entrada del lavaplatos.
5. Presione el interruptor de encendido de lavaplatos a la posición ON. El interruptor de encendido se iluminará, la máquina empezará a llenarse con agua.
6. Espere 15 minutos para que el lavaplatos llegue a un mínimo de 150°F/66°C.
7. Colocar platos sucios en el estante para platos. Coloque platos, vasos, tazas, y platos hondos en una canasta de soporte. Coloque utensilios en una sola capa y acostados al fondo de una canasta. Coloque ollas y sartenes en una canasta plana en el fondo de la misma. No sobrecargue las canastas de platos.
8. Deslice 1 estante para platos en el compartimiento de lavado, asegurándose de que los platos no toquen o interfieran con los brazos de rociado en rotación. No lavar mas de una canasta a la vez.
9. Cerrar la puerta delantera plenamente, a continuación, presione y sostenga el interruptor de encendido (Start) por un segundo. Se encenderá la luz en el ciclo de color verde y se iniciará el ciclo de lavado. El ciclo de lavado tendrá un tiempo de duración aproximadamente 1-1/2 minutos.
10. Al abrir la puerta cuando el lavaplatos esta encendido la maquina automáticamente se apagara. El ciclo se reanudará automáticamente cuando la puerta del lavaplatos se cierra completamente.
11. El ciclo de enjuague comienza al final del ciclo de lavado y tiene una duración aproximadamente 15 segundos.
12. Al final del ciclo de enjuague, la luz del ciclo se apagará, Abra la puerta y sacar la bandeja de los platos limpios. Repita los pasos del 8-12 para canastas de platos adicionales.
13. Consulte las instrucciones de limpieza, "Después de cada periodo de comida o cada 8 horas de funcionamiento", en la página 9 para los procedimientos drenaje y limpieza del lavaplatos.

## *Modo de Enjuague Centinela*

La temperatura del agua de enjuague final debe ser de un mínimo de 180°F/82°C durante el ciclo de enjuague final para garantizar que todos los productos sean desinfectados. Si por cualquier motivo, la temperatura del agua caliente en el tanque de calentador de agua no puede proporcionar esta temperatura, el lavaplatos entra en el ciclo en modo de centinela y se extiende el tiempo de operación.

El enjuague centinela cambia el modo de operación normal, tal como se describe a continuación:

1. El centinela enjuague supervisa constantemente la temperatura del agua dentro del calentador de agua en el enjuague final.
2. Si la temperatura dentro del calentador de agua cae por debajo de los 180°F/82°C entonces el enjuague centinela ampliará el ciclo de lavado de tiempo hasta que la temperatura del agua del calentador alcance la temperatura adecuada.
3. La luz permanecerá encendida durante el modo de enjuague de centinela.
4. Un ciclo de lavado extraordinariamente largo puede indicar una baja temperatura del agua entrante o un problema con el funcionamiento del calentador de agua.

**NO QUITE LOS PLATOS HASTA QUE EL CICLO DE ENJUAGUE FINAL HAYA DESINFECTADO Y LA LUZ VERDE DEL CICLO FINAL SE HAYA APAGADO.**

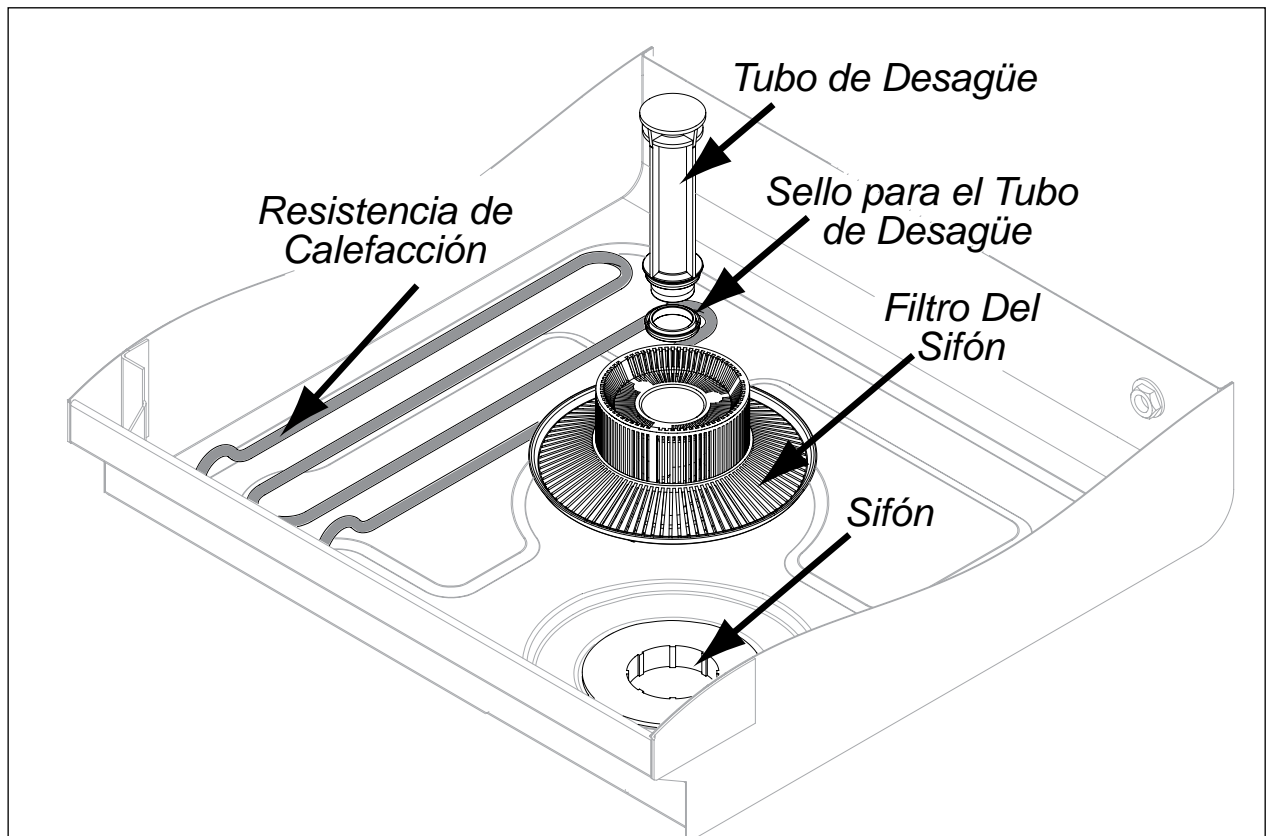
### **! ATENCIÓN !**

Si la temperatura de lavado esta baja por un tiempo extendido, drene la maquina y rellene con agua fresca. Inicie dos ciclos de lavado (sin platos o vasos en la maquina) y chequear que el termómetro del tanque de lavado indique 150°F/66°C.

## Limpieza

Después de cada periodo de comida o cada 8 horas de funcionamiento

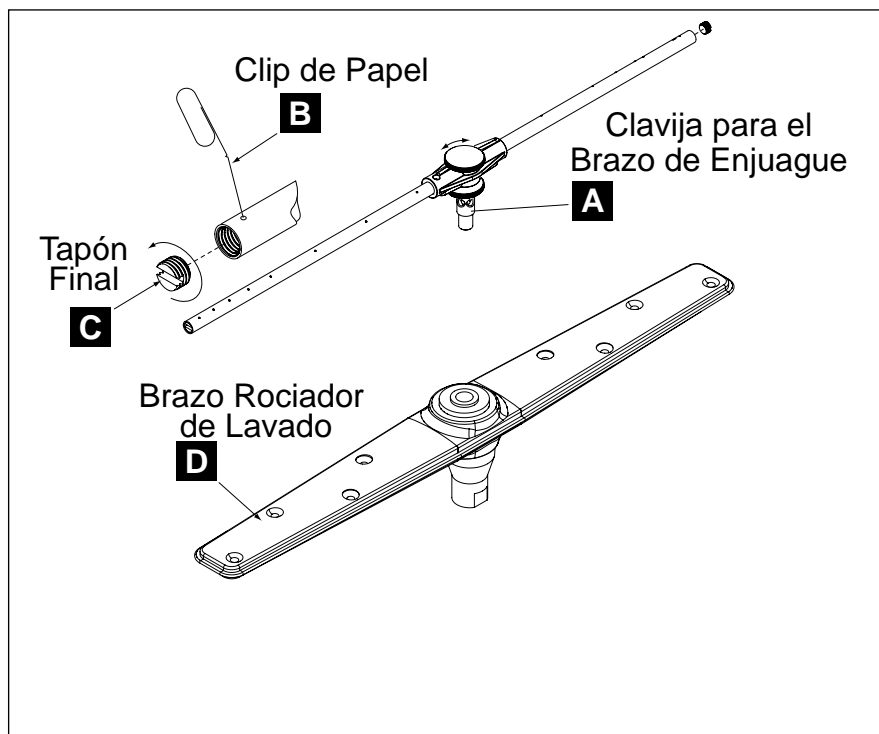
1. Presione el interruptor de encendido en la posición OFF. El interruptor de luz de encendido se apagará.
2. Abra la puerta y retire el tubo de desagüe.
3. Quite el filtro del sifón con cuidado para mantener las partículas o residuos de comida, para que no caigan dentro del sifón.
4. Limpie el filtro del sifón y enjágüelo con agua limpia.  
Asegúrese de lavar el filtro por ambos lados.  
No golpear el filtro contra objetos sólidos.
5. Revise el sifón por si quedo algún material extraño o comida y límpielo según sea necesario.
6. Reemplazar el filtro del sifón y el tubo de desagüe.
7. Asegúrese de que los brazos de rociado giren libremente.
8. Cerrar la puerta y prender el interruptor de encendido ON/OFF (PRENDER/APAGAR) a ON y volver al modo de funcionamiento normal.



## Limpieza

Al final del día

1. Retire los brazos rociadores inferior y superior de enjuague y de lavado, Los brazos de rociado son intercambiables.
2. Afloje el pin del brazo de enjuague (A). Quitar los brazos de enjuague ensamblables.
3. Limpiar las boquillas de brazo de enjuague final con un pequeño clip de papel (B).
4. Quite los tapones de los brazo de enjuague final (C) si es necesario, y lavar el brazo de enjuague con agua limpia.
5. Vuelva a instalar los tapones de enjuague final del brazo si se quitan.
6. Quitar los brazos rociadores de lavado y lavarlos con agua limpia.
7. **NO UTILICE ESPONJA DE ACERO PARA LIMPIAR EL INTERIOR DE LA MÁQUINA.**
8. Póngase en contacto con el proveedor de productos químico para de-calcificar si es necesario (consulte la página siguiente).
9. Limpiar dentro y fuera de la máquina con un paño suave y un detergente suave.  
**NO LAVE POR FUERA DE LA MÁQUINA CON UNA MANGUERA Y AGUA.**
10. Volver a ensamblar el lavaplatos y dejar la puerta abierta para permitir que se seque durante la noche.



## Para Descalcificar

Minerales se acumulan en las superficies interiores del lavaplatos. Los depósitos tienen una niebla blanca y, en los casos de acumulación pesada, pueden aparecer como gránulos sólidos.

El nombre genérico para depósitos minerales es CAL. La eliminación de los depósitos de CAL se denomina de - calcificar. Su lavaplatos debe ser de - calcificar regularmente; y con qué frecuencia dependerá de el contenido de su agua mineral.

Inspeccionar el interior de máquina para depósitos de cal. Si se requiere de - calcificar, un químico para de - calcificar debe utilizarse para obtener mejores resultados de conformidad con las instrucciones del proveedor de productos químicos.

### **Peligro:**

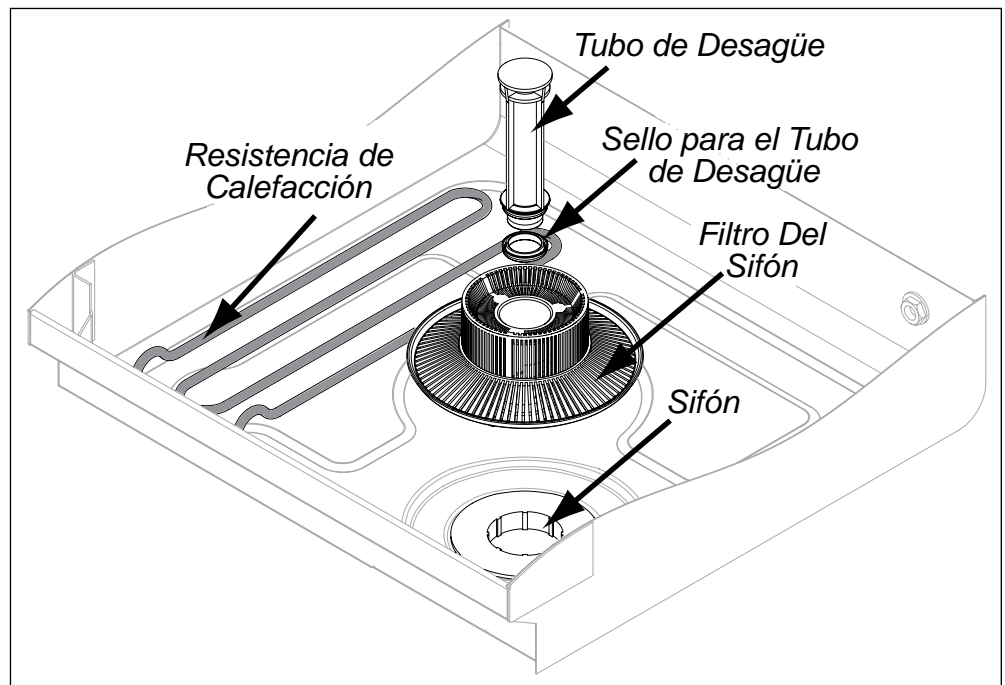
Pueden ocasionar la muerte o lesiones graves cuando de - calcificar solución se mezcla con hipoclorito de sodio (blanqueador de cloro) un químico de limpieza. Mezclarlos puede causar gases peligrosos. La solución de decalcificando y otros ácidos nunca deben ser mezclada con yodo, cloro, bromo o flúor.

### **Precaución:**

Contacto con la piel de las soluciones de cal puede causar irritación severa y posibles quemaduras químicas. Siempre use ropa protectora y gafas al manipular los productos químicos.

### **Atención:**

Comuníquese con su proveedor de sustancias químicas para los procedimientos específicos de seguridad y las instrucciones para el uso de la solución de-calcificar, suministrados para el lavaplatos. La solución para Decalcificar, o otros químicos no se pueden conseguir con la fabrica de lavaplatos.



## *Mantenimiento*

Follow the maintenance schedules below to keep the dishwasher operating most efficiently.

Siga los planos de mantenimiento mencionados abajo para mantener el lavaplatos en un funcionamiento más eficiente.

### Mantenimiento diario

1. Mirar todos los Brazos de lavado y enjuague y los inyectores de roseo, limpiarlos si es necesario.
2. Asegúrese de que el suministro de agua estén encendidos y que el desagüe no esté obstruido.
3. Asegúrese de que las canastas de platos estén en buenas condiciones.
4. Siga los procedimientos de limpieza dados anteriormente.

### Mantenimiento Semanal

1. Realicé los pasos 1-4 en el mantenimiento diario.
2. Inspeccionar las mangueras de agua por si hay una fuga.
3. Asegurase que no haya fugas de agua por debajo del lavaplatos.
4. Asegúrese de que la manguera de agua y de desagüe extensible no estén torcidas.
5. Asegúrese de que el lavaplatos esta en nivel.
6. Limpiar los depósitos de cal acumulados en la resistencia del tanque de lavado.
7. Inspeccione los filtros de desperdicios y reemplazarlos si están dañados.
8. Mirar los brazos de rociado y reemplazar o reparar si están dañados.

## Localización y Solución de Problemas

Siga la guía de solución de problemas más adelante en caso de que su lavaplatos no funcione como se espera. Chequear los controles básicos a continuación antes de llamar a un agente de servicio técnico autorizado.

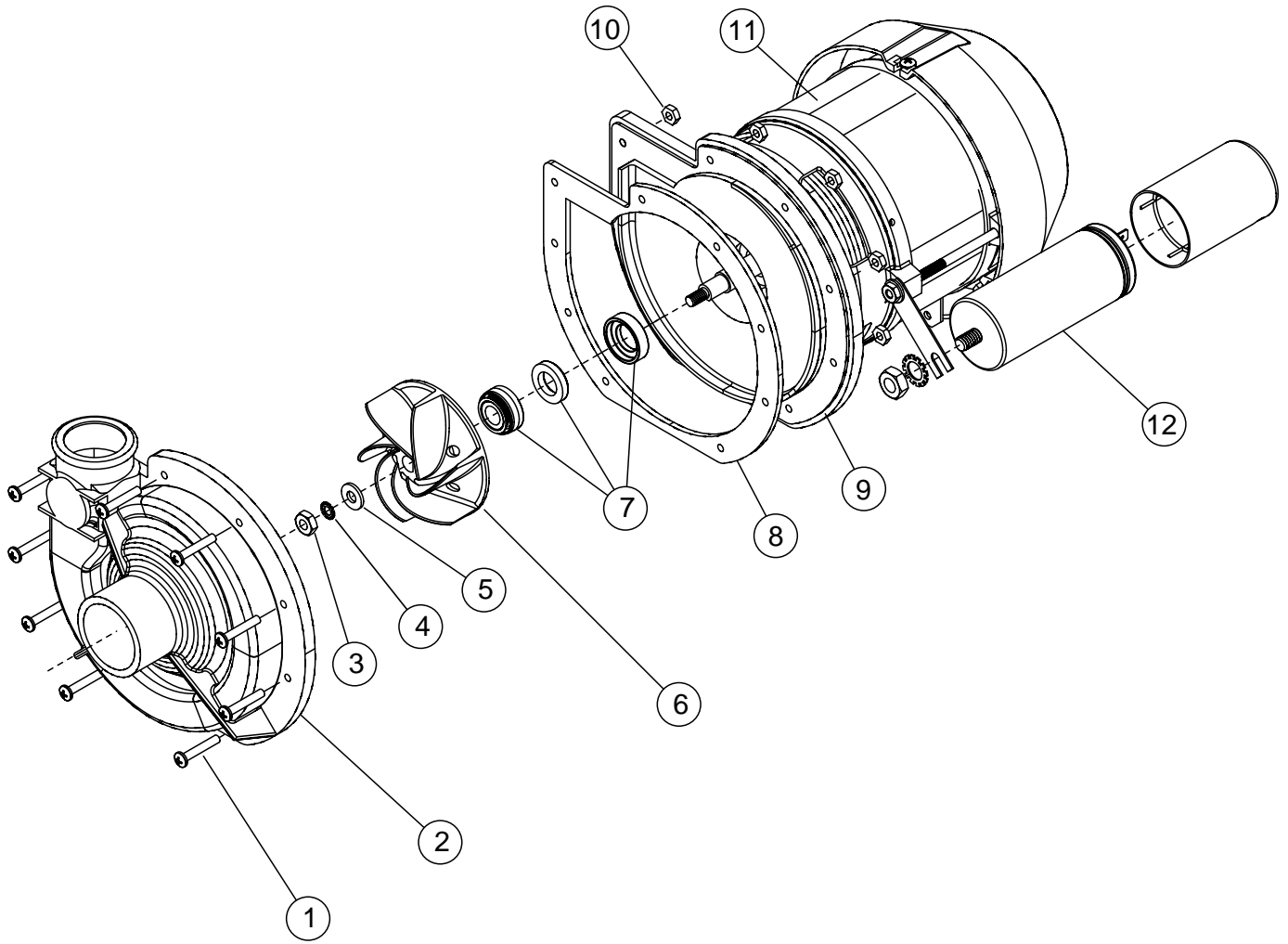
1. Asegúrese el suministro principal de agua está activado
2. Asegúrese el interruptor principal está encendido.
3. Asegúrese la manguera de agua y de desagüe extensible no estén torcidas

CONDICIÓN	CAUSA	SOLUCIÓN
El lavaplatos no se pone en marcha	La puerta no cierra. Interruptor principal encendido apagado.  Lavaplatos apagado.	Cerrar la puerta. Verifica que el interruptor de luz principal este encendido. Prender el lavaplatos.
No hay agua o hay poco agua	Suministro principal de agua está apagado. PRV configuración incorrecta. Solenoides filtro obstruido. Solenoides de la válvula defectuosa..	Abra la válvula de suministro. Ajustar la configuración PRV. Limpiar el filtro. Póngase en contacto con el agente de servicio.
Resultados muy bajos de lavado.	El tanque no tiene detergente. Platos incorrectamente puestos en la conasta de platos.  Filtro del sifón obstruido. Brazos de rociado obstruidos.  Termostato defectuoso.  Motor de detergente defectuoso.  La temperatura del agua de lavado es demasiado baja.	Añadir detergente.  Organizar los platos o reducir la cantidad de platos.  Limpiar el filtro de sifón. Limpiar los brazos de rociado.  Póngase en contacto con el agente de servicio.  Póngase en contacto con el agente de servicio.  Póngase en contacto con el agente de servicio.
Lavaplatos debe estar en el ciclo de lavado.	Enjuague centinela ampliará el tiempo hasta que la temperatura del agua del calentador alcance la temperatura adecuada 180°F/82°C.	Póngase en contacto con el agente de servicio. porque el motor del termostato esta defectuoso.

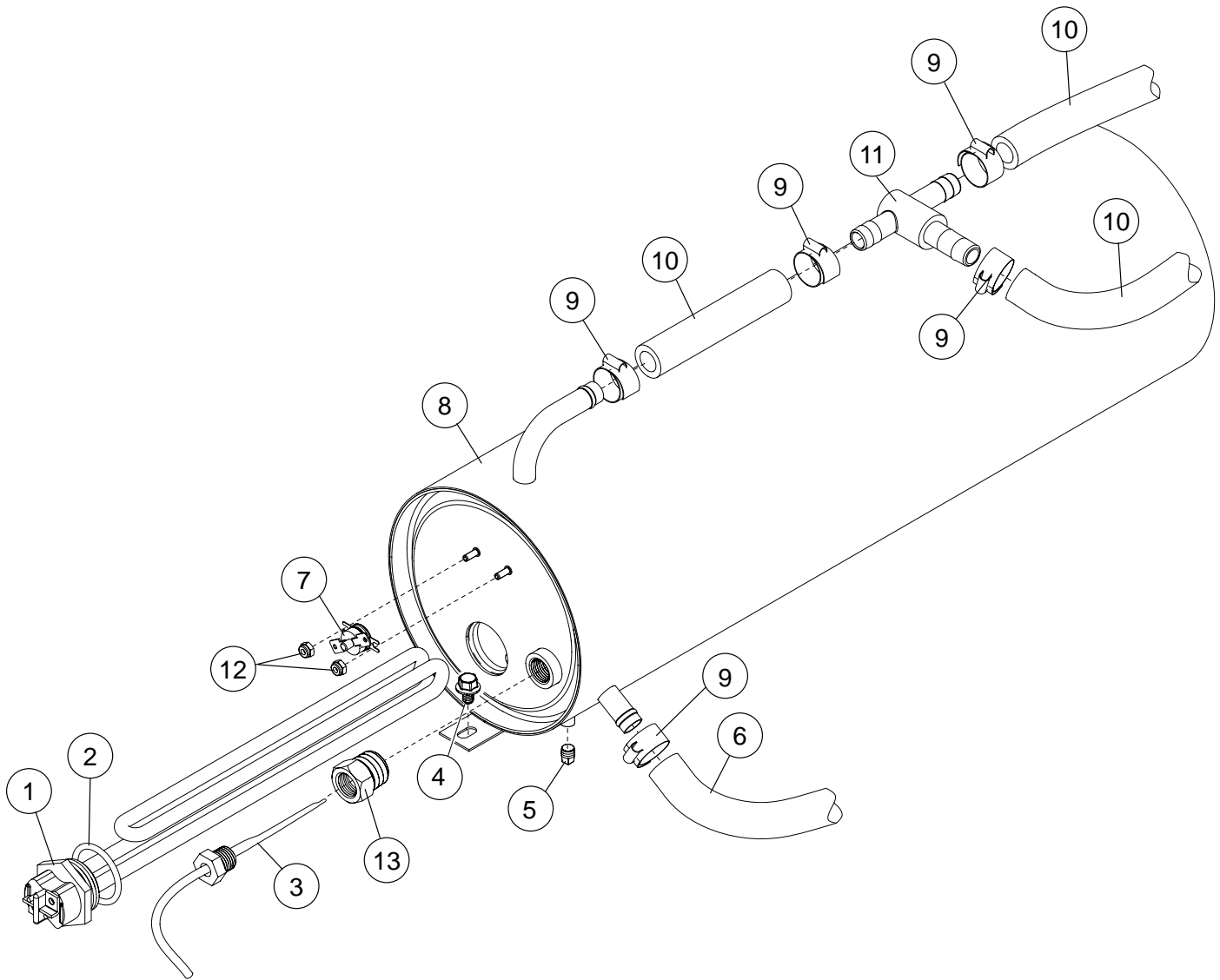
***Esta Página  
Intencionalmente se ha  
Dejado en Blanco***

# Respuestos de Servicio

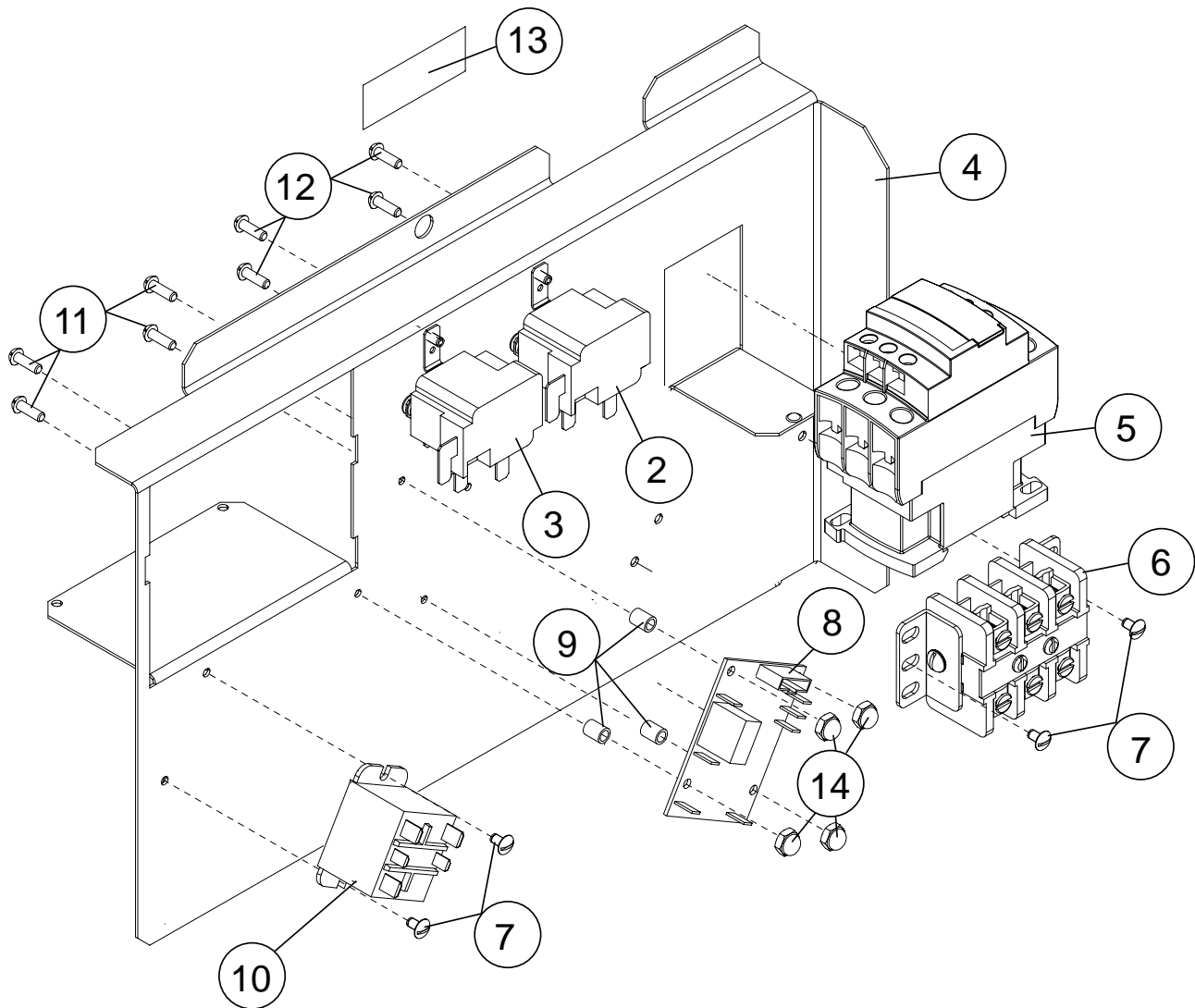
<b>Ilustraciones</b>	<b>Página</b>
Motor/Bomba Para Lavar .....	16
Calentador Eléctrico .....	18
Panel Eléctrico y Temporizador .....	20
Panel de Control.....	22
Montaje de los Brazos Rociadores para Lavar y Enjuagar .....	24
Montaje de los Mangueras de abajo .....	26
Calefacción para el Tanque de Lavado y Montaje del Sifón.....	28
Montaje de la Válvula Solenoide para Rellenar.....	30
Montaje del Panel.....	32
Montaje de la puerta.....	34
Bandeja de Platos, Filtro de Linea y Reguladora de Presión .....	36
Esquema Eléctrico.....	38
Temporizador Gráfico .....	39



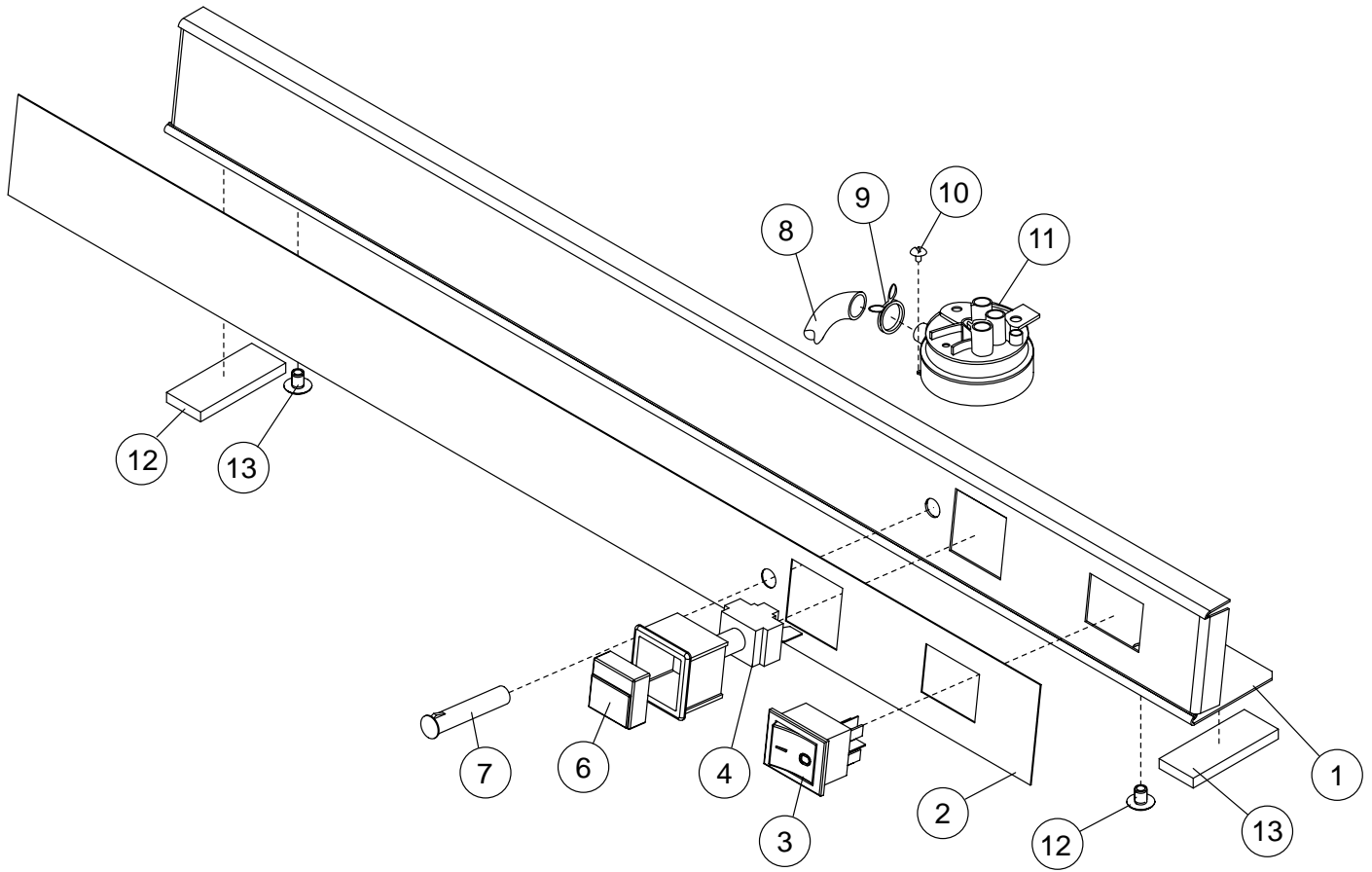
<b>Item No.</b>	<b>Partes No.</b>	<b>Descripción</b>	<b>Cantidad.</b>
1	0512340	TORNILLO, M4, PHIL, PAN HD.	9
2	0512341	TAPA PARA EL PROPULSOR	1
3	114144	TUERCA, M6 (roscas izquierdas)	1
4	0501501	ARANDELA DE CIERRE, 1/4"	1
5	0501478	ARANDELA, 17/64"	1
6	0512345	PROPULSOR	1
7	114139	SELLO	1
8	110285	EMPAQUE, BOMBA	
9	114137	PLACA, BOMBA	1
10	107337	TUERCA, M4	9
11	0512101-1	BOMBA / DE MONTAJE DE MOTOR COMPLETO 220VAC 50/60/1	1
12	H29043	CAPACITOR 16 $\mu$ F	1



Item No.	Partes No.	Descripción	Cantidad.
1	0512847	RESISTENCIA, CALENTADOR 4KW, 208V, 40°F (No Incluye la Empaque)	1
2	0512928	EMPAQUE, CALENTADOR	1
3	0512108	CONTROL, TERMOSTATO 195°F	1
4	0512185	PERNO, TUERCA EXAGONAL, 1/4-20 X 3/8" SS	1
5	0508817	TAPÓN, 1/8" SST	1
6	0512926	MANGUERA, PARA LLENAR EL CALENTADOR	1
7	110562	TERMOSTATO, ALTO – LÍMITE, FIJO 240°F	1
8	0712835	TANQUE, CALENTADOR	1
9	0503679	ABRAZADERA, 7/16" SST	5
10	107417	MANGUERA, 1/2" ID	A/R
11	0512968	TE	1
12	108954	TUERCA, AGARRADERA DE NYLON 6-32"	2
13	0512920	UNION, TERMOSTATO DE CALENTADOR	1

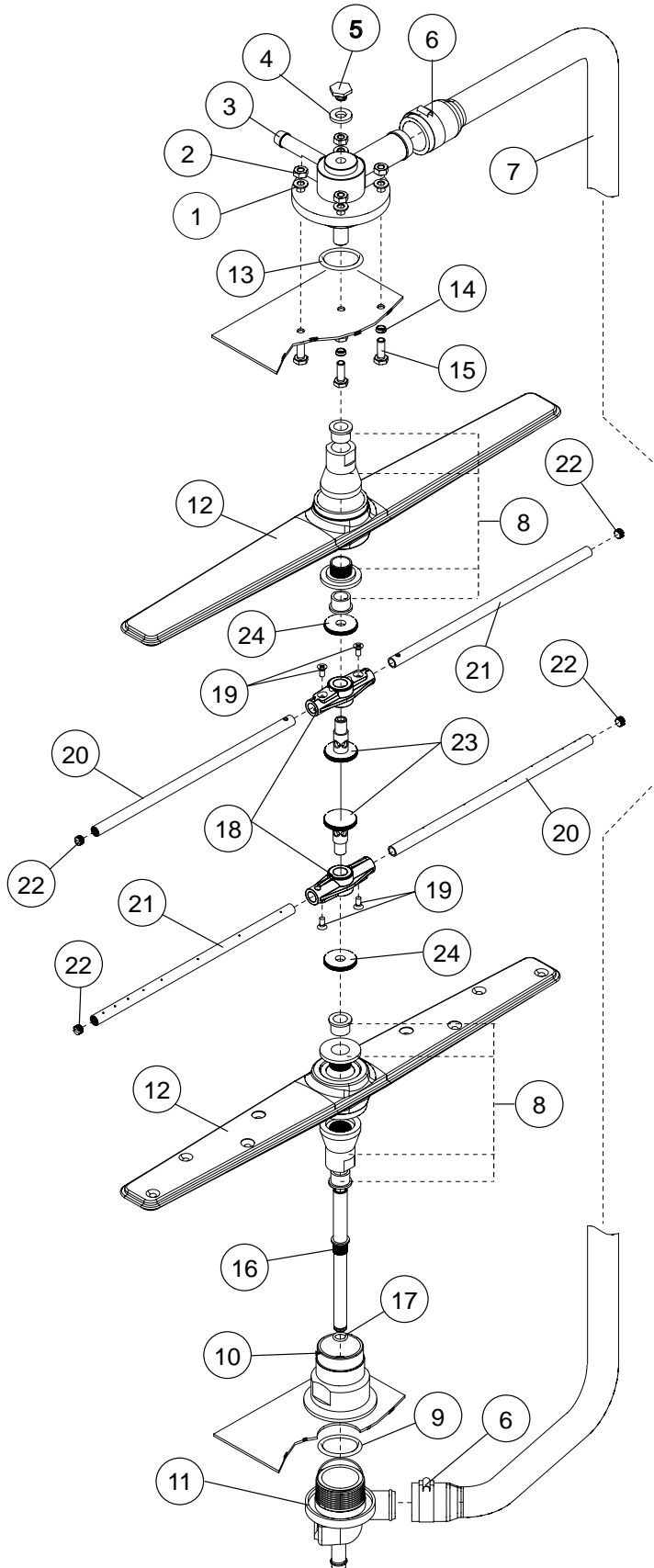


<b>Item No.</b>	<b>Partes No.</b>	<b>Descripción</b>	<b>Cantidad.</b>
1	0507323	TERMOSTATO, TANQUE DE LAVADO	1
3	0512108	TERMOSTATO, CALENTADOR 195°F	1
4	0312909	PANEL, CONTROL	1
5	C120444	CONTACTOR, 25/40A, 3P, 220V BOBINA	1
6	0504951	BLOQUE, TERMINAL	1
7	0503745	TORNILLO, RH 8-32 X 3/16" RANURA SST	4
8	0512969	TEMPORIZADOR, TARJETA DE CIRCUITO	1
9	CM0082006	SEPARADOR, TARJETA DE CIRCUITO. NYLON	4
10	0509428-1	INTERRUPTOR DE RELEVO, 15 AMP	1
11	0503620	TORNILLO, RH, 4-40 X 3/16" RANURA SST	4
12	0501450	TORNILLO, NIBS RH 6-32 X 3/16" ESTRELLA. SST	4
13	0512934	ETIQUETA, LAVADO – ENJUAGUE, TEMPERATURA	1
14	CM0082007	TAPA, SEPARADOR, TARJETA DE CIRCUITO. NYLON	4



<b>Item No.</b>	<b>Partes No.</b>	<b>Descripción</b>	<b>Cantidad.</b>
1	0312959	PANEL, FRONTAL, IUH 351	1
2	0512958	ETIQUETA, FRONTAL, IUH 351	1
3	0513075	INTERRUPTOR DPDT 250V NEON IUH 351	1
4	0512216	CAJA, INTERRUPTORES	2
5	0512217	CAJA, INTERRUPTORES	2
6	0512218	BOTÓN, INTERRUPTOR (VERDE)	1
7	0512232	LUZ, INDICADOR LED, 2VDC (VERDE)	1
8	H160121	MANGUERA, 4.1 ft / 125cm	1
9	H450134	CLIP, MANGUERA	2
10	109835	TORNILLO, #8 1/2" ESTRELLA .T/A AUTORROSCANTE	1
11	H31171	INTERRUPTOR, DE PRESIÓN	1
12	0501408	TORNILLO, RANURA DE ARMADURA, 8-32 X 1/4" SST	2
13	0512320	EMPAQUE, VAPOR	2

Montaje de los Brazos Rocíadores para Lavar y Enjuagar

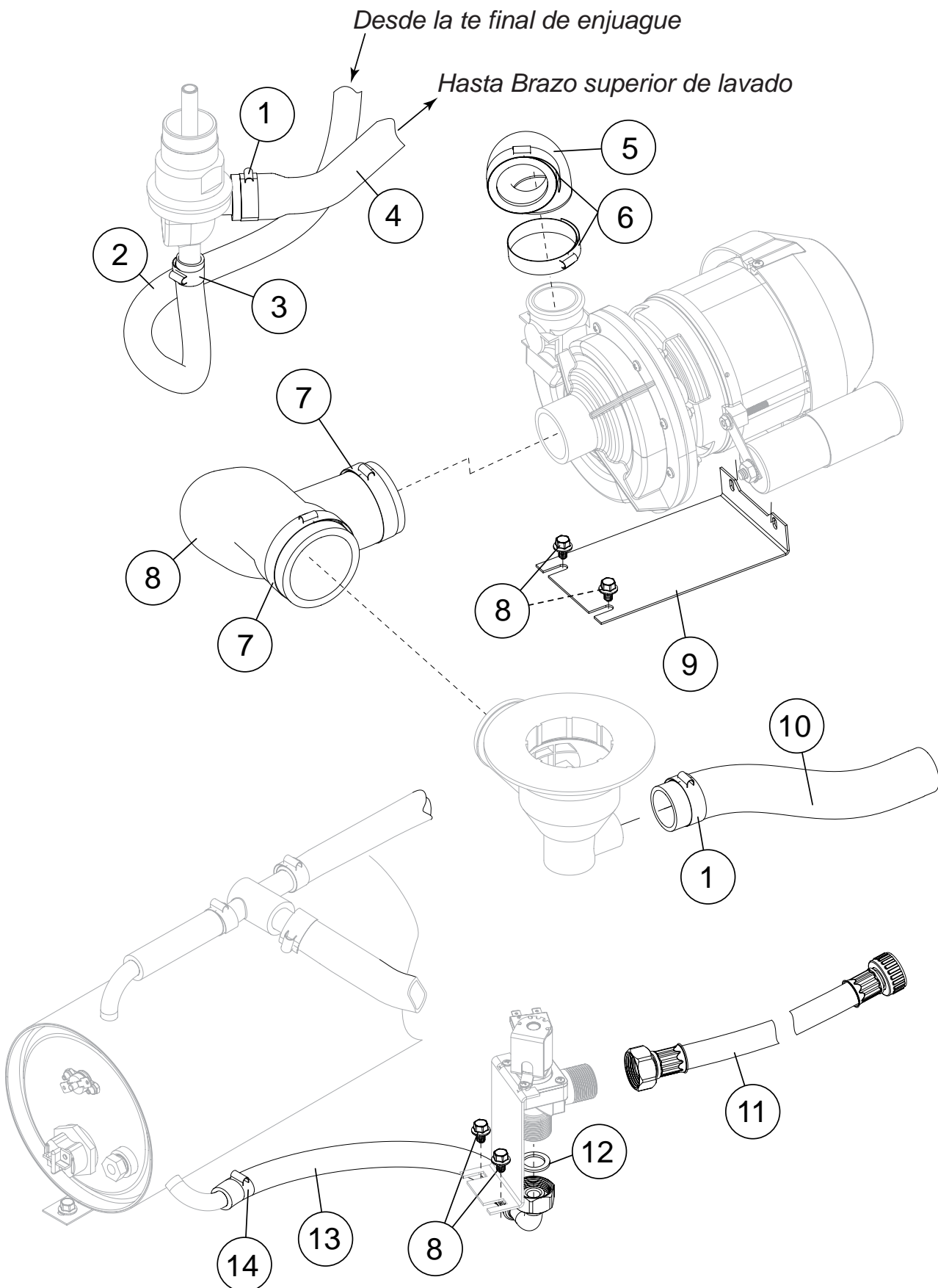


Item No.	Partes No.	Descripción	Cantidad.
1	0501478	ARANDELA, 17/64 id X 9/16" OD SST	4
2	107967	TUERCA, EXAGONAL 1/40-20 INSERTADO, NYLON SST	4
3	H35509	CUBO DE BRAZO DE LAVADO, ARRIBA	1
4	107873	ARANDELA, EMPAQUE	1
5	110215	TORNILLO, RETENEDOR	1
6	0502571	CLAMP, HOSE GEAR 1-1/2" SST	2
7	0512120	ABRAZADERA, MANGUERA 1-1/2" SST	1
8*	0712749	BALINERAS DE ENSAMBLE	2
9	0512133	O-ANILLO, 2-1/8" OD X 1-3/4" ID X 3/16"	1
10	0512066	CUBO DE LA BRAZO DE LAVADO, ABAJO	1
11	0512918	COLECTOR, ABAJO FWR	1
12	H420548	ENSABLE, BRAZO DE LAVADO (Incluye Item 8 )	2
13	0512133	O-ANILLO, 2-1/8" OD X 1-3/4" ID X 3/16"	1
14	0501481	ARANDELA, NYLON	4
15	100738	TORNILLO, 1/4-20 X 1" SST	4
16	0512124	EJE, INFERIOR	1
17	0512239	O - ANILLO	1
18	0312840	CUBO, BRAZO DE ENJUAGUE, MOLDEADO	2
19	0501408	TORNILLO, RANURA DE ARMADURA 8-32 X 1/4" SST	4
20	0512841	BRAZO, MANO – DERECHA DE ROCIADO (7 CHORROS)	2
21	0512842	BRAZO, MANO - IZQUIERDA DE ROCIADO (8 CHORROS)	2
22	0512843	TAPA, BRAZO DE ENJUAGUE, 5/16-24	4
23	H36275	HUSO, BRAZO DE ROCIADO	2
24	H34998	ESPACIADOR, TUERCA	2
---	0712834	ENSAMBLADOR, BRAZOS DE ENJUAGUE (Incluye 18-24)	2

\* Nota:

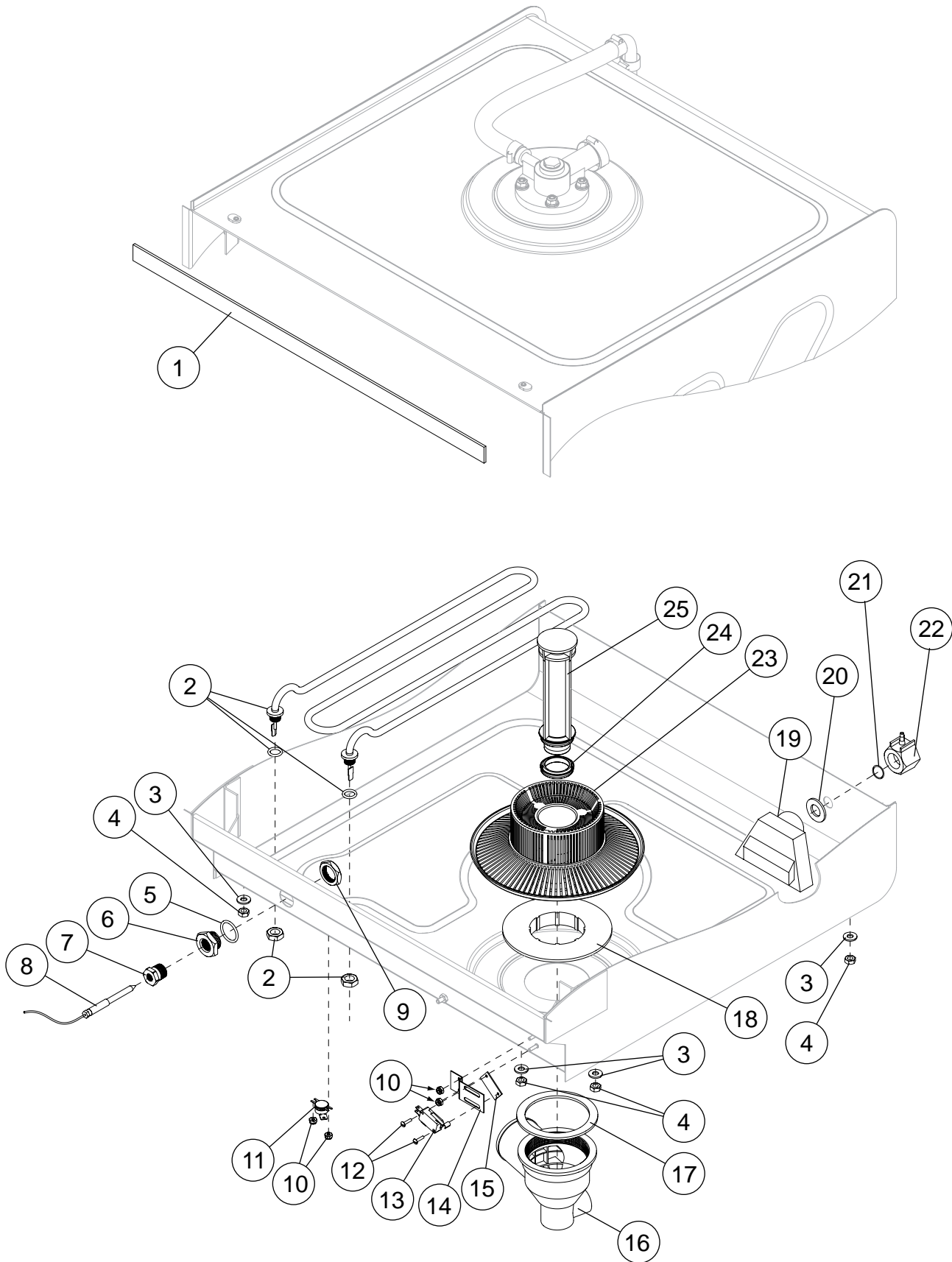
Ensamble de balinera, P/N 0712749 incluye 2 balineras, 1 contratuerca y 1 cubo de brazo de lavado. Las balineras, la contratuerca y cubo no están disponibles como piezas de repuesto de servicio independiente.

Montaje de las Mangueras de abajo



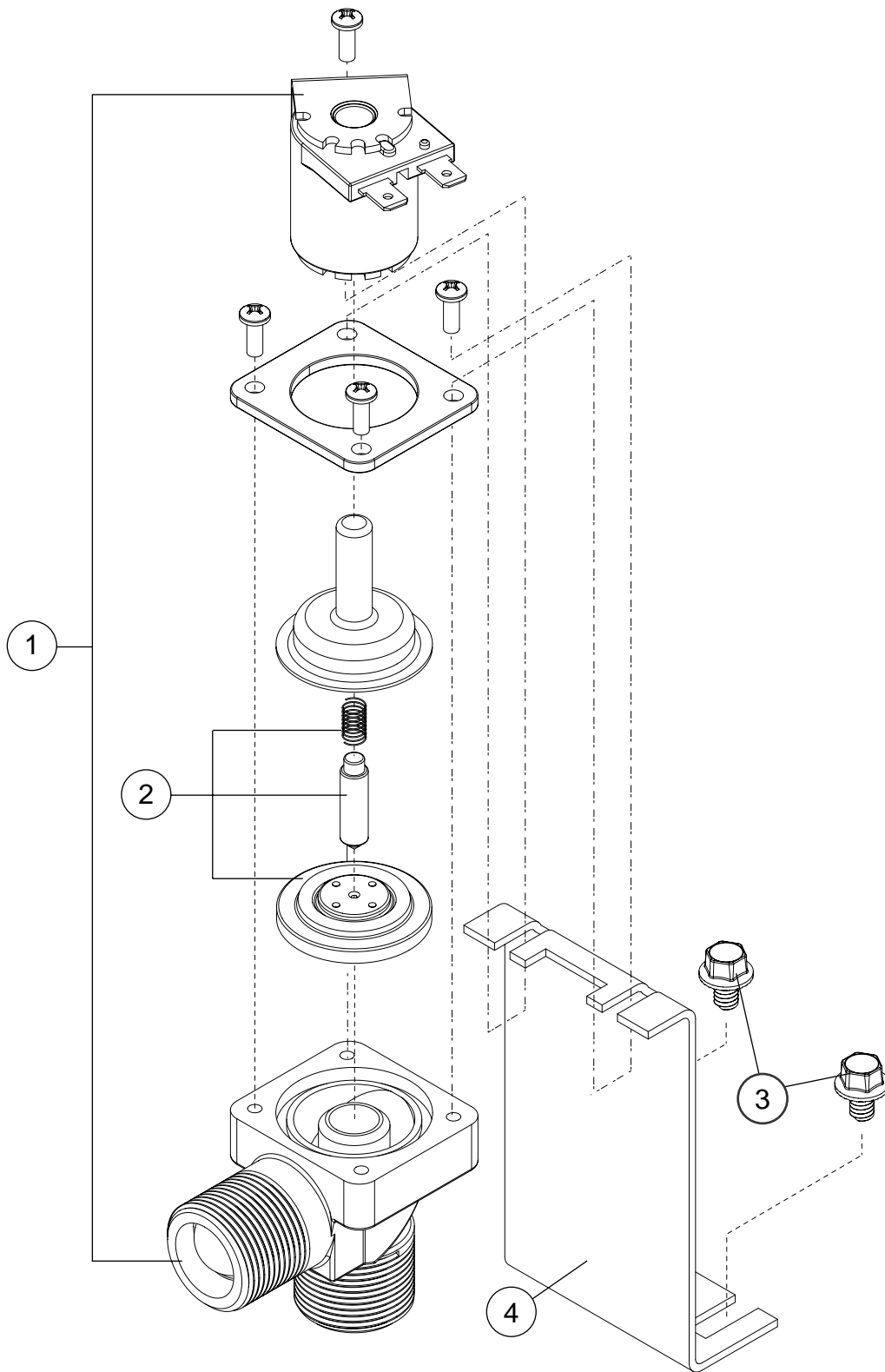
<b>Item No.</b>	<b>Partes No.</b>	<b>Descripción</b>	<b>Cantidad.</b>
1	0502563	ABRAZADERA, MANGUERA SST	2
2	107417	MANGUERA, CAUCHO 1/2" ID X .84" OD	A/R
3	0503679	ABRAZADERA, MANGUERA	1
4	0512120	MANGUERA, LAVADO SUPERIOR	1
5	0512119	MANGUERA, FLUJO, BOMBA DE LAVADO	1
6	0502571	ABRAZADERA, MANGUERA 1-1/2" SST	2
7	0512322	ABRAZADERA, MANGUERA 1-13/16" -2/34" MAX SST	2
8	0512885	MANGUERA, SUCCION, BOMBA DE LAVADO	1
9	0312144	SOPORTE, BOMBA DE LAVADO	1
10	0502668	MANGUERA, SUCCION DE LA BOMBA DE DESAGUE	1
11	0512925	MANGUERA, RELLENO 1/2" X 7' C/W FNPS	1
12	0512936	ARANDELA, SILICONA 5/8" ID X 7/8" OD	1
13	0512926	MANGUERA CALENTADOR RELLENO 1/2" X 1'	1
14	0502572	ABRAZADERA, MANGUERA 5/16"	1

*Calefacción para el Tanque de Lavado y Montaje de la Sifón*

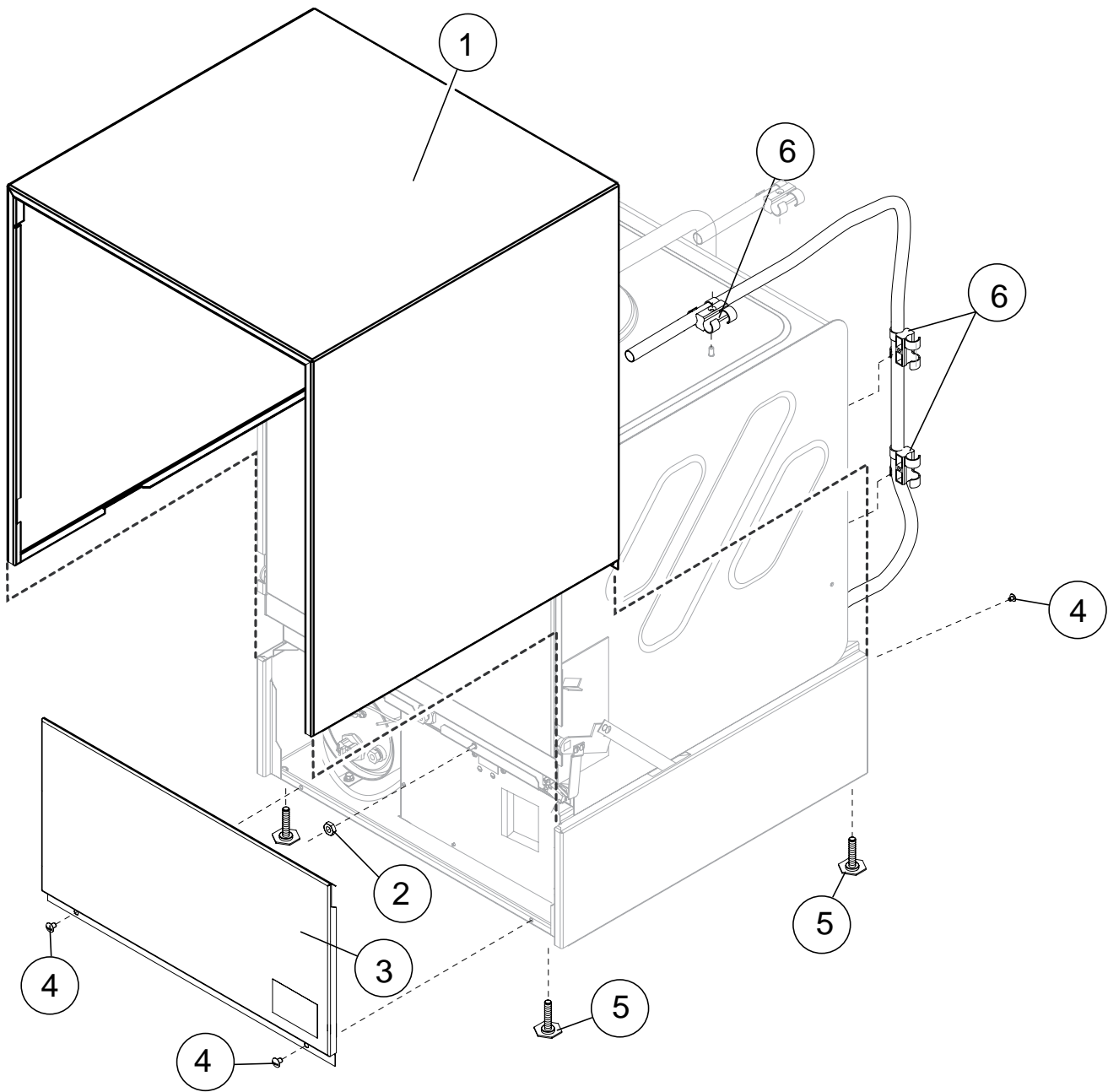


<b>Item No.</b>	<b>Partes No.</b>	<b>Descripción</b>	<b>Cantidad.</b>
1	0512930	PUERTA, EMPAQUE	1
2	0512846	RESISTENCIA, TANQUE DE LAVADO, 2KW, 240VAC	1
3	100003	ARANDELA, RAJA DE CIERRE 1/4" SST	4
4	0501539	TUERCA, EXAGONAL 1/4-20 SST	4
5	0501836	O - ANILLO	2
6	0508873	UNION, TERMOSTATO	1
7	0512920	UNION, TERMOSTATO	1
8	0507323	TERMOSTATO, TANQUE DE LAVADO	1
9	201029	TUERCA DE CIERRE 1/2	2
10	108954	TORNILLO, AGARRAR 6-32, INSERTADOS DE NYLON	4
11	113604	TERMOSTATO, LÍMITE – ALTO, FIJO 212°F	1
12	0501437	TORNILLO, 4-40 X 1/2" SST	2
13	0501379	INTERRUPTOR, PUERTA 15 AMP	1
14	0309228	SOPORTE, INTERRUPTOR	1
15	0312605	PLATO, INTERRUPTOR TUERCA	1
16	D500605	CODO, SUCCIÓN DE LA BOMBA	1
17	D80208	EMPAQUETADURA, CODO, SUCCIÓN DE LA BOMBA	1
18	D540088	FLANGE, SUCCIÓN DE LA BOMBA	1
19	H250110	TRAMPA. AIRE	1
20	H25263	EMPAQUE, PLANO	1
21	H25239	O - ANILLO	1
22	H25011	COVERTURA, TRAMPA DE AIRE	1
23	0512845	FILTRO, SIFON	1
24	0512879	TUBO, DESAGÜE-EXCESO DE FLUJO	1
25	0512844	SELLO, TUBO DE DESAGÜE-EXCESO DE FLUJO	1

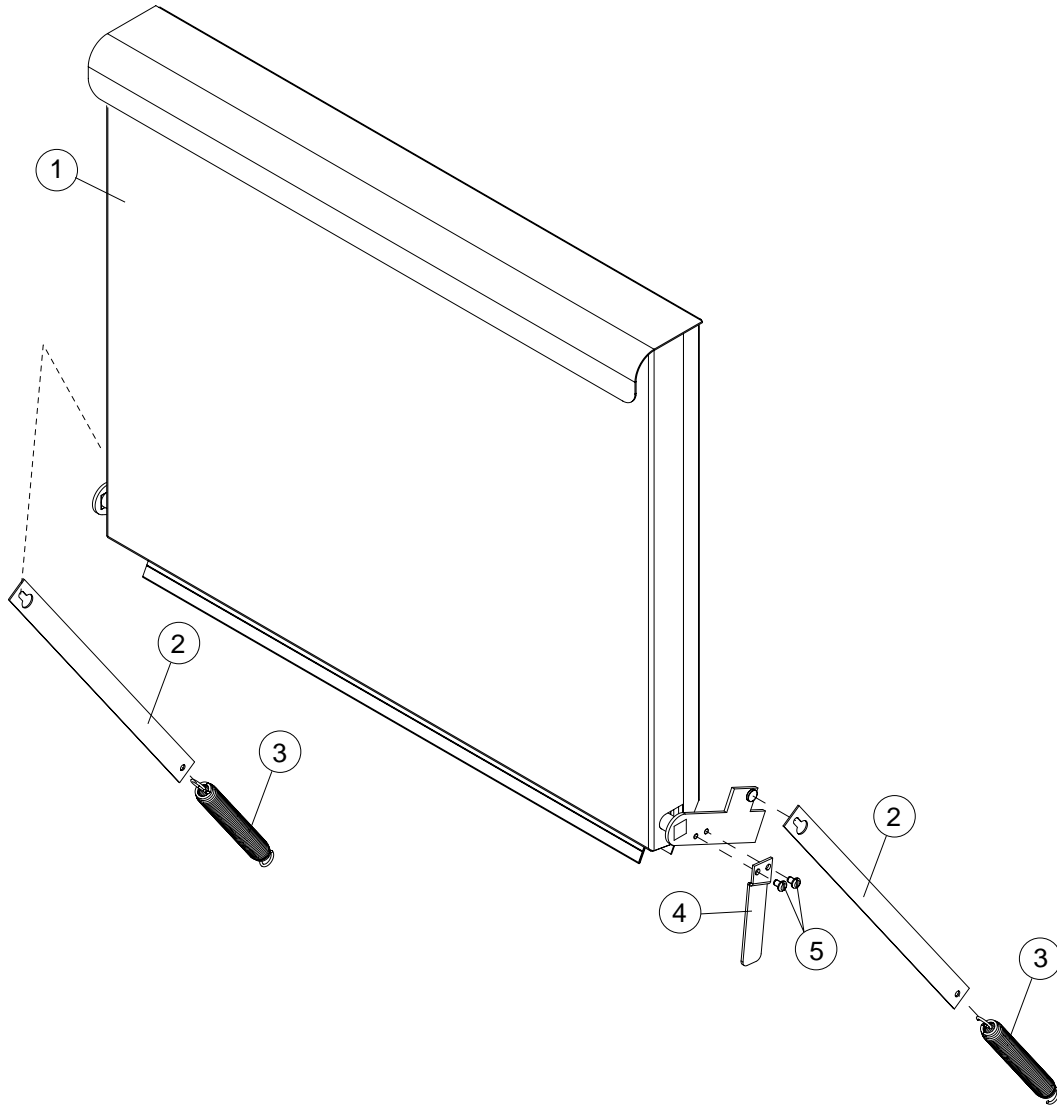
Montaje de Válvula Solenoide para Rellenar



<b>Item No.</b>	<b>Partes No.</b>	<b>Descripción</b>	<b>Cantidad.</b>
1	0512853-1	VALVULA, AGUA ENTRANTE 220VAC/60/1 (Incluye Item 2)	1
2	0512860	CAJA DE REPARACION, VALVULA SOLENOIDE	A/R
3	0512185	TORNILLO, RANURA EXAGONAL 1/4-20 X 3/8" SST	2
4	0312893	SOPORTE, VALVULA	1

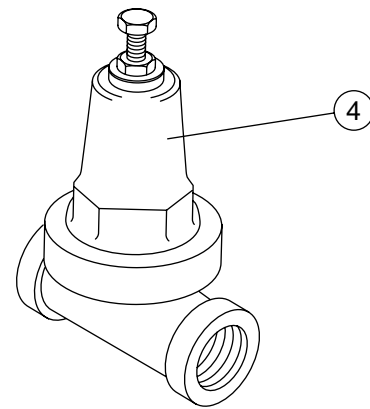
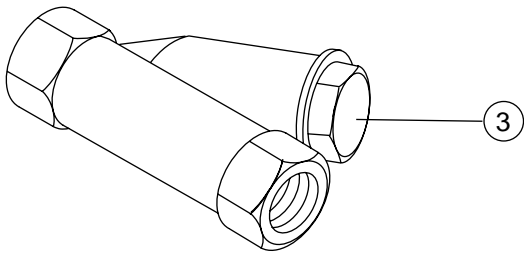
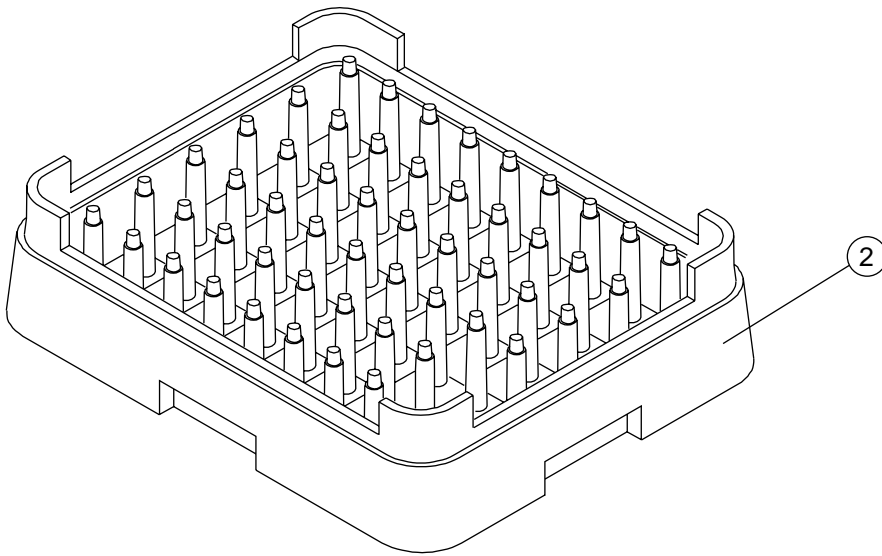
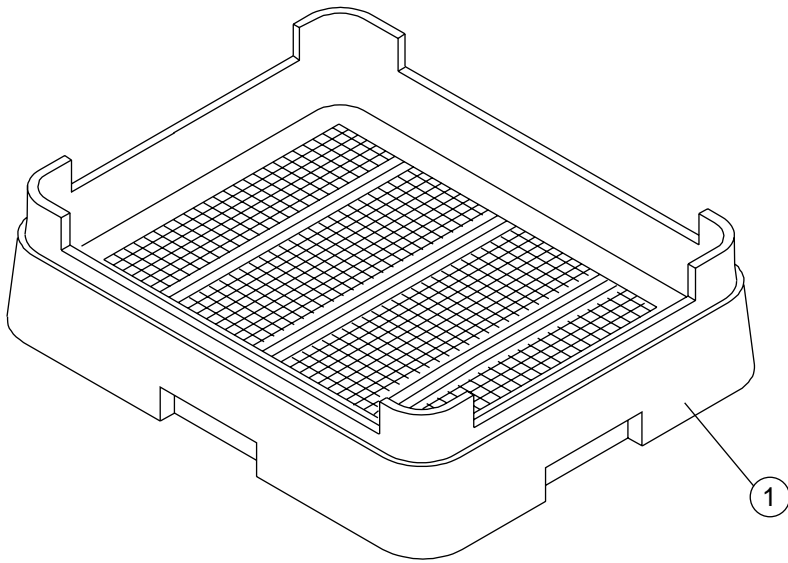


<b>Item No.</b>	<b>Partes No.</b>	<b>Descripción</b>	<b>Cantidad.</b>
1	0312905	EMBOLTURA, PANEL EXTERIOR	1
2	<a href="#">0503718</a>	PIE, AJUSTAMIENTO	4
3	0312960	PANEL, FRONTAL 351HT E	1
4	<a href="#">100007</a>	TORNILLO RANURA DE PALA SS 10-32X3/8	4
5	<a href="#">0503718</a>	PIES, AJUSTEBLES	4
6	<a href="#">0512761</a>	TORNILLO, RANURA DE PALA 10-32-3/8" SST	3

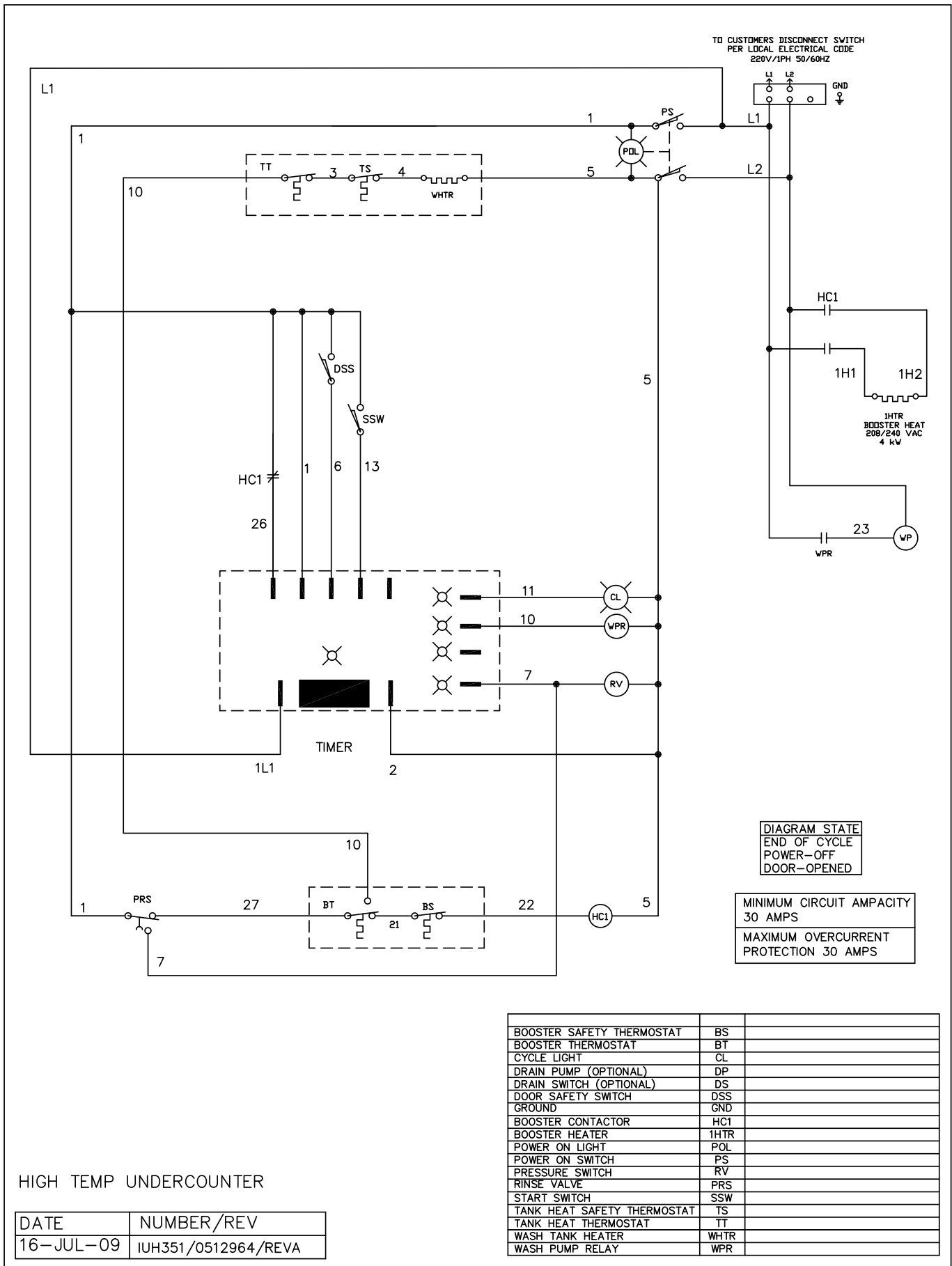


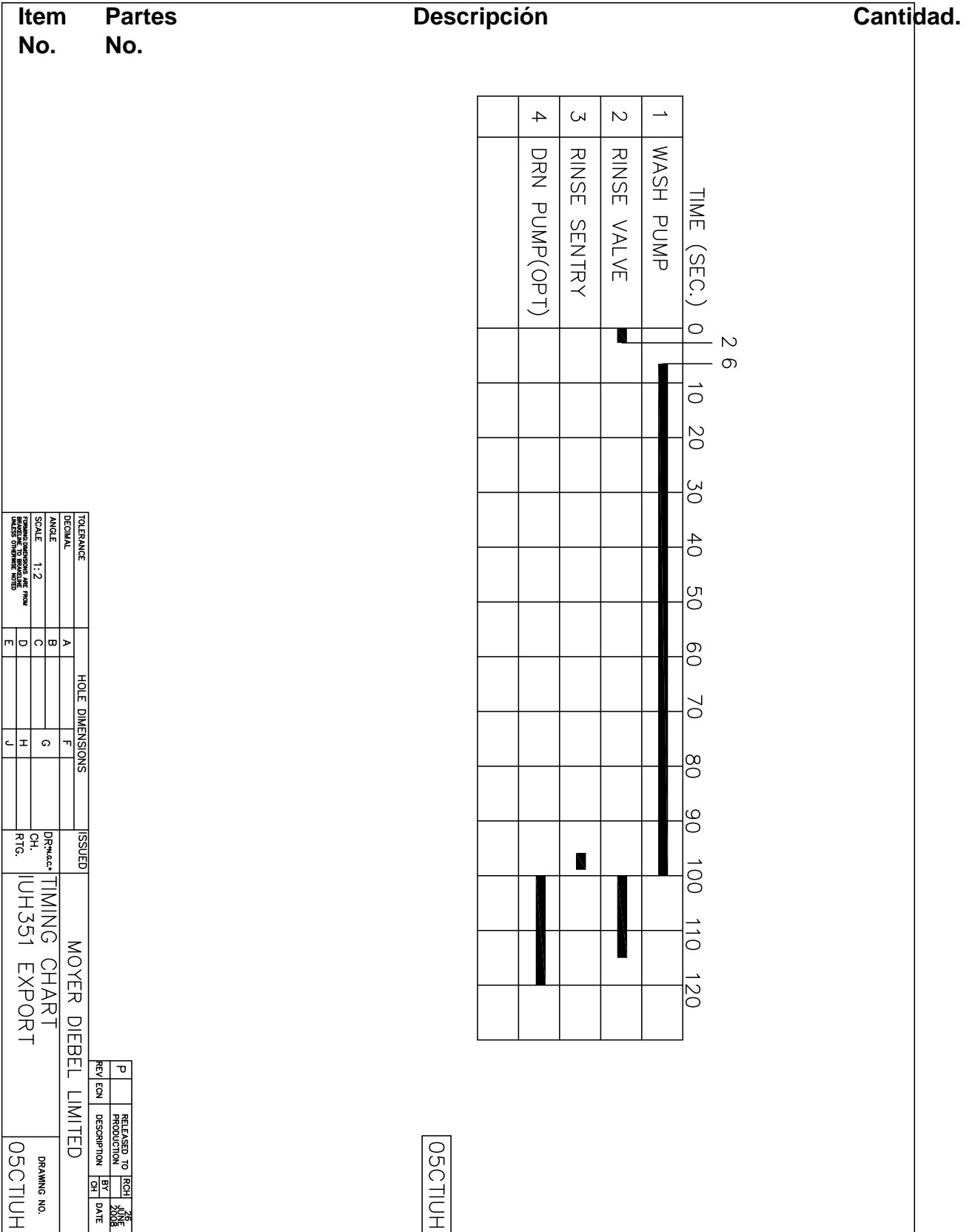
<b>Item No.</b>	<b>Partes No.</b>	<b>Descripción</b>	<b>Cantidad.</b>
1	<a href="#">0713141</a>	PUERTA, ENSAMBLE	1
2	<a href="#">0312892</a>	BRAZO, RESORTE DE PUERTA	2
3	<a href="#">0512854</a>	RESORTE, PUERTA	2
4	<a href="#">0312908</a>	ACTUADOR, INTERRUPTOR DE PUERTA	1
5	<a href="#">0503745</a>	TORNILLO, 8-32 X 3/16" ESTRELLA. SST	2

*Bandeja de Platos, Filtro de Línea y Reguladora de Presión*



<b>Item No.</b>	<b>Partes No.</b>	<b>Descripción</b>	<b>Cantidad.</b>
1	<a href="#">101273</a>	CANASTA DE PLATOS, DE FONDO PLANO	AR
2	<a href="#">101285</a>	CANASTA DE PLATOS, DE SOPORTE	AR
3	<a href="#">104421</a>	FILTRO, LINEA 1/2" BRONZE (OPCIONAL)	1
4	<a href="#">108265</a>	VALVULA, PRESION REGULATORIA (PRV) (OPCIONAL)	1





TOLERANCE		HOLE DIMENSIONS		ISSUED	
DECIMAL	A	F		DR: +acc	MOYER DIEBEL LIMITED TIMING CHART IUH351 EXPORT
ANGLE	B	G		CH	
SCALE 1:2	C	H		RTG.	
DRAWING TO BE RELEASED FROM THIS OFFICE ONLY		D			DRAWING NO.
		E	J		05CTIUH

P	RELEASED TO PRODUCTION	BY	DATE
REV	DESCRIPTION	CH	

***Esta Página  
Intencionalmente se ha  
Dejado en Blanco***