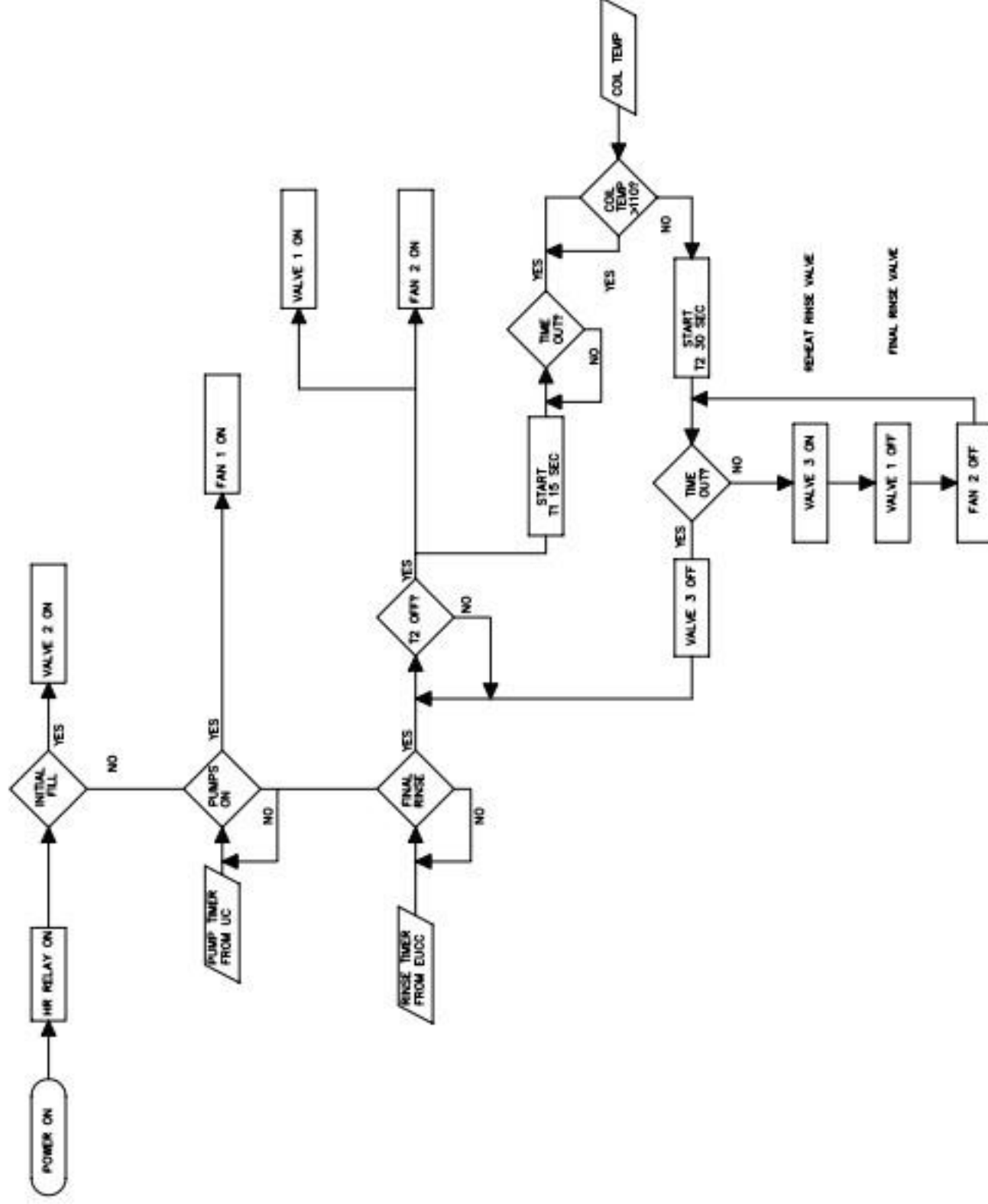
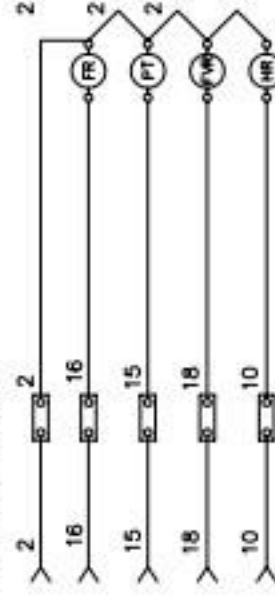


ONE LINE DIAGRAM FOR HEAT RECOVERY UNIT (HRU)  
MODELS - EUCC4, EUCC8, EUCC6, EEUCC8, EEUCC6, EEUCC4

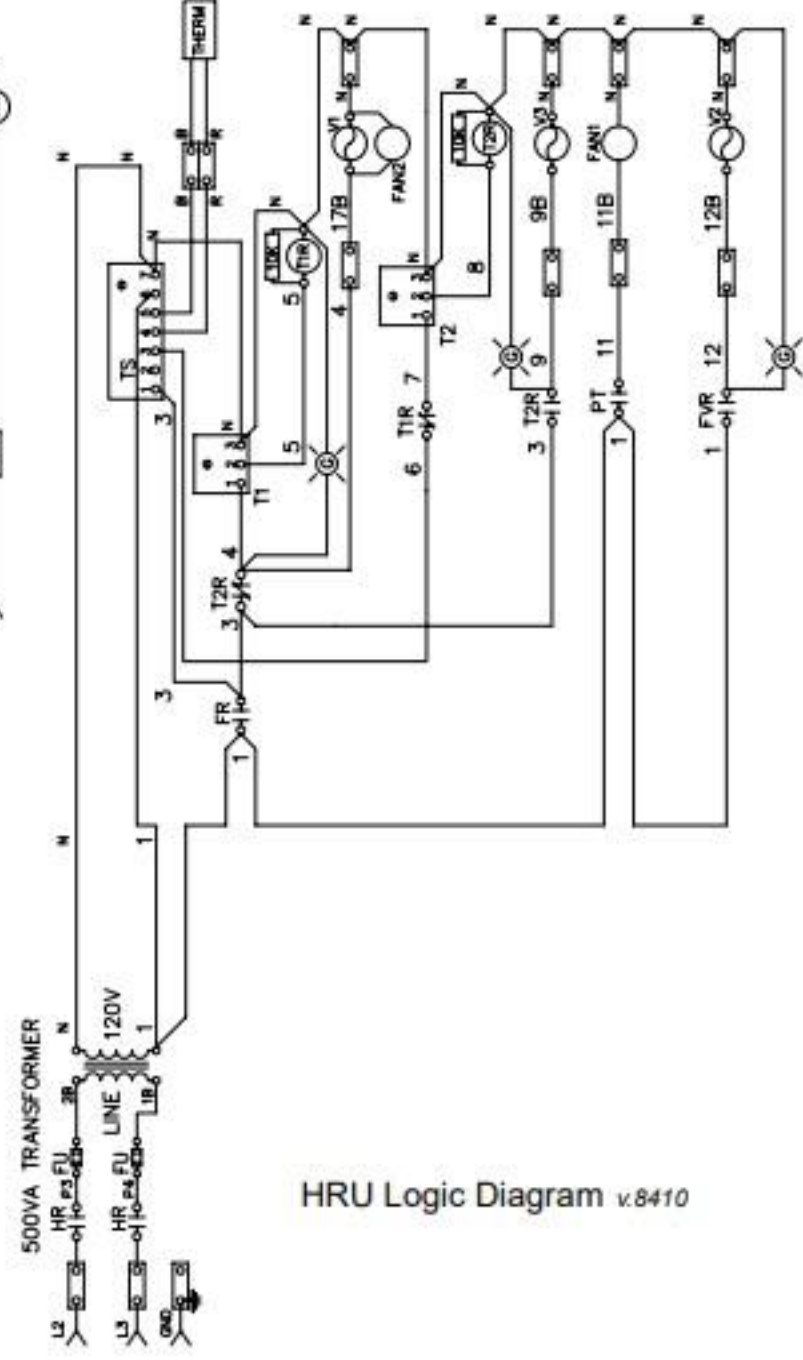
LOGIC FLOW DIAGRAM FOR HEAT RECOVERY UNIT  
 MODELS - EUCC8, EUCC6, EUCCWB, EUCCWB6



WIRING DIAGRAM FOR HEAT RECOVERY UNIT



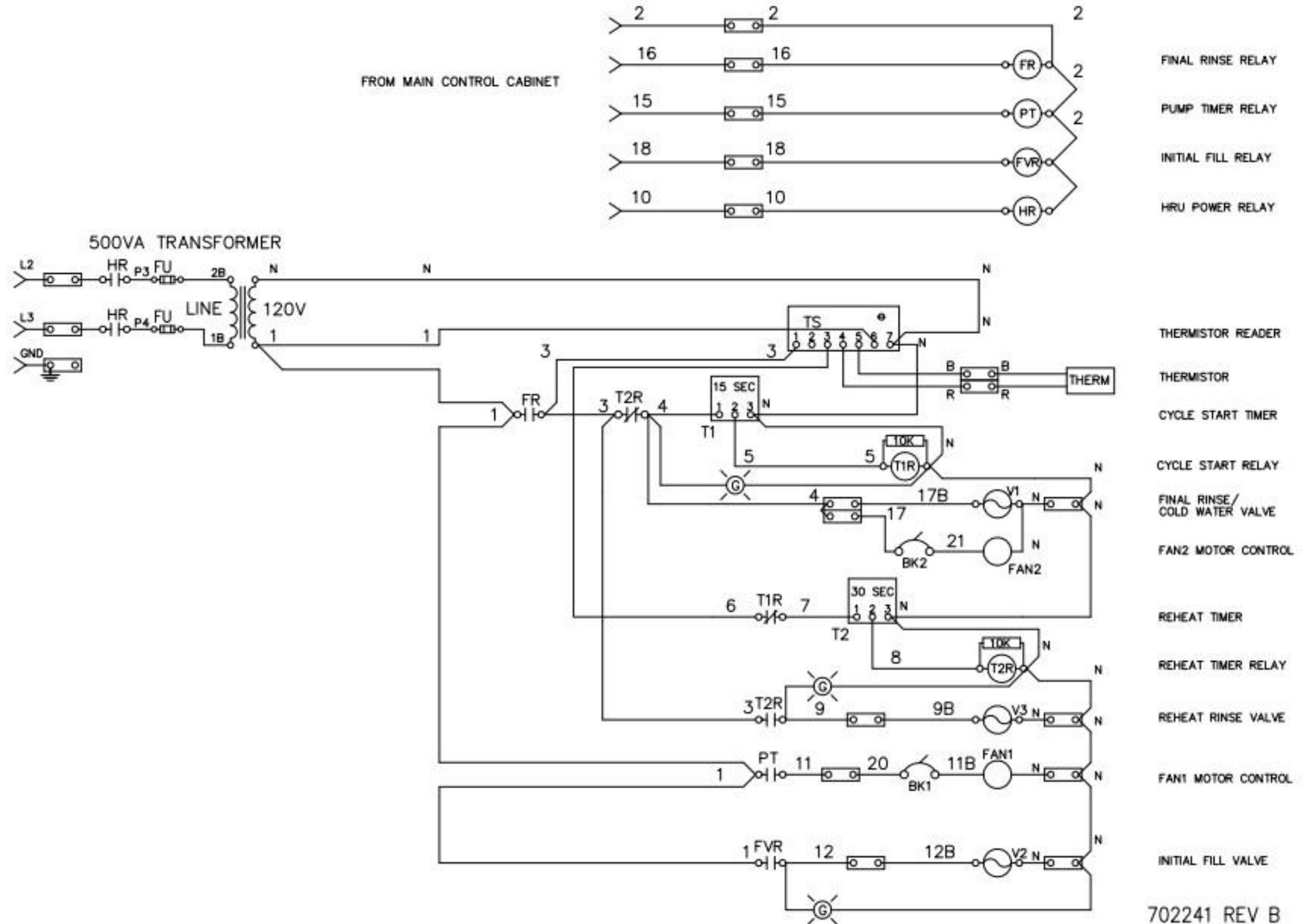
- FINAL RINSE RELAY
- PUMP TIMER RELAY
- INITIAL FILL RELAY
- HRU POWER RELAY



- THERMISTOR READER
- THERMISTOR
- CYCLE START TIMER
- CYCLE START RELAY
- FINAL RINSE VALVE
- FAN2 MOTOR CONTROL
- REHEAT TIMER
- REHEAT TIMER RELAY
- REHEAT RINSE VALVE
- FAN1 MOTOR CONTROL
- INITIAL FILL VALVE

HRU Logic Diagram v.8410

WIRING DIAGRAM FOR HEAT RECOVERY UNIT



702241 REV B