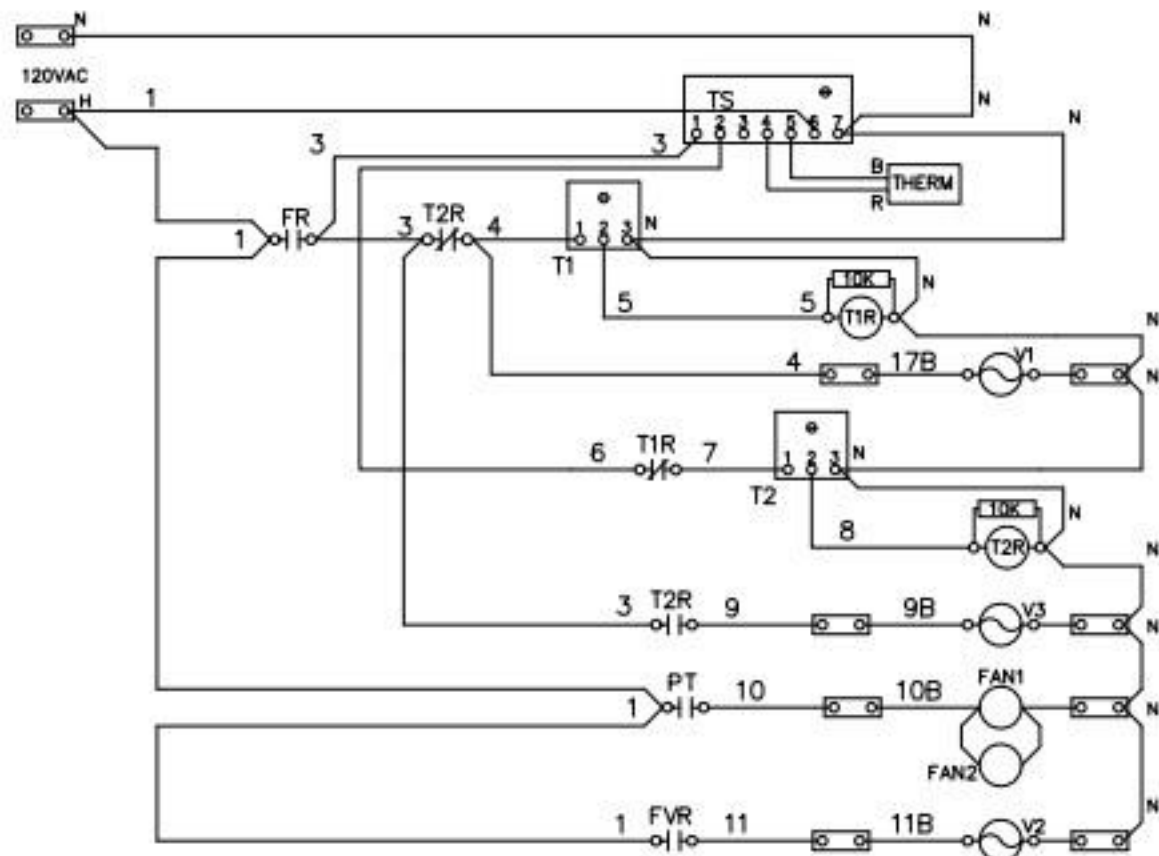
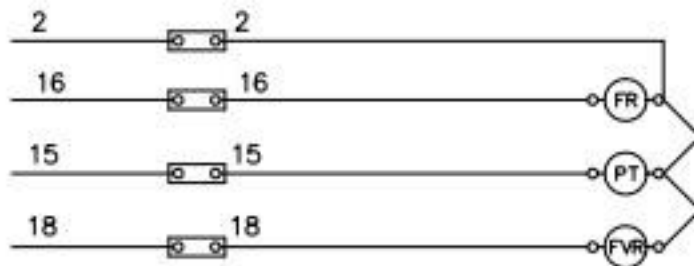


FROM MAIN CONTROL CABINET



THERMISTOR READER

CYCLE START TIMER

CYCLE START RELAY

FINAL RINSE VALVE

REHEAT TIMER

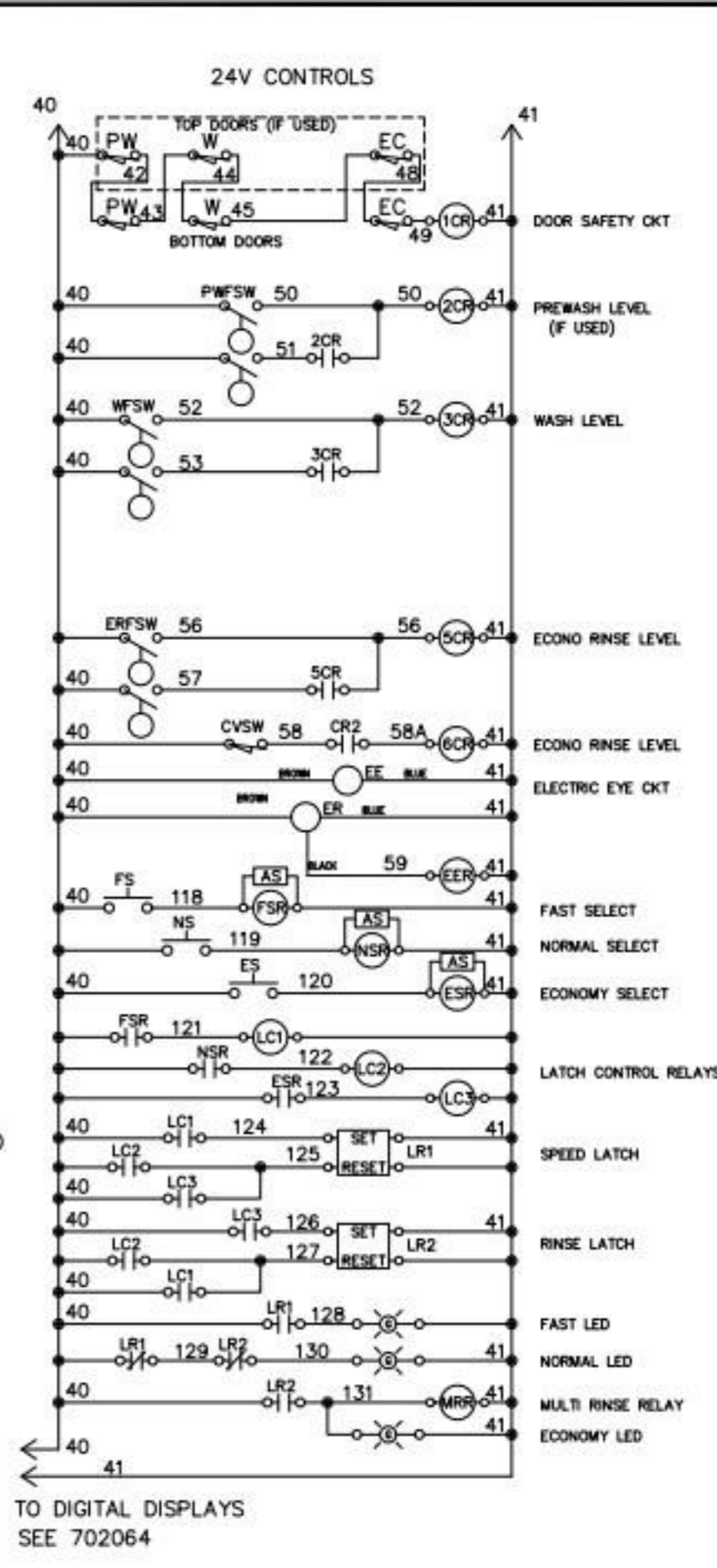
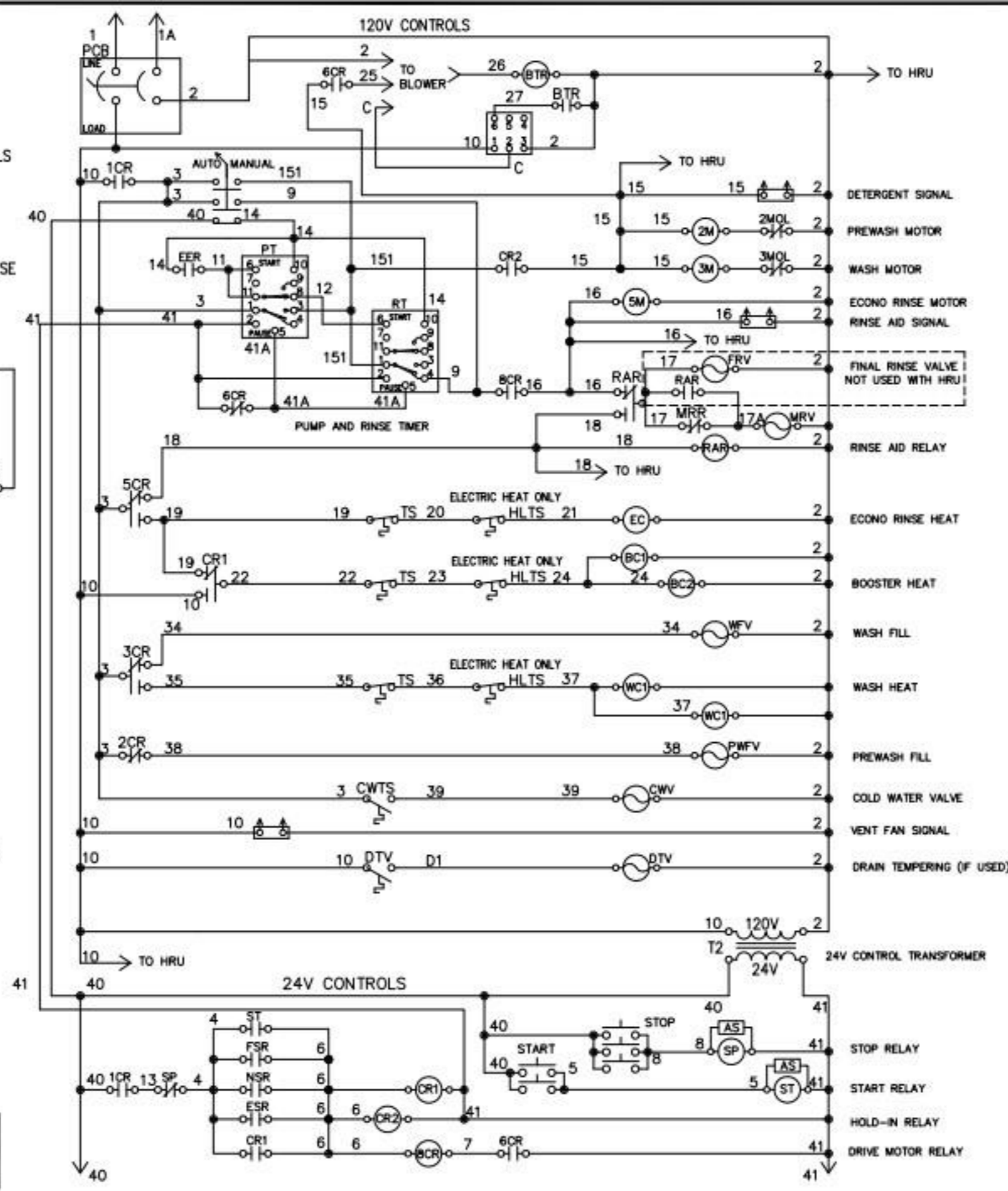
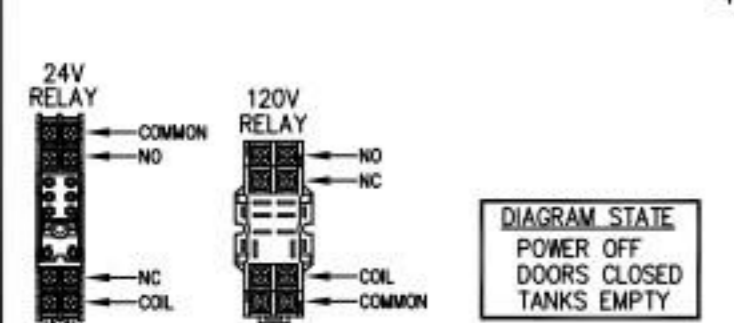
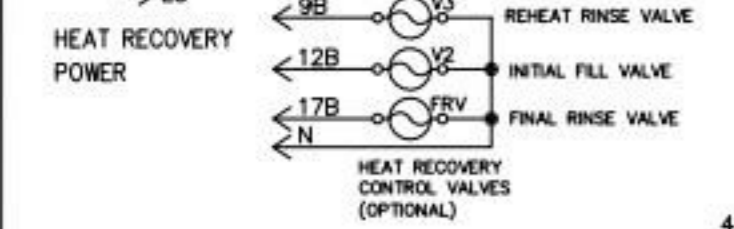
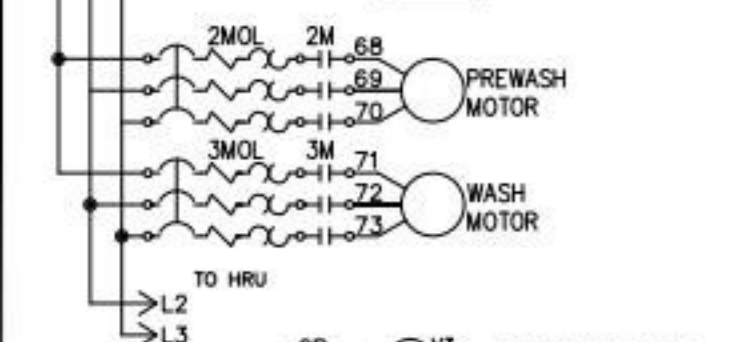
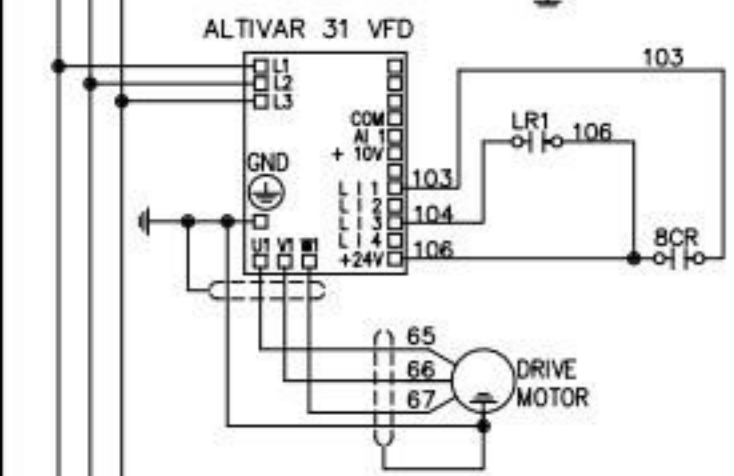
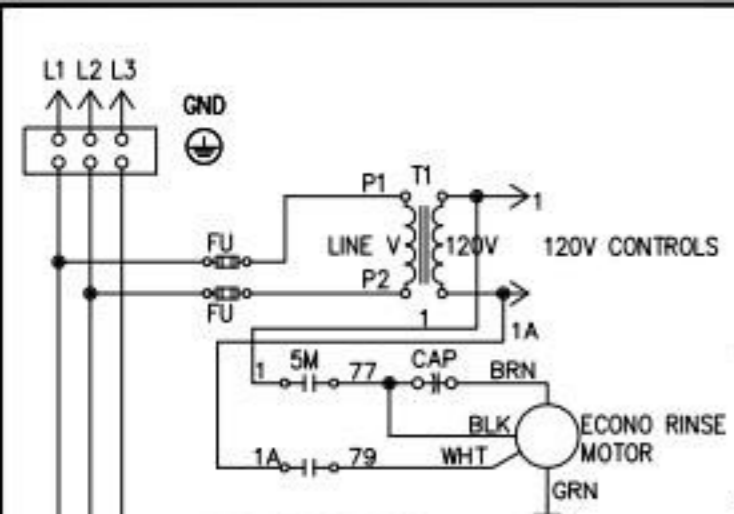
REHEAT TIMER RELAY

REHEAT RINSE VALVE

FAN MOTOR CONTROL

INITIAL FILL VALVE

702229 REV 0



TO DIGITAL DISPLAYS  
SEE 702064





