

# Champion®



## Installation/Operation Manual with Service Replacement Parts



EEUCCW-8



EEUCCW-6



EEUCCW-4

### E<sup>2</sup>series High Temperature Upright Conveyor Dishwasher

Models:

#### EEUCCW

29" wide conveyor with a 4', 6', or 8' center section

Dishwasher Serial No.



3765 Champion Boulevard  
Winston-Salem, NC 27105  
336/661-1556 Fax: 336/661-1660  
www.championindustries.com

2674 N. Service Road,  
Jordan Station Ontario, Canada L0R 1S0  
905/562-4195 Fax: 905/562-4618



Issue Date: 10.10.10

**Manual P/N 114593 rev. C**

Beginning with S/N J09062644 and above

Printed in the USA



For future reference, record your dishwasher information in the box below.

|                                  |                    |            |
|----------------------------------|--------------------|------------|
| Model Number_____                | Serial Number_____ |            |
| Voltage_____                     | Hertz_____         | Phase_____ |
| Champion Service Agent _____     | Tel: _____         |            |
| Champion Parts Distributor _____ | Tel: _____         |            |

**ATTENTION:**

The dishwasher model no., serial no., voltage, Hz and phase are needed to identify your machine and to answer questions.

Please have this information on-hand if you call for service assistance.



For all models:

The data plate mounts to one side of the top-mounted control cabinet.

**National Service Department**



**In Canada:**

Toll-free: 800/ 263-5798  
Tel: 905/ 562-4195  
Fax: 905/ 562-4618  
email: [service@moyerdiebellimited.com](mailto:service@moyerdiebellimited.com)



**In the USA:**

Toll-free: 800/ 858-4477  
Tel: 336/ 661-1556  
Fax: 336/ 661-1660  
email: [service@championindustries.com](mailto:service@championindustries.com)

# **REGISTER YOUR PRODUCT ONLINE**

*Make sure you are connected to the internet then enter the address below.*

**In the U.S.A**

**<http://www.championindustries.com/register>**

**In Canada**

**<http://www.championindustries.com/canada/register>**

**Champion<sup>®</sup>**

The Dishwashing Machine Specialists

# PRODUCT REGISTRATION BY FAX

**COMPLETE THIS FORM AND FAX TO:**

**(336) 661-1660 in the USA**

**1-(800) 204-0109 in Canada**

## PRODUCT REGISTRATION CARD

Model

Serial #

Date of Installation: \_\_\_/\_\_\_/\_\_\_

Company Name: \_\_\_\_\_

Address: \_\_\_\_\_  
(Street) Province Postal Code

Telephone #: ( ) \_\_\_\_\_ --- \_\_\_\_\_

Contact: \_\_\_\_\_

Installation Company: \_\_\_\_\_

Address: \_\_\_\_\_

Telephone #: \_\_\_\_\_

Contact: \_\_\_\_\_

**FAILURE TO REGISTER YOUR PRODUCT MAY VOID YOUR WARRANTY**

**IMPORTANT IMPORTANT**

## Revision History

A revision might be a part number change, new instructions, or information that was not available at print time. We reserve the right to make changes to these instructions without notice and without incurring any liability by making the changes. Dishwasher owners may request a revised manual, at no charge, by calling 1 (800) 858-4477 in the USA or by calling 1 (800) 263-5798 in Canada.

| <b>Revision Date</b> | <b>Revised Pages</b> | <b>Serial Number Effectivity</b> | <b>Revision Description</b>     |
|----------------------|----------------------|----------------------------------|---------------------------------|
| 8/6/09               | All                  | J09062644                        | Released first edition          |
| 10/6/09              | 128-129              | J09062644                        | Revised clutch P/N's            |
| 12/6/09              | 62-71                | J09062644                        | Added standpipe gaskets         |
| 10/10/10             | 74-75                | J09062644                        | Added float switches            |
|                      | 86-91                | J09062644                        | Revised electric booster piping |
|                      | 100                  | J10092820                        | Revised hot water coil assy.    |
|                      | 147                  | J09062644                        | Revised VFD part numbers        |
|                      | 174-175              | J09062644                        | Added tank baffle assy.         |
|                      | 182-187              | J09062644                        | Added swing-out door assys.     |

## LIMITED WARRANTY

Champion Industries Inc. (herein referred to as Champion), P.O. Box 4149, Winston-Salem, North Carolina 27115, and P.O. Box 301, 2674 N. Service Road, Jordan Station, Canada, L0R 1S0, warrants machines, and parts, as set out below.

**Warranty of Machines:** Champion warrants all new machines of its manufacture bearing the name "Champion" and installed within the United States and Canada to be free from defects in material and workmanship for a period of one (1) year after the date of installation or fifteen (15) months after the date of shipment by Champion, whichever occurs first. [See below for special provisions relating to glasswashers.] The warranty registration card must be returned to Champion within ten (10) days after installation. If warranty card is not returned to Champion within such period, the warranty will expire after one year from the date of shipment.

Champion will not assume any responsibility for extra costs for installation in any area where there are jurisdictional problems with local trades or unions.

If a defect in workmanship or material is found to exist within the warranty period, Champion, at its election, will either repair or replace the defective machine or accept return of the machine for full credit; provided; however, as to glasswashers, Champion's obligation with respect to labor associated with any repairs shall end (a) 120 days after shipment, or (b) 90 days after installation, whichever occurs first. In the event that Champion elects to repair, the labor and work to be performed in connection with the warranty shall be done during regular working hours by a Champion authorized service technician. Defective parts become the property of Champion. Use of replacement parts not authorized by Champion will relieve Champion of all further liability in connection with its warranty. In no event will Champion's warranty obligation exceed Champion's charge for the machine. The following are not covered by Champion's warranty:

- a. Lighting of gas pilots or burners.
- b. Cleaning of gas lines.
- c. Replacement of fuses or resetting of overload breakers.
- d. Adjustment of thermostats.
- e. Adjustment of clutches.
- f. Opening or closing of utility supply valves or switching of electrical supply current.
- g. Cleaning of valves, strainers, screens, nozzles, or spray pipes.
- h. Performance of regular maintenance and cleaning as outlined in operator's guide.
- i. Damages resulting from water conditions, accidents, alterations, improper use, abuse, tampering, improper installation, or failure to follow maintenance and operation procedures.
- j. Wear on Pulper cutter blocks, pulse vanes, and auger brush.

*Examples of the defects not covered by warranty include, but are not limited to:* (1) Damage to the exterior or interior finish as a result of the above, (2) Use with utility service other than that designated on the rating plate, (3) Improper connection to utility service, (4) Inadequate or excessive water pressure, (5) Corrosion from chemicals dispensed in excess of recommended concentrations, (6) Failure of electrical components due to connection of chemical dispensing equipment installed by others, (7) Leaks or damage resulting from such leaks caused by the installer, including those at machine table connections or by connection of chemical dispensing equipment installed by others, (8) Failure to comply with local building codes, (9) Damage caused by labor dispute.

**Warranty of Parts:** Champion warrants all new machine parts produced or authorized by Champion to be free from defects in material and workmanship for a period of 90 days from date of invoice. If any defect in material and workmanship is found to exist within the warranty period Champion will replace the defective part without charge.

**DISCLAIMER OF WARRANTIES AND LIMITATIONS OF LIABILITY. CHAMPION'S WARRANTY IS ONLY TO THE EXTENT REFLECTED ABOVE. CHAMPION MAKES NO OTHER WARRANTIES, EXPRESS OR IMPLIED, INCLUDING, BUT NOT LIMITED, TO ANY WARRANTY OF MERCHANTABILITY, OR FITNESS OF PURPOSE. CHAMPION SHALL NOT BE LIABLE FOR INCIDENTAL OR CONSEQUENTIAL DAMAGES. THE REMEDIES SET OUT ABOVE ARE THE EXCLUSIVE REMEDIES FOR ANY DEFECTS FOUND TO EXIST IN CHAMPION DISHWASHING MACHINES AND CHAMPION PARTS, AND ALL OTHER REMEDIES ARE EXCLUDED, INCLUDING ANY LIABILITY FOR INCIDENTALS OR CONSEQUENTIAL DAMAGES.**

Champion does not authorize any other person, including persons who deal in Champion Dishwashing machines to change this warranty or create any other obligation in connection with Champion Dishwashing Machines.

# Table of Contents

## Upright Conveyor Dishwasher

|  |            |
|--|------------|
| <i>Revision History</i> .....          | <i>i</i>   |
| <i>Limited Warranty</i> .....          | <i>ii</i>  |
| <i>Model Description</i> .....         | <i>iv</i>  |
| <b>Installation</b> .....              | <b>1</b>   |
| <b>Operation</b> .....                 | <b>25</b>  |
| <b>Cleaning</b> .....                  | <b>41</b>  |
| <b>Troubleshooting</b> .....           | <b>46</b>  |
| <b>Service Replacement Parts</b> ..... | <b>47</b>  |
| <b>Electrical Schematics</b> .....     | <b>191</b> |

EEUCCW

Electric high temperature flight-type conveyor dishwasher with built-in electric booster in 40°F/22°C rise or an optional 70°F/39°C rise booster.

Multi-Speed conveyor speed controls and Digital Temperature Display

Steam high temperature flight-type conveyor dishwasher with built-in steam booster in 40°F/22°C rise or an optional 70°F/39°C rise booster.

Multi-Speed conveyor speed controls and Digital Temperature Display.

*The installation, and initial start-up of your dishwasher must be performed by qualified electricians, plumbers, and authorized service technicians trained in commercial dishwashers.*

*Champion provides authorized factory trained service agents to supervise the assembly and initial start-up of your dishwasher.*

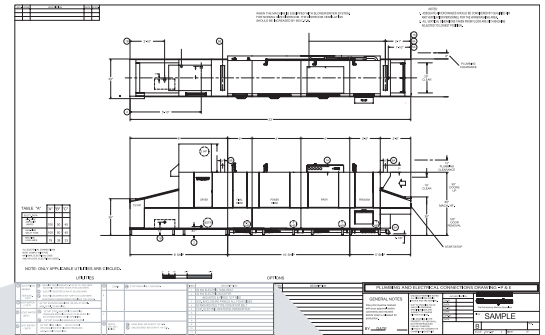
*Defects and repairs caused by unauthorized installers will not be covered by the dishwasher warranty.*

# Installation

## Plumbing and Electrical Diagram (P & E)

1. A Plumbing and Electrical Diagram, the P&E, was prepared and approved for the installation of the dishwasher prior to shipment. The P&E contains important information detailing the location and requirements for the utility connections required for the installation of the dishwasher.
2. The P&E should be used as a guide when inspecting the installation site and in the placement of the dishwasher sections.
3. A sample P&E is shown below.

| PLUMBING AND ELECTRICAL CONNECTIONS DRAWING - P & E  |  |   |  |
|--|--|---|--|
| <b>GENERAL NOTES</b><br><br>One print must be marked with your approval and/or comments and returned before order is released for production.<br><br>BY <u>    </u> DATE <u>    </u> | UNLESS OTHERWISE NOTED ALL DIMENSIONS ARE IN INCHES AND ARE NOMINAL.<br><br>DUE TO ONGOING VALUE ANALYSIS PROGRAM, SPECIFICATIONS ARE SUBJECT TO CHANGE WITHOUT NOTICE.<br><br>THIS DRAWING IS THE PROPERTY OF AND SHALL NOT BE REPRODUCED FOR ANY PURPOSE WITHOUT THE CONSENT OF CHAMPION INDUSTRIES. | <b>AUTHENTICATION</b><br>DR. BY _____<br>DATE _____<br>CHK. BY _____<br>DATE _____<br>APP. BY _____<br>DATE _____ | <div style="text-align: center;"> <br/> <b>Champion</b><br/>                     The Dishwashing Machine Specialists                 </div> <div style="text-align: center; font-size: 24px; font-weight: bold; transform: rotate(-15deg); opacity: 0.5;">SAMPLE</div> <div style="display: flex; justify-content: space-between; align-items: center; margin-top: 10px;"> <span style="font-size: 18px; font-weight: bold;">B</span> <span style="font-size: 10px;">TITLE _____</span> <span style="font-size: 10px;">REV. _____</span> </div> <div style="display: flex; justify-content: space-between; align-items: center; margin-top: 5px;"> <span style="font-size: 10px;">SCALE: 1"=1'-0"</span> <span style="font-size: 10px;">1 SHEET OF</span> </div> |



### UTILITIES

| ITEM | DESCRIPTION  | ITEM | DESCRIPTION |
|------|--|------|-------------|
| 1    | 55 KW ELECTRIC TANK HEAT                           | 6    |             |
| 2    | 32 KW ELECTRIC BOOSTER (MOUNTED & PIPED) 70°F RISE | 7    |             |
| 3    | SST. ENCLOSURE PANELS ALL FOUR SIDES               | 8    |             |
| 4    | STANDARD PEG TYPE CONVEYOR BELT                    | 9    |             |
| 5    | 2 HP. ELECTRIC HEATED BLOWER/DRYER                 | 10   |             |
| 6    |  | 11   |             |
| 7    |  |      |             |
| 8    |  |      |             |
| 9    |  |      |             |
| 10   |  |      |             |
| 11   |  |      |             |

## **Installation**

### **Dishwasher Construction**

#### **Dishwasher Views:**

The standard methods for viewing your dishwasher are:

- Plan View - Viewed from above
- Front view - Viewed facing the top-mounted control cabinet switches.
- Side View - Viewed facing the load or unload sections.

1. The minimum distance from wall to dishwasher is 4" [103mm] to allow for utility connections.
2. The room ceiling height must be a minimum of 80" [2032mm] so the doors can be removed completely.
3. The installation of your dishwasher must be performed by qualified service personnel.
4. Problems due to improper installation are not covered by the Warranty.
5. Compare the utilities at the installation site with the specifications listed on each Plumbing and Electrical Connection Diagram (P&E).
6. The dishwasher data plate is located on the left-hand or right-hand side of the top-mounted control cabinet.
7. The conveyor direction of travel is referenced from the load section to the unload section.  
If the load section is on your right then direction of travel for the dishwasher is Right to Left, (R-L).
8. If the load section is on the left then the dishwasher is called a Left to Right, (L-R), dishwasher.

#### **Dishwasher Sections:**

1. Load - Soiled ware is sorted and loaded on the conveyor belt. Wares enter the dishwasher.
2. Prewash Tank - Soiled wares are sprayed to remove large particles and to loosen heavy food-soils.
3. Wash Tank - Wares are washed with hot water and detergent.
4. Power Rinse Tank - Wares are rinsed with hot water to remove detergent and any remaining food soils.
5. Auxiliary Rinse - Begins the hot water sanitization process.
6. Final Rinse - Completes the Hot water sanitization process.
7. Unload - Clean wares exit the dishwasher and flash dry on the conveyor belt.
8. Blower Dryer Option - Hot air is forced over wares to speed drying.
9. Heat Recovery Option - Hot air exhaust is recycled to raise the incoming water temperature for the final rinse booster reducing energy costs.

**Installation**

## Receiving

**NOTE:**

The installation of your dishwasher must be performed by qualified service personnel. Problems due to improper installation are not covered by the Warranty.

1. Inspect the outside of the Conveyor pallet for signs of damage.
2. inspect the Conveyor for damage.
3. Check for any accessories that may have shipped with your dishwasher.
4. Turn to the front of this manual and complete the warranty card. Immediately mail the warranty card to validate your warranty.
5. Move the Conveyor near its permanent location.

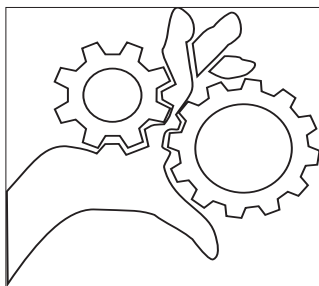
**CAUTION:**

Be careful when lifting and moving the Conveyor to prevent damage to the machine.

**NOTE:**

The installation of the Conveyor must comply with local safety and health codes.

6. Compare the installation site utility connections with the dishwasher utility connections and make sure that they are the same.
7. For new dishwasher installations, install the Dishwasher according to the instructions in the dishwasher service manual *Installation, Operation, and Service Replacement Parts*, which is shipped inside the dishwasher.

**WARNING:**

Moving Conveyor Parts may cause INJURY OR DEATH. Keep hands and clothing clear of the conveyor when the conveyor is moving.

USE EXTREME CAUTION WHEN THE CONVEYOR IS MOVING.

**WARNING:**

Electrocution or serious injury may result when working on an energized circuit.

Disconnect power at the main breaker or service disconnect switch before working on the circuit.

Lock-out and tag the breaker to indicate that work is being performed on the circuit.

## Installation

### Receiving (continued)

#### ATTENTION

Shipping pallets measure 48"/122cm wide. Standard 36"/92cm doorways often measure less than 35"/89cm in width.

1. Check the shipment for damage immediately upon receipt.
2. Upright conveyor dishwashers ship in sections.
3. Each section is wrapped in a protective covering and secured to a wooden pallet. Labels note the total number of sections shipped, 2 of 4, for example.
4. Fasteners, curtains, panels and other pieces are packed in cardboard boxes and secured to the wash/rinse section of the machine.
5. Inspect the route that the pallets must travel to the permanent location.
6. Measure all passageways and doors before moving the sections to ensure the route is clear.
7. Piping on the rear wall of the dishwasher can be removed to allow the dishwasher to pass through narrow openings if necessary.
8. Compare the location of the site utilities with the Plumbing and Electrical Connection Diagram, (P&E).
9. Make sure the utilities match the dishwasher requirements.



Each section is wrapped and the number of sections is marked on a label attached to each section.



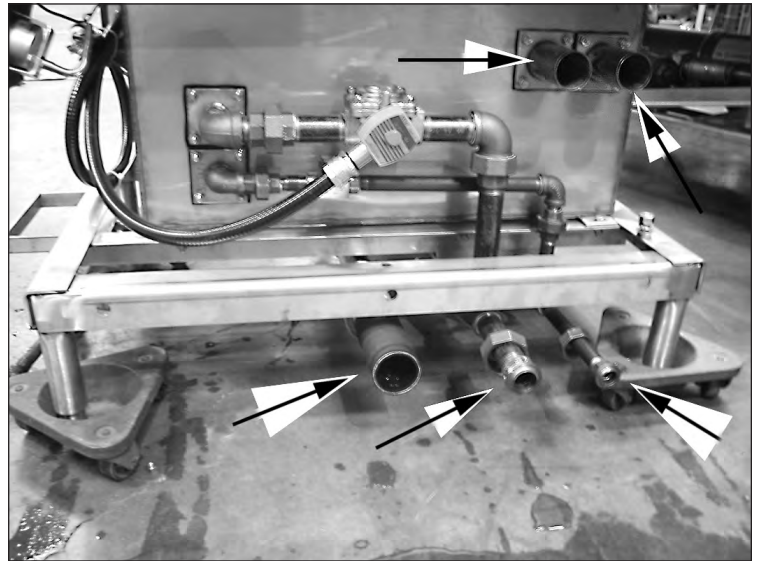
**Installation**

Receiving

**CAUTION**

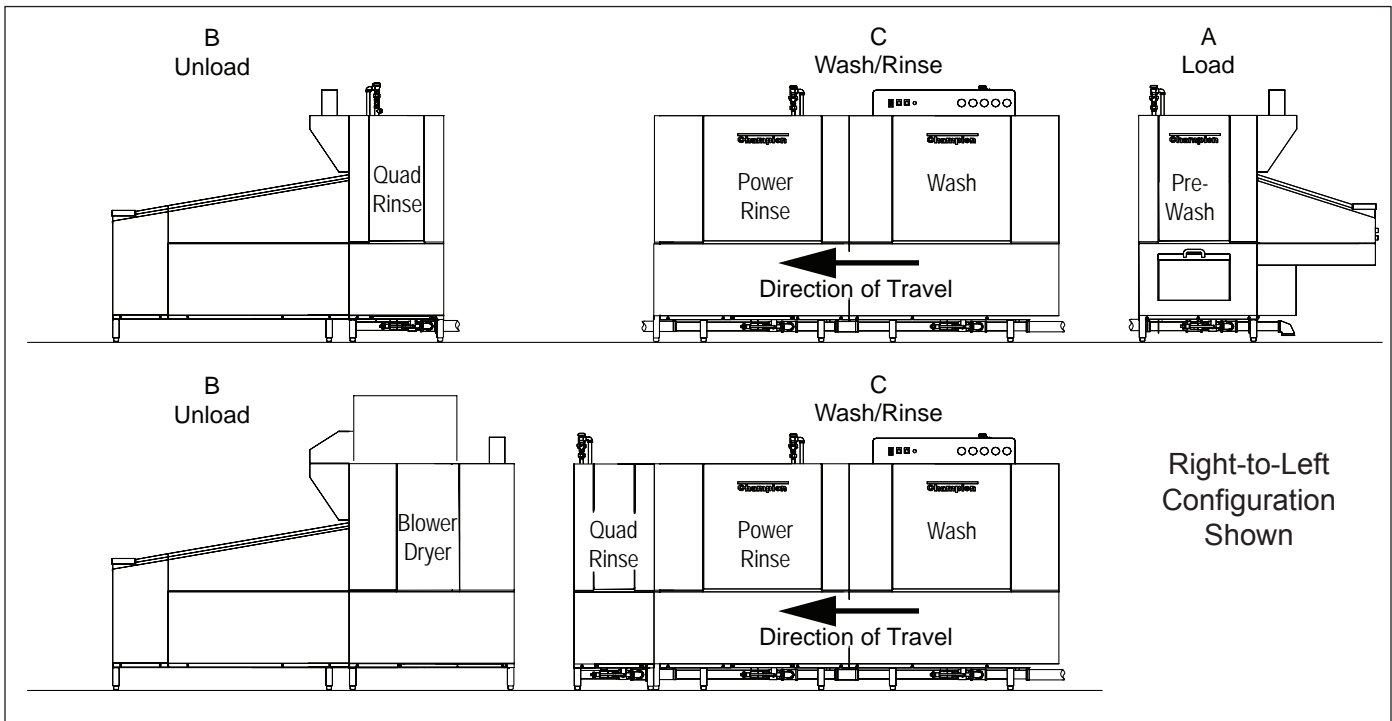
Use extreme care when lifting a section off its pallet to prevent damage to the dishwasher.

1. Check floor stability. Flooring must support the weight of the dishwasher without bowing when weight is applied.
2. Tiled floors may fracture if loads are dropped on or drug across its surface.
3. Move the pallet sections near their permanent locations. Remove protective coverings, shipping straps, brackets and accessories.
4. Inspect the underside of each section, (below the base) and note the position of piping, valves, and other components that may be in the way.
5. Carefully lift each section off the pallet. Screw the adjustable bullet-feet in as far as possible, then lower the section to the finished floor.
6. The recommended spacing between sections is 24"/61cm.



## Installation

### Joining the Sections



*The dishwasher is shipped in sections and reassembled at the installation site.*

Refer to the illustration above.

The dishwasher is broken into sections for shipping and then reassembled at the installation site. The main section of the dishwasher is the Wash/Rinse Section (C) which is made up of the wash tank and the power rinse tank. The Load Section (A) contains the prewash tank and the Unload Section (B) usually contains the quad rinse tank.

If the dishwasher has an Optional Blower Dryer Section then the quad rinse tank is shipped with the Wash/Rinse Section (C).

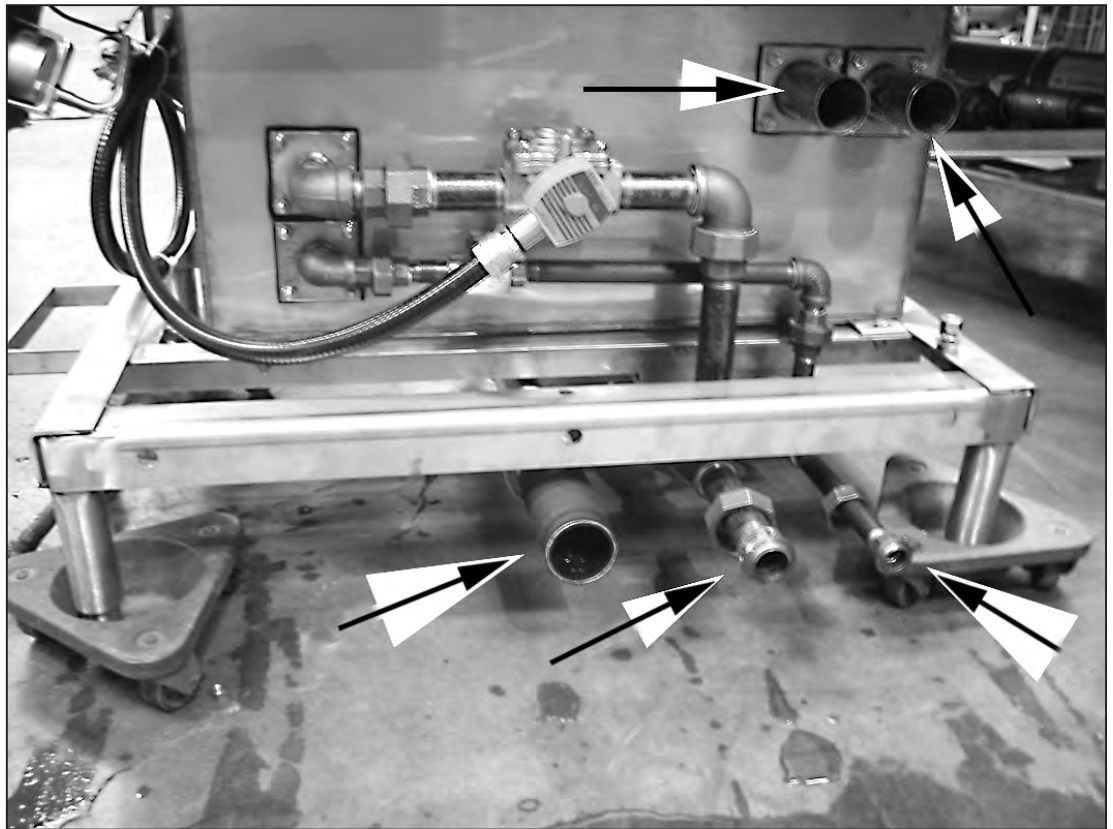
The instructions on the following pages explain how to join the machine sections.



*Remove the shipping braces.*

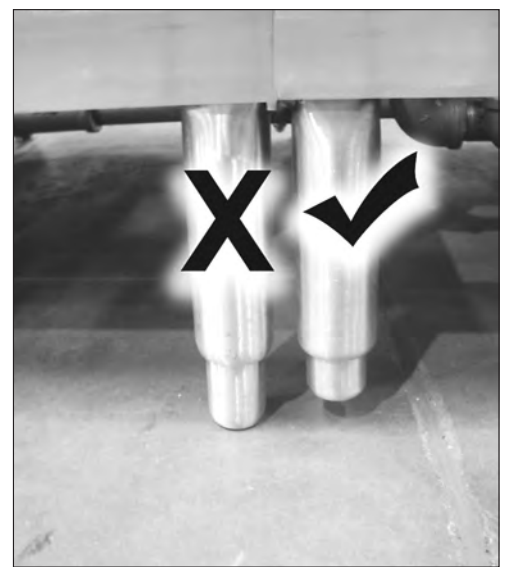
## Installation

### Joining the Sections



Identify piping..

1. Remove the shipping braces from the sections.
2. Identify the location of piping between the sections.
3. Check the height of each section and determine which section is the highest due to floor variations.
4. Set the "C" section and adjust to its minimum height.
5. Level the "C" section side to side and front to back in several places with a bubble level.
6. The remaining sections are leveled in relation to "C" section.
7. Do not adjust the "C" section too high.

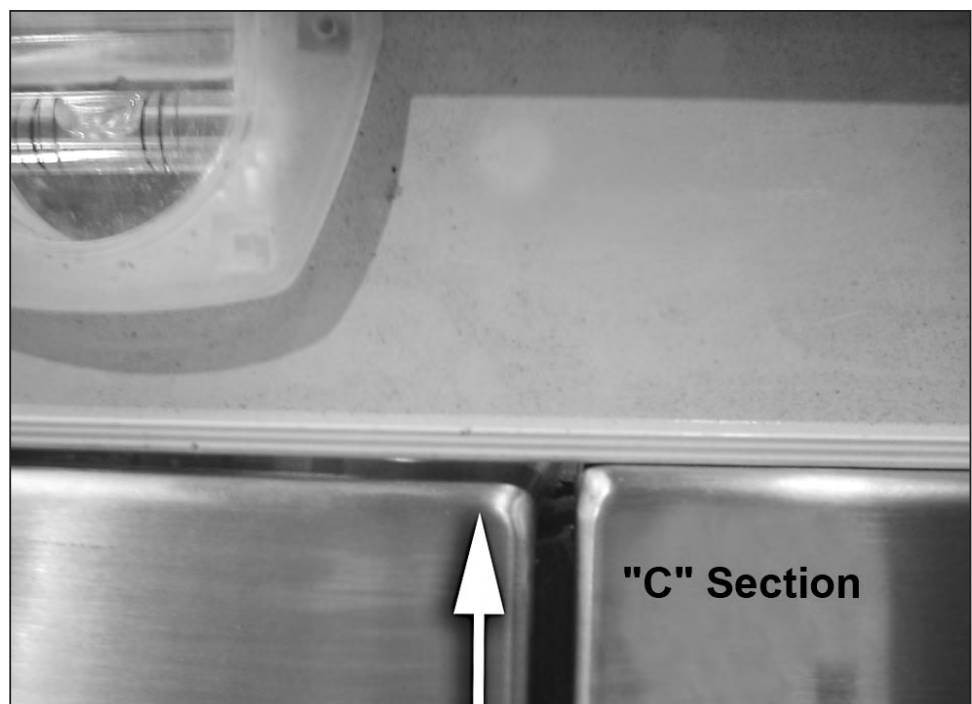
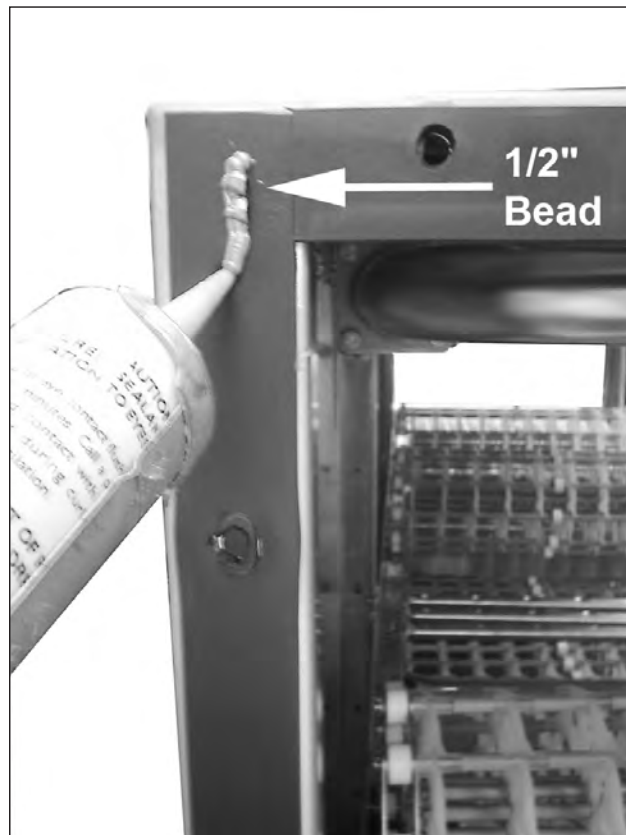


Start leveling the section with the bullet feet adjusted to a minimum height.

## Installation

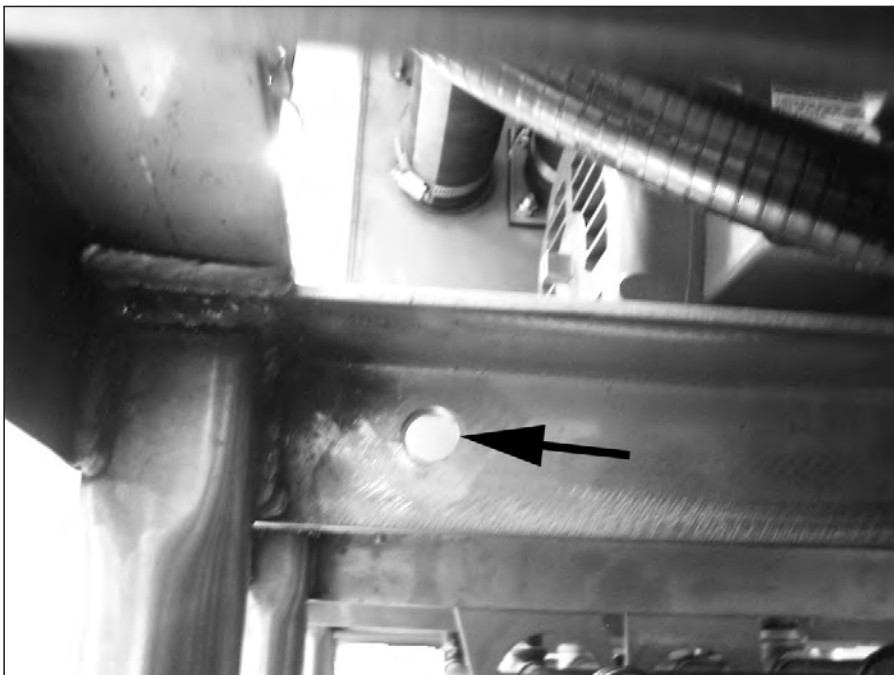
### Joining the Sections

1. Apply a 1/2" bead of FOOD GRADE sealant to the foam gaskets on each section.
2. Move the next section close to the "C". Adjust the feet of this section to align the 20 bolt holes around the hood.
3. Slide the connecting hoses and clamps on drain pipes and cross-flow pipes. Do not tighten at this time.
4. Level each section side to side and front to back making sure the section connecting bolt holes align.
5. Make sure the sections are adjusted to the same height.



**Installation**  
*Joining the Sections*

1. Bolt all the HOOD sections together with twenty (20), 5/16-18 X 3/4" bolts, lockwashers and nuts included in the hardware kit.
2. Tighten the hood bolts in a cross-pattern to pull the sections together.
3. Silicon sealant should squeeze out of the section joints.
4. Bolt the section bases together using three (3) 1/2-13 X 1" bolts, lockwashers, and nuts from the hardware kit.
5. Recheck the level of the assembled sections and adjust as needed to achieve a level line between the joined sections.

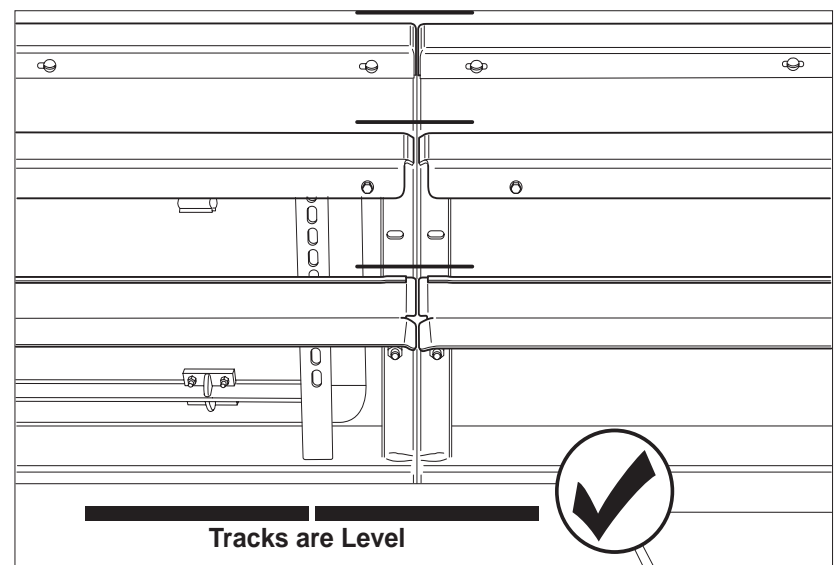
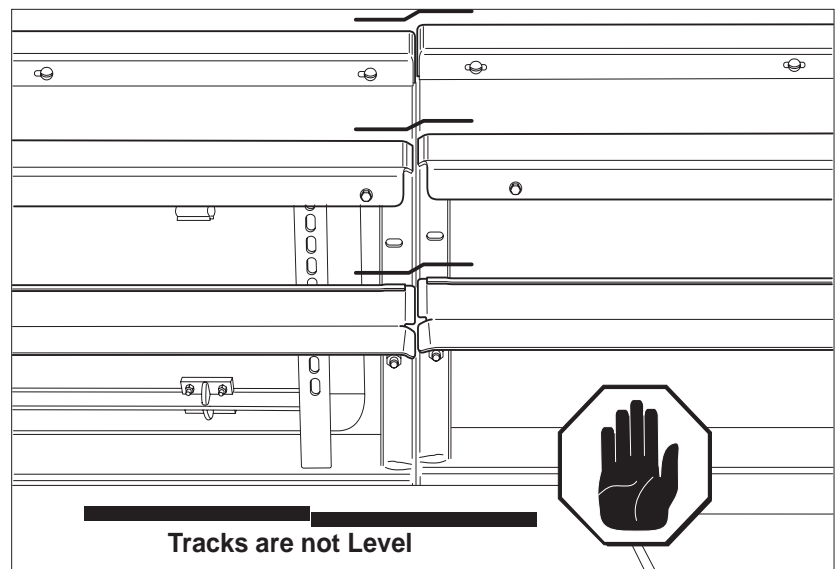


## Installation

### Track Alignment

The conveyor belt is supported by tracks inside each section of the dishwasher. These tracks must be level when the sections are joined. If the tracks are not level then the level of the joined sections should be re-checked and adjusted so that the tracks are level. The track mounting bolts may be loosened and a small amount of adjustment can be made. Make sure the dishwasher sections are level before adjusting the mounting of the tracks.

1. There are upper and lower conveyor belt tracks.
2. Check the alignment of both sets of tracks between each section of the dishwasher.
3. Refer to the illustrations to the right and verify the tracks are level as shown.
4. Re-level the dishwasher sections until the tracks are level.
5. Recheck the level of the conveyor belt tracks.
6. Make any final adjustments by loosening the track mounting and adjusting as necessary.
7. The tracks must be aligned and level before installing the conveyor belt.



## Installation

### Section Joint U-clips

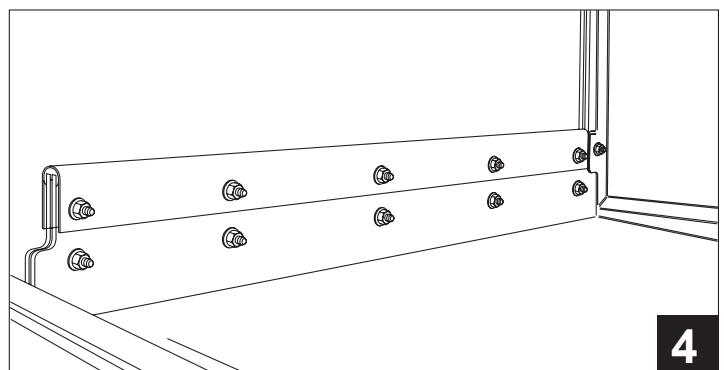
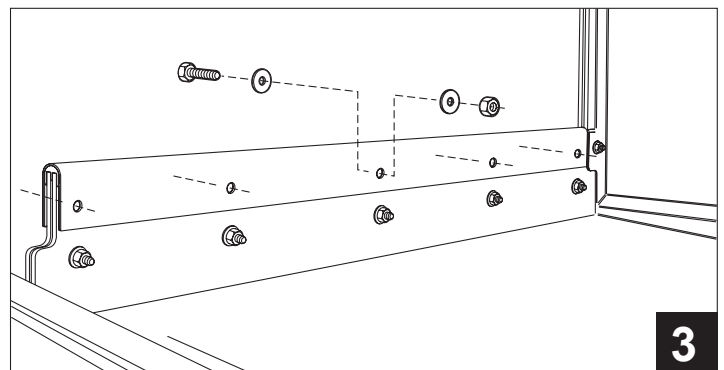
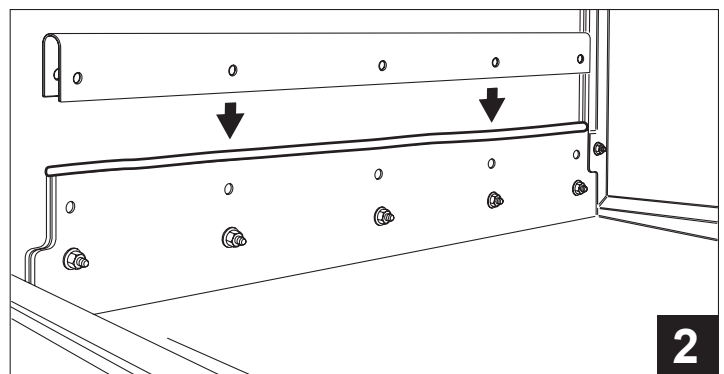
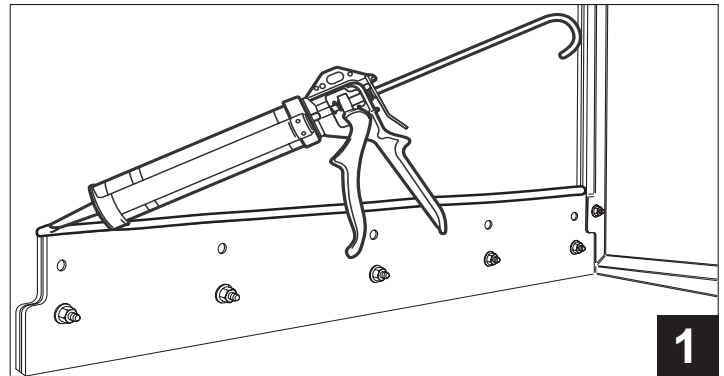
When the dishwasher sections and the tracks are level then the dishwasher section joints inside the dishwasher must be capped by a u-clip that is specifically designed to seal the joints and prevent water leaks between the dishwasher sections.

1. Make sure the dishwasher hood and base section joints have a section gasket installed.
2. If the gasket is missing, then the sections must be broken, a gasket installed, siliconed and the sections bolted and leveled again.

#### ATTENTION

The dishwasher section U-clips cannot be installed before the section gaskets are installed and the sections bolted together.

3. Refer to the illustrations to the right. Apply a 1/2"/12mm bead of silicon at the section seam.
4. Slide the U-clip over the seam and align the bolt holes between the seam and the U-clip.
5. Bolt the U-clip using 5/16-18 x 1" bolts, washers and locknuts included in the hardware kit.
6. Wipe any excess silicon that may have squeezed out of the U-clip joint.
7. The U-clip is P/N 329758.



## Installation

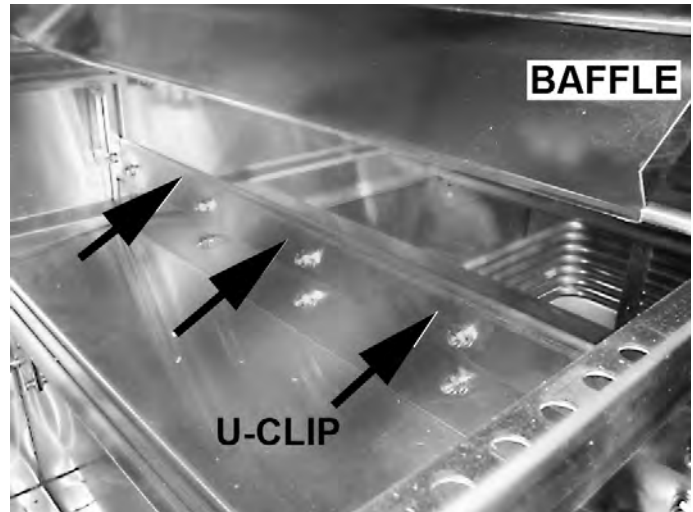
### Baffles

Refer to the photos to the right and below.  
The right-hand photo shows a U-clip installed on the section joint.

Above the U-clip is tank baffle which redirects water flow back into the proper tank.

Baffles are installed in the dishwasher prior to shipment.

1. Each section joint has a set of two baffles, one on each side of the section joint.
2. After the U-clips are installed on the section joint, check that the baffles are installed correctly.
3. The baffles should angle downward so that water is deflected into the tank directly below the baffle.
4. Make sure that the baffles move freely without binding.

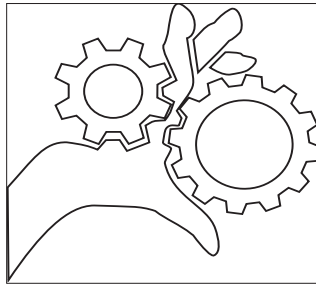


*U-clip installed on section joint with baffle shown above.*



*Tank Baffle shown outside the dishwasher prior to installation at the factory.*

## Installation Assembling the Conveyor Belt



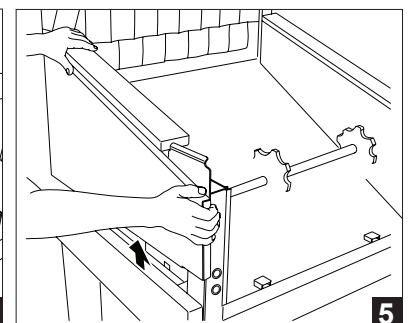
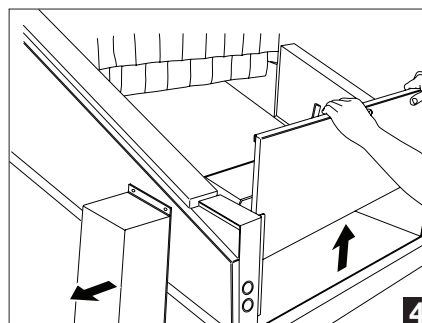
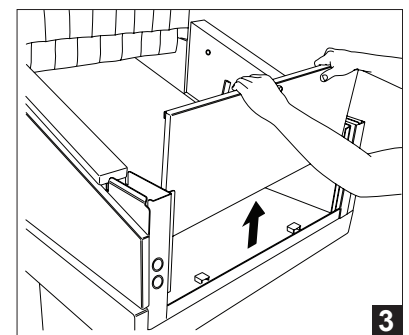
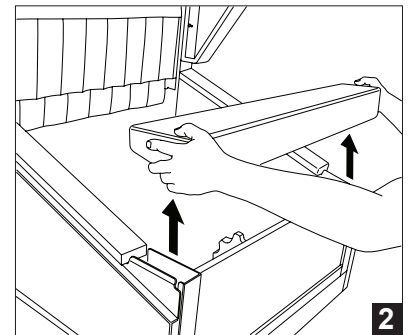
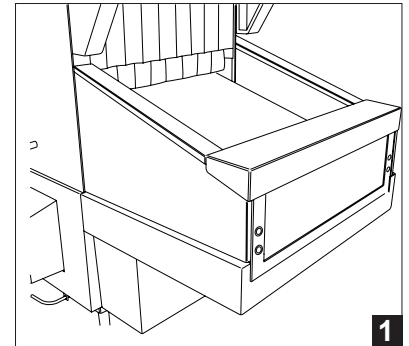
**WARNING:**

Moving Conveyor Parts may cause INJURY OR DEATH. Keep hands and clothing clear of the conveyor when the conveyor is moving.

USE EXTREME CAUTION WHEN THE CONVEYOR IS MOVING.

The load and the unload sections of the dishwasher are equipped with removable panels which need to be removed prior to assembling the conveyor belt.

1. Start at the unload end of the machine and note the location of the top and side panels
2. Lift the top panel straight up and off the end of load section.
3. Lift the end panel straight up. Note the guides on the sides of the hood as you lift the end panel up and off.
4. Lift the side panels of of the right and left sides of the dishwasher load end.
5. Moving to the unload end of the dishwasher, lift the end panel straight up and off the end of the machine. Remove the bolts holding the rectangular cover protecting the drive gear assembly. Pull the cover off of the dishwasher.
6. Set the panels and covers aside and retain the mounting hardware.



## Installation

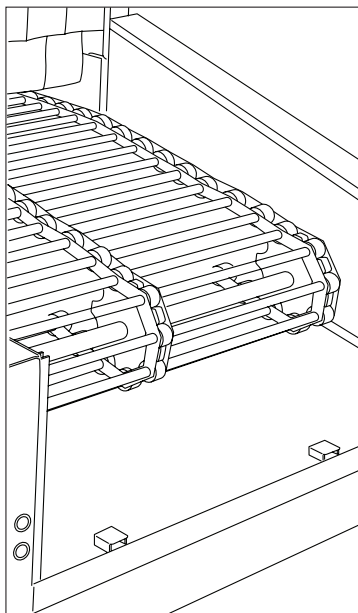
### Assembling the Conveyor Belt

The conveyor belt may be shipped separately from the dishwasher on pallets or it may be rolled up inside of the dishwasher. In either case, the installation is the same.

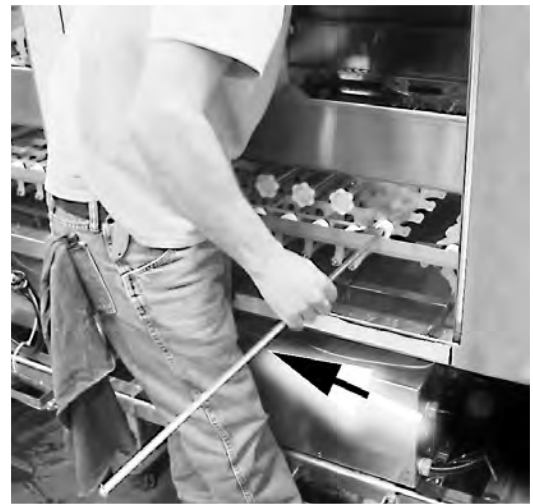
1. Start at the unload end of the machine and pull the conveyor belt around the end sprockets until approximately 1.5 feet/76.2 cm of belt rests on the upper track of the dishwasher.
2. Pull a section of belt to the next section along the upper track into the unload end.
3. Join the belt sections together by feeding a conveyor rod through the links, spacers, and rollers. Install a cotter pin on each end of the rod to secure the assembly.
4. Use an assembled rod section on the belt as a guide for the placement of the spacers, etc., continue this procedure until the conveyor belt is assembled in a complete loop.



*Roll the first section of conveyor belt from the unload section toward the unload section.*



*The assembled belt should form a complete loop.*



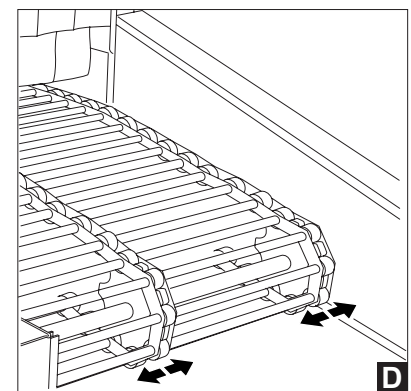
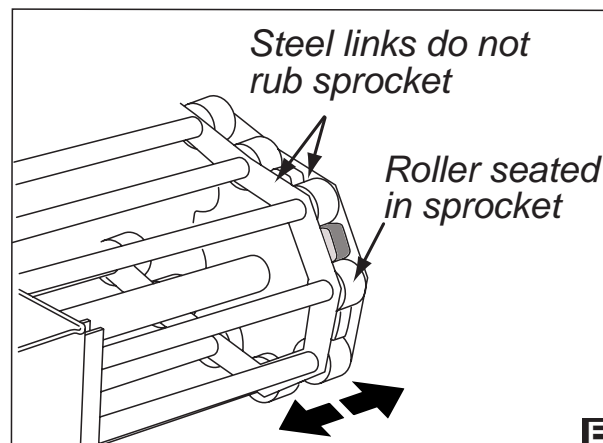
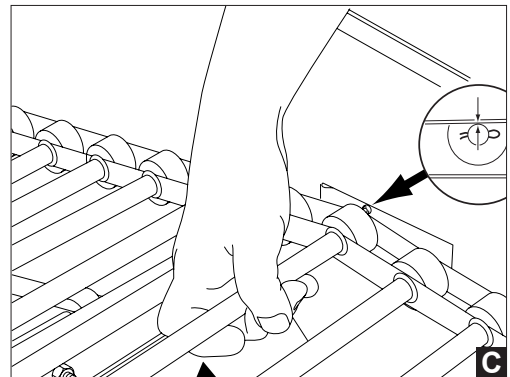
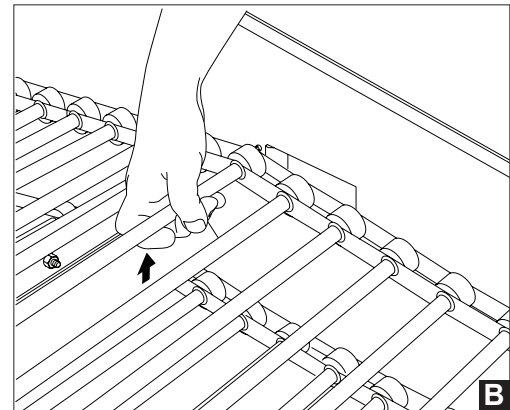
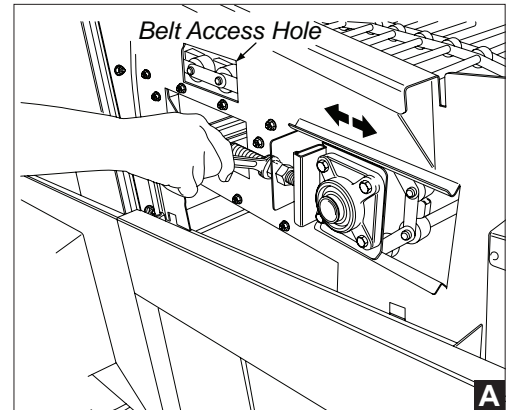
*Connect the conveyor belt sections with a rod, spacers, and washers included in the hardware kit.*

## Installation Assembling the Conveyor Belt

1. The take-up assemblies are located on either side of the load end conveyor shaft as shown in **(A)**.
2. Adjust the conveyor belt tension at the load end. Loosen the adjusting bolt locknuts then turn the adjusting bolts CW to tighten the belt.
3. Make sure the belt tension is even on both sides.
4. Check the slack of the lower portion of the belt. The lower belt must not sag.
5. Continue to adjust belt tension as you manually remove lower belt slack until the lower slack is minimized.
6. Check the belt tension by lifting the upper conveyor belt at the load end of the dishwasher as shown in **(B)**.
7. The proper belt tension is achieved when the top of the conveyor belt rods are even with the top of the belt access hole as shown in **(C)**.

### **DO NOT OVERTIGHTEN THE BELT.**

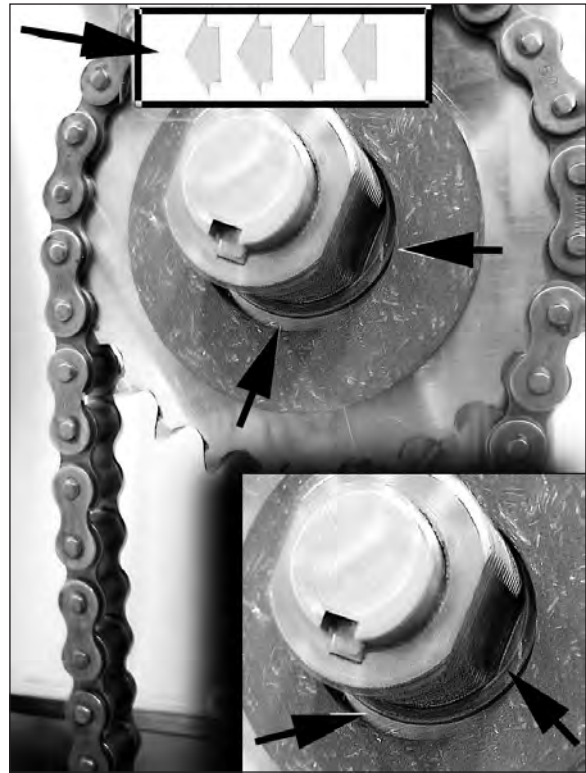
8. Tighten the adjusting bolt locknuts on each take-up assembly to hold the belt adjustment.
9. Check that the conveyor belt tracks evenly on all of the conveyor drive sprockets during operation and adjust the take-up assemblies as required as shown in **(D)**.
10. Proper tracking requires that the rollers seat evenly in the conveyor belt drive sprockets. The metal links on the conveyor belt must not rub the sides of the belt sprockets as shown in **(E)**.



## Installation

### Adjusting the Conveyor Belt Clutch

1. Locate the conveyor belt drive assembly located at the unload end of the dishwasher.
2. Refer to the photos on the right and note the arrangement of the drive clutch components.
3. Locate the clutch kit included in the hardware kit and install the components as shown in the illustration below. Tighten the clutch retaining nut.
4. Proper clutch adjustment is correct if a 185lbs. person can stall the belt when safely pulling against the moving conveyor belt.
5. **NEVER LUBRICATE THE CLUTCH ASSEMBLY.**

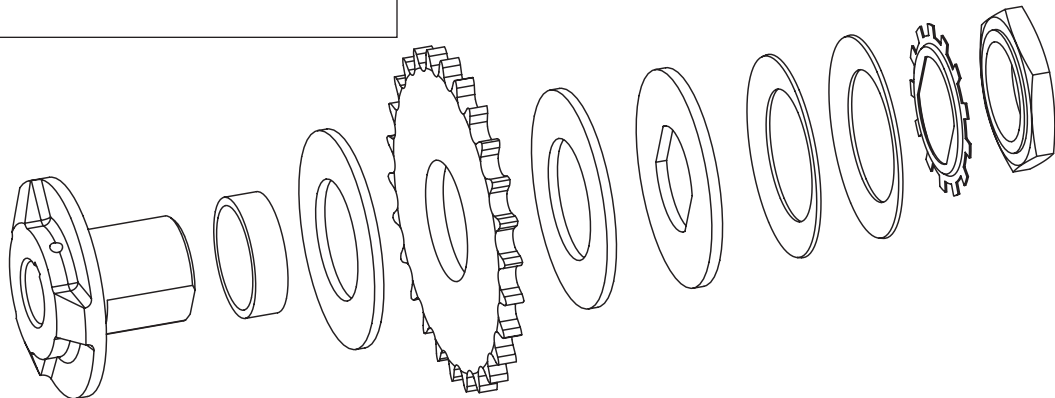


**ATTENTION**  
**CHECK THE BELT TENSION IN 3 WEEKS**  
**AND RE-ADJUST AS REQUIRED.**

#### **ATTENTION**

The ID of first clutch disk is larger than the bore of the drive shaft.

Make sure the first disk rests on the shoulder of the drive shaft to ensure correct clutch assembly.

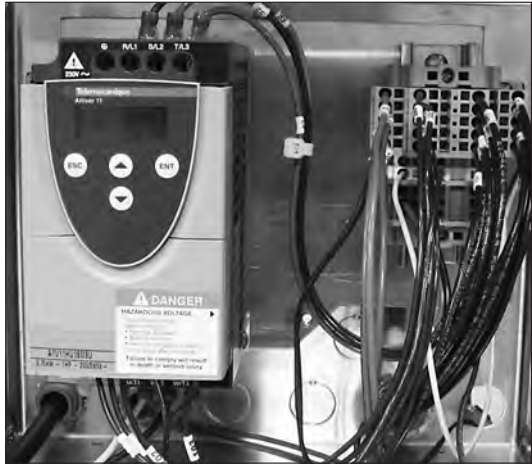


**Installation**  
*Inverter Conveyor Drive Motor Speed Control*

**CAUTION**

**The Variable Frequency Drive (VFD)  
 is a solid-state motor control.**

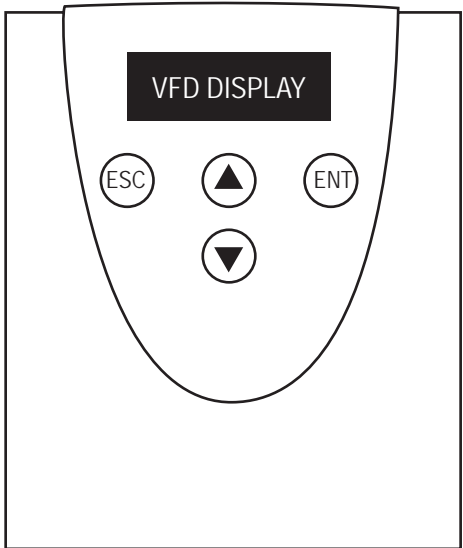
**Changing the factory settings without  
 prior authorization by the factory will void the  
 warranty of the VFD and the Dishwasher.**



The conveyor belt speed is set at the factory to run in the three operation modes. The modes are selected by pressing a mode switch located on the top-mounted control cabinet. The modes are:

- Energy Saver Mode
- Normal Mode
- Fast Mode

When the conveyor belt is moving normally, the VFD Display will indicate a number on the display that is calibrated at the factory.



*Variable Frequency Drive (VFD)  
 for the Conveyor Drive Motor*

*Variable Frequency Drive (VFD)  
 shown with the Conveyor Drive Motor*



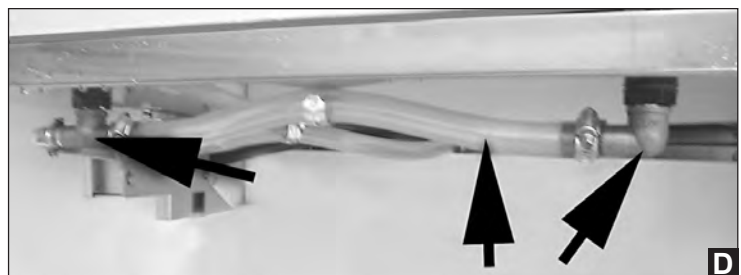
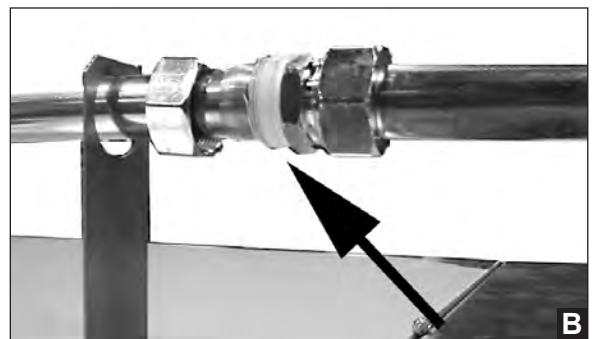
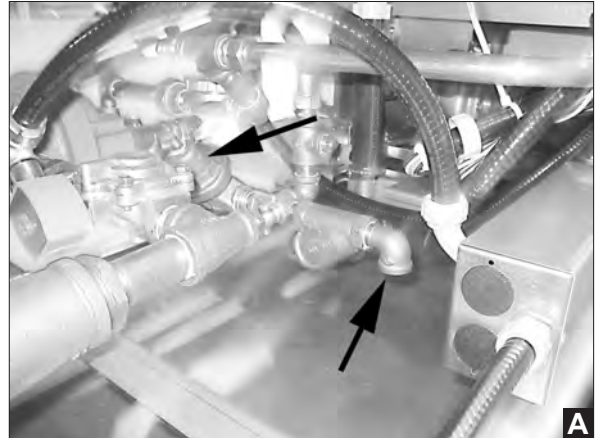
## Installation

### Plumbing Connections

#### ATTENTION

Plumbing connections should be made by qualified personnel who will follow all local plumbing, safety, and sanitary codes and regulations.

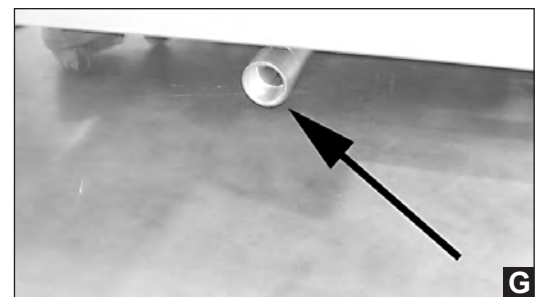
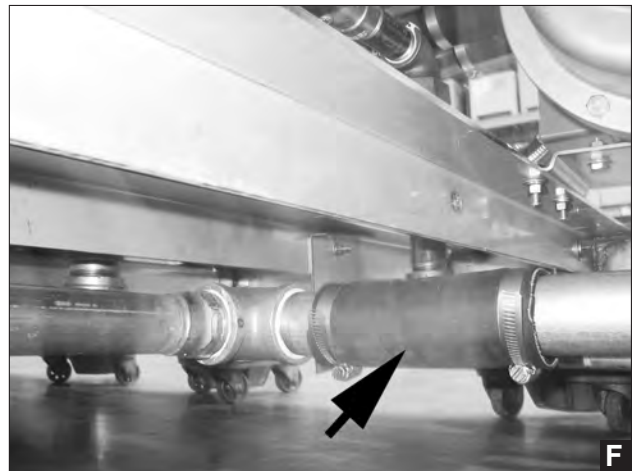
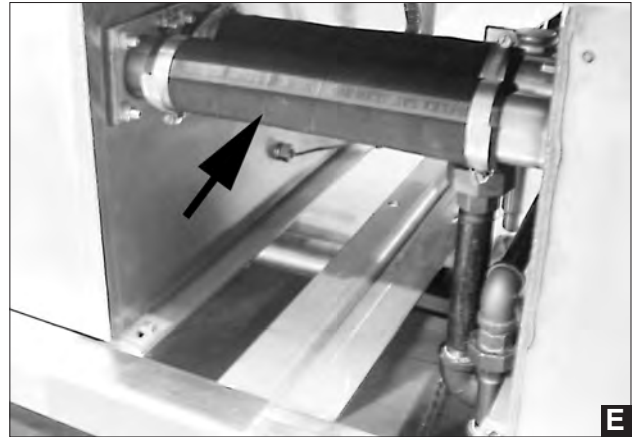
1. The specific water requirements for the installation of the dishwasher are listed on the Plumbing and Electrical Diagram (P&E) that was provided prior to the installation.
2. It is recommended that the Installation Supervisor inspects the position, level and alignment of the piping prior to making the connections.
3. The main water supply connection is located underneath the unload section of the dishwasher adjacent to the pressure regulating valve (PRV) as shown in (A).
4. The PRV must be adjusted to provide a flowing pressure of between 20-22 PSI / 138-152 kPa.
5. Tighten the dishwasher fill piping compression fittings located on the top of the dishwasher. Use Teflon tape on the threads to ensure a water-tight joint as shown in (B).
6. Remove the shipping ties that hold the fill water solenoid valve coils and mount the coils on the solenoid valve stems as shown in (C).
7. Assemble the flushing nozzle piping located on the load-end of the dishwasher making sure that the nozzles point towards the dishwasher entrance as shown in (D).



## Installation

### Plumbing Connections

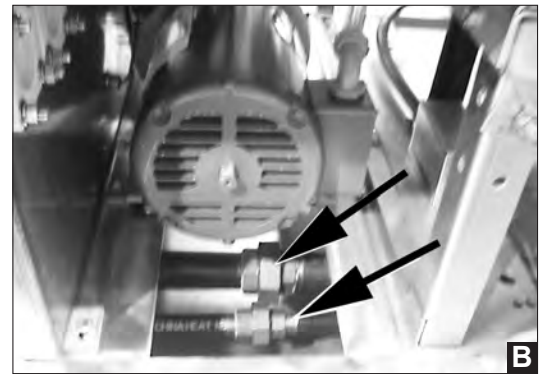
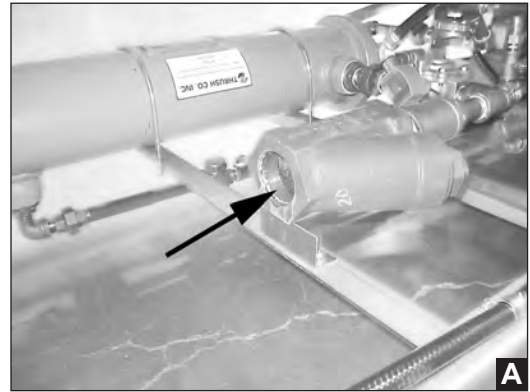
8. Connect the cross-flow piping between the tank sections using the rubber hoses supplied. Make sure that all hose clamps are tight and secure as shown in (E).
9. Make sure all drain fittings are tight then connect the drain trunk sections using the rubber hoses supplied as shown in (F).
10. Connect the dishwasher drain outlet piping located underneath the load-end of the dishwasher. The dishwasher drain line is a 2" NPT connection as shown in (G).
11. Check the water and drain connections during the initial start-up of the dishwasher to ensure that supply and drain piping does not leak.
12. The building drain system must be of sufficient size and capacity to allow the dishwasher to drain completely without restriction.
13. Make sure that the dishwasher drains properly during the initial start-up.
14. Make sure that any foreign material is removed from inside, on top of, and underneath the dishwasher when the plumbing and drain connections are complete.



## Installation

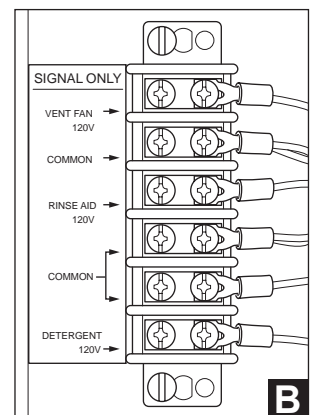
### Steam Connections

1. The specific steam requirements for the installation of the dishwasher are listed on the Plumbing and Electrical Diagram (P& E) that was provided prior to the installation.
2. It is recommended that the Installation Supervisor inspects the position, level and alignment of the piping prior to making the connections.
3. The main steam supply connection is located underneath the unload section of the dishwasher as shown in (A).
4. Connect the steam supply piping and steam condensate lines (B) located between the dishwasher sections. Make sure all fittings are tight.
5. The steam condensate line may be run to a drain or to a boiler return line. If plumbing to a boiler return line make sure that there is no back-pressure on the condensate line. Connections to the building condensate return is performed by others.



### Vent Connections

1. The specific venting requirements for the installation of the dishwasher are listed on the Plumbing and Electrical Diagram (P& E) that was provided prior to the installation. Vent connections to the dishwasher are performed by others.
2. Install the dishwasher vent stacks on the load and unload end of the dishwasher so that the vent handles are facing the front of the dishwasher.
3. Set the vent damper adjustment handles in the vertical position as shown in (A). This sets the vent damper in the fully open position.
4. There is a vent fan signal connection point located inside the top-mounted control cabinet to interlock the building vent system with the dishwasher operation. See (B).



**NOTE:**

**This is a 120VAC signal only and cannot be used to power vent motors or other control circuits.**

## Installation Electrical Connections



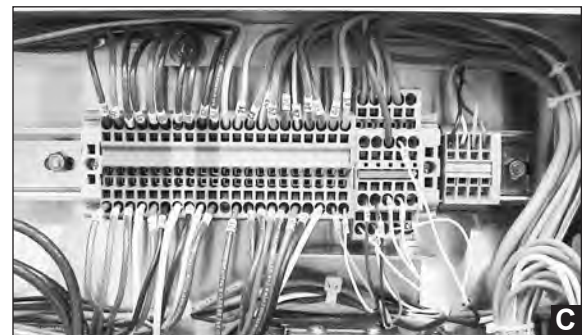
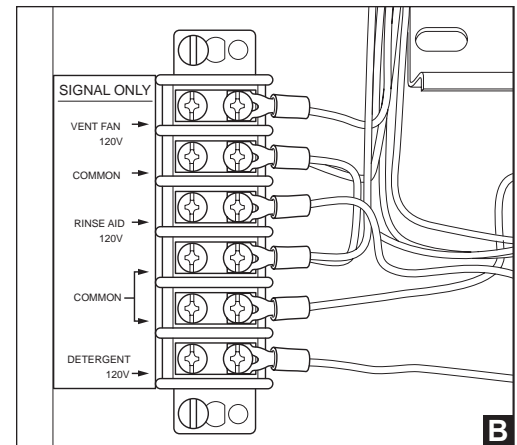
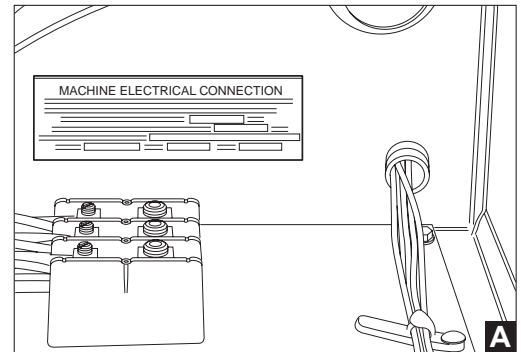
### WARNING:

Electrocution or serious injury may result when working on an energized circuit.

Disconnect power at the main breaker or service disconnect switch before working on the circuit.

Lock-out and tag the breaker to indicate that work is being performed on the circuit.

1. The specific electrical requirements for the installation of the dishwasher are listed on the Plumbing and Electrical Diagram (P & E) that was provided prior to the installation.
2. The main power supply connection for the dishwasher (excluding electric booster power) is made at the main terminal block as shown in (A). The Machine Electrical Connection Data Plate is mounted adjacent to the main terminal block and contains electrical specifications for the connection.
3. A separate terminal block (B) is located inside the top-mounted control cabinet which provides signal voltages for chemical dispensing equipment or vent fan control if required.
4. The main power connection for the electric booster (Not Shown) is a separate connection and is located inside the booster control box. The box is typically installed on the base of unload section. The box can also be located on the top of the dishwasher if specified.
5. Electrical connections between dishwasher sections are made in wireway boxes (C) that are mounted on the base of each section.
6. Remove the covers of the wireway boxes and identify connecting wires and terminal blocks.
7. Unroll any flexible conduits that were disconnected from the wireway prior to shipment and re-route them into the wireway boxes.
8. Refer to the dishwasher electrical schematic and re-connect the wires between the sections using the hardware supplied.
9. Re-install the wireway box covers.



## Installation

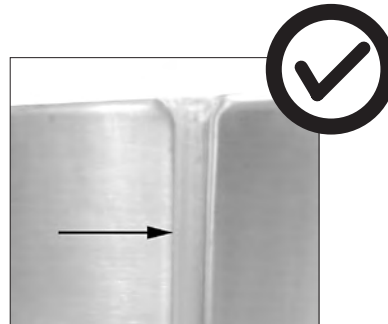
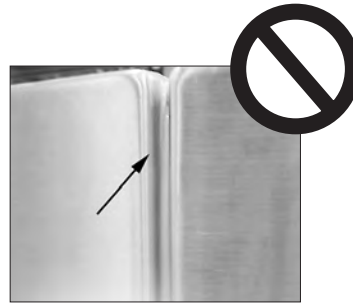
### Sealing Section Joints

Machine section joints must be sealed using a food-grade silicon sealant. Several tubes of approved sealant were included in the installation hardware kit.

Study the photos on the right.

The top photo shows an incorrectly sealed joint. Note that the joint seal has a valley indicating that insufficient sealant was applied.

The bottom photo shows a correctly sealed joint. The joint seal is filled and the transition between the sections is shallow.



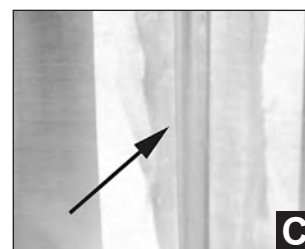
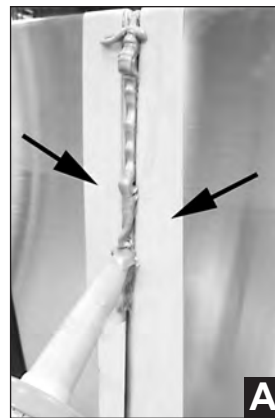
#### To seal the section joints:

1. Make sure the machine sections are level, all utilities and cross-connections are made and the sections are bolted together.
2. Clean the joint with isopropyl alcohol to remove dust, oil film, and other contaminants.
3. Mask the joint edges with a quick-release masking tape.
4. Apply a 1/8" bead of food-grade silicon sealant using moderate pressure on the caulking gun to ensure the sealant fills the joint.
5. Wait 1 minute for the sealant surface to firm slightly (but before a skin forms), then wipe the joint with a clean damp cloth.

#### **Note:**

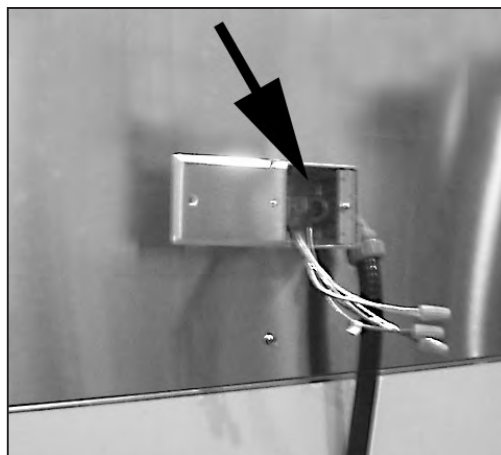
If the sealant dries longer than 1 minute, do not try to wipe the joint. Allow the sealant 30 minutes to dry, then cut the sealant out of the joint and reseal the joint.

6. Wait 10-seconds after wiping the joint, then remove the masking tape.
7. The joints can be cleaned and trimmed in about 1 hour.



## Optional Blower-Dryer Installation

FOR COMPLETE BLOWER-DRYER INSTALLATION INSTRUCTIONS REFER TO THE BLOWER-DRYER SERVICE MANUAL, P/N 114316, SHIPPED WITH THE BLOWER-DRYER ASSEMBLY



1. The blower dryer comes in electric or steam.
2. It ships on a separate pallet. The vent cowl and mounting hardware are included in the accessories box and hardware kit.
3. Lift the blower dryer off the pallet with a forklift and place on the end of the unload section.
4. If a forklift is not available, then four (4) men are needed to lift and install the unit manually.
5. Bolt the blower dryer in place using the 5/16-18 X 3/4" bolts, flat washers, and lock washers from the hardware kit.
6. Fasten the vent cowl on the discharge end of the blower dryer using the 1/4-20 plain nuts, flat washers, and lock washers from the hardware kit.
7. Connect the flex-tite conduit to the junction box located at the rear of the dishwasher.
8. Match wire numbers in the junction box and connect with wire nuts.
9. Close the junction box.
10. Install the cowl to the end of the blower dryer.

## **Installation**

### **Check List**

Perform the following checks and adjustments before placing the machine into service.

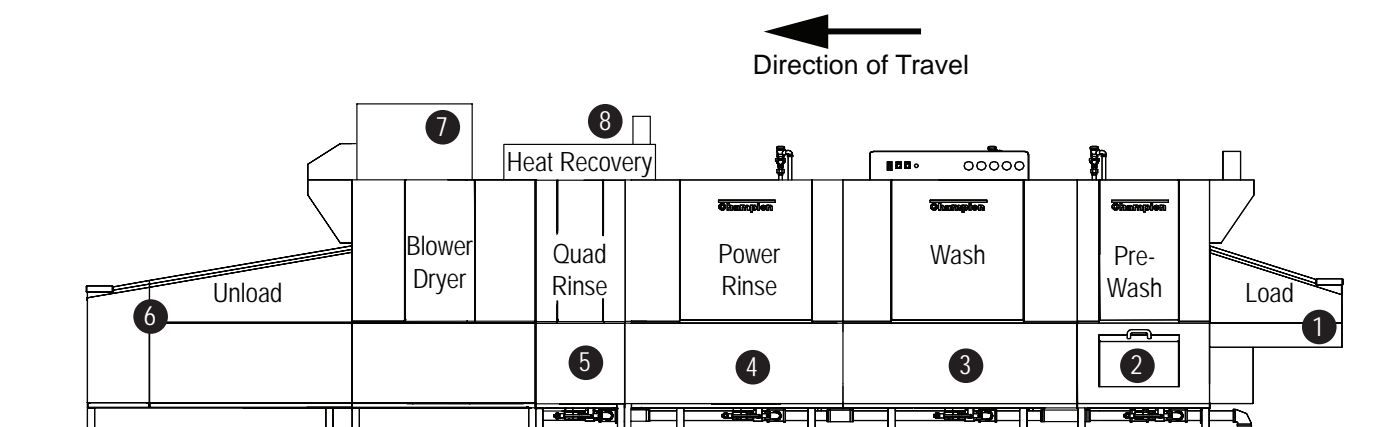
1. Check the interior of the machine and remove any foreign material.
2. Check the scrap screens, pump strainers and scrap baskets are properly installed.
3. Check the exterior of the machine — make sure that the conveyor belt is free of tape and foreign material.
4. Vent stacks must be placed on the hood with vent handles facing the front of the dishwasher
5. Open the water supply valves. Check for leaks and take corrective action as required.
6. Open the steam supply valves (if applicable). Check for leaks and take corrective action if required.
7. Turn the main power on at the breaker panel or fused disconnect switch.
8. Flip the Power Switch on the front of the Control Cabinet to the "ON" position. The machine will begin to fill with water. The water will shut off automatically.
9. Check for leaks and take corrective action if required.
10. Allow sufficient time for the tank heat to reach operating temperature. then check that the digital temperature meters indicate the proper temperature readings.
11. Move the conveyor shut-off shelf located at the end of the unload section toward the load end of the machine. This resets the automatic conveyor stop system.
12. Press each mode switch and then the stop switch in succession to check conveyor belt drive operation.
13. Open each door to ensure the door safety switches shut the machine off.
14. Operate the conveyor shut-off assembly to ensure the conveyor stops when operated.
15. Check the direction of rotation of the conveyor belt by observing the direction arrow decal on the large conveyor drive sprocket. The sprocket is located on the side of the unload section. If rotation direction is incorrect, reverse wires L1 and L2 on the disconnect switch side of the main electrical connection terminal block located inside the control cabinet.
16. Check the conveyor drive clutch adjustment. The clutch should be CHECKED AND ADJUSTED MONTHLY.
17. Check the alignment of the conveyor belt.
18. Check the Energy Sentinel (idle pump shut-off) by placing a tray or dish on the moving conveyor belt. The pumps should start when the object breaks the infrared beam on the entrance end of the dishwasher.
19. Make sure the panels are properly installed. The panels are marked with location numbers and should match the numbers located on the dishwasher.
20. Make sure the curtains are properly installed.
21. Turn the dishwasher power switch to the OFF position.
22. Open the dishwasher drains and make sure the building drain system handles the drain flow.
23. Make sure the dish room is neat and clean.

## Operation Introduction

The flight-type upright conveyor dishwasher consists of a series of wash tanks designed to clean a variety of soiled ware moving through the tanks on a conveyor belt. Refer to the illustration below for a general description of the machine.

### Dishwasher Tanks and Options:

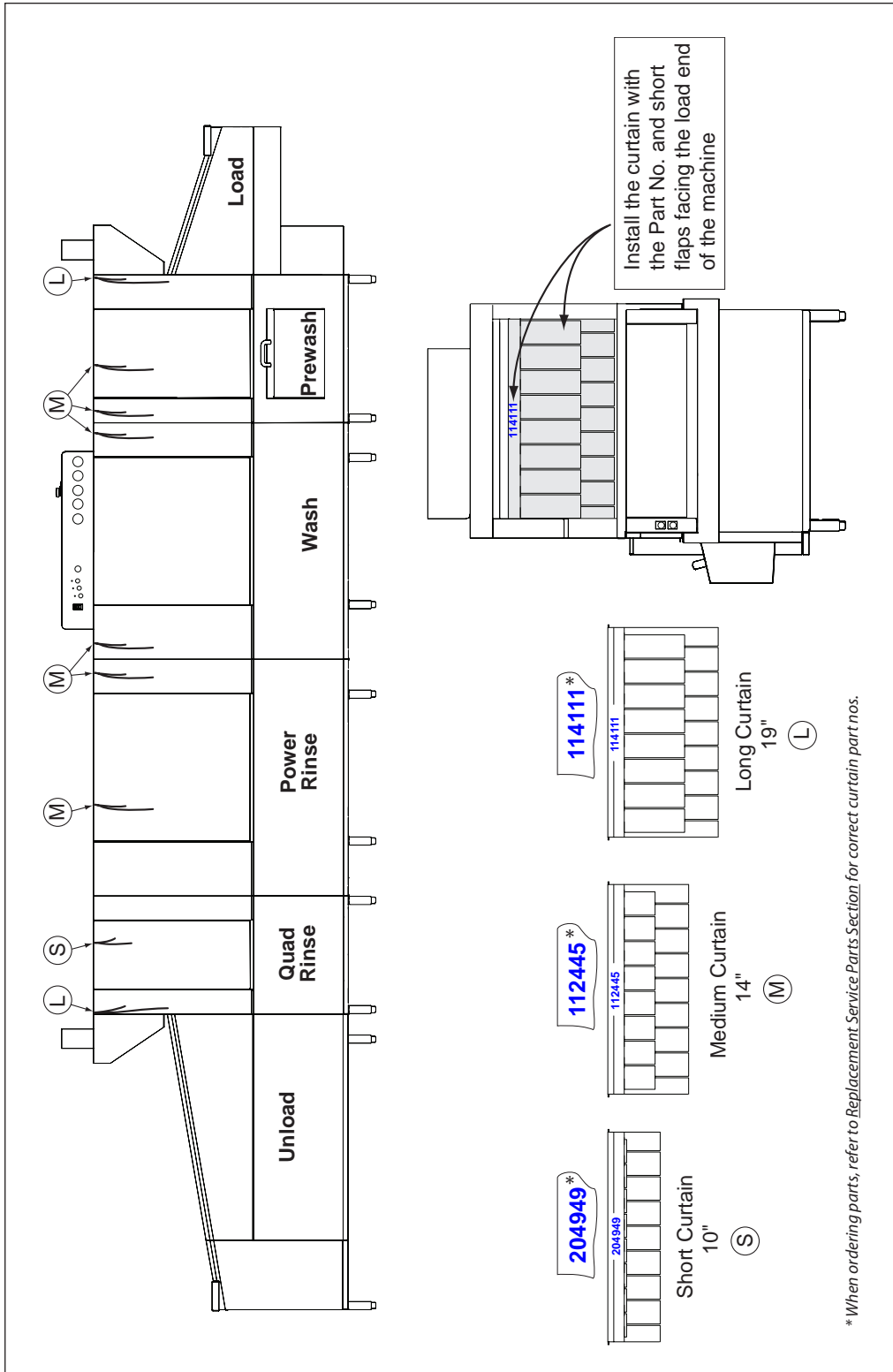
1. Load - Soiled ware is sorted and loaded on the conveyor belt. Wares enter the dishwasher.
2. Prewash Tank - Soiled wares are flushed to remove large particles and to loosen heavy food-soils.
3. Wash Tank - Wares are washed with hot water and detergent.
4. Power Rinse Tank - Wares are rinsed with hot water to remove detergent and any remaining food soils.
5. Quad Rinse - Auxiliary rinse begins the hot water sanitization process then the final rinse completes the hot water sanitization process.
6. Unload - Clean wares exit the dishwasher and flash dry on the conveyor belt.
7. Blower Dryer Option - Hot air is forced over wares to speed drying.
8. Heat Recovery Option - Hot air exhaust is recycled to raise the incoming water temperature for the final rinse booster reducing energy costs.



## Operation

### Curtain Placement Diagram

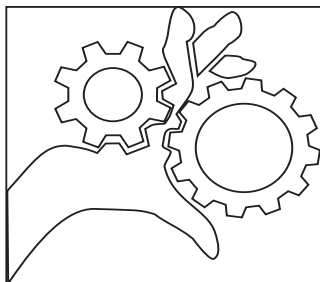
Proper curtain placement is essential for the proper operation of the dishwasher. Refer to the diagram below and make sure the curtains are installed correctly before operating the machine.



## Operation

### Operation Summary

The steps below summarize the basic operation of the dishwasher.  
Detailed explanations follow this summary.



**WARNING:**

Moving Conveyor Parts may cause INJURY OR DEATH.  
Keep hands and clothing clear of the conveyor when the conveyor is moving.

USE EXTREME CAUTION WHEN THE CONVEYOR IS MOVING.

1. Check the chemical connections and chemical containers are installed and ready for operation, (Consult your chemical supplier for instructions).
2. Check the interior of the dishwasher for foreign objects and remove.
3. Turn on the water supply to the dishwasher.
4. Turn on the main power switch at the building service disconnect switch.
5. Close all drains.
6. Make sure floats, overflows, drain screens, and pump intake screens are clean and in place.
7. Make sure all spray arm assemblies are in place and secure.
8. Make sure curtains are properly installed.
9. Make sure all doors are closed.
10. Make sure the conveyor shut-off shelf is in the ON position.
11. Push the dishwasher main power switch to the ON position.
  - The machine will begin to fill with water.
12. If equipped, turn the *Optional* Blower Dryer Switch ON.
  - The blower dryer runs whenever the pumps run.
13. Monitor the digital temperature gauges for the proper tank temperature readings:
 

|             |   |
|-------------|---|
| Prewash     | less than 160°F   |
| Wash        | minimum of 150°F  |
| Rinse       | minimum of 160°F  |
| Auxiliary   | minimum of 160°F  |
| Final Rinse | INDICATES OFF when final rinse is not running<br>minimum of 180°F when final rinse is running |

## Operation

### Summary of Operation

The steps below explain the basic operation of the dishwasher. Detailed instructions follow this summary.

14. When wash tank temperature readings are correct then push the NORMAL mode selector switch.
  - The green LED will illuminate and the conveyor will start.Select the FAST mode selector switch.
  - The Fast LED will illuminate and the conveyor speed will increase.
15. Scrap and pre-rinse wares, sort and place on the conveyor belt to wash. When the wares break the infrared beam at the entrance of the wash tunnel:
  - The wash pumps run.
  - If equipped, the optional blower dryer runs.
  - If equipped, the optional Heat Recovery Unit runs.

NOTE: The dishwasher will run automatically as long as wares break the infrared beam. The automatic time cycle ends when the last item placed on the belt has been washed, sanitized and exited the machine.

16. Wares move on the conveyor belt through the wash tanks and the final rinse section for sanitizing. The blower dryer aids the drying of the wares. The heat recovery unit captures residual heat from the dishwasher reducing energy costs.
17. Clean wares exit the dishwasher. If wares touch the conveyor shut-off shelf:
  - The automatic timed cycle pauses.
  - The conveyor belt stops.
  - The blower dryer operates for 30 additional seconds and stops.
  - The wash pumps stop.
18. Clear the belt area of wares and return the conveyor shut-off shelf to the ON position.
  - The automatic timed cycle resumes.
  - The conveyor belt runs.
  - The wash pumps run.
  - The blower dryer runs.
  - The heat recovery unit runs.
19. When the last item placed on the belt exits the machine:
  - Remove the item.
  - The pumps automatically stop.
  - The blower dryer stops after running 30 more seconds.
  - The heat recovery unit stops.
  - The conveyor belt continues to run.

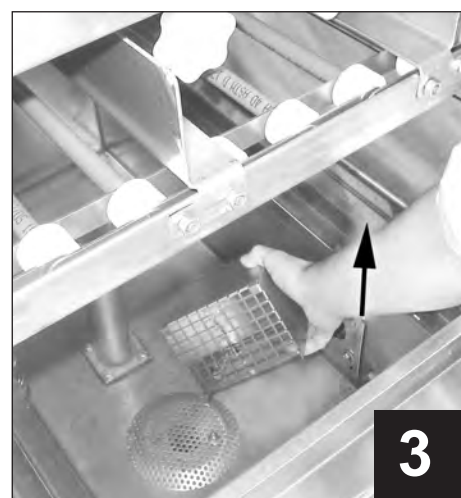
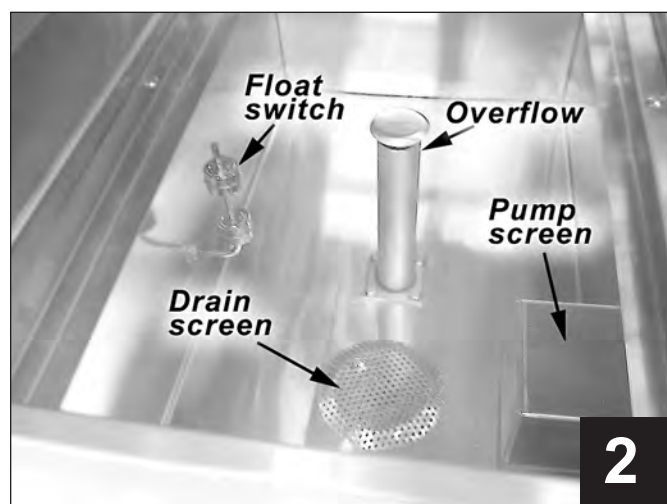
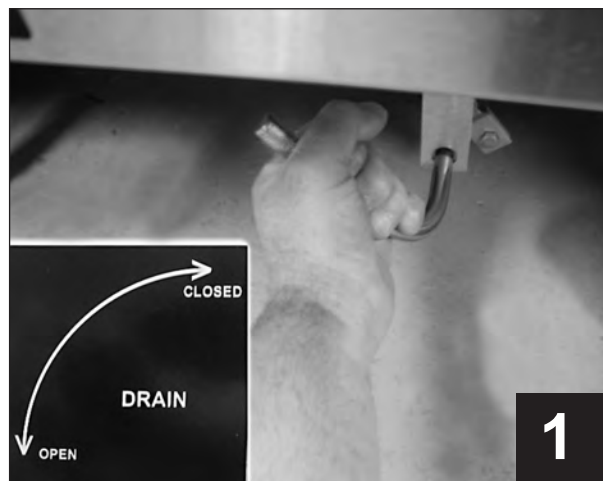
NOTE: The machine operation will stop whenever the STOP button on the main control cabinet or a remote stop/start station is pressed. Operation will resume when the remote start button is pressed or a Mode Switch on the control cabinet is pressed.

The dishwasher conveyor, pumps, and blower dryer turn off whenever a door is opened. Push a start button or mode switch to resume operation.

## Operation

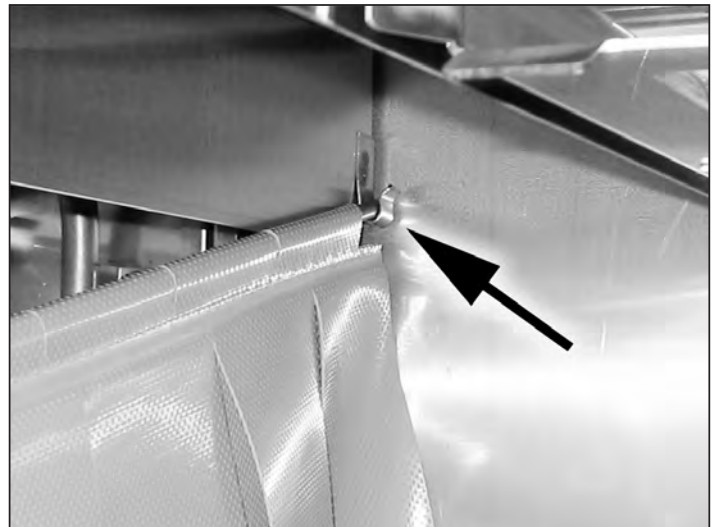
### Checking Drains, Floats, Overflows, and Pump Intake Screens

1. Close all drains.
2. Make sure floats, overflows, drain screens, and pump intake screens are clean and in place.
3. The pump intake screens are removed by sliding them up and out. Make sure they are in place and secure.
4. Inspect the bottom of the dishwasher tanks to ensure they are clear of foreign objects.



**Operation**  
*Installing Curtains*

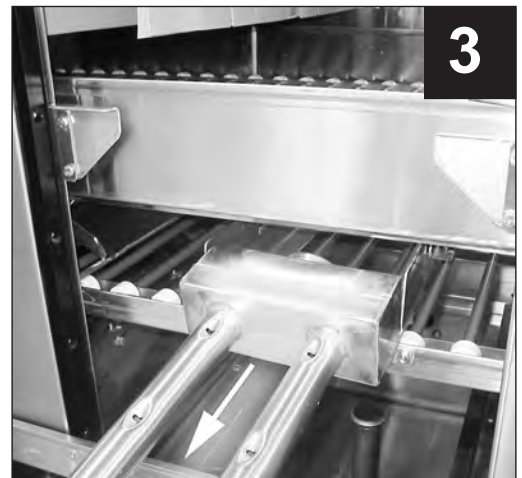
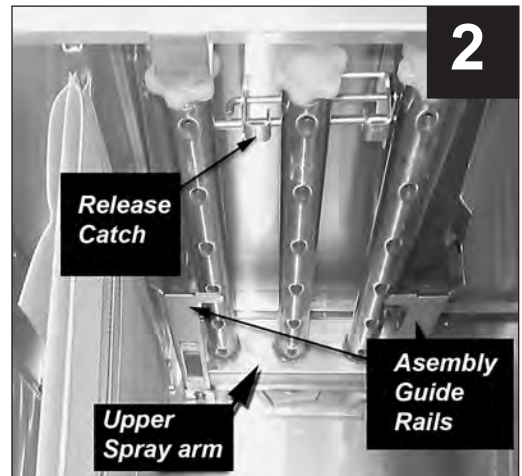
1. Place the curtains in the dishwasher making sure the short flaps face the load end of the machine.
2. Locate the curtain hooks in each section.
3. Place the curtain rod in the rear hook, then lift the opposite end of the curtain rod and place it in the front hook.
4. Place the 19" long curtains at each end of the dishwasher.
5. Place the 14" center curtains in each section.
6. Place the 10" final rinse curtain between the final rinse and auxiliary rinse pipes.



## Operation

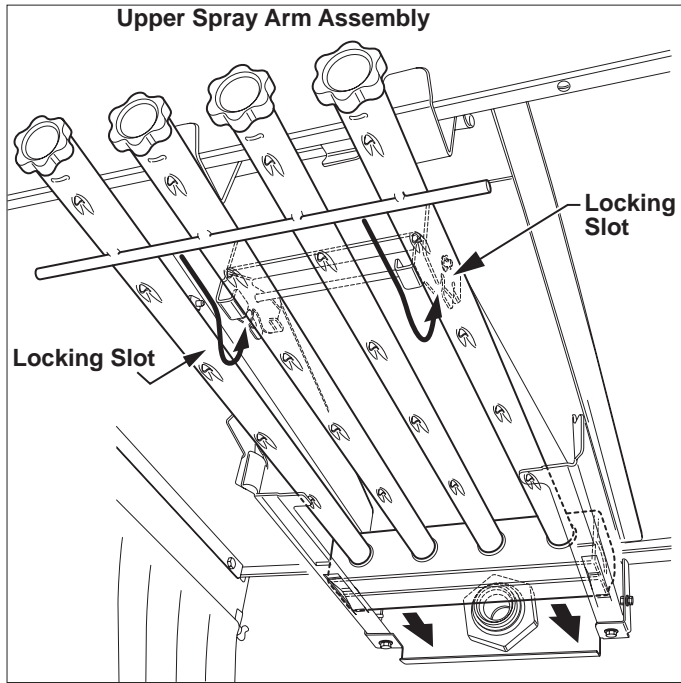
### Installing Spray Arm Assemblies

1. Check the upper and lower wash arm manifold o-rings to make sure they are in place and in good condition.
2. Install the upper wash arm assemblies.
3. The auxiliary rinse section is equipped with an upper and lower rinse arm.
4. Install the lower wash arm assemblies.
5. Make sure all wash arm assemblies are locked in place.

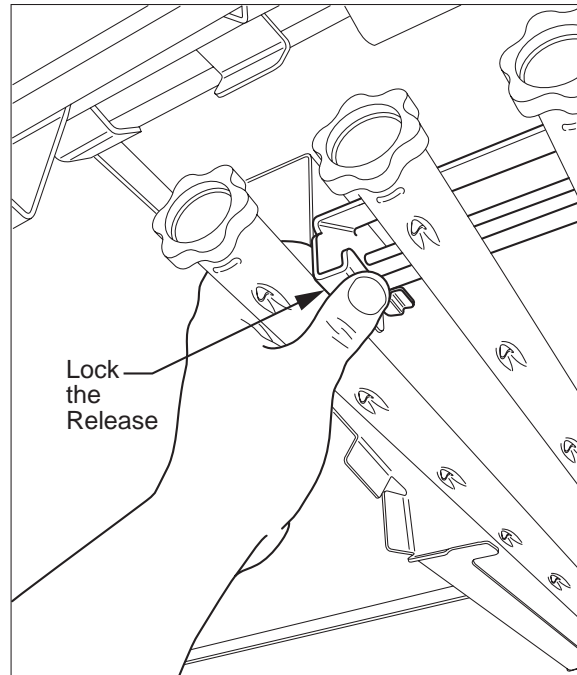


## Operation

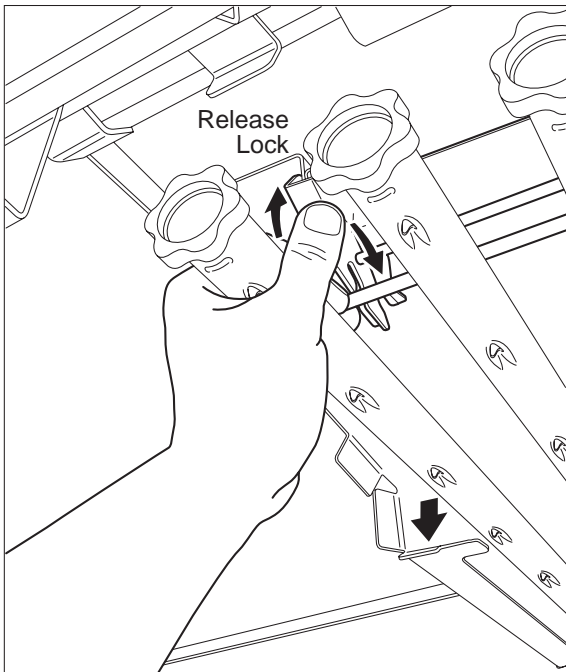
### Installing Spray Arm Assemblies (continued)



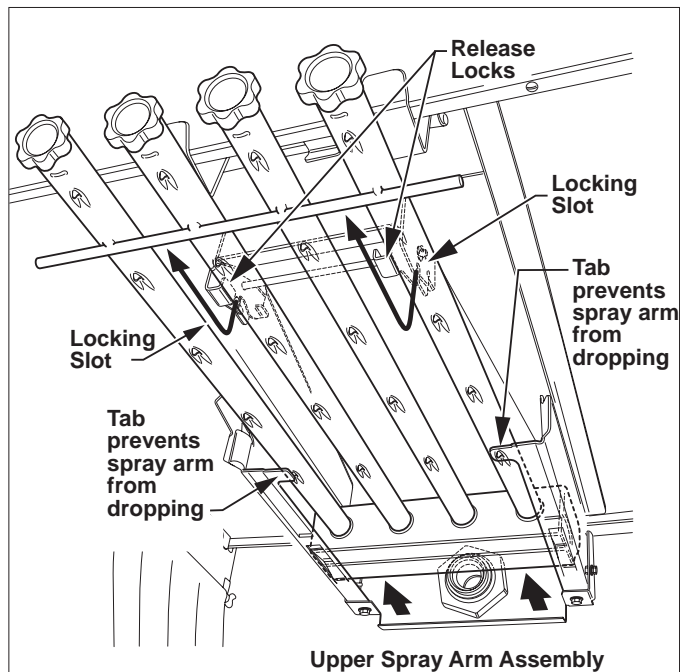
Push the Upper spray arm assembly into place.



Push the spray arm release down to lock the spray arm assembly.



Push the release up to unlock the spray arm assembly.



Pull the spray arm assembly out of the dishwasher.

**Operation***Installing Spray Arm Assemblies Auxiliary Rinse Spray Pipes*

There are 2 removable auxiliary rinse spray pipes in the auxiliary rinse section.

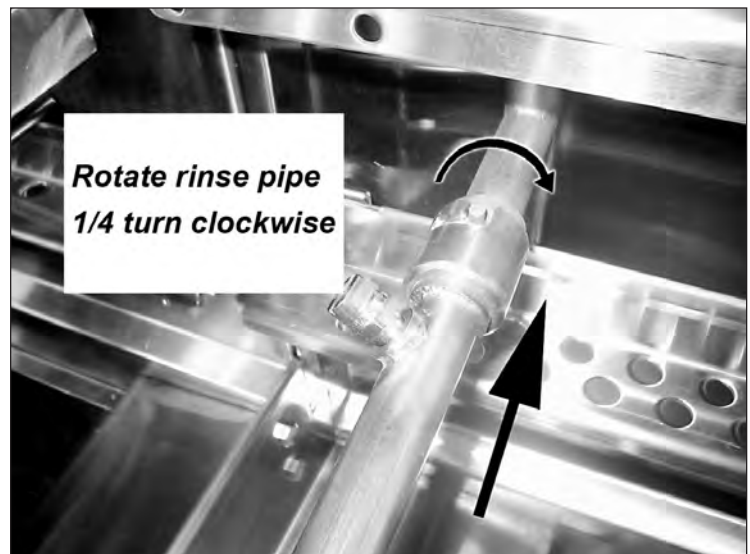
1. Make sure the upper and lower auxiliary rinse spray pipe gaskets are in place. The square-shaped pipe gasket is installed first and the round o-ring second.
2. Position the spray pipe so the rinse nozzles point toward 10 o'clock.
3. Push the rinse pipe forward.
4. Turn the auxiliary rinse pipe clockwise 1/4 turn to lock it in place.

**Note:**

The final rinse pipes are permanently installed and do not require assembly.



*The square-shaped gasket is installed first and the round o-ring is installed second.*



*Push the auxiliary rinse arm forward, then rotate the arm clockwise 1/4 turn to lock it in place.*

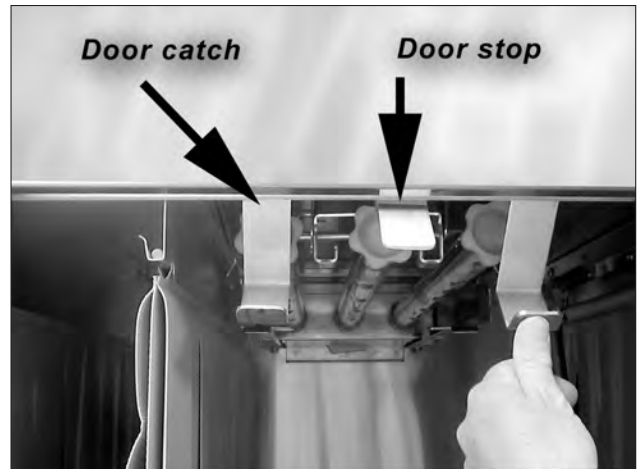
## Operation

### Operation

#### Opening and Closing Doors:

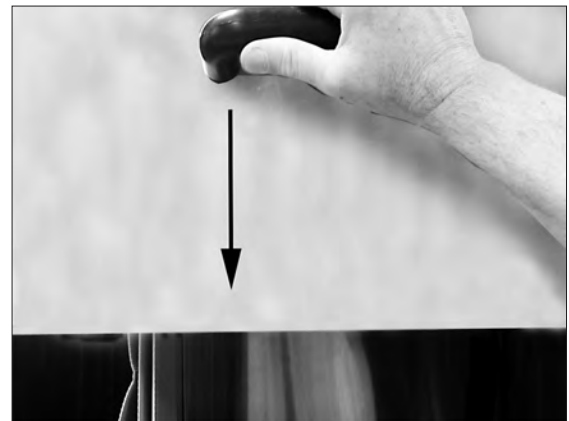
##### Standard Doors

1. Lift the door up, the door catch will engage and hold the door up.
2. Slowly lower the door. The door catch engages and holds the door up.
3. Carefully push the door catch back and lower the door



##### Split Doors

4. Lift the upper door until the door catch engages and holds the door in place.
5. Lift the lower door until the lower door catch engages and holds the lower door up and in front of the upper door.
6. Release the lower door catch and slide the lower door down.
7. Release upper door catch and slide the upper door down.
8. Release the upper door safety stop and slide the upper door closed.



Standard Door



Upper Door Catch



Lower Door Catch



Upper Door Safety Stop



Split Doors

**Operation****Removing Scrap Screens and Scrap Basket:**

1. The scrap screens and the scrap basket are removable and should be cleaned periodically during normal operation and at the end-of-the day or after 2-hours of continuous operation.
2. The scrap bucket and the associated scrap basket are optional equipment and may not be installed on the dishwasher.
3. Scrap screens and scrap baskets should be removed level to prevent food-soils from falling into the machine during removable.
4. Open the dishwasher tank door.
5. Remove the scrap bucket cover and hang the cover on the front of the scrap bucket.
6. Tilt the back of the scrap screen slightly up to clear the rear screen catch.
7. Pull the scrap screen forward and out of the dishwasher.
8. Lift the scrap basket up and out of the machine.
9. Re-assemble in reverse order.
10. Make sure the scrap screen overlaps the scrap basket edge to ensure food-soils flow into the scrap basket.



## Operation

### Control Panel Operation



The top-mounted control panel contains the Power ON/OFF switch, mode selector switches and indicator lights, stop switch and digital display temperature meters. The function of these controls are:

#### **A Power Switch -**

Turns power On and Off.

#### **B Mode Switches and Indicators**

Changes the conveyor speed and the wash system for 3 modes of operation:

- Energy Saver Mode
- Normal Mode
- Fast Mode

#### **C Stop Switch**

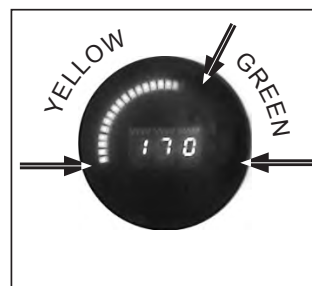
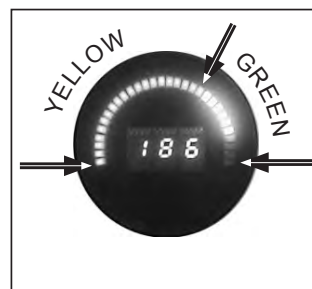
Stops the conveyor.

#### **D Digital Temperature Display Meters -**

Displays the temperature in each wash tank and the temperature of the final rinse water.

The wash tanks and the final rinse temperatures are numerically displayed and a colored bar around the numbers creates a visual indication of the temperature.

1. When the color of the bar is yellow and green then the water temperature is at or above the minimum temperature required to operate the machine.
2. When the color of the bar is yellow then the water temperature is below the minimum temperature required to operate the machine. Wait until the temperature has reached the proper operating temperature.



## Operation

### Control Panel Mode Selection

Control Switches are located on the front of the top-mounted control cabinet.

The operator can preset a mode of operation or change the preset mode while the belt is moving.

1. Power Switch
2. Energy Saver Mode Selector Switch
3. Energy Saver Mode Indicator Light
4. Normal Mode Selector Switch
5. Normal Mode Indicator Light
6. Fast Mode Selector Switch
7. Fast Mode Indicator Light
8. Conveyor Stop Switch



*Power Switch is ON, no conveyor speed is selected.*

#### **To operate the dishwasher in the Energy Saver mode:**

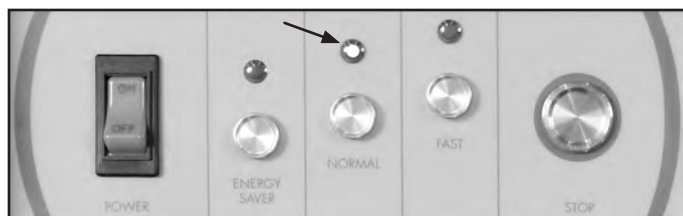
1. Push the Energy Saver Mode Selector Switch.
2. The Energy Saver Indicator will illuminate.
3. The conveyor belt will run.
4. Push the Stop Switch.
5. The conveyor belt will stop.
6. The Energy Saver Mode Indicator remains illuminated.



*Power Switch is ON, Energy Saver Mode is selected.*

#### **To operate the dishwasher in the Normal mode:**

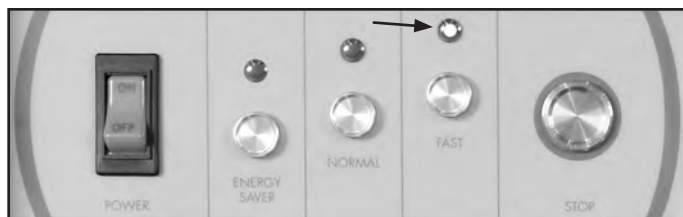
1. Push the Normal Mode Selector Switch.
2. The Energy Saver Mode Indicator will go out.
3. The Normal Mode Indicator will illuminate.
4. The conveyor belt will run.
5. Push the Stop Switch.
6. The conveyor belt will stop.
7. The Normal Mode Indicator remains illuminated.



*Power Switch is ON, Normal Mode is selected.*

#### **To operate the dishwasher in the Fast mode:**

1. Push the Fast Speed Selector Switch.
2. The Normal Mode Indicator will go out.
3. The Fast Mode Indicator will illuminate.
4. The conveyor belt will run.
5. Push the Stop Switch.
6. The conveyor belt will stop.
7. The Fast Mode Indicator remains illuminated.



*Power Switch is ON, Fast Mode is selected.*

**Note:** Push the Power Switch OFF and all Mode Indicator Lights go out. Push the Power Switch ON, then push a Mode Selector Switch to begin operation.

## Operation

### Control Panel Digital Temperature Display

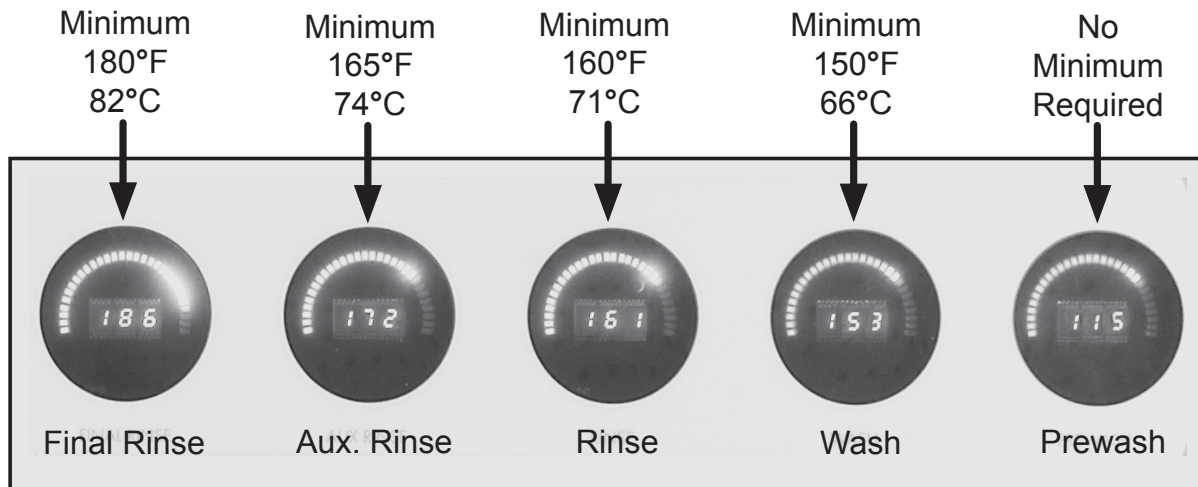


Right-to-Left (R-L)  
Operation Shown

Digital Temperature Display Meters

The wash tanks, auxiliary rinse, and final rinse water temperatures are displayed on digital displays located on the right-side of the control panel. The displays are labeled according to the tank or rinse water section that is being monitored. The illustrations above and below show the arrangement for a Right-to-Left dishwasher. The arrangement would be reversed for a Left-to-Right machine.

The minimum temperatures shown below must be maintained when the dishwasher is washing wares. A longer wait time or corrective measures should be taken immediately to maintain the temperatures.



#### ATTENTION

The temperature displays must be checked repeatedly whenever the wash pumps are running and wares are being washed to make sure that the proper temperatures are being maintained.

## Operation

### Remote Start/Stop Stations

When the conveyor belt is moving the operator can stop the belt without using the switches on the control cabinet. The standard Start/Stop switch station located on the load-end of the dishwasher. An optional station is available as an option.

To operate the Start/Stop station:

1. Push the Stop switch. The conveyor belt will stop moving.
2. The timed cycle will pause.
3. Push the Start switch and the conveyor belt will run. The timed cycle will resume where it left off.

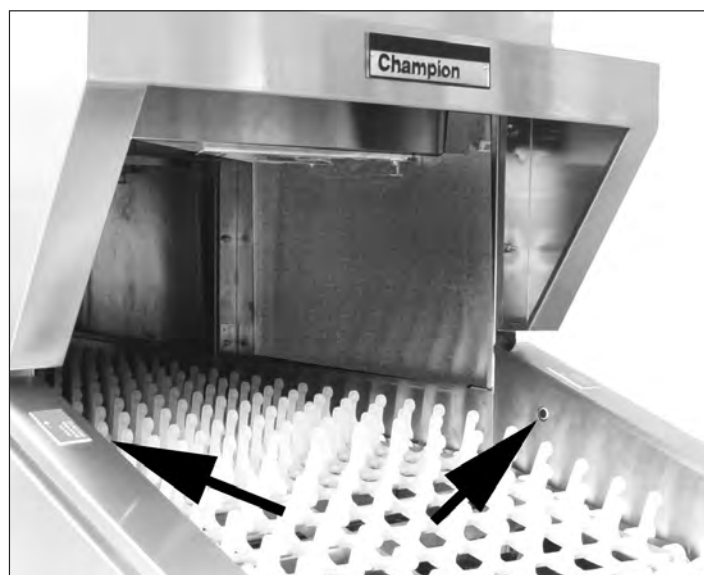


*A Remote Start/Stop Station is located on the load-end of the dishwasher.*

The wash pumps start automatically when wares that are placed on the conveyor belt pass through a set of electric eyes that are mounted on the load-end of the dishwasher. The electric eyes create an infrared beam across the belt which, when blocked by wares, start the wash pumps (*see the photo to the right*).

To start the wash pumps using the electric eyes:

1. Place wares on the belt.
2. Start the conveyor belt from the control panel or the Start/Stop station.
3. Continuing to place wares on the conveyor belt will activate the electric eyes and keep the wash pumps running until wares are no longer placed on the conveyor belt.



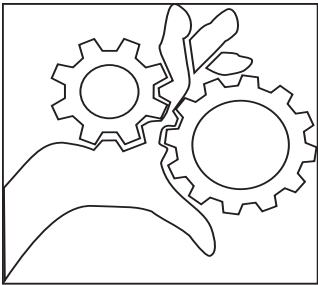
#### Note:

The wash pumps operate on a timed cycle that will automatically stop the wash pumps when the wares have moved through the machine, are sanitized in the final rinse, and then exit the machine.

It is important that the electric eyes be cleaned regularly to prevent soils from obstructing the infrared beam. Clean the electric eyes with a mild detergent and a soft cloth. Do not use a scouring pad.

## Operation

### Conveyor Shut-off Shelf



**WARNING:**

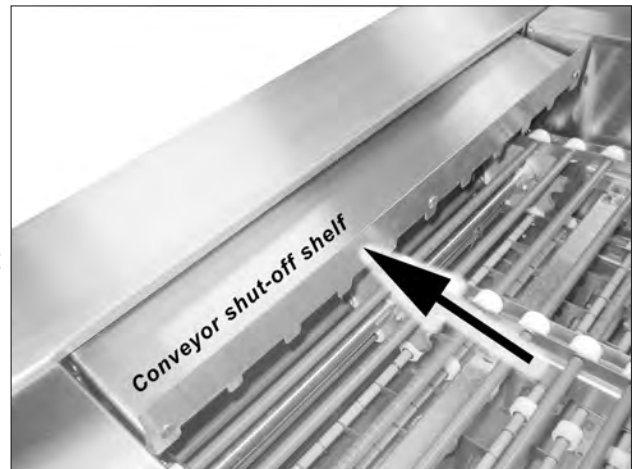
Moving Conveyor Parts may cause INJURY OR DEATH. Keep hands and clothing clear of the conveyor when the conveyor is moving.

USE EXTREME CAUTION WHEN THE CONVEYOR IS MOVING.

The Conveyor Shut-off Shelf is designed to stop the conveyor belt when wares traveling on the conveyor belt reach the end of the unload section. This prevents wares from being damaged and prevents the conveyor belt from jamming. The Shut-off Shelf is located on the extreme end of the un-load end section of the dishwasher.

The Conveyor Shut-off Shelf functions in the following way:

1. When wares contact the shut-off shelf the shelf pivots backward stopping the conveyor belt.
2. The shut-off shelf also will stop the optional blower-dryer heat off if the machine is equipped with the blower-dryer.
3. The wash pumps continue to run when the conveyor belt stops
4. The machine operator should remove the wares on the unload section of the belt making sure that no wares have fallen below the conveyor belt.
5. In the event that wares have fallen below the belt, the operator must turn power off at the control panel and then remove any wares. The machine can be restarted when the wares are clear.
6. The conveyor belt will not run until the conveyor shut-off shelf is moved back to the RUN position as shown in the photos to the right.



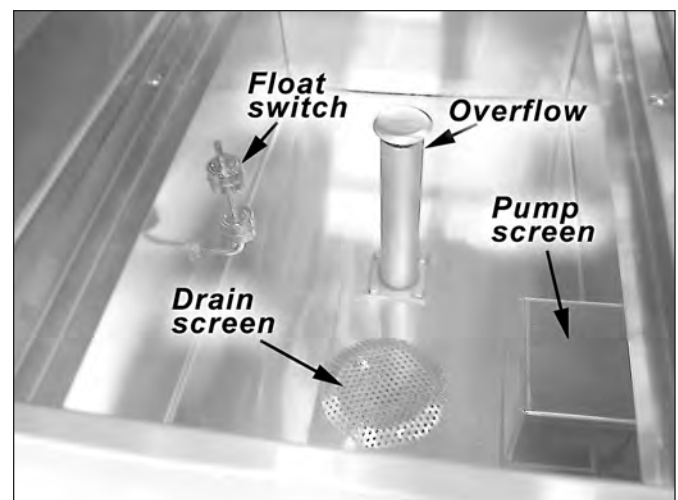
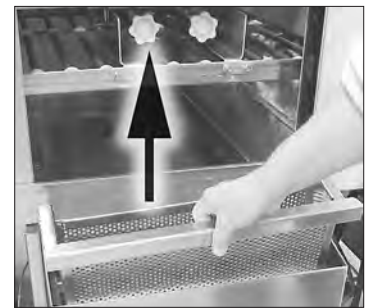
*Conveyor Shut-off shelf in the RUN position*



*Conveyor Shut-off shelf in the STOP position*

**Cleaning****After each meal period or every 2 hours of operation**

1. Turn POWER OFF.
2. Open the drain handles and drain the dishwasher.
3. Open the dishwasher doors, check that the curtains are in place and secure.
4. Check the conveyor belt for any wares that may have fallen down into the belt and remove.
5. Flush any accumulated soils from the load section tank bottom to the scrap screens at the end of the load end of the dishwasher.
6. Remove the scrap baskets, (if equipped), and scrap screens.
7. Flush the scrap screens in a sink. Do not strike the scrap screens on hard surfaces.
8. Back flush the scrap screens with water.
9. Inspect the pump intake screens, remove and clean if necessary.
10. Inspect the tank drain screens and flush if necessary.
11. Re-assemble the dishwasher in reverse order.
12. Close the drains and the dishwasher doors.
13. Turn the dishwasher power ON.
14. Wait for the tank temperatures to reach operating temperatures, then return to normal operation.



**Cleaning** (continued)

**At the end of the day.**

1. Repeat steps 1-4 in the previous section, "*After each meal period*".
2. Remove the curtains, take to a sink and clean with a mild detergent. Flush the curtains with fresh water and set aside.
3. Remove the upper and lower spray arm assemblies. Remove the pipe end-plugs and flush the interior of the spray arm pipes with clean water. Check the wash nozzles and make sure they are clear of foreign objects.
4. Check that the wash arm assembly o-rings are in place and in good condition.
5. Remove the Auxiliary rinse arms and flush with fresh water.
6. Check that the 2 o-rings on the auxiliary rinse arms are in place and in good condition.
7. Check the final rinse nozzles and clean with a small wire if clogged.
8. Flush the interior of the dishwasher with fresh clean water.
9. Repeat steps 5-10 in the previous section, "*After each meal period*".
10. Wipe the interior of the dishwasher with a clean soft cloth. Do not use a scouring pad.
11. Re-assemble the dishwasher in reverse order.
12. Remove any objects stored on the top of the dishwasher.
13. Check that any screens on the top of the machine are clear of foreign material.
14. Wipe exterior screens clean with a soft cloth.

**DO NOT HOSE THE EXTERIOR OF THE MACHINE WITH WATER.**

15. Leave the dishwasher doors open to aid in overnight-drying.

## **Maintenance**

### ***Daily Maintenance***

1. Keep your dishwasher and the surrounding area clean.
2. Check for damaged or missing components and replace as soon as possible.
3. Check building drains for flow restrictions.
4. Check the dishwasher for leaks in the door areas, around the tank seams, and above and below the dishwasher.

### ***Monthly Maintenance***

1. Perform all of steps as described in the section, "*Daily Maintenance*" above.
2. Inspect pump hoses, door linkage, springs, and exterior of dishwasher for wear.
3. Inspect the wash arm bearings and O-rings.
4. Check the condition of scrap screens and dish racks for damage.
5. Check the toggle switches and indicator lights for damage.
6. Check the wash pump motors and leaking pump seals.
7. Check the vent system on the dishwasher making sure the vent adjustment controls are secure and in good condition.
  
8. IF EQUIPPED, clean the Optional Blower Dryer and the Optional Heat Recovery according to the instructions in the Blower Dryer Service Manual P/N 114316 and the Heat Recovery Unit Service Manual P/N 114663.

### ***Annual Maintenance***

Call your authorized service agent or local service representative and schedule a complete inspection of your dishwasher by our trained professionals.

Schedule your annual maintenance when you can give the service agent unrestricted access to the dishwasher for at least 2 to 3 hours.

## Troubleshooting

On occasion your machine may not operate as expected.

Use the checklist below before you decide that a mechanical or electrical failure has occurred.

1. Are the main disconnect switches, breakers, or motor overloads turned ON?
2. Are the main water and steam supplies turned ON?
3. Are the drain valves closed?
4. Are the spray pipes and rinse nozzles clean?
5. Are the spray pipes in the proper locations?
6. Are the pump intakes clean?
7. Are the scrap screens clean and in place?
8. Are the thermostats correctly adjusted?
9. Are the high limit temperature thermostats reset?
10. Are the doors fully closed?
11. Are the conveyor shut-off and drive assemblies in operating condition?
12. Are the chemical supplies adequately filled?

If a problem still exists after verifying the checklist, refer to the following.

| PROBLEM                                   | CAUSE  | SOLUTION   |
|---|--|--|
| No power.                                 | Main Power to dishwasher off.<br>Dishwasher power switch off.<br>Dishwasher fuse blown.  | Reset main circuit breaker or turn on.<br>Turn switch on.<br>Call service agent.   |
| Dishwasher tank will not fill with water. | Main water supply off.<br>Incoming water pressure low.<br>Defective water solenoid valve.<br>Dishwasher tank drain open.<br>Dishwasher tank float switch stuck or defective. | Open main water supply valve.<br>Adjust/replace water pressure regulating valve (PRV).<br>Repair/replace valve.<br>Close tank drain handle.<br>Clean/Replace float switch. |

| PROBLEM                                    | CAUSE  | SOLUTION  |
|--|--|---|
| <p>Conveyor belt will not move.</p>        | <p>Mode switch not operated.</p> <p>Conveyor Stop Switch pressed.</p> <p>Remote Stop Switch pressed.</p> <p>Conveyor Shut-off Shelf in stop position.</p> <p>Conveyor belt jammed.</p> <p>Conveyor motor overload tripped or defective.</p>                      | <p>Push Energy Saver, Normal, or Fast Mode Selector Switch</p> <p>See above.</p> <p>Press Remote Start Switch.</p> <p>Push Shut-off Shelf to the Run position.</p> <p>Turn dishwasher power switch off. Check for jam and free belt.</p> <p>Call service agent.</p>     |
| <p>1 or moter wash pump will not run.</p>  | <p>Wash motor overload tripped.</p> <p>Defective motor.</p>  | <p>Call service agent.</p>  |
| <p>Water level in 1 or more tanks low.</p> | <p>Door not closed completely.</p> <p>Clogged solenoid valve line strainer.</p> <p>Defective solenoid valve.</p> <p>Float switch stuck/clogged with lime.</p> <p>Tank scrap screens clogged.</p> <p>Tank cross-flow piping clogged.</p> <p>Drain valve open.</p> | <p>Close door.</p> <p>Clean line strainer.</p> <p>Repair/replace valve. Call service agent.</p> <p>Free stuck float. Clean/de-lime dishwasher (Consult chemical supplier).</p> <p>Clean scrap screens.</p> <p>Drain dishwasher and clean.</p> <p>Close drain valve.</p> |
| <p>Water runs constantly.</p>              | <p>Stuck or defective float switch.</p> <p>Water pressure high.</p>  | <p>Clean or replace float switch.</p> <p>Adjust PRV or reduce incoming water pressure.</p>  |

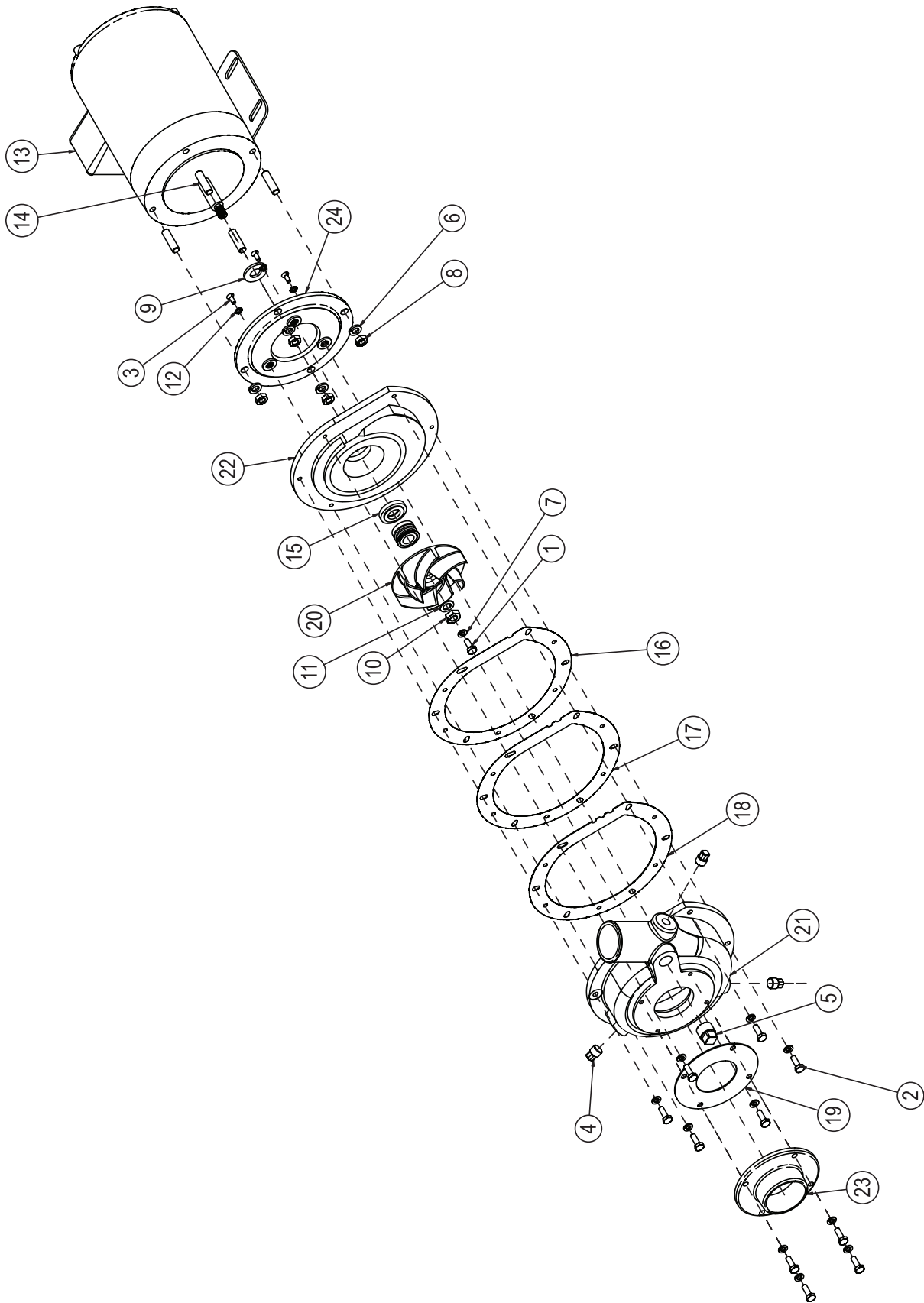
| PROBLEM  | CAUSE   | SOLUTION   |
|--|---|--|
| <p>Low wash pumped pressure.</p>                         | <p>Clogged pump intake screen.</p> <p>Clogged wash spray arm.</p> <p>Clogged scrap screen.</p> <p>Low water in the wash tank.</p> <p>Tank baffle defective.</p> <p>Pump motor rotation is incorrect.</p> <p>Curtains missing or out of place.</p>   | <p>Drain dishwasher and clean pump intake screen.</p> <p>Remove spray arm assembly and clean spray arms.</p> <p>Drain dishwasher and clean scrap screens.</p> <p>Check that drain valve is fully closed.</p> <p>Repair or replace tank baffle.</p> <p>Contact service agent.</p> <p>Re-install curtains in proper locations.</p> |
| <p>Wash tank temperature is low.</p>                     | <p>Defective digital temperature display.</p> <p>Defective tank control thermostat.</p> <p>Defective electric heater.</p> <p>Low steam pressure or steam volume.</p>  | <p>Contact service agent.</p> <p>Contact service agent.</p> <p>Contact service agent.</p> <p>Check steam supply to dishwasher dishwasher steam trap and solenoid.</p>  |
| <p>Auxiliary or final rinse pressure low.</p>            | <p>Rinse arms are clogged.</p> <p>Water solenoid valve defective.</p> <p>PRV set too low or low water pressure.</p> <p>Clogged line strainer.</p>   | <p>Check auxiliary rinse arm gaskets clean spray nozzles.</p> <p>Repair or replace solenoid valve.</p> <p>Repair or replace PRV. Increase incoming water pressure.</p> <p>Repair or replace line strainer.</p>   |
| <p>Final rinse water temperature is low.</p>             | <p>Defective digital temperature display.</p> <p>Defective tank control thermostat.</p> <p>Defective electric booster heater.</p> <p>Low steam pressure or steam volume.</p> <p>Incoming water temperature too low.</p> <p>Final rinse booster heater defective.</p> <p>Heat recovery system defective.</p> | <p>Contact service agent.</p> <p>Contact service agent.</p> <p>Contact service agent.</p> <p>Check steam supply to dishwasher dishwasher steam trap and solenoid.</p> <p>Increase water temperature coming to dishwasher.</p> <p>Repair of replace booster heater.</p> <p>Contact service agent.</p>                             |
| <p>Excessive water vapor escaping end of dishwasher.</p> | <p>Dishwasher vents closed.</p> <p>Dish room ventilation system defective.</p>  | <p>Adjust vent dampers.</p> <p>Contact building maintenance.</p>   |

# ***Service Replacement Parts***

| <b>Illustrations</b>   | <b>Page</b> |
|--|-------------|
| Pump and Motor Assembly.....   | 50          |
| Pump Installation 3HP, B4/C3/C4.....                                   | 52          |
| Right-Left Pump Installation 1HP, B-30 Prewash .....                   | 54          |
| Left-Right Pump Installation 1HP, B-30 Prewash .....                   | 56          |
| Left-Right Pump Installation 3HP, B-30 Prewash .....                   | 58          |
| Right-Left Pump Installation 3HP, B-30 Prewash .....                   | 60          |
| Righth-Left Pump Installation Auxiliary Rinse.....                     | 62          |
| Wash System Installation C8 Wash, Rinse .....                          | 64          |
| Right-Left Wash System Installation 30" Prewash .....                  | 66          |
| Left-Right Wash System Installation 1HP, 30" Prewash.....              | 68          |
| Wash System Installation C4 Single Tank .....                          | 70          |
| Wash System Installation C6 Wash, Rinse .....                          | 72          |
| Float Switches .....   | 74          |
| Electric Tank Heat Installation C4 Wash w/o Scrap Basket.....          | 76          |
| Electric Tank Heat Installation C4 Rinse w/o Scrap Basket.....         | 78          |
| Electric Tank Heat Installation C4 Wash w/ Scrap Basket.....           | 80          |
| Electric Tank Heat Installation C4 Rinse w/ Scrap Basket.....          | 82          |
| Electric Tank Heat Installation Auxiliary Rinse.....                   | 84          |
| Electric Booster Installation .....                                    | 86          |
| Electric Booster Fill Piping Assembly .....                            | 88          |
| Fill Piping Assembly (no electric booster).....                        | 90          |
| Electric Booster Element Configurations.....                           | 92-97       |
| Final Rinse Installation EEUCCW8 .....                                 | 98          |
| Hot Water Coil Tank Heat EEUCCW .....                                  | 100         |
| #120-1 Steam Booster Installation .....                                | 102         |
| #120-1 Steam Booster Assembly .....                                    | 104         |
| Steam Coil Heat Installation C4 Wash, Rinse, 15-30 PSI .....           | 106         |
| Steam Coil Heat Installation C3 Wash, Rinse, 15-30 PSI .....           | 108         |
| Steam Coil Heat Installation, Auxiliary Rinse, 15-30 PSI.....          | 112         |
| Steam Injector Heat Installation C4/C8, 15-30 PSI .....                | 116         |
| Steam Injector Heat Installation, Auxiliary Rinse, R-L, 15-30 PSI..... | 120         |
| Cold Water Fill Piping Sub-assembly .....                              | 124         |
| Drain Installation B-30 Prewash RL.....                                | 126         |
| Drain Installation B-30 Prewash LR.....                                | 128         |
| Drain Installation C4 Wash, Rinse.....                                 | 130         |

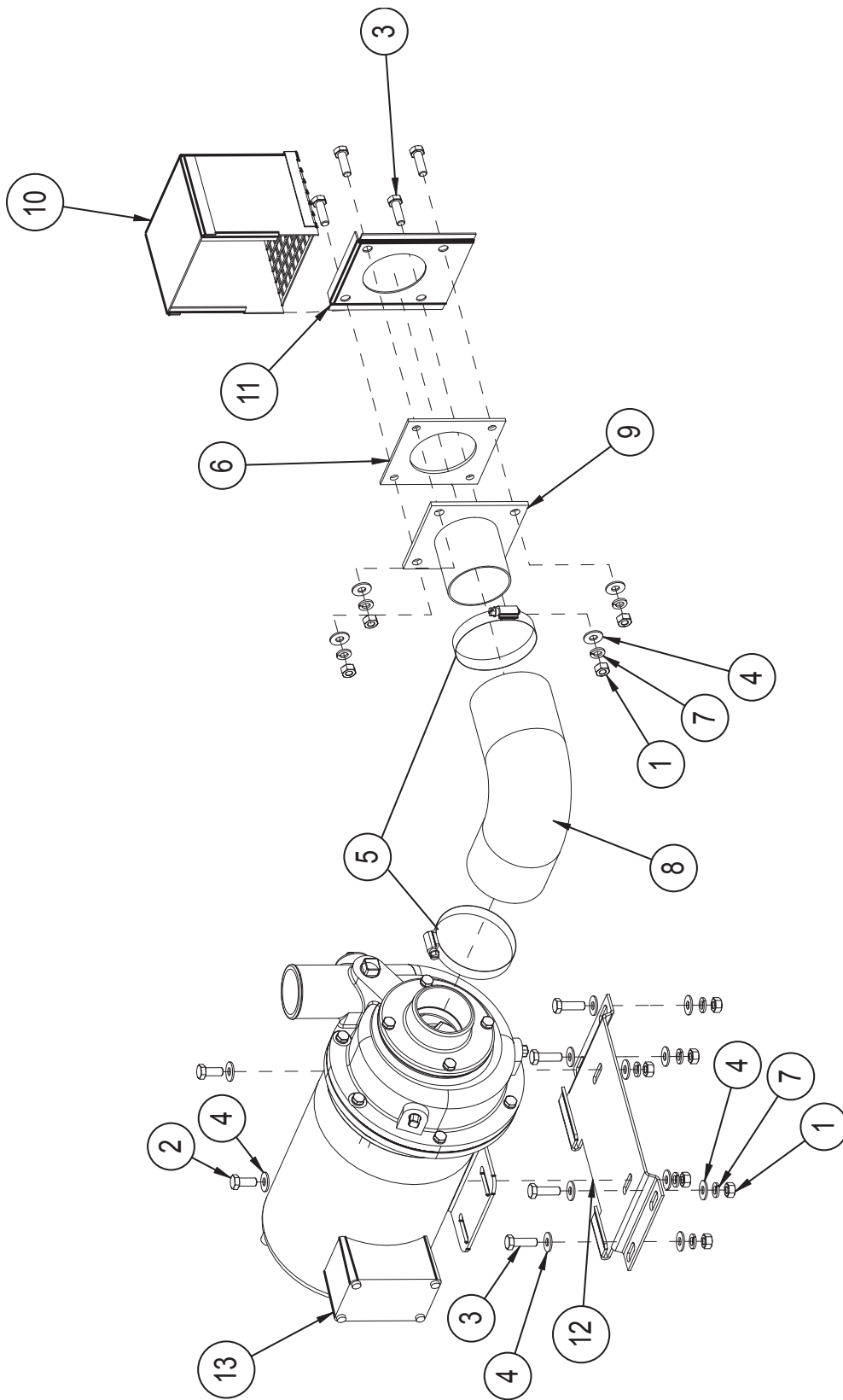
| <b>Illustrations</b>                                     | <b>Page</b> |
|--|-------------|
| Drain Installation Auxiliary LR.....                     | 132         |
| Drain Installation D5 Unload.....                        | 134         |
| Drain Installation B4 Prewash RL.....                    | 136         |
| Drain Installation B-30 Prewash LR.....                  | 138         |
| Drain Installation C3 Wash, Rinse.....                   | 140         |
| Electric Eyes, Start-Stop Station, Flushing Nozzles..... | 142         |
| Drive Shaft Assembly.....                                | 144         |
| Drive Inverter Control Box.....                          | 146         |
| Idle Shaft Assembly.....                                 | 148         |
| Peg and Peg w/Upper Rod Conveyor Belts.....              | 150         |
| Flat and Insulated Conveyor Belts.....                   | 152         |
| Stainless Steel Conveyor Belt.....                       | 154         |
| Vent Cowl Installation.....                              | 156         |
| Curtain Installations.....                               | 158-171     |
| Control Cabinet.....                                     | 172         |
| Tank Baffles.....  | 174         |
| Scrap Screens.....                                       | 176         |
| Standard 30" Door Assembly.....                          | 178         |
| Split Door Assembly.....                                 | 180         |
| Swing-out Door Assembly B30 R-L/E2 L-R.....              | 182         |
| Swing-out Door Assembly E2 R-L/B30 L-R.....              | 184         |
| Swing-out Door Assembly C4.....                          | 186         |

Pump and Motor Assembly



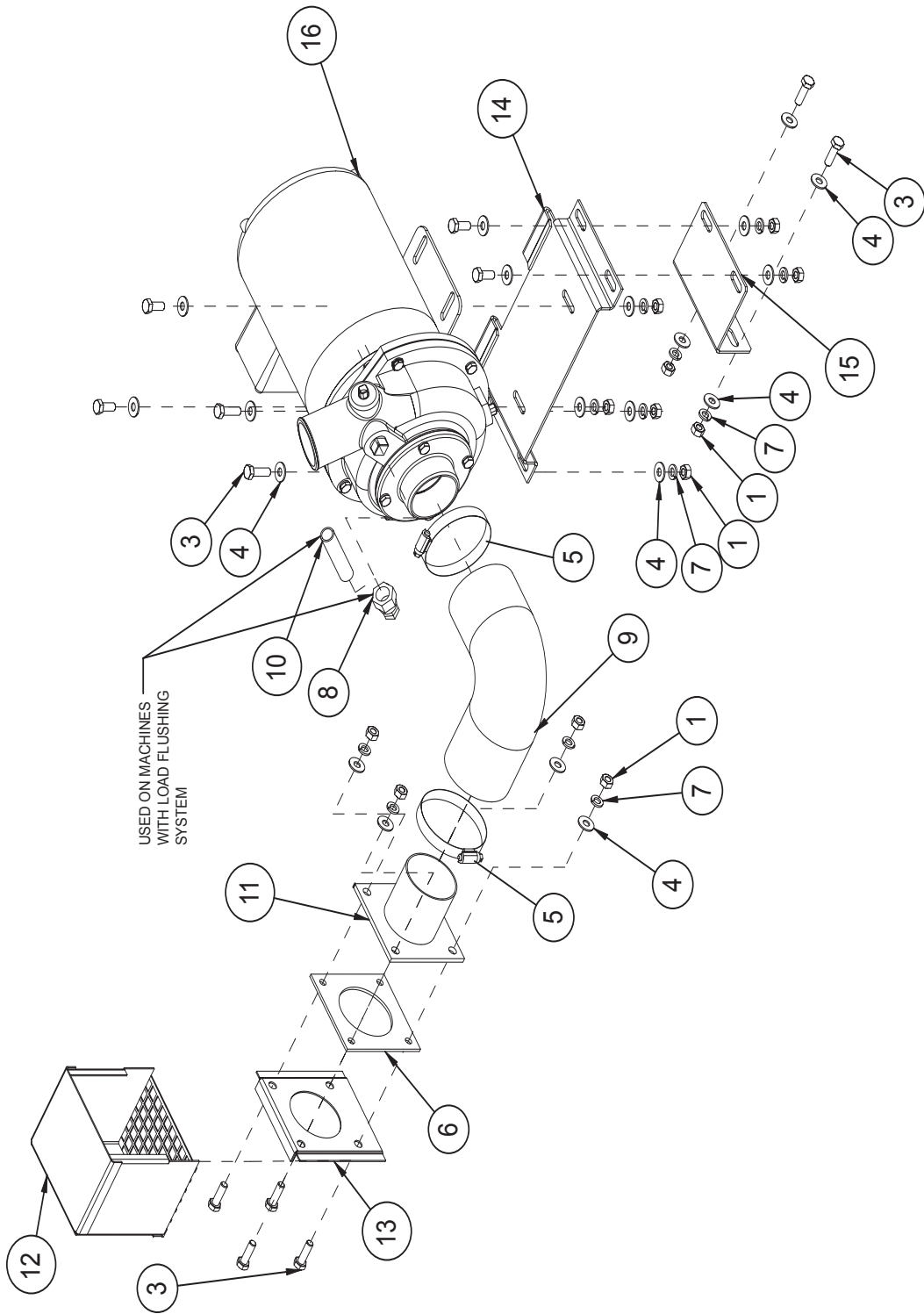
| Item No. | Part No. | Description                                 | Qty. |
|----------|----------|---|------|
| 1        | 100735   | HEX HEAD,1/4-20 X 5/8 SST                   | 1    |
| 2        | 100736   | HEX HEAD,1/4-20 X 3/4 SS T                  | 10   |
| 3        | 100754   | SCREW,FLAT HEAD,10-32 X 1/2 SST             | 3    |
| 4        | 102500   | PLUG,1/4"NPT SQ.HEAD,BRASS                  | 3    |
| 5        | 102504   | PLUG,1/2"NPT SQ.HEAD,BRASS                  | 1    |
| 6        | 106407   | WASHER,LOCK,3/8 SPLIT,SST                   | 4    |
| 7        | 106482   | WASHER,LOCK,1/4 SPLIT,SST                   | 11   |
| 8        | 107690   | HEX PLAIN JAM NUT,3/8-16 SST                | 4    |
| 9        | 109654   | SLINGER, JET PUMP                           | 1    |
| 10       | 110247   | HEX PLAIN JAM NUT,7/16-14 SST               | 1    |
| 11       | 110248   | WASHER,FLAT,.440x.750x.043 SST              | 1    |
| 12       | 110270   | WASHER,LOCK,CSK EXTERNAL TOOTH,#10          | 3    |
| 13       | 110424   | MOTOR,3HP 3PH, MV JET PUMP                  | 1    |
| 14       | 110734   | STUD,3/8-16 X 1 3/8 LG.SST,PUMP             | 4    |
| 15       | 111111   | SEAL ASSY,CI PUMP                           | 1    |
| 16       | 111941   | GASKET,PUMP VOLUTE,.0085 THICK              | 1    |
| 17       | 111942   | GASKET,PUMP VOLUTE,.015 THICK               | 1    |
| 18       | 111943   | GASKET,PUMP VOLUTE,.032 THICK               | 1    |
| 19       | 112338   | GASKET,PUMP SUCTION FLANGE                  | 1    |
| 20       | 113120   | IMPELLER,3HP SST,MACHINED B4 /C3 / C4 EUCCW | 1    |
| ---      | ---      | IMPELLER,3HP SST,MACHINED B4 / C4 EUCC      | 1    |
| ---      | 113119   | IMPELLER,3HP SST,MACHINED C3 EUCC           | 1    |
| 21       | 113634   | VOLUTE,JET PUMP,SST                         | 1    |
| 22       | 113635   | FLANGE,JET PUMP,SST                         | 1    |
| 23       | 113636   | SUCTION FLANGE                              | 1    |
| 24       | 204460   | BACKING PLATE,NG JET PUMP                   | 1    |

113263 MOTOR, 3HP, 575V/60/3



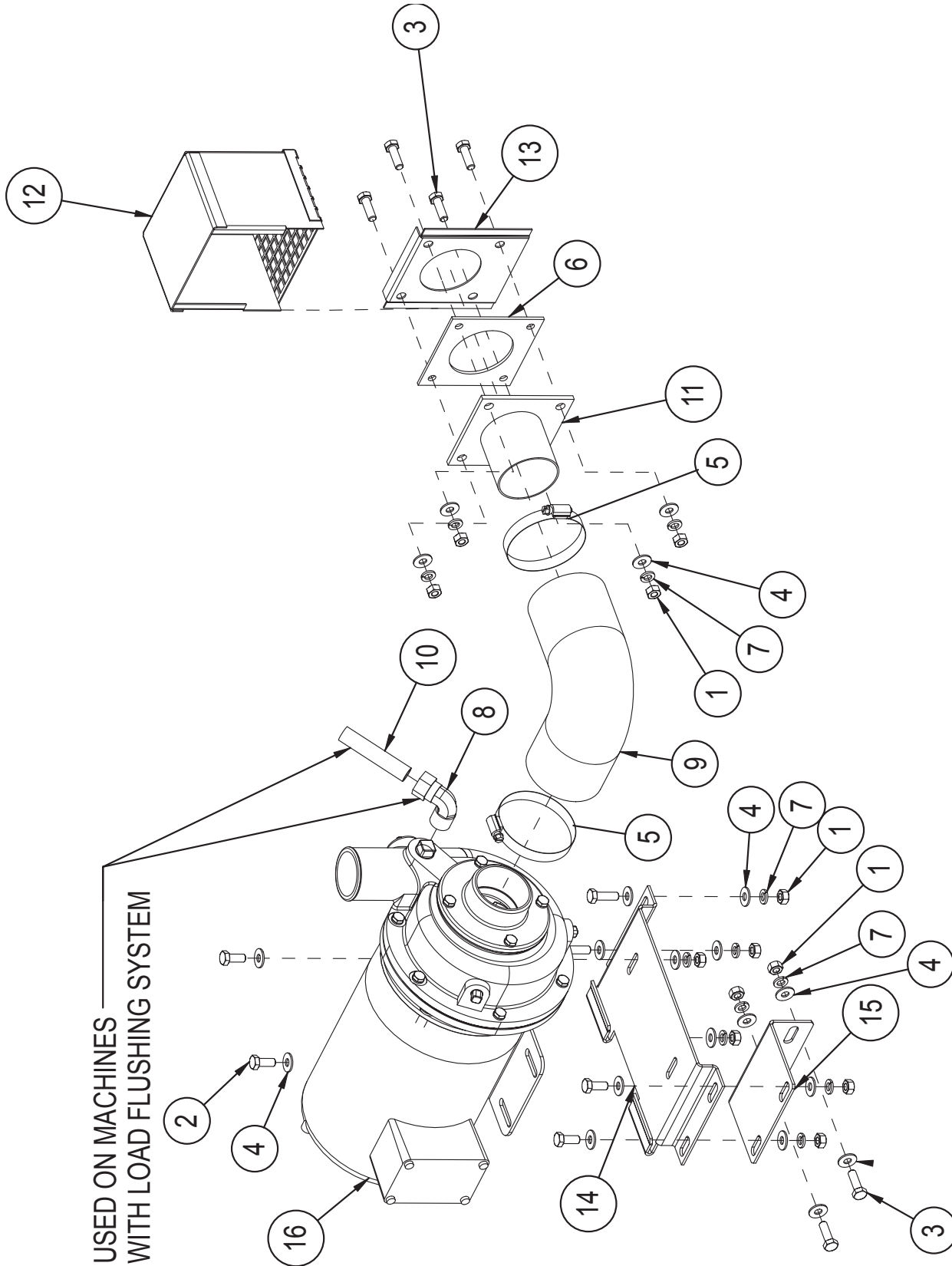
| Item No. | Part No. | Description                                 | Qty. |
|----------|----------|---|------|
| 1        | 100154   | HEX PLAIN NUT,5/16-18 SST                   | 10   |
| 2        | 100739   | HEX HEAD,5/16-18 X 3/4 SST                  | 2    |
| 3        | 100740   | HEX HEAD,5/16-18 X 1 SS T                   | 8    |
| 4        | 102376   | WASHER,FLAT,5/16 x 3/4 x.06 SST             | 16   |
| 5        | 104203   | CLAMP,HOSE,M52,71/95,SST GEAR TYPE          | 2    |
| 6        | 104640   | GASKET,PUMP SUCTION RACK/CC/UC              | 1    |
| 7        | 106013   | WASHER,LOCK,5/16 SPLIT,SST                  | 10   |
| 8        | 110372   | HOSE,PUMP SUCTION,UC                        | 1    |
| 9        | 313300   | FLANGE WELD,PUMP SUCTION,UC                 | 1    |
| 10       | 319742   | HOOD WELDMENT,PUMP SUCTION,UC               | 1    |
| 11       | 319743   | PLATE,PUMP SUCTION HOOD                     | 1    |
| 12       | 320918   | SUPPORT,PUMP MOTOR,C3 NUCCW                 | 1    |
| 13       | 405923   | PUMP ASSY,3HP MV 3PH, UC B4 / C3 / C4 EUCCW | 1    |
| ---      | ---      | PUMP ASSY,3HP MV 3PH, UC B4 / C4 EUCC       | 1    |
| ---      | 405922   | PUMP ASSY,3HP MV 3PH, UC C3 EUCC            | 1    |
|          | 415920   | PUMP ASSY, 3HP, 575/60/3 LH, UC B4/C3 EUCCW |      |
|          | 415921   | PUMP ASSY, 3HP, 575/60/3 RH, UC B4/C4 EUCC  |      |

Right-Left Pump Installation 1HP, B-30 Prewash



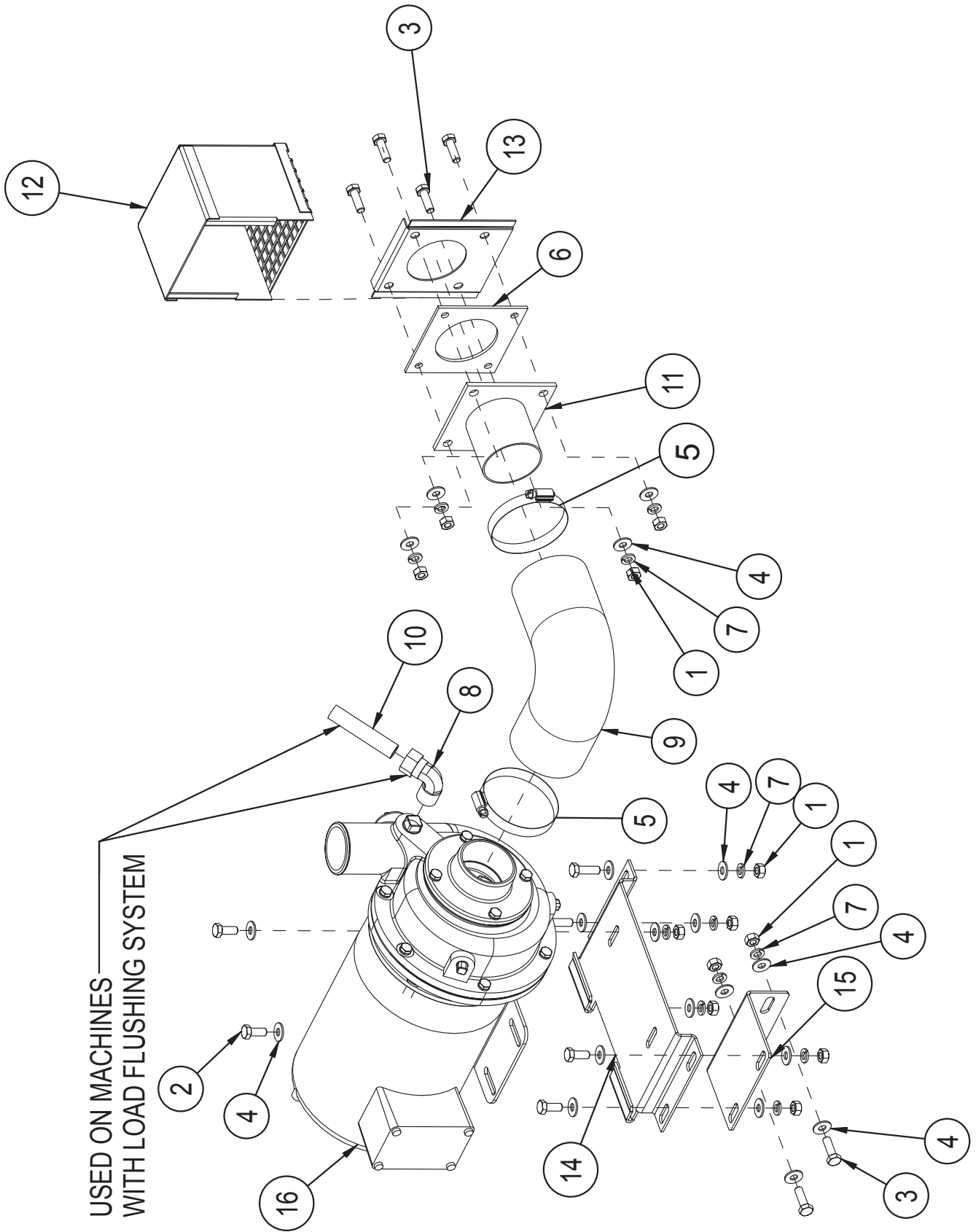
| Item No. | Part No.   | Description                                    | Qty. |
|----------|------------|--|------|
| 1        | 100154     | HEX PLAIN NUT,5/16-18 SST                      | 12   |
| 2        | 100739     | HEX HEAD,5/16-18 X 3/4 SST                     | 4    |
| 3        | 100740     | HEX HEAD,5/16-18 X 1 SST                       | 8    |
| 4        | 102376     | WASHER,FLAT,5/16x3/4x.06 SST                   | 20   |
| 5        | 104203     | CLAMP,HOSE,SST GEAR TYPE                       | 2    |
| 6        | 104640     | GASKET,PUMP SUCTION RACK/CC/UC                 | 1    |
| 7        | 106013     | WASHER,LOCK,5/16 SPLIT,SST                     | 12   |
| 8        | 109926     | FITTING,COMPRESSION,5/8OD X 1/2"MNPT,ELL,BRASS | 1    |
| 9        | 110372     | HOSE,PUMP SUCTION,UC                           | 1    |
| 10       | 205192     | TUBE,1/2"COPPER X 3.00"LG                      | 1    |
| 11       | 313300     | FLANGE WELD,PUMP SUCTION,UC                    | 1    |
| 12       | 319742     | HOOD WELDMENT,PUMP SUCTION,UC                  | 1    |
| 13       | 319743     | PLATE,PUMP SUCTION HOOD                        | 1    |
| 14       | 322150     | SUPPORT,PUMP MOTOR,B2 NUCCW                    | 1    |
| 15       | 329618     | BRACKET,PUMP SUPPORT,B-30 W/A3                 | 1    |
| 16       | 405919-120 | PUMP ASSY,1HP MV 3PH                           | 1    |
|          | 415917 □   | PUMP ASSY, 1HP, 575/60/3, UC                   |      |

Left-Right Pump Installation 1HP, B-30 Prewash



| Item No. | Part No. | Description                                    | Qty. |
|----------|----------|--|------|
| 1        | 100154   | HEX PLAIN NUT,5/16-18 SST                      | 12   |
| 2        | 100739   | HEX HEAD,5/16-18 X 3/4 SST                     | 4    |
| 3        | 100740   | HEX HEAD,5/16-18 X 1 SST                       | 8    |
| 4        | 102376   | WASHER,FLAT,5/16x3/4x.06 SST                   | 20   |
| 5        | 104203   | CLAMP,HOSE,M52,71/95,SST GEAR TYPE             | 2    |
| 6        | 104640   | GASKET,PUMP SUCTION RACK/CC/UC                 | 1    |
| 7        | 106013   | WASHER,LOCK,5/16 SPLIT,SST                     | 12   |
| 8        | 109926   | FITTING,COMPRESSION,5/8OD X 1/2"MNPT,ELL,BRASS | 1    |
| 9        | 110372   | HOSE,PUMP SUCTION,UC                           | 1    |
| 10       | 205192   | TUBE,1/2"COPPER X 3.00"LG                      | 1    |
| 11       | 313300   | FLANGE WELD,PUMP SUCTION,UC                    | 1    |
| 12       | 319742   | HOOD WELDMENT,PUMP SUCTION,UC                  | 1    |
| 13       | 319743   | PLATE,PUMP SUCTION HOOD                        | 1    |
| 14       | 322150   | SUPPORT,PUMP MOTOR,B2 NUCCW                    | 1    |
| 15       | 329618   | BRACKET,PUMP SUPPORT,B-30 W/A3                 | 1    |
| 16       | 405919   | PUMP ASSY,1HP MV 3PH, UC                       | 1    |
| ---      | 415917   | PUMP ASSY, 1HP, 575/60/3                       |      |

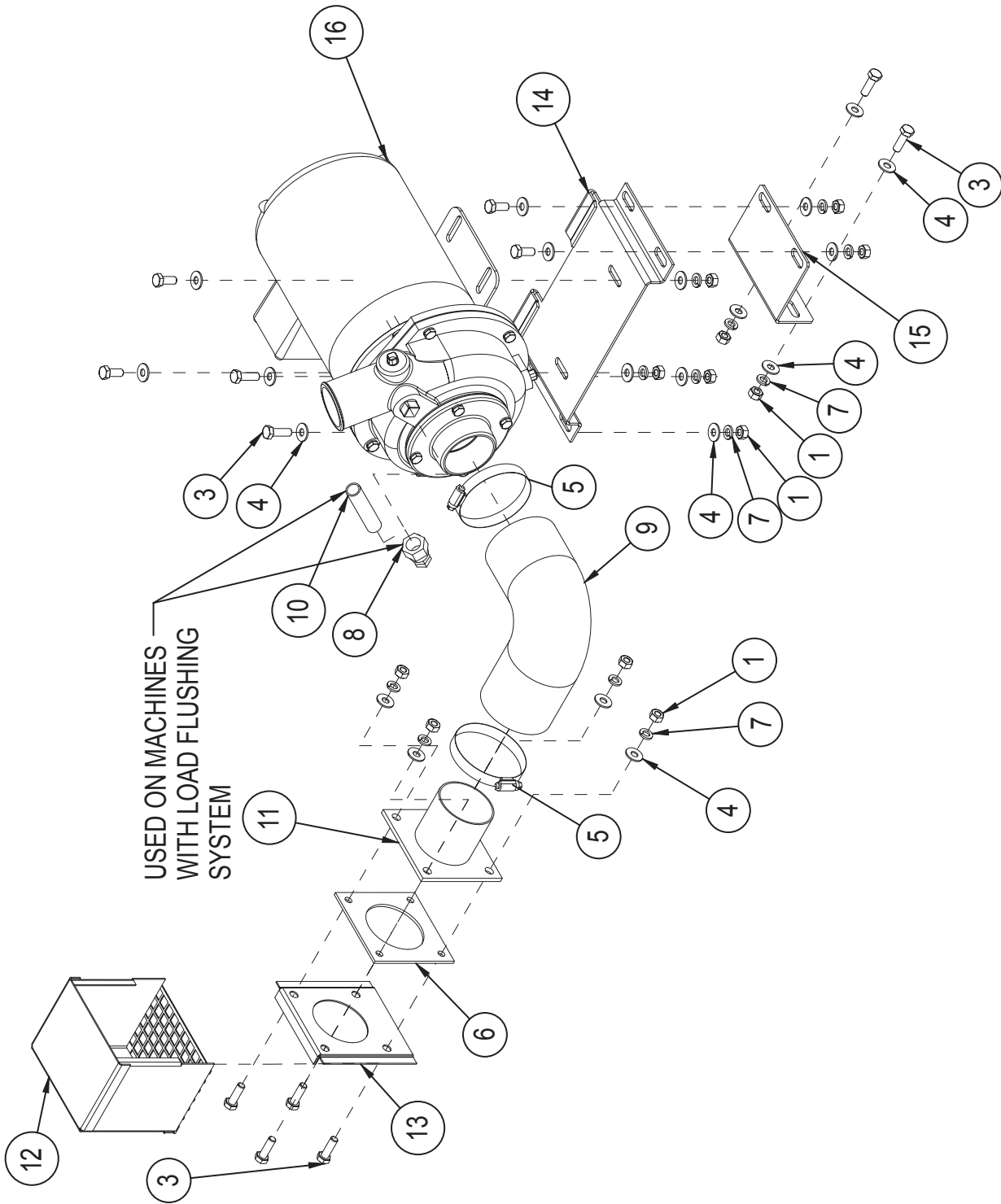
Left-Right Pump Installation 3HP, B-30 Prewash



Left-Right Pump Installation 3HP, B-30 Prewash

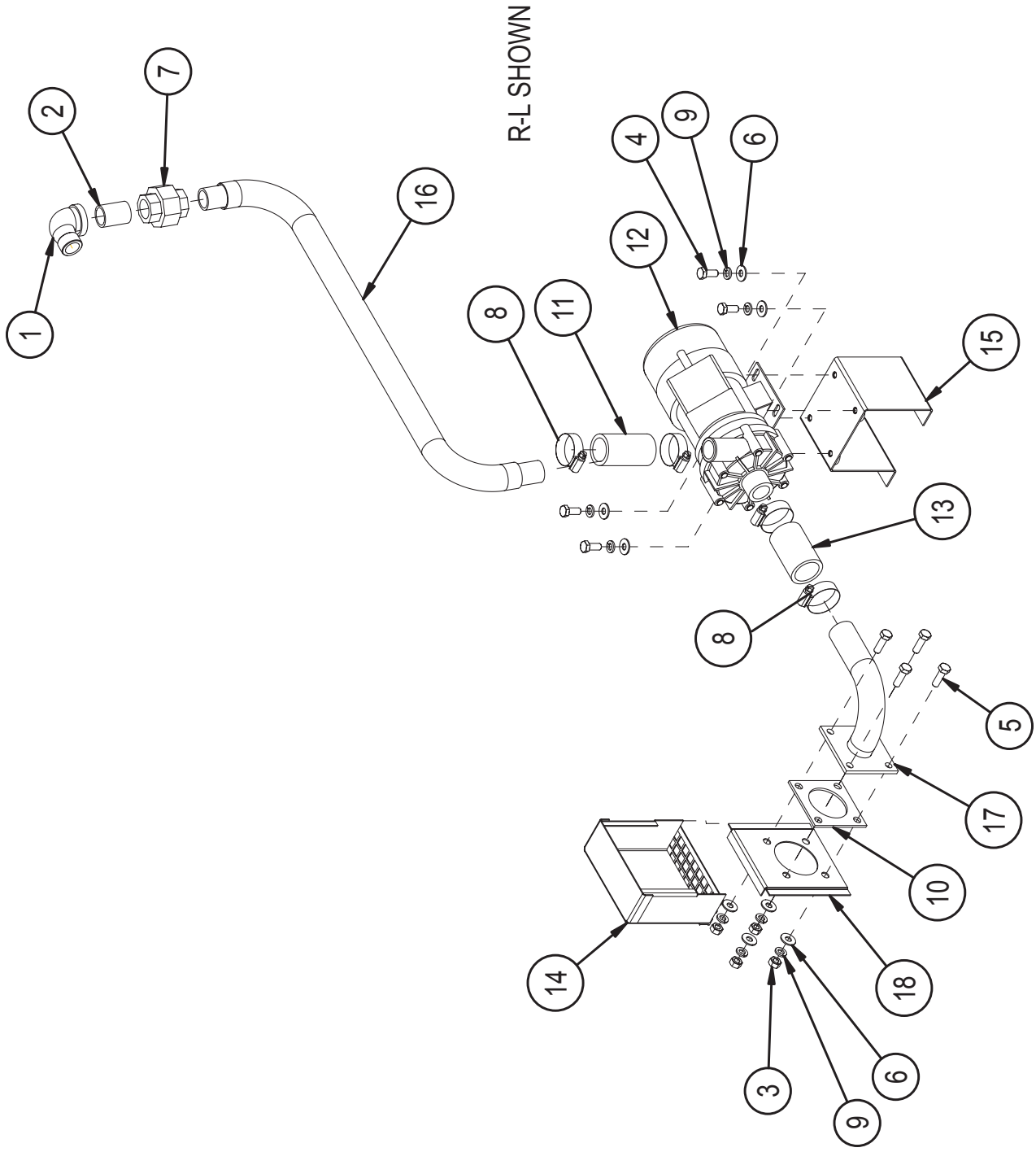
| Item No. | Part No. | Description                                    | Qty. |
|----------|----------|--|------|
| 1        | 100154   | HEX PLAIN NUT,5/16-18 SST                      | 12   |
| 2        | 100739   | HEX HEAD,5/16-18 X 3/4 SST                     | 4    |
| 3        | 100740   | HEX HEAD,5/16-18 X 1 SST                       | 8    |
| 4        | 102376   | WASHER,FLAT,5/16x3/4x.06 SST                   | 20   |
| 5        | 104203   | CLAMP,HOSE,M52,71/95,SST GEAR TYPE             | 2    |
| 6        | 104640   | GASKET,PUMP SUCTION RACK/CC/UC                 | 1    |
| 7        | 106013   | WASHER,LOCK,5/16 SPLIT,SST                     | 12   |
| 8        | 109926   | FITTING,COMPRESSION,5/8OD X 1/2"MNPT,ELL,BRASS | 1    |
| 9        | 110372   | HOSE,PUMP SUCTION,UC                           | 1    |
| 10       | 205192   | TUBE,1/2"COPPER X 3.00"LG                      | 1    |
| 11       | 313300   | FLANGE WELD,PUMP SUCTION,UC                    | 1    |
| 12       | 319742   | HOOD WELDMENT,PUMP SUCTION,UC                  | 1    |
| 13       | 319743   | PLATE,PUMP SUCTION HOOD                        | 1    |
| 14       | 322150   | SUPPORT,PUMP MOTOR,B2 NUCCW                    | 1    |
| 15       | 329618   | BRACKET,PUMP SUPPORT,B-30 W/A3                 | 1    |
| 16       | 405923   | PUMP ASSY,3HP MV 3PH, UC                       | 1    |
|          | 415920   | PUMP ASSY, 3HP, 575/60/3 LH, UC B4/C3 EUCCW    |      |
|          | 415921   | PUMP ASSY, 3HP, 575/60/3 RH, UC B4/C3 EUCC     |      |

Right-Left Pump Installation 3HP, B-30 Prewash

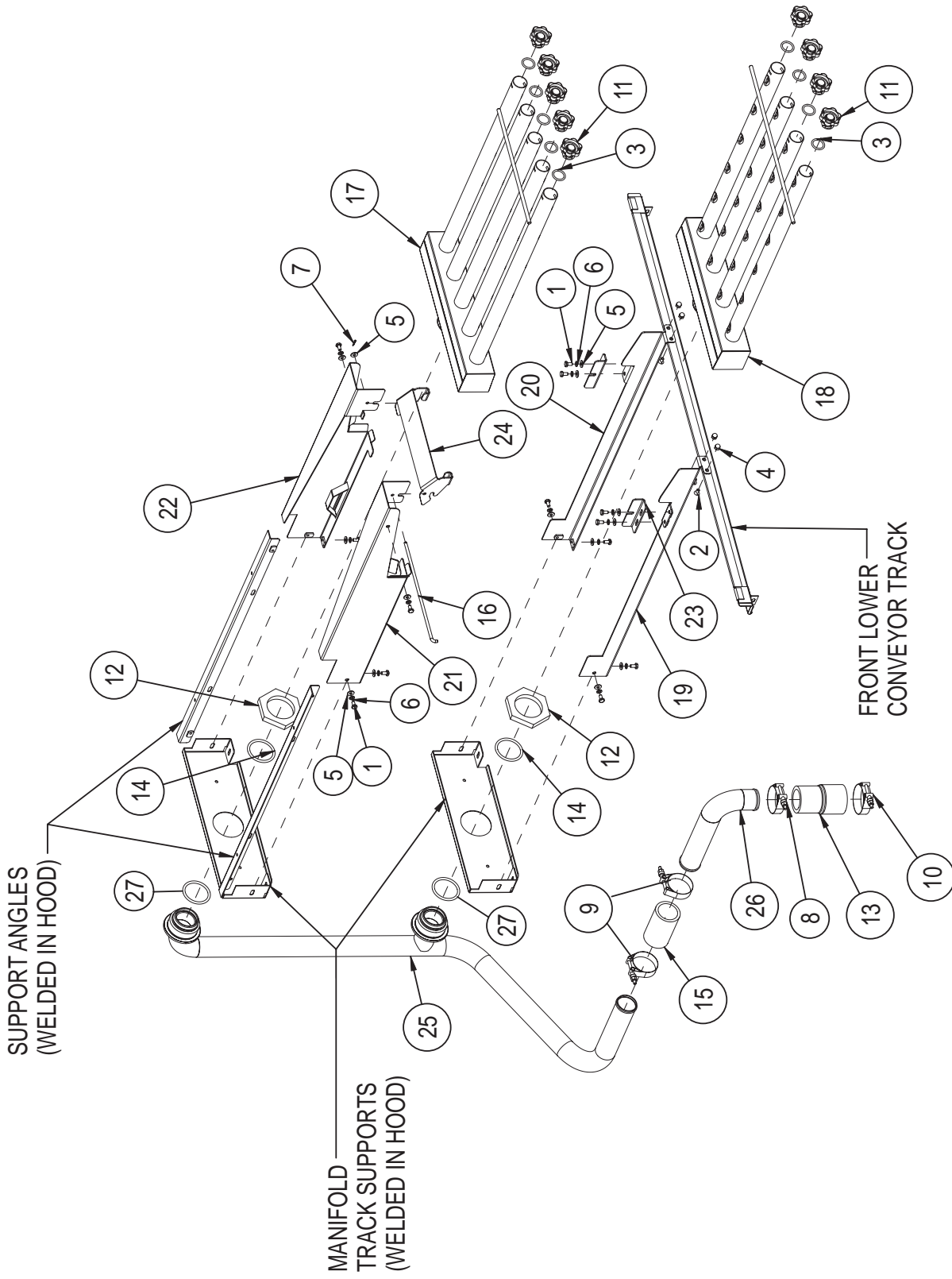


| Item No. | Part No.   | Description                                    | Qty. |
|----------|------------|--|------|
| 1        | 100154     | HEX PLAIN NUT,5/16-18 SST                      | 12   |
| 2        | 100739     | HEX HEAD,5/16-18 X 3/4 SST                     | 4    |
| 3        | 100740     | HEX HEAD,5/16-18 X 1 SST                       | 8    |
| 4        | 102376     | WASHER,FLAT,5/16x3/4x.06 SST                   | 20   |
| 5        | 104203     | CLAMP,HOSE,M52,71/95,SST GEAR TYPE             | 2    |
| 6        | 104640     | GASKET,PUMP SUCTION RACK/CC/UC                 | 1    |
| 7        | 106013     | WASHER,LOCK,5/16 SPLIT,SST                     | 12   |
| 8        | 109926     | FITTING,COMPRESSION,5/8OD X 1/2"MNPT,ELL,BRASS | 1    |
| 9        | 110372     | HOSE,PUMP SUCTION,UC                           | 1    |
| 10       | 205192     | TUBE,1/2"COPPER X 3.00"LG                      | 1    |
| 11       | 313300     | FLANGE WELD,PUMP SUCTION,UC                    | 1    |
| 12       | 319742     | HOOD WELDMENT,PUMP SUCTION,UC                  | 1    |
| 13       | 319743     | PLATE,PUMP SUCTION HOOD                        | 1    |
| 14       | 322150     | SUPPORT,PUMP MOTOR,B2 NUCCW                    | 1    |
| 15       | 329618     | BRACKET,PUMP SUPPORT,B-30 W/A3                 | 1    |
| 16       | 405923-120 | PUMP ASSY,3HP MV 3PH, UC                       | 1    |
|          | 405920     | PUMP ASSY, 3HP, 575/60/3 LH, UC B4/C3 EUCCW    |      |
|          | 405921     | PUMP ASSY, 3HP, 575/60/3 RH, UC B4/C3 EUCCW    |      |

Right-Left Pump Installation Auxiliary Rinse

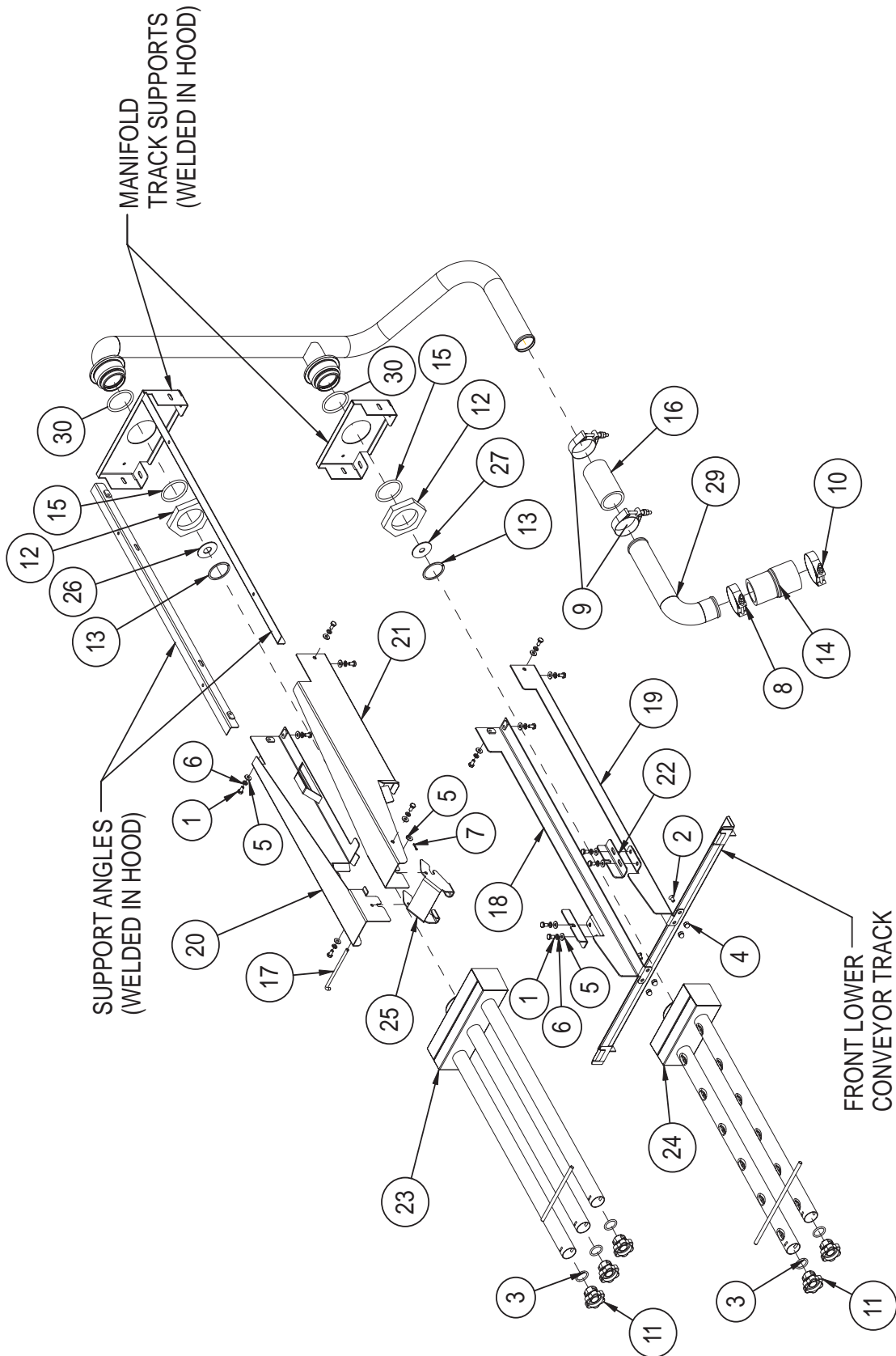


| Item No. | Part No. | Description                               | Qty. |
|----------|----------|---|------|
| 1        | 100023   | STREET ELBOW,3/4"NPT X 90,SST             | 1    |
| 2        | 100051   | NIPPLE,3/4"NPT X CLOSE,SST                | 1    |
| 3        | 100154   | HEX PLAIN NUT,5/16-18 SST                 | 4    |
| 4        | 100739   | HEX HEAD,5/16-18 X 3/4 SST                | 4    |
| 5        | 100740   | HEX HEAD,5/16-18 X 1 SST                  | 4    |
| 6        | 102376   | WASHER,FLAT,5/16x3/4x.06 SST              | 8    |
| 7        | 102554   | UNION,3/4"NPT, SST                        | 1    |
| 8        | 105993   | CLAMP,HOSE,M20,19/44,SST GEAR TYPE        | 4    |
| 9        | 106013   | WASHER,LOCK,5/16 SPLIT,SST                | 8    |
| 10       | 108345   | GASKET,HEATER/STANDPIPE                   | 1    |
| 11       | 114020   | HOSE, 1 1/8"ID x 2 3/4" x 3/16" WALL      | 1    |
| 12       | 114199   | PUMP ASSY AUXILIARY                       | 1    |
| ---      | 0509303  | KIT, PUMP BODY                            | 1    |
| ---      | 0510222  | KIT, SEAL AND GASKET                      | 1    |
| ---      | 180413   | IMPELLER                                  | 1    |
| 13       | 206643   | HOSE,1.250 ID X 2.500 LG.EPDM             | 1    |
| 14       | 322832   | HOOD WELDMENT,PUMP SUCTION,E2             | 1    |
| 15       | 329791   | BASE DECK WELD,PUMP,E2                    | 1    |
| 16       | 329796   | TUBE WELDMENT,E2 PUMP DISCHARGE EUCCW     | 1    |
| ---      | 330750   | TUBE WELDMENT,E2 PUMP DISCHARGE EUCC      | 1    |
| 17       | 329797   | FLANGE WELD,E2 PUMP SUCTION               | 1    |
| 18       | 329798   | PLATE,PUMP SUCTION HOOD,E2                | 1    |
|          | 111744□  | MOTOR, AUXILIARY, 1/4 HP, 575/60/3        |      |
|          | 452611□  | PUMP ASSY, AUXILIARY, 1/4 HP, 575/60/3□□□ |      |



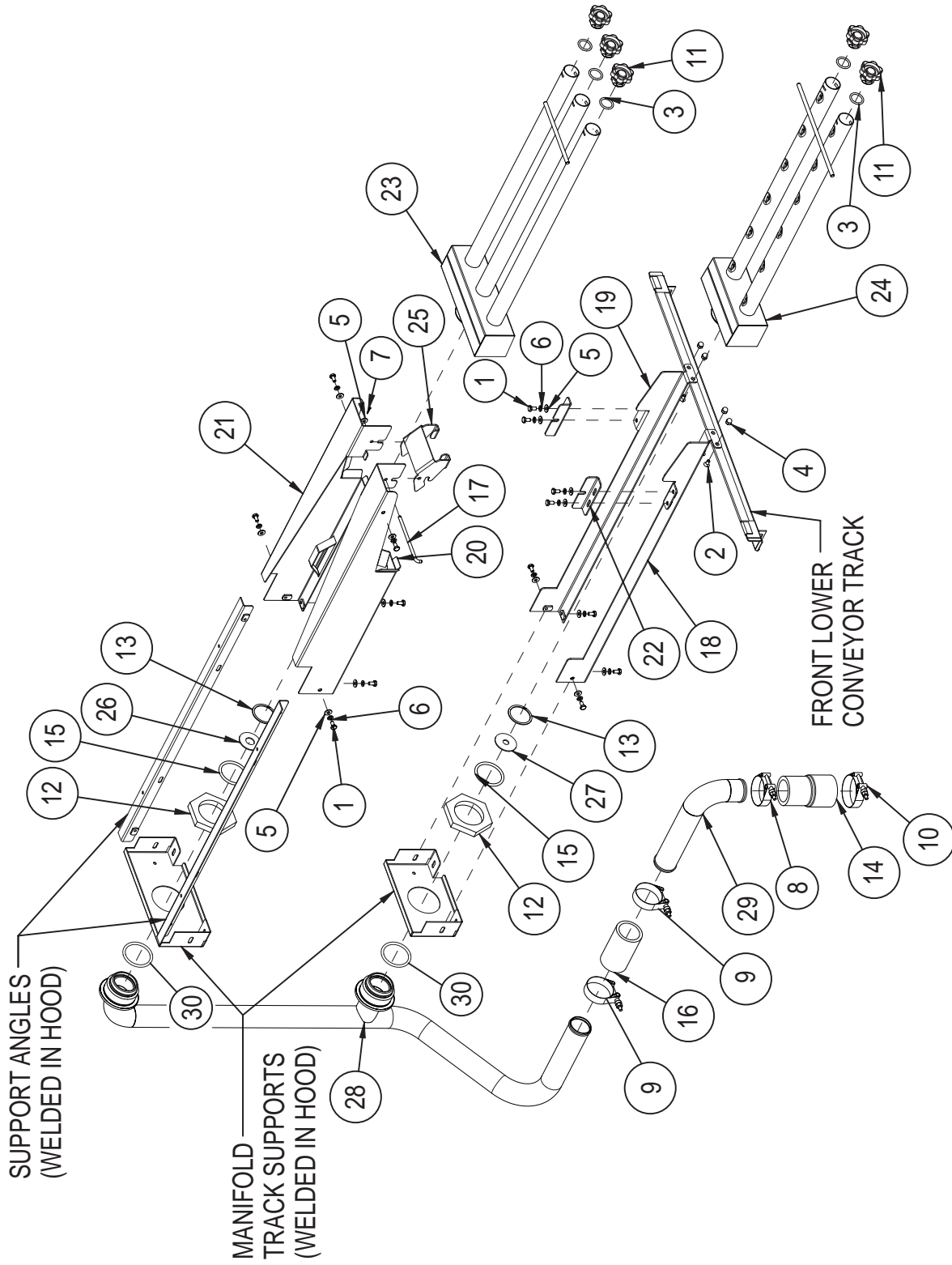
| Item No. | Part No. | Description                              | Qty. |
|----------|----------|--|------|
| 1        | 100734   | HEX HEAD,1/4-20 X 1/2 SST                | 14   |
| 2        | 100755   | SCREW,FLAT HEAD,1/4-20 X 1/2 SST         | 4    |
| 3        | 104414   | O-RING,1 X 1 1/4 X 1/8                   | 9    |
| 4        | 106014   | HEX ACORN PLAIN NUT,1/4-20 SST           | 4    |
| 5        | 106026   | WASHER,FLAT,1/4x5/8x.06 SST              | 15   |
| 6        | 106482   | WASHER,LOCK,1/4 SPLIT,SST                | 14   |
| 7        | 108875   | COTTER PIN,3/32 X 1/2 UNEVEN             | 1    |
| 8        | 110858   | HOSE CLAMP,HIGH PRESSURE,0256            | 1    |
| 9        | 111780   | HOSE CLAMP,HIGH PRESSURE,0238            | 2    |
| 10       | 111964   | HOSE CLAMP,HIGH PRESSURE,0275            | 1    |
| 11       | 112240   | PLUG, DEBOSSSED SPRAYPIPE                | 9    |
| 12       | 113911   | LOCKNUT,2 1/2" , NPSL, SST               | 2    |
| 13       | 113984   | HOSE, DISCHARGE MOLDED E                 | 1    |
| 14       | 114096   | O-RING,2.225x.210 DIA.                   | 2    |
| 15       | 202146   | HOSE,1.875 ID X 5.375 LG.EPDM            | 1    |
| 16       | 206552   | ROD, LATCH PIVOT,5 HOLE MANIFOLD         | 1    |
| 17       | 329659   | MANIFOLD WELDMENT,5 HOLE,UPPER EUCCW     | 1    |
| ---      | 330632   | MANIFOLD WELDMENT,5 HOLE,UPPER EUCC      | 1    |
| 18       | 329662   | MANIFOLD WELDMENT,4 HOLE,LOWER EUCCW     | 1    |
| ---      | 330633   | MANIFOLD WELDMENT,4 HOLE,LOWER EUCC      | 1    |
| 19       | 329669   | TRACK WELDMENT, LH LOWER, MANIFOLD EUCCW | 1    |
| ---      | 330644   | TRACK WELDMENT, LH LOWER, MANIFOLD EUCC  | 1    |
| 20       | 329670   | TRACK WELDMENT, RH LOWER, MANIFOLD EUCCW | 1    |
| ---      | 330645   | TRACK WELDMENT, RH LOWER, MANIFOLD EUCC  | 1    |
| 21       | 329672   | TRACK WELDMENT, LH UPPER, MANIFOLD EUCCW | 1    |
| ---      | 330641   | TRACK WELDMENT, LH UPPER, MANIFOLD EUCC  | 1    |
| 22       | 329673   | TRACK WELDMENT, RH UPPER, MANIFOLD EUCCW | 1    |
| ---      | 330642   | TRACK WELDMENT, RH UPPER, MANIFOLD EUCC  | 1    |
| 23       | 329674   | BRACKET, LOWER MANIFOLD LATCH            | 2    |
| 24       | 329704   | LATCH DEVP, UPPER MANIFOLD,5 HOLE        | 1    |
| 25       | 330680   | STANDPIPE WELDMENT, C4                   | 1    |
| 26       | 330838   | TUBE, PUMP DISCHARGE, WELDMENT EUCCW     | 1    |
| ---      | 330639   | TUBE, PUMP DISCHARGE, WELDMENT EUCC      | 1    |
| 27       | 114692   | GASKET, STANDPIPE                        | 2    |

Right-Left Wash System Installation 30" Prewash



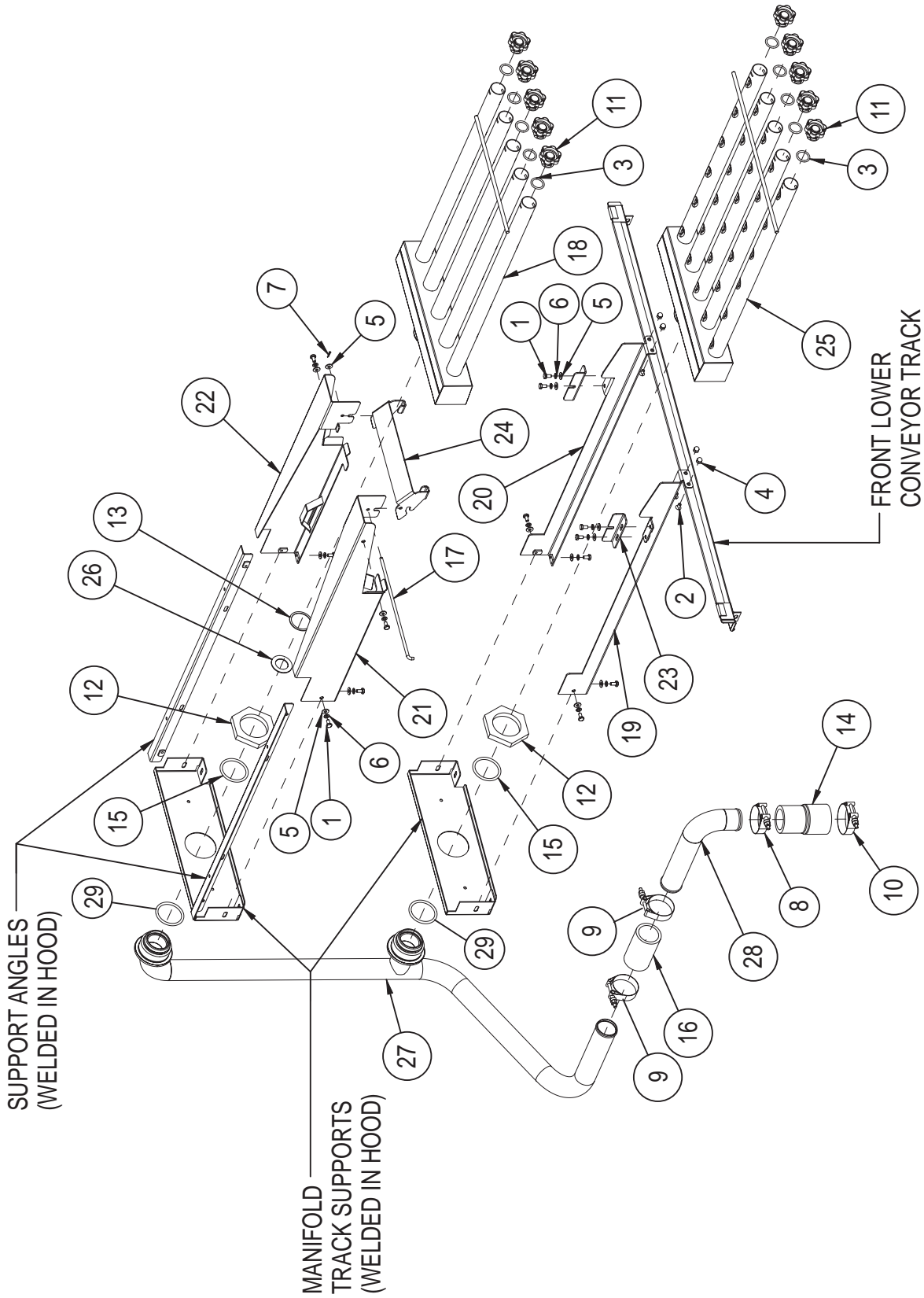
| Item No. | Part No. | Description                              | Qty. |
|----------|----------|--|------|
| 1        | 100734   | HEX HEAD,1/4-20 X 1/2 SST                | 14   |
| 2        | 100755   | SCREW,FLAT HEAD,1/4-20 X 1/2 SST         | 4    |
| 3        | 104414   | O-RING,1 X 1 1/4 X 1/8                   | 5    |
| 4        | 106014   | HEX ACORN PLAIN NUT,1/4-20 SST           | 4    |
| 5        | 106026   | WASHER,FLAT,1/4x5/8x.06 SST              | 15   |
| 6        | 106482   | WASHER,LOCK,1/4 SPLIT,SST                | 14   |
| 7        | 108875   | COTTER PIN,3/32 X 1/2 UNEVEN             | 1    |
| 8        | 110858   | HOSE CLAMP,HIGH PRESSURE,0256            | 1    |
| 9        | 111780   | HOSE CLAMP,HIGH PRESSURE,0238            | 2    |
| 10       | 111964   | HOSE CLAMP,HIGH PRESSURE,0275            | 1    |
| 11       | 112240   | PLUG, DEBOSSSED SPRAYPIPE                | 5    |
| 12       | 113911   | LOCKNUT,2 1/2" , NPSL, SST               | 2    |
| 13       | 113912   | RETAINING RING, INTERNAL, 2" BORE        | 2    |
| 14       | 113984   | HOSE, DISCHARGE MOLDED E                 | 1    |
| 15       | 114096   | O-RING,2.225x.210 DIA.                   | 2    |
| 16       | 202146   | HOSE,1.875 ID X 5.375 LG.EPDM            | 1    |
| 17       | 206553   | ROD, LATCH PIVOT,3 HOLE MANIFOLD         | 1    |
| 18       | 329669   | TRACK WELDMENT, LH LOWER, MANIFOLD EUCCW | 1    |
| ---      | 330644   | TRACK WELDMENT, LH LOWER, MANIFOLD EUCC  | 1    |
| 19       | 329670   | TRACK WELDMENT, RH LOWER, MANIFOLD EUCCW | 1    |
| ---      | 330645   | TRACK WELDMENT, RH LOWER, MANIFOLD EUCC  | 1    |
| 20       | 329672   | TRACK WELDMENT, LH UPPER, MANIFOLD EUCCW | 1    |
| ---      | 330641   | TRACK WELDMENT, LH UPPER, MANIFOLD EUCC  | 1    |
| 21       | 329673   | TRACK WELDMENT, RH UPPER, MANIFOLD EUCCW | 1    |
| ---      | 330642   | TRACK WELDMENT, RH UPPER, MANIFOLD EUCC  | 1    |
| 22       | 329674   | BRACKET, LOWER MANIFOLD LATCH            | 2    |
| 23       | 329696   | MANIFOLD WELDMENT,3 HOLE,UPPER EUCCW     | 1    |
| ---      | 330637   | MANIFOLD WELDMENT,3 HOLE,UPPER EUCC      | 1    |
| 24       | 329699   | MANIFOLD WELDMENT,2 HOLE,LOWER EUCCW     | 1    |
| ---      | 330638   | MANIFOLD WELDMENT,2 HOLE,LOWER EUCC      | 1    |
| 25       | 329705   | LATCH DEVP, UPPER MANIFOLD,3 HOLE        | 1    |
| 26       | 330308   | MANIFOLD RESTRICTOR, 0.781" ID           | 1    |
| 27       | 330309   | MANIFOLD RESTRICTOR, 0.531" ID           | 1    |
| 28       | 330698   | STANDPIPE WELDMENT,B-30 RL               | 1    |
| 29       | 330838   | TUBE, PUMP DISCHARGE, WELDMENT EUCCW     | 1    |
| ---      | 330679   | TUBE, PUMP DISCHARGE, WELDMENT EUCC      | 1    |
| 30       | 114692   | GASKET, STANDPIPE                        | 2    |

Left-Right Wash System Installation 1HP 30" Prewash

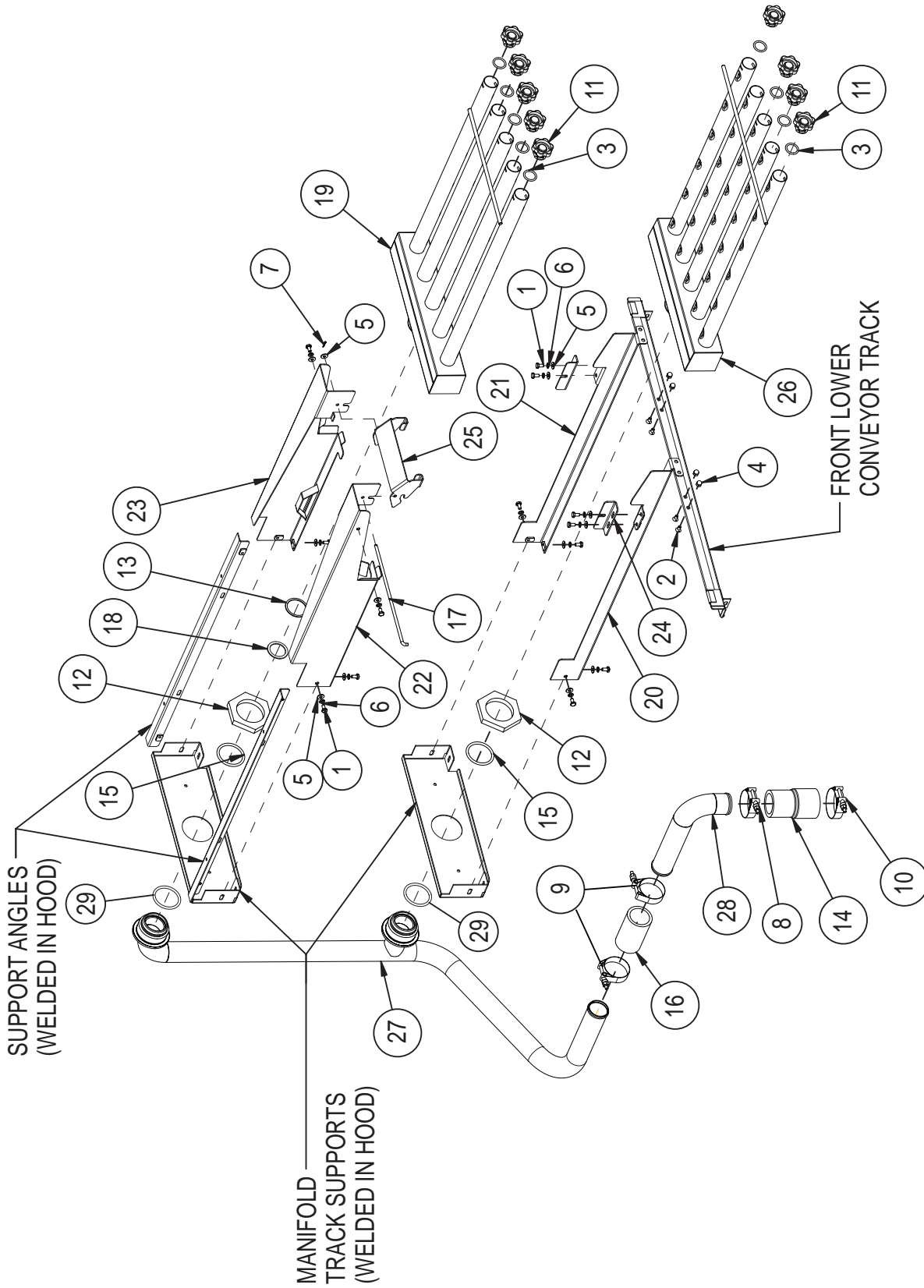


Left-Right Wash System Installation 1HP 30" Prewash

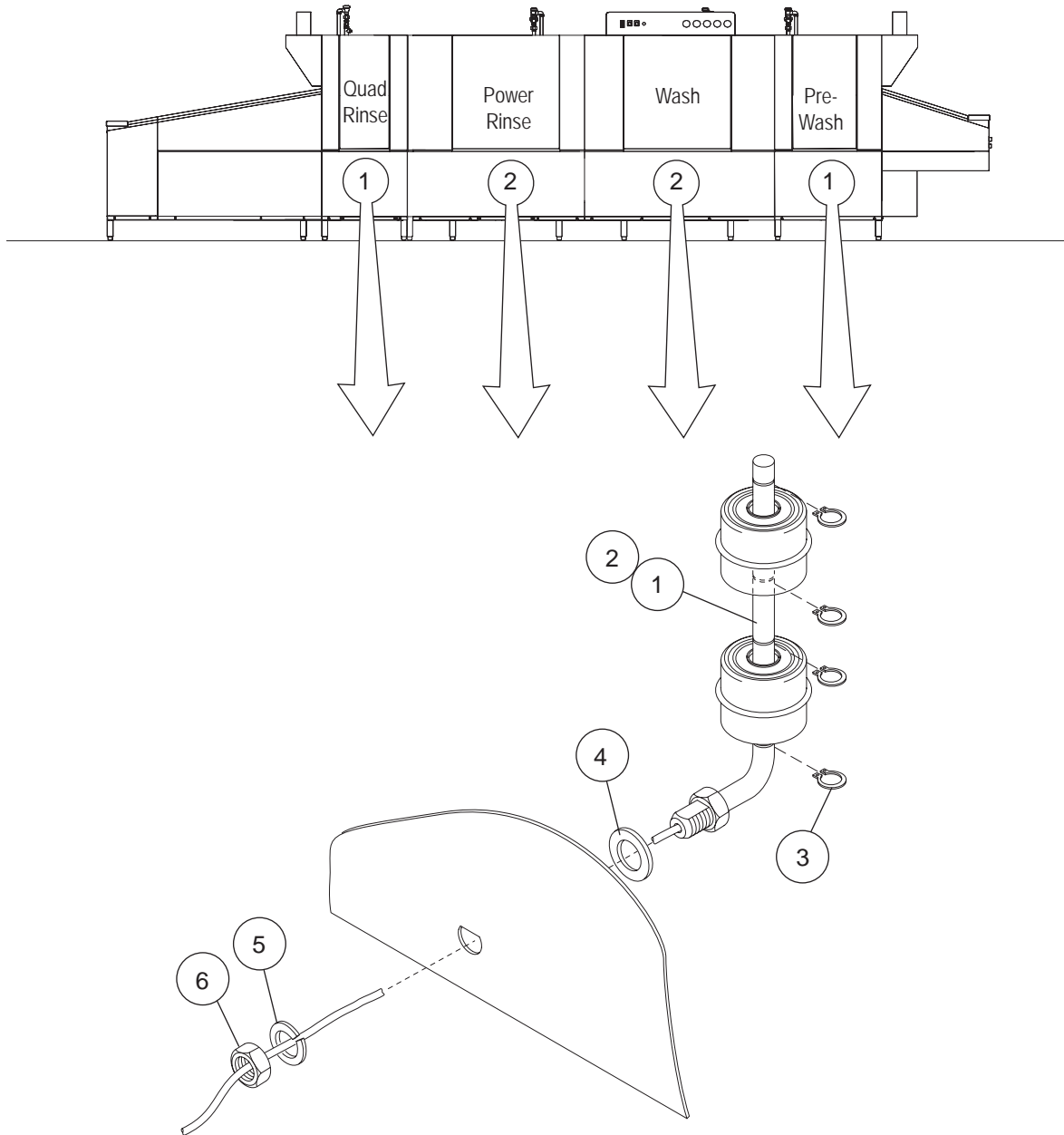
| Item No. | Part No. | Description                              | Qty. |
|----------|----------|--|------|
| 1        | 100734   | CAP SCREW,HEX HEAD,1/4-20 X 1/2 SST      | 14   |
| 2        | 100755   | SCREW,FLAT HEAD,1/4-20 X 1/2 SST         | 4    |
| 3        | 104414   | O-RING,1 X 1 1/4 X 1/8                   | 5    |
| 4        | 106014   | HEX ACORN PLAIN NUT,1/4-20 SST           | 4    |
| 5        | 106026   | WASHER,FLAT,1/4x5/8x.06 SST              | 15   |
| 6        | 106482   | WASHER,LOCK,1/4 SPLIT,SST                | 14   |
| 7        | 108875   | COTTER PIN,3/32 X 1/2 UNEVEN             | 1    |
| 8        | 110858   | HOSE CLAMP,HIGH PRESSURE,0256            | 1    |
| 9        | 111780   | HOSE CLAMP,HIGH PRESSURE,0238            | 2    |
| 10       | 111964   | HOSE CLAMP,HIGH PRESSURE,0275            | 1    |
| 11       | 112240   | PLUG, DEBOSSSED SPRAYPIPE                | 5    |
| 12       | 113911   | LOCKNUT,2 1/2" , NPSL, SST               | 2    |
| 13       | 113912   | RETAINING RING, INTERNAL, 2" BORE        | 2    |
| 14       | 113984   | HOSE, DISCHARGE MOLDED E                 | 1    |
| 15       | 114096   | O-RING,2.225x.210 DIA.                   | 2    |
| 16       | 202146   | HOSE,1.875 ID X 5.375 LG.EPDM            | 1    |
| 17       | 206553   | ROD, LATCH PIVOT,3 HOLE MANIFOLD         | 1    |
| 18       | 329669   | TRACK WELDMENT, LH LOWER, MANIFOLD EUCCW | 1    |
| --       | 329669   | TRACK WELDMENT, LH LOWER, MANIFOLD EUCC  | 1    |
| 19       | 330642   | TRACK WELDMENT, RH LOWER, MANIFOLD EUCCW | 1    |
| --       | 329670   | TRACK WELDMENT, RH LOWER, MANIFOLD EUCC  | 1    |
| 20       | 329672   | TRACK WELDMENT, LH UPPER, MANIFOLD EUCCW | 1    |
| --       | 330645   | TRACK WELDMENT, LH UPPER, MANIFOLD EUCC  | 1    |
| 21       | 329673   | TRACK WELDMENT, RH UPPER, MANIFOLD EUCCW | 1    |
| --       | 330641   | TRACK WELDMENT, RH UPPER, MANIFOLD EUCC  | 1    |
| 22       | 329674   | BRACKET, LOWER MANIFOLD LATCH            | 2    |
| 23       | 329696   | MANIFOLD WELDMENT,3 HOLE,UPPER EUCCW     | 1    |
| --       | 330637   | MANIFOLD WELDMENT,3 HOLE,UPPER EUCC      | 1    |
| 24       | 329699   | MANIFOLD WELDMENT,2 HOLE,LOWER EUCCW     | 1    |
| --       | 330638   | MANIFOLD WELDMENT,2 HOLE,LOWER EUCC      | 1    |
| 25       | 329705   | LATCH DEVP, UPPER MANIFOLD,3 HOLE        | 1    |
| 26       | 330308   | MANIFOLD RESTRICTOR, 0.781" ID           | 1    |
| 27       | 330309   | MANIFOLD RESTRICTOR, 0.531" ID           | 1    |
| 28       | 330699   | STANDPIPE WELDMENT,B-30 LR               | 1    |
| 29       | 330838   | TUBE, PUMP DISCHARGE, WELDMENT EUCCW     | 1    |
| --       | 330639   | TUBE, PUMP DISCHARGE, WELDMENT EUCC      | 1    |
| 30       | 114692   | GASKET, STANDPIPE                        | 2    |



| Item No. | Part No. | Description                              | Qty. |
|----------|----------|--|------|
| 1        | 100734   | HEX HEAD,1/4-20 X 1/2 SST                | 14   |
| 2        | 100755   | SCREW,FLAT HEAD,1/4-20 X 1/2 SST         | 4    |
| 3        | 104414   | O-RING,1 X 1 1/4 X 1/8                   | 10   |
| 4        | 106014   | HEX ACORN PLAIN NUT,1/4-20 SST           | 4    |
| 5        | 106026   | WASHER,FLAT,1/4x5/8x.06 SST              | 15   |
| 6        | 106482   | WASHER,LOCK,1/4 SPLIT,SST                | 14   |
| 7        | 108875   | COTTER PIN,3/32 X 1/2 UNEVEN             | 1    |
| 8        | 110858   | HOSE CLAMP,HIGH PRESSURE,0256            | 1    |
| 9        | 111780   | HOSE CLAMP,HIGH PRESSURE,0238            | 2    |
| 10       | 111964   | HOSE CLAMP,HIGH PRESSURE,0275            | 1    |
| 11       | 112240   | PLUG, DEBOSSSED SPRAYPIPE                | 10   |
| 12       | 113911   | LOCKNUT,2 1/2" , NPSL, SST               | 2    |
| 13       | 113912   | RETAINING RING, INTERNAL, 2" BORE        | 1    |
| 14       | 113984   | HOSE, DISCHARGE MOLDED E                 | 1    |
| 15       | 114096   | O-RING,2.225x.210 DIA.                   | 2    |
| 16       | 202146   | HOSE,1.875 ID X 5.375 LG.EPDM            | 1    |
| 17       | 206552   | ROD, LATCH PIVOT,5 HOLE MANIFOLD         | 1    |
| 18       | 329659   | MANIFOLD WELDMENT,5 HOLE,UPPER EUCCW     | 1    |
| ---      | 329659   | MANIFOLD WELDMENT,5 HOLE,UPPER EUCC      | 1    |
| 19       | 329669   | TRACK WELDMENT, LH LOWER, MANIFOLD EUCCW | 1    |
| ---      | 330632   | TRACK WELDMENT, LH LOWER, MANIFOLD EUCC  | 1    |
| 20       | 329670   | TRACK WELDMENT, RH LOWER, MANIFOLD EUCCW | 1    |
| ---      | 330644   | TRACK WELDMENT, RH LOWER, MANIFOLD EUCC  | 1    |
| 21       | 329672   | TRACK WELDMENT, LH UPPER, MANIFOLD EUCCW | 1    |
| ---      | 330641   | TRACK WELDMENT, LH UPPER, MANIFOLD EUCC  | 1    |
| 22       | 329673   | TRACK WELDMENT, RH UPPER, MANIFOLD EUCCW | 1    |
| ---      | 330642   | TRACK WELDMENT, RH UPPER, MANIFOLD EUCC  | 1    |
| 23       | 329674   | BRACKET, LOWER MANIFOLD LATCH            | 2    |
| 24       | 329704   | LATCH DEVP, UPPER MANIFOLD,5 HOLE        | 1    |
| 25       | 330467   | MANIFOLD WELDMENT,5 HOLE,LOWER- EUCCW    | 1    |
| ---      | 330467   | MANIFOLD WELDMENT,5 HOLE,LOWER- EUCC     | 1    |
| 26       | 330468   | MANIFOLD RESTRICTOR, 1.188" ID           | 1    |
| 27       | 330680   | STANDPIPE WELDMENT, C4                   | 1    |
| 28       | 330838   | TUBE, PUMP DISCHARGE, WELDMENT EUCCW     | 1    |
| ---      | 330838   | TUBE, PUMP DISCHARGE, WELDMENT EUCC      | 1    |
| 29       | 114692   | GASKET, STANDPIPE                        | 2    |

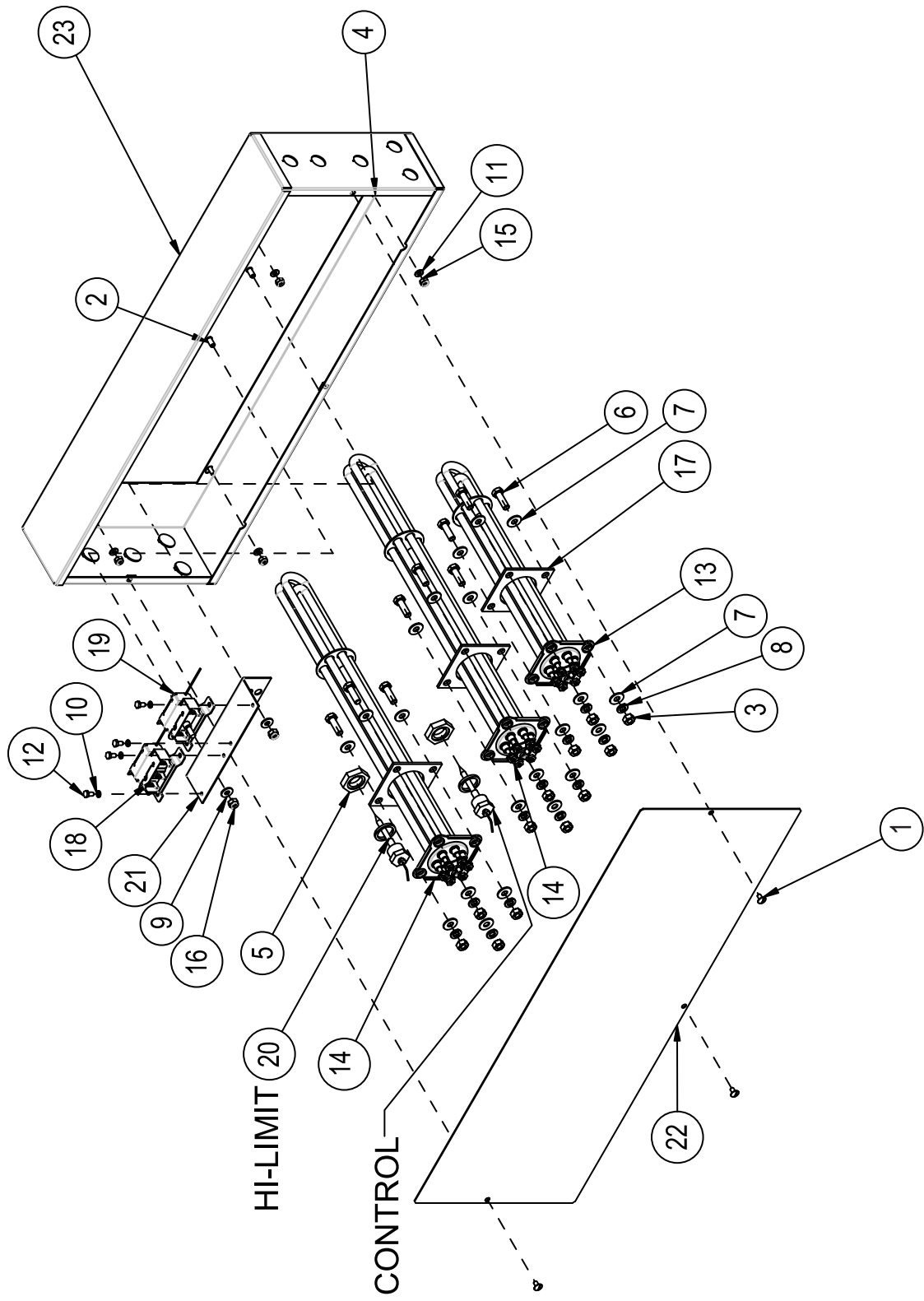


| Item No. | Part No. | Description                              | Qty. |
|----------|----------|--|------|
| 1        | 100734   | HEX HEAD,1/4-20 X 1/2 SST                | 14   |
| 2        | 100755   | SCREW,FLAT HEAD,1/4-20 X 1/2 SST         | 4    |
| 3        | 104414   | O-RING,1 X 1 1/4 X 1/8                   | 9    |
| 4        | 106014   | HEX ACORN PLAIN NUT,1/4-20 SST           | 4    |
| 5        | 106026   | WASHER,FLAT,1/4 x 5/8 x .06 SST          | 15   |
| 6        | 106482   | WASHER,LOCK,1/4 SPLIT,SST                | 14   |
| 7        | 108875   | COTTER PIN,3/32 X 1/2 UNEVEN             | 1    |
| 8        | 110858   | HOSE CLAMP,HIGH PRESSURE,0256            | 1    |
| 9        | 111780   | HOSE CLAMP,HIGH PRESSURE,0238            | 2    |
| 10       | 111964   | HOSE CLAMP,HIGH PRESSURE,0275            | 1    |
| 11       | 112240   | PLUG, DEBOSSSED SPRAYPIPE                | 9    |
| 12       | 113911   | LOCKNUT,2 1/2" , NPSL, SST               | 2    |
| 13       | 113912   | RETAINING RING, INTERNAL, 2" BORE        | 1    |
| 14       | 113984   | HOSE, DISCHARGE MOLDED E                 | 1    |
| 15       | 114096   | O-RING,2.225x.210 DIA.                   | 2    |
| 16       | 202146   | HOSE,1.875 ID X 5.375 LG.EPDM            | 1    |
| 17       | 206552   | ROD, LATCH PIVOT,5 HOLE MANIFOLD         | 1    |
| 18       | 328861   | MANIFOLD RESTRICTOR, 1.5" ID             | 1    |
| 19       | 329659   | MANIFOLD WELDMENT,5 HOLE,UPPER           | 1    |
| 20       | 329669   | TRACK WELDMENT, LH LOWER, MANIFOLD EUCCW | 1    |
| 21       | 329670   | TRACK WELDMENT, RH LOWER, MANIFOLD EUCCW | 1    |
| 22       | 329672   | TRACK WELDMENT, LH UPPER, MANIFOLD EUCCW | 1    |
| 23       | 329673   | TRACK WELDMENT, RH UPPER, MANIFOLD EUCCW | 1    |
| 24       | 329674   | BRACKET, LOWER MANIFOLD LATCH            | 2    |
| 25       | 330186   | LATCH DEVP, UPPER MANIFOLD,4 HOLE        | 1    |
| 26       | 330467   | MANIFOLD WELDMENT,5 HOLE,LOWER EUCCW     | 1    |
| 27       | 330680   | STANDPIPE WELDMENT, C4                   | 1    |
| 28       | 330838   | TUBE, PUMP DISCHARGE, WELDMENT EUCCW     | 1    |
| ---      | 330639   | TUBE, PUMP DISCHARGE, WELDMENT EUCC      | 1    |
| 29       | 114692   | GASKET, STANDPIPE                        | 2    |



| Item No. | Part No.               | Description                                   | Qty. |
|----------|------------------------|---|------|
| 1        | <a href="#">111019</a> | FLOAT SWITCH, DUAL (Quad Rinse, Prewash Tank) | 1    |
| 2        | <a href="#">113291</a> | FLOAT SWITCH, DUAL (Wash, Power Rinse Tank)   | 1    |
| 3        | <a href="#">111151</a> | C-Clip (4 per float switch)                   | A/R  |
| 4        | <a href="#">104882</a> | WASHER, FLAT .531" X .062" X .062"            | 1    |
| 5        | <a href="#">107589</a> | WASHER, LOCK 1/2" SPLIT                       | 1    |
| 6        | <a href="#">104584</a> | NUT, PLAIN 1/2-13 HEX SST                     | 1    |

Electric Tank Heat Installation C4 Wash w/o scrap basket



*Electric Tank Heat Installation C4 Wash w/o scrap basket*

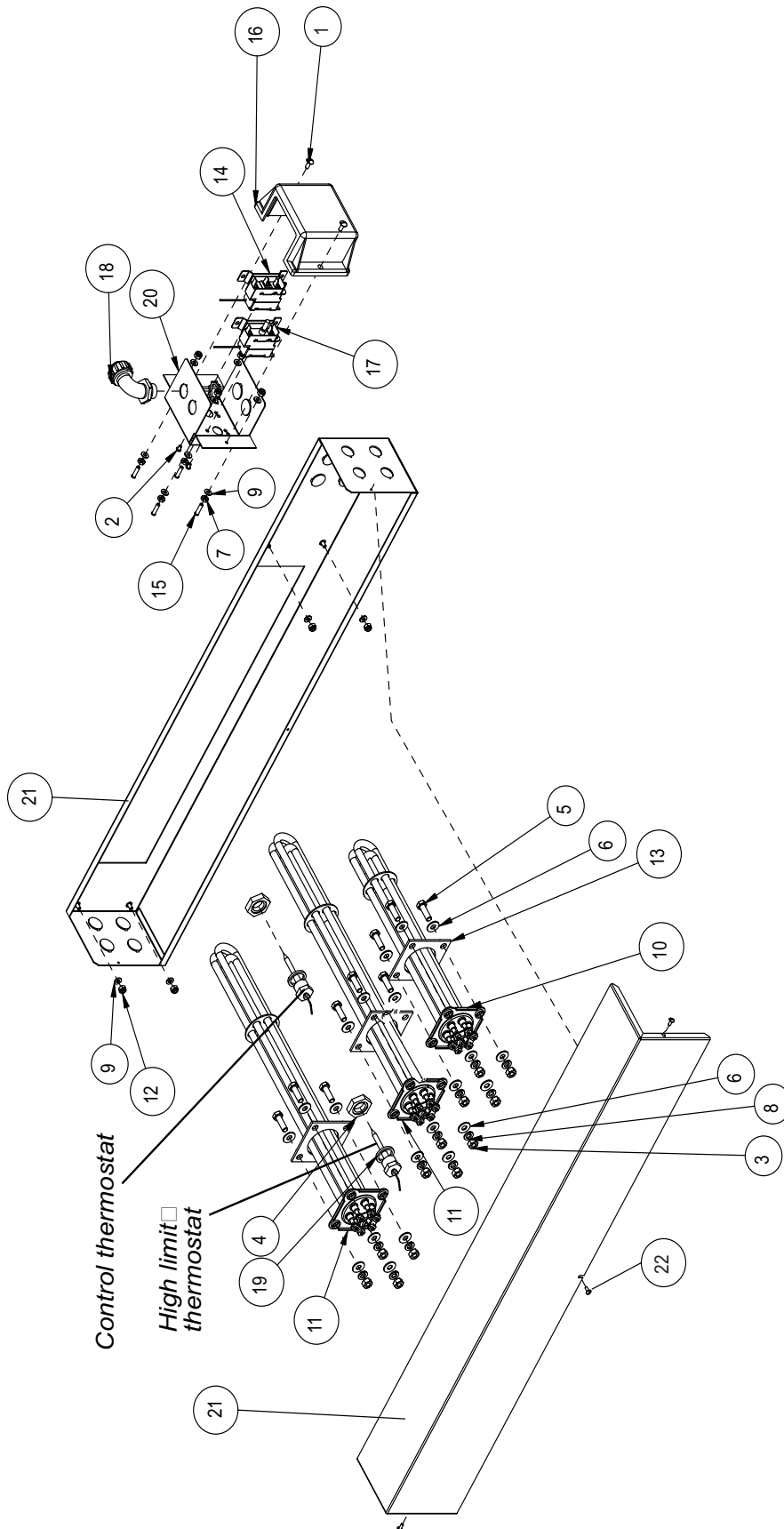
| Item No. | Part No. | Description                        | Qty. |
|----------|----------|------------------------------------|------|
| 1        | 100007   | SCREW,TRUSS HEAD,10-32 x 3/8 SST   | 3    |
| 2        | 100109   | WELD-STUD,1/4-20 X 1/2 LG.SST      | 2    |
| 3        | 100154   | HEX PLAIN NUT,5/16-18 SST          | 12   |
| 4        | 100198   | WELD-STUD,10-32 X 1/2 LG.SST       | 4    |
| 5        | 100547   | LOCKNUT,1/2" NPT,SST               | 2    |
| 6        | 100740   | CAP SCREW,HEX HEAD,5/16-18 X 1 SST | 12   |
| 7        | 102376   | WASHER,FLAT,5/16x3/4x.06 SST       | 24   |
| 8        | 106013   | WASHER,LOCK,5/16 SPLIT,SST         | 12   |
| 9        | 106026   | WASHER,FLAT,1/4x5/8x.06 SST        | 2    |
| 10       | 106486   | WASHER,LOCK,#10 SPLIT,SST          | 4    |
| 11       | 107033   | WASHER,FLAT,.208X.438X.047 SST     | 4    |
| 12       | 107136   | SCREW,HEX HEAD,10-32 x 3/8 SST     | 4    |
| 13       | 107839   | TANK HEATER,RICA 5KW 208V/3ph      | 1    |
| 13       | 107840   | TANK HEATER,RICA 5KW 240V/3ph      | 1    |
| 13       | 107842   | TANK HEATER,RICA 5KW 480V/3ph      | 1    |
| 13       | 111123   | TANK HEATER,RICA 5KW 575V/3ph      | 1    |
| 14       | 107951   | TANK HEATER,RICA 10KW 208V/3ph     | 2    |
| 14       | 107844   | TANK HEATER,RICA 10KW 240 V/3ph    | 2    |
| 14       | 107846   | TANK HEATER,RICA 10KW 480 V/3ph    | 2    |
| 14       | 111120   | TANK HEATER,RICA 10KW 575 V/3ph    | 2    |
| 15       | 107966   | HEX GRIP NUT,10-32 SST W/NYLON     | 4    |
| 16       | 107967   | HEX GRIP NUT,1/4-20 SST W/NYLON    | 2    |
| 17       | 108345   | GASKET,HEATER/STANDPIPE            | 3    |
| 18       | 109069   | THERMOSTAT,CONTROL,WITH CAPILLARY  | 1    |
| 19       | 110561   | THERMOSTAT,HI-LIMIT,WITH CAPILLARY | 1    |
| 20       | 201041   | WASHER,SPACER,7/8x1 3/16x1/8 NP    | 2    |
| 21       | 323430   | BRACKET, THERMOSTATS,USN72,44CR    | 1    |
| 22       | 329768   | COVER,HEATER BOX,C4-BKT            | 1    |
| 23       | 329769   | HEATER BOX WELDMENT,C4-B           | 1    |



*Electric Tank Heat Installation C4 Rinse w/o scrap basket*

| Item No. | Part No. | Description                        | Qty. |
|----------|----------|------------------------------------|------|
| 1        | 100007   | SCREW,TRUSS HEAD,10-32 x 3/8 SST   | 3    |
| 2        | 100109   | WELD-STUD,1/4-20 X 1/2 LG.SST      | 2    |
| 3        | 100154   | HEX PLAIN NUT,5/16-18 SST          | 8    |
| 4        | 100198   | WELD-STUD,10-32 X 1/2 LG.SST       | 4    |
| 5        | 100547   | LOCKNUT,1/2" NPT,SST               | 2    |
| 6        | 100740   | HEX HEAD,5/16-18 X 1 SST           | 8    |
| 7        | 102376   | WASHER,FLAT,5/16x3/4x.06 SST       | 16   |
| 8        | 106013   | WASHER,LOCK,5/16 SPLIT,SST         | 8    |
| 9        | 106026   | WASHER,FLAT,1/4x5/8x.06 SST        | 2    |
| 10       | 106486   | WASHER,LOCK,#10 SPLIT,SST          | 4    |
| 11       | 107033   | WASHER,FLAT,.208X.438X.047 SST     | 4    |
| 12       | 107136   | SCREW,HEX HEAD,10-32 x 3/8 SST     | 4    |
| 13       | 109751   | TANK HEATER,RICA 10KW 208V         | 2    |
| ----     | 107844   | TANK HEATER,RICA 10KW 240V         | 2    |
| ----     | 107846   | TANK HEATER,RICA 10KW 480V         | 2    |
| ----     | 111120   | TANK HEATER,RICA 10KW 575V         | 2    |
| 14       | 107966   | HEX GRIP NUT,10-32 SST W/NYLON     | 4    |
| 15       | 107967   | HEX GRIP NUT,1/4-20 SST W/NYLON    | 2    |
| 16       | 108345   | GASKET,HEATER/STANDPIPE            | 2    |
| 17       | 109069   | THERMOSTAT,CONTROL,WITH CAPILLARY  | 1    |
| 18       | 110561   | THERMOSTAT,HI-LIMIT,WITH CAPILLARY | 1    |
| 19       | 201041   | WASHER,SPACER,7/8x1 3/16x1/8 NP    | 2    |
| 20       | 323430   | BRACKET, THERMOSTATS,USN72,44CR    | 1    |
| 21       | 329768   | COVER,HEATER BOX,C4-BKT            | 1    |
| 22       | 329769   | HEATER BOX WELDMENT,C4-B           | 1    |

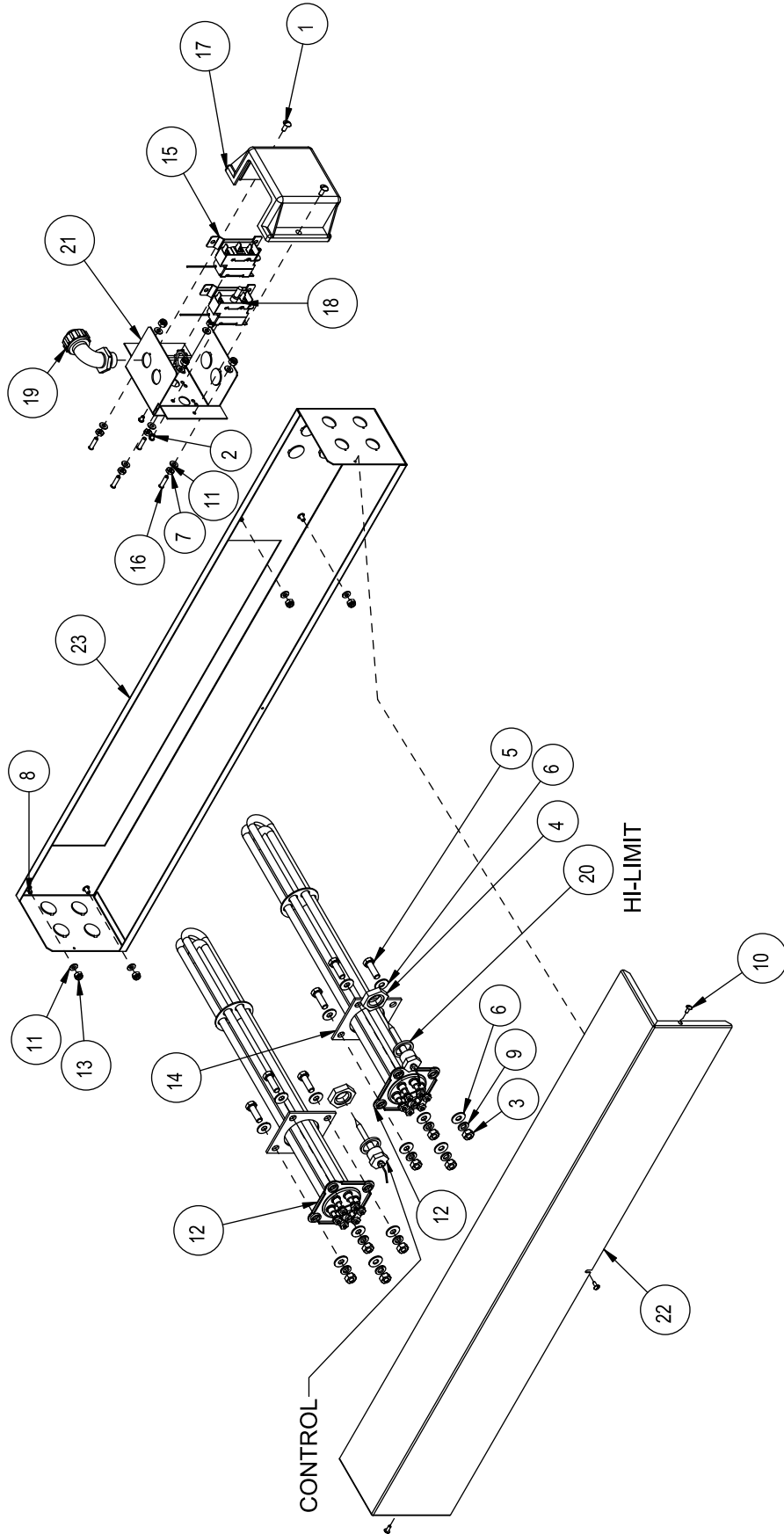
Electric Tank Heat Installation C4 Wash w/ scrap basket



*Electric Tank Heat Installation C4 Wash w/ scrap basket*

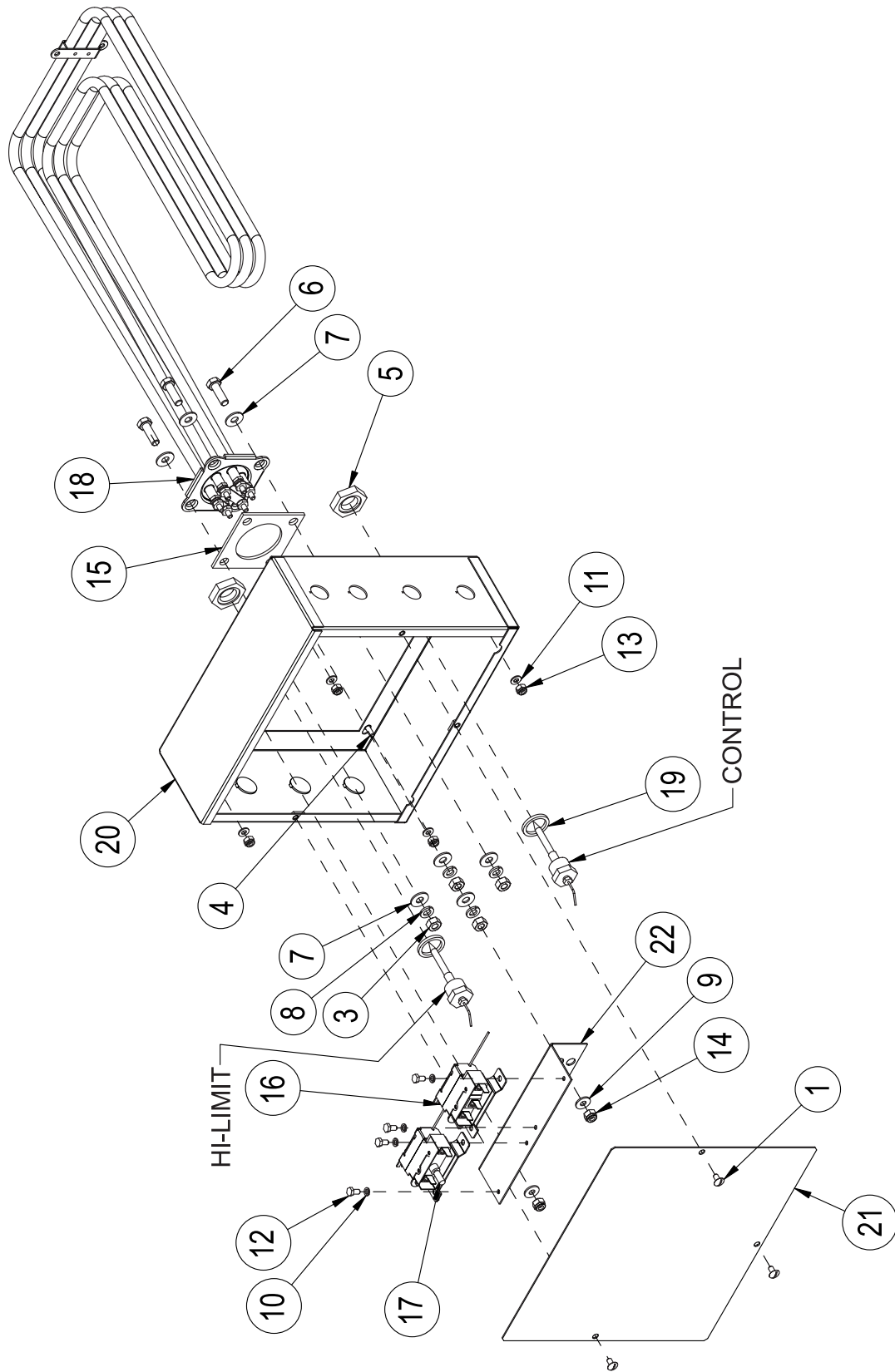
| Item No. | Part No. | Description                        | Qty. |
|----------|----------|------------------------------------|------|
| 1        | 100097   | SCREW,TRUSS HEAD,10-32 x 1/2 SST   | 2    |
| 2        | 100100   | SCREW,ROUND HEAD,8-32 x 1/4 SST    | 2    |
| 3        | 100154   | HEX PLAIN NUT,5/16-18 SST          | 12   |
| 4        | 100547   | LOCKNUT,1/2" NPT,SST               | 2    |
| 5        | 100740   | HEX HEAD,5/16-18 X 1 SST           | 12   |
| 6        | 102376   | WASHER,FLAT,5/16x3/4x.06 SST       | 24   |
| 7        | 104985   | HEX PLAIN NUT,10-32 SST            | 4    |
| 8        | 106013   | WASHER,LOCK,5/16 SPLIT,SST         | 12   |
| 9        | 107033   | WASHER,FLAT,.208X.438X.047 SST     | 8    |
| 10       | 107839   | TANK HEATER, RICA 5KW 208V 3PH     | 1    |
|          | 107840   | TANK HEATER, RICA 5KW 240V 3PH     | 1    |
|          | 107842   | TANK HEATER, RICA 5KW 480V 3PH     | 1    |
|          | 111123   | TANK HEATER, RICA 5KW 575V 3PH     | 1    |
| 11       | 107951   | TANK HEATER, RICA 10KW 208V 3PH    | 2    |
|          | 107844   | TANK HEATER, RICA 10KW 240V 3PH    | 2    |
|          | 107846   | TANK HEATER, RICA 10KW 480V 3PH    | 2    |
|          | 111120   | TANK HEATER, RICA 10KW 575V 3PH    | 2    |
| 12       | 107966   | HEX GRIP NUT,10-32 SST W/NYLON     | 4    |
| 13       | 108345   | GASKET,HEATER/STANDPIPE            | 3    |
| 14       | 109069   | THERMOSTAT,CONTROL,WITH CAPILLARY  | 1    |
| 15       | 109165   | WELD-STUD,10-32 X 3/4 LG.SST       | 4    |
| 16       | 109682   | THERMOSTAT COVER BOX               | 1    |
| 17       | 110561   | THERMOSTAT,HI-LIMIT,WITH CAPILLARY | 1    |
| 18       | 110837   | ELBOW,1/2" CONDUIT,SEALTITE        | 1    |
| 19       | 201041   | WASHER,SPACER,7/8x1 3/16x1/8 NP    | 2    |
| 20       | 314102   | BOX,DUAL THERMOSTAT                | 1    |
| 21       | 453122   | HEATER BOX ASSY,C4+BKT,ELEC        | 1    |

Electric Tank Heat Installation C4 Rinse w/ scrap basket



| Item No. | Part No. | Description                        | Qty. |
|----------|----------|------------------------------------|------|
| 1        | 100097   | SCREW,TRUSS HEAD,10-32 x 1/2 SST   | 2    |
| 2        | 100100   | SCREW,ROUND HEAD,8-32 x 1/4 SST    | 2    |
| 3        | 100154   | HEX PLAIN NUT,5/16-18 SST          | 8    |
| 4        | 100547   | LOCKNUT,1/2" NPT,SST               | 2    |
| 5        | 100740   | HEX HEAD,5/16-18 X 1 SST           | 8    |
| 6        | 102376   | WASHER,FLAT,5/16x3/4x.06 SST       | 16   |
| 7        | 104985   | HEX PLAIN NUT,10-32 SST            | 4    |
| 8        | 105695   | WELD-STUD,10-32 X 3/8 LG.SST       | 4    |
| 9        | 106013   | WASHER,LOCK,5/16 SPLIT,SST         | 8    |
| 10       | 106382   | SCREW,TRUSS HEAD,6-32 x 3/8 SST    | 3    |
| 11       | 107033   | WASHER,FLAT,.208X.438X.047 SST     | 12   |
| 12       | 109751   | TANK HEATER,RICA 10KW 208V         | 2    |
| ----     | 107844   | TANK HEATER,RICA 10KW 240V         | 2    |
| ----     | 107846   | TANK HEATER,RICA 10KW 480V         | 2    |
| ----     | 111120   | TANK HEATER,RICA 10KW 575V         | 2    |
| 13       | 107966   | HEX GRIP NUT,10-32 SST W/NYLON     | 8    |
| 14       | 108345   | GASKET,HEATER/STANDPIPE            | 2    |
| 15       | 109069   | THERMOSTAT,CONTROL,WITH CAPILLARY  | 1    |
| 16       | 109165   | WELD-STUD,10-32 X 3/4 LG.SST       | 4    |
| 17       | 109682   | THERMOSTAT COVER BOX               | 1    |
| 18       | 110561   | THERMOSTAT,HI-LIMIT,WITH CAPILLARY | 1    |
| 19       | 110837   | ELBOW,1/2" CONDUIT,SEALTITE        | 1    |
| 20       | 201041   | WASHER,SPACER,7/8x1 3/16x1/8 NP    | 2    |
| 21       | 314102   | BOX,DUAL THERMOSTAT                | 1    |
| 22       | 329766   | COVER,HEATER BOX,C4+B,ELEC         | 1    |
| 23       | 329767   | HEATER BOX WELDMENT,C4+B,ELEC      | 1    |

Electric Tank Heat Installation Auxiliary Rinse

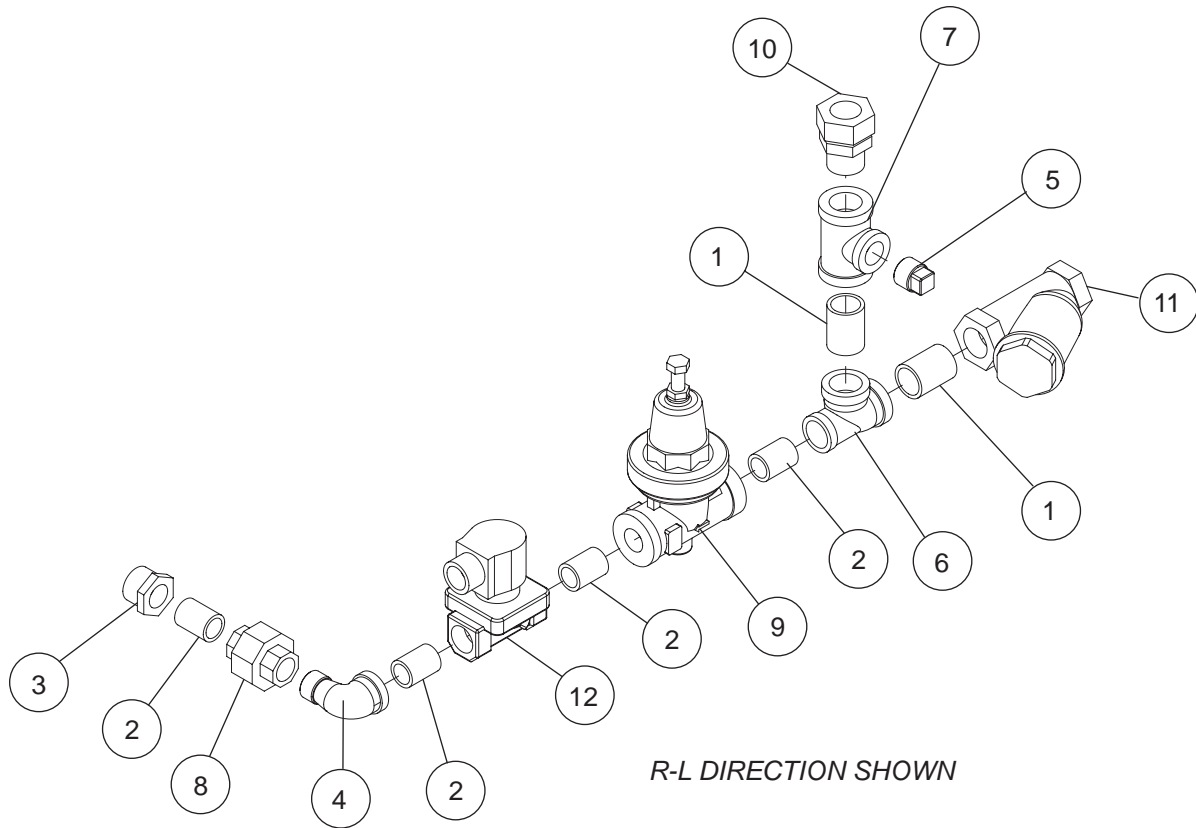


| Item No. | Part No. | Description                        | Qty. |
|----------|----------|------------------------------------|------|
| 1        | 100007   | SCREW,TRUSS HEAD,10-32 x 3/8 SST   | 3    |
| 2        | 100109   | WELD-STUD,1/4-20 X 1/2 LG.SST      | 2    |
| 3        | 100154   | HEX PLAIN NUT,5/16-18 SST          | 4    |
| 4        | 100198   | WELD-STUD,10-32 X 1/2 LG.SST       | 4    |
| 5        | 100547   | LOCKNUT,1/2" NPT,SST               | 2    |
| 6        | 100740   | HEX HEAD,5/16-18 X 1 SST           | 4    |
| 7        | 102376   | WASHER,FLAT,5/16x3/4x.06 SST       | 8    |
| 8        | 106013   | WASHER,LOCK,5/16 SPLIT,SST         | 4    |
| 9        | 106026   | WASHER,FLAT,1/4x5/8x.06 SST        | 2    |
| 10       | 106486   | WASHER,LOCK,#10 SPLIT,SST          | 4    |
| 11       | 107033   | WASHER,FLAT,.208X.438X.047 SST     | 4    |
| 12       | 107136   | SCREW,HEX HEAD,10-32 x 3/8 SST     | 4    |
| 13       | 107966   | HEX GRIP NUT,10-32 SST W/NYLON     | 4    |
| 14       | 107967   | HEX GRIP NUT,1/4-20 SST W/NYLON    | 2    |
| 15       | 108345   | GASKET,HEATER/STANDPIPE            | 1    |
| 16       | 109069   | THERMOSTAT,CONTROL,WITH CAPILLARY  | 1    |
| 17       | 110561   | THERMOSTAT,HI-LIMIT,WITH CAPILLARY | 1    |
| 18       | 113804   | HEATER,10/12.1 kW, 200-220V        | 1    |
|          | 113882   | HEATER,10/11 kW, 230/240V          | 1    |
|          | 113883   | HEATER,10/11 kW, 460/480           | 1    |
|          | 113884   | HEATER,10/11 kW 575V               | 1    |
| 19       | 201041   | WASHER,SPACER,7/8x1 3/16x1/8 NP    | 2    |
| 20       | 322811   | HEATER BOX WELDMENT,E2-B           | 1    |
| 21       | 322812   | COVER,HEATER BOX,E2-BKT            | 1    |
| 22       | 323430   | BRACKET, THERMOSTATS,USN72,44CR    | 1    |



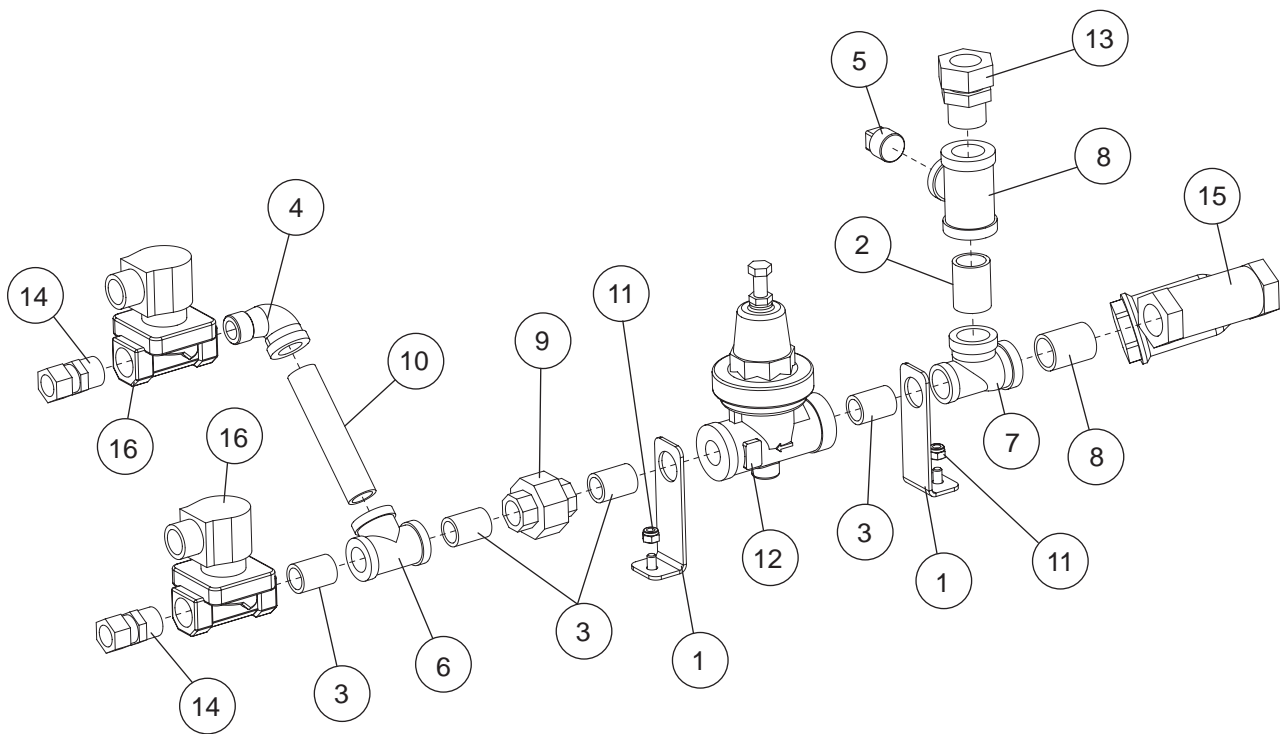
| Item No. | Part No. | Description                                  | Qty. |
|----------|----------|--|------|
| 1        | 100003   | HEX PLAIN NUT 1/4-20 SST                     | 11   |
| 2        | 100097   | SCREW, TRUSS HD. 10-32 X 1/2" SST            | 2    |
| 3        | 100100   | SCREW, ROUND HD., 8-32 X 1/4" SST            | 2    |
| 4        | 100109   | WELD STUD 1/4-20 X 1/2" LG. SST              | 2    |
| 5        | 100113   | CAP, 3/4" NPT SST                            | 1    |
| 6        | 100154   | HEX PLAIN NUT, 5/16-18 SST                   | 6    |
| 7        | 100734   | BOLT, HEX HD., 1/4-20 X 1/2" SST             | 2    |
| 8        | 100736   | BOLT, HEX HD., 1/4-20 X 3/4" SST             | 2    |
| 9        | 100739   | BOLT, HEX HD., 5/16-18 X 3/4" SST            | 2    |
| 10       | 100740   | BOLT, HEX HD., 5/16-18 X 1" SST              | 4    |
| 11       | 102376   | WASHER, FLAT 5/16-18 SST                     | 4    |
| 12       | 414331   | TANK, BOOSTER WELDMENT                       | 1    |
| 13       | 328254   | BRACKET, BOOSTER SUPPORT, W/HOLE             | 1    |
| 14       | 102505   | PLUG, 3/4" NPT SQ. HD., BRASS                | 1    |
| 15       | 106013   | WASHER , LOCK 5/16" SPLIT SST                | 6    |
| 16       | 106026   | WASHER, FLAT 1/4" X 5/8" X .06" SST          | 2    |
| 17       | 106482   | WASHER, LOCK 1/4" SPLIT SST                  | 14   |
| 18       | 107967   | HEX GRIP NUT, 1/4-20 SST W/NYLON             | 6    |
| 19       | 108576   | BOOSTER, HEATER COVER                        | 1    |
| 20       | 109069   | THERMOSTAT, CONTROL WITH CAPILLARY           | 1    |
| 21       | 109682   | BOX, THERMOSTAT COVER                        | 1    |
| 22       | 330571   | BRACKET, PIPING SUPPORT, ELECTRIC BOOSTER    | 1    |
| 23       | 109985   | O-RING, BOOSTER HEATER                       | 3    |
| 24       | 110561   | THERMOSTAT, HI-LIMIT WITH CAPILLARY          | 1    |
| 25       | 206668   | ANGLE, ELECTRIC BOOSTER SUPPORT              | 2    |
| 26       | 206669   | ANGLE, ELECTRIC BOOSTER SUPPORT              | 1    |
| 27       | 314102   | BOX, DUAL THERMOSTAT                         | 1    |
| 28       | 601931   | SEE NEXT PAGE FOR FILL PIPING BREAKDOWN      | 1    |
| 29       | 102392   | BUSHING, REDUCING, 3/4" NPT X 1/2" NPT BRASS | 1    |
| 30       | 102485   | NIPPLE, 1/2" NPT X 1-1/2" NPT BRASS          | 1    |
| 31       | 102435   | ELBOW, 1/2" NPT X 90° BRASS                  | 1    |
| 32       | 100209   | NIPPLE, 1/2" NPT X CLOSE BRASS               | 3    |
| 33       | 102549   | UNION, 1/2" NPT BRASS                        | 1    |
| 34       | 102514   | TEE, 1/2" NPT BRASS                          | 1    |
| 35       | 109925   | FITTING, COMP. 5/8" OD X 1/2" MPT BRASS      | 2    |
| 36       | 113352   | VALVE, SOLENOID 1/2" NPT 120VAC              | 1    |
| ---      | 113392   | KIT, REPAIR 1/2" SOLENOID VALVE              | A/R  |
| ---      | 113357   | COIL, 1/2" SOLENOID VALVE 120VAC             | A/R  |

Electric Booster Fill Piping Assembly



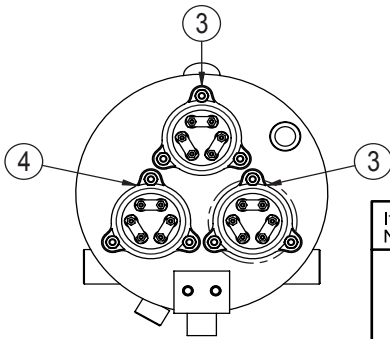
| Item No. | Part No. | Description   | Qty. |
|----------|----------|---|------|
| ---      | 601931   | FILL PIPING ASSY, ELECTRIC BOOSTER (Includes Parts Below) | 1    |
| 1        | 100184   | NIPPLE, 3/4" NPT X CLOSE BRASS                            | 2    |
| 2        | 100209   | NIPPLE, 1/2" NPT X CLOSE BRASS                            | 4    |
| 3        | 102392   | BUSHING, REDUCING 3/4" NPT X 1/2" NPT BRASS               | 1    |
| 4        | 102438   | ELBOW, STREET, 1/2" NPT X 90° BRASS                       | 1    |
| 5        | 102504   | PLUG, 1/2" NPT SQ., HD., BRASS                            | 1    |
| 6        | 102525   | TEE, RED. 3/4" X 1/2" X 3/4" NPT BRASS                    | 1    |
| 7        | 102526   | TEE, RED. 3/4" X 3/4" X 1/2" NPT BRASS                    | 1    |
| 8        | 102549   | UNION, 1/2" NPT BRASS                                     | 1    |
| 9        | 108265   | VALVE, PRESSURE REGULATING, 1/2" NPT BRONZE               | 1    |
| 10       | 109879   | FITTING, COMP. 7/8" OD X 3/4" MPT BRASS                   | 1    |
| 11       | 110768   | STRAINER, LINE 3/4" NPT BRONZE FEMALE                     | 1    |
| 12       | 111352   | VALVE, SOLENOID 1/2" NPT 120VAC                           | 1    |
| ---      | 113392   | KIT, REPAIR 1/2" SOLENOID VALVE                           | A/R  |
| ---      | 113357   | COIL, 1/2" SOLENOID VALVE 120VAC                          | A/R  |

Fill Piping Assembly (no electric booster)



| Item No. | Part No. | Description                                 | Qty. |
|----------|----------|---|------|
| 1        | 332454   | BRACKET, 1/2" PIPE SUPPORT                  | 2    |
| 2        | 100184   | NIPPLE, 3/4" NPT X CLOSE BRASS              | 2    |
| 3        | 100209   | NIPPLE, 1/2" NPT X CLOSE BRASS              | 3    |
| 4        | 102438   | ELBOW, STREET, 1/2" NPT X CLOSE BRASS       | 1    |
| 5        | 102504   | PLUG, 1/2" NPT SQ. HEAD, BRASS              | 1    |
| 6        | 102514   | TEE, 1/2" NPT BRASS                         | 1    |
| 7        | 102525   | TEE, RED. 3/4" X 1/2" X 3/4" NPT BRASS      | 1    |
| 8        | 102526   | TEE, RED. 3/4" X 3/4" X 1/2" NPT BRASS      | 1    |
| 9        | 102549   | UNION, 1/2" NPT BRASS                       | 1    |
| 10       | 102570   | NIPPLE, 1/2" NPT X 4: LG. BRASS             | 1    |
| 11       | 107967   | HEX GRIP NUT, 1/4-20 SST W/NYLON            | 2    |
| 12       | 108265   | VALVE, PRESSURE REGULATING, 1/2" NPT BRONZE | 1    |
| 13       | 109879   | FITTING, COMP. 7/8" OD X 3/4" MPT BRASS     | 1    |
| 14       | 109925   | FITTING, COMP. 5/8" OD X 1/2" MPT BRASS     | 1    |
| 15       | 110768   | STRAINER, LINE 3/4" NPT BRONZE FEMALE       | 1    |
| 16       | 113352   | VALVE, SOLENOID 1/2" NPT HW 115VAC          | 1    |
| ---      | 113392   | KIT, REPAIR 1/2" SOLENOID VALVE             | A/R  |
| ---      | 113357   | COIL, SOLENOID 1/2" 115VAC                  | A/R  |

**NOTE:**  
**The location of a booster heater element is critical for the proper repair of the booster.**  
**VERIFY THE LOCATION OF ITEM NO. 3 & 4**

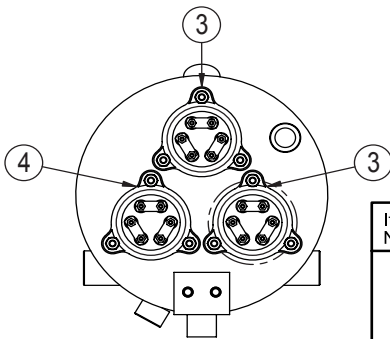


*EUCC-4 / EUCC-3*  
 40°F / 22° Rise

**BOOSTER ASSY,ELEC,R-L,16kW@208V**

| Item No. | Part No. | Description                            | Qty. |
|----------|----------|--|------|
| 1        | 100003   | HEX PLAIN NUT, 1/4-20 SST              | 9    |
| 2        | 106482   | WASHER, LOCK, 1/4 SPLIT SST            | 9    |
| 3        | 107909   | HEATER 6KW/8KW, 208/240V,3PH BOOSTER   | 1    |
| 4        | 111235   | HEATER 5KW/6.6KW, 208/240V,3PH BOOSTER | 2    |
| 5        | 414331   | TANK, BOOSTER                          | 1    |

111383 HEATER 5KW, 575/60/3  
 114032 HEATER 6KW, 575/60/3

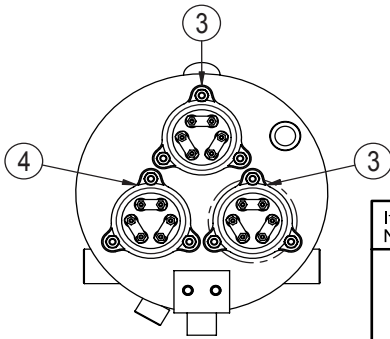


*EUCC-4 / EUCC-3*  
 40°F / 22° Rise

**BOOSTER ASSY,ELEC,R-L,16kW@240V**

| Item No. | Part No. | Description                  | Qty. |
|----------|----------|------------------------------|------|
| 1        | 100003   | HEX PLAIN NUT, 1/4-20 SST    | 9    |
| 2        | 106482   | WASHER, LOCK, 1/4 SPLIT SST  | 9    |
| 3        | 114030   | HEATER 6KW, 240V,3PH BOOSTER | 1    |
| 4        | 111236   | HEATER 5KW, 240V,3PH BOOSTER | 2    |
| 5        | 414331   | TANK, BOOSTER                | 1    |

111383 HEATER 5KW, 575/60/3  
 114032 HEATER 6KW, 575/60/3



*EUCC-4 / EUCC-3*  
 40°F / 22° Rise

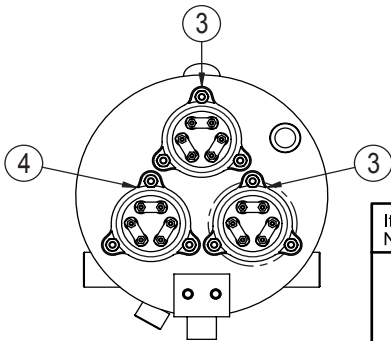
**BOOSTER ASSY,ELEC,R-L,16kW@480V**

| Item No. | Part No. | Description                  | Qty. |
|----------|----------|------------------------------|------|
| 1        | 100003   | HEX PLAIN NUT, 1/4-20 SST    | 9    |
| 2        | 106482   | WASHER, LOCK, 1/4 SPLIT SST  | 9    |
| 3        | 114031   | HEATER 6KW, 480V,3PH BOOSTER | 1    |
| 4        | 111237   | HEATER 5KW, 480V,3PH BOOSTER | 2    |
| 5        | 414331   | TANK, BOOSTER                | 1    |

111383 HEATER 5KW, 575/60/3  
 114032 HEATER 6KW, 575/60/3

**NOTE:**

The location of a booster heater element is critical for the proper repair of the booster.  
**VERIFY THE LOCATION OF ITEM NO. 3 & 4**

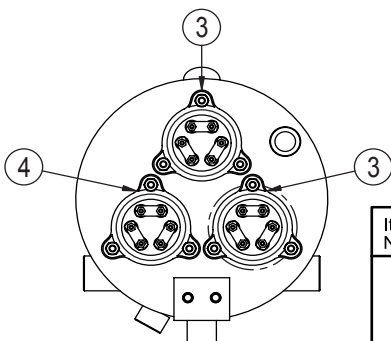


*EUCC-4 / EUCC-3*  
 70°F / 39° Rise

**BOOSTER ASSY,ELEC,R-L,28kW@208V**

| Item No. | Part No. | Description                           | Qty. |
|----------|----------|---------------------------------------|------|
| 1        | 100003   | HEX PLAIN NUT, 1/4-20 SST             | 9    |
| 2        | 106482   | WASHER, LOCK, 1/4 SPLIT SST           | 9    |
| 3        | 111334   | HEATER 9KW/12KW, 208/240V,3PH BOOSTER | 2    |
| 4        | 111232   | HEATER 10KW, 208V,3PH BOOSTER         | 1    |
| 5        | 414331   | TANK, BOOSTER                         | 1    |

111383 HEATER 10 KW, 575/60/3  
 112061 HEATER 12 KW, 575/60/3

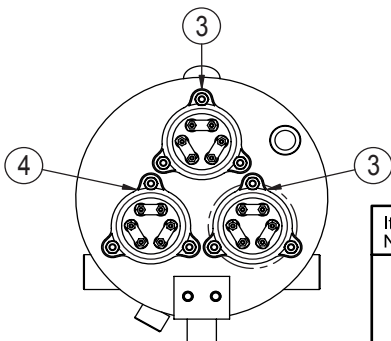


*EUCC-4 / EUCC-3*  
 70°F / 39° Rise

**BOOSTER ASSY,ELEC,R-L,28kW@240V**

| Item No. | Part No. | Description                              | Qty. |
|----------|----------|--|------|
| 1        | 100003   | HEX PLAIN NUT, 1/4-20 SST                | 9    |
| 2        | 106482   | WASHER, LOCK, 1/4 SPLIT SST              | 9    |
| 3        | 111305   | HEATER 9KW, 240V,3PH BOOSTER             | 2    |
| 4        | 111233   | HEATER 7.5KW/10KW, 208V-240V,3PH BOOSTER | 1    |
| 5        | 414331   | TANK, BOOSTER                            | 1    |

111383 HEATER 10 KW, 575/60/3  
 112061 HEATER 12 KW, 575/60/3



*EUCC-4 / EUCC-3*  
 70°F / 39° Rise

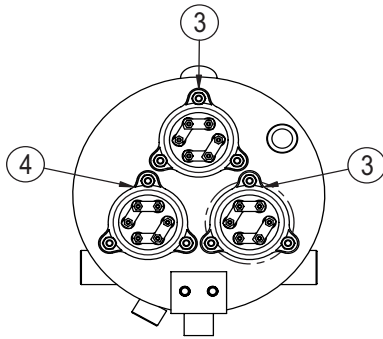
**BOOSTER ASSY,ELEC,R-L,28kW@480V**

| Item No. | Part No. | Description                   | Qty. |
|----------|----------|-------------------------------|------|
| 1        | 100003   | HEX PLAIN NUT, 1/4-20 SST     | 9    |
| 2        | 106482   | WASHER, LOCK, 1/4 SPLIT SST   | 9    |
| 3        | 108579   | HEATER 9KW, 480V,3PH BOOSTER  | 2    |
| 4        | 111234   | HEATER 10KW, 480V,3PH BOOSTER | 1    |
| 5        | 414331   | TANK, BOOSTER                 | 1    |

111383 HEATER 10 KW, 575/60/3  
 112061 HEATER 12 KW, 575/60/3

**NOTE:**

**The location of a booster heater element is critical for the proper repair of the booster. VERIFY THE LOCATION OF ITEM NO. 3 & 4**

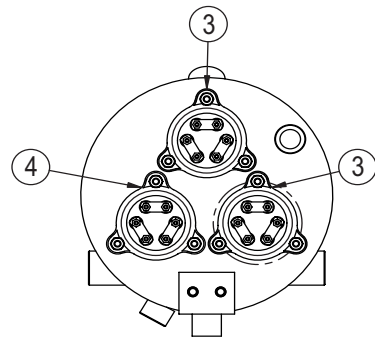


*EUCCW-6 / EUCC-6  
EUCCW-4 / EUCC-4  
70°F / 39° Rise*

BOOSTER ASSY,ELEC,R-L,25kW@208V

| Item No. | Part No. | Description                            | Qty. |
|----------|----------|--|------|
| 1        | 100003   | HEX PLAIN NUT, 1/4-20 SST              | 9    |
| 2        | 106482   | WASHER, LOCK, 1/4 SPLIT SST            | 9    |
| 3        | 111232   | HEATER 10KW 208V,3PH BOOSTER           | 2    |
| 4        | 111235   | HEATER 5KW_6.5KW, 208/240V,3PH BOOSTER | 1    |
| 5        | 414331   | TANK, BOOSTER                          | 1    |

111383 HEATER 10 KW, 575/60/3  
111384 HEATER 5 KW, 575/60/3

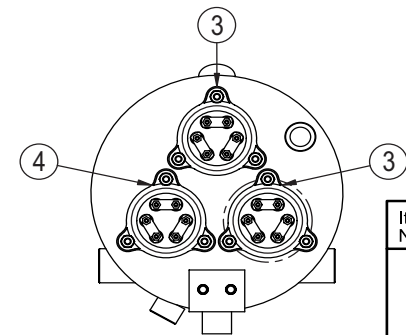


*EUCCW-6 / EUCC-6  
EUCCW-4 / EUCC-4  
70°F / 39° Rise*

BOOSTER ASSY,ELEC,R-L,25kW@240V

| Item No. | Part No. | Description                            | Qty. |
|----------|----------|--|------|
| 1        | 100003   | HEX PLAIN NUT, 1/4-20 SST              | 9    |
| 2        | 106482   | WASHER, LOCK, 1/4 SPLIT SST            | 9    |
| 3        | 111233   | HEATER 7.5KW_10KW 208/240V,3PH BOOSTER | 2    |
| 4        | 111236   | HEATER 5KW_10KW, 240V,3PH BOOSTER      | 1    |
| 5        | 414331   | TANK, BOOSTER                          | 1    |

111383 HEATER 10 KW, 575/60/3  
111384 HEATER 5 KW, 575/60/3



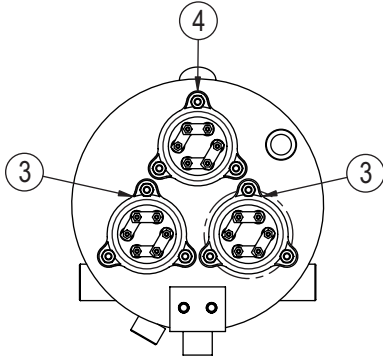
*EUCCW-6 / EUCC-6  
EUCCW-4 / EUCC-4  
70°F / 39° Rise*

BOOSTER ASSY,ELEC,R-L,25kW@480V

| Item No. | Part No. | Description                   | Qty. |
|----------|----------|-------------------------------|------|
| 1        | 100003   | HEX PLAIN NUT, 1/4-20 SST     | 9    |
| 2        | 106482   | WASHER, LOCK, 1/4 SPLIT SST   | 9    |
| 3        | 111234   | HEATER 10KW, 480V,3PH BOOSTER | 2    |
| 4        | 111237   | HEATER 5KW, 480V,3PH BOOSTER  | 1    |
| 5        | 414331   | TANK, BOOSTER                 | 1    |

111383 HEATER 10 KW, 575/60/3  
111384 HEATER 5 KW, 575/60/3

**NOTE:**  
**The location of a booster heater element is critical for the proper repair of the booster.**  
**VERIFY THE LOCATION OF ITEM NO. 3 & 4**

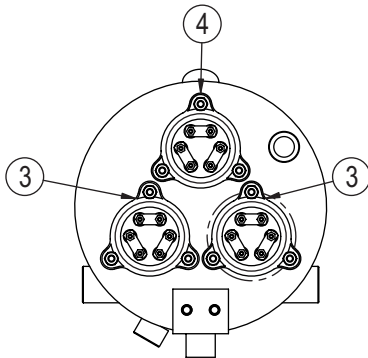


*EUCCW-8 / EUCC-8*  
 70°F / 39° Rise

BOOSTER ASSY,ELEC,R-L,32kW@208V

| Item No. | Part No. | Description                   | Qty. |
|----------|----------|-------------------------------|------|
| 1        | 100003   | HEX PLAIN NUT, 1/4-20 SST     | 9    |
| 2        | 106482   | WASHER, LOCK, 1/4 SPLIT SST   | 9    |
| 3        | 111232   | HEATER 10KW 208V,3PH BOOSTER  | 2    |
| 4        | 112059   | HEATER 12KW, 208V,3PH BOOSTER | 1    |
| 5        | 414331   | TANK, BOOSTER                 | 1    |

111383 HEATER 10 KW, 575/60/3  
 112061 HEATER 12 KW, 575/60/3

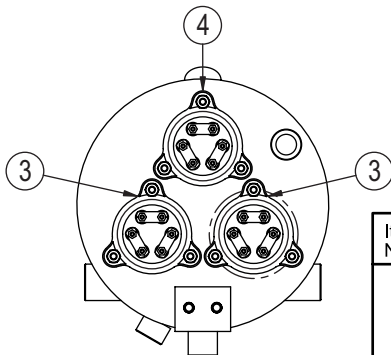


*EUCCW-8 / EUCC-8*  
 70°F / 39° Rise

BOOSTER ASSY,ELEC,R-L,32kW@240V

| Item No. | Part No. | Description                            | Qty. |
|----------|----------|--|------|
| 1        | 100003   | HEX PLAIN NUT, 1/4-20 SST              | 9    |
| 2        | 106482   | WASHER, LOCK, 1/4 SPLIT SST            | 9    |
| 3        | 111233   | HEATER 7.5KW_10KW 208/240V,3PH BOOSTER | 2    |
| 4        | 111334   | HEATER 9KW_12KW, 208/240V,3PH BOOSTER  | 1    |
| 5        | 414331   | TANK, BOOSTER                          | 1    |

111383 HEATER 10 KW, 575/60/3  
 112061 HEATER 12 KW, 575/60/3

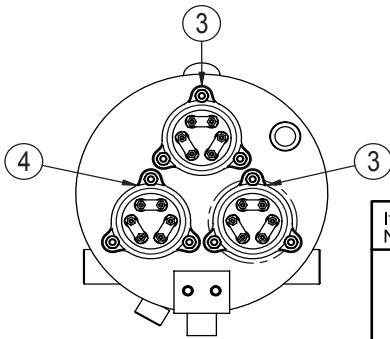


*EUCCW-8 / EUCC-8*  
 70°F / 39° Rise

BOOSTER ASSY,ELEC,R-L,32kW@480V

| Item No. | Part No. | Description                   | Qty. |
|----------|----------|-------------------------------|------|
| 1        | 100003   | HEX PLAIN NUT, 1/4-20 SST     | 9    |
| 2        | 106482   | WASHER, LOCK, 1/4 SPLIT SST   | 9    |
| 3        | 111234   | HEATER 10KW, 480V,3PH BOOSTER | 2    |
| 4        | 112060   | HEATER 12KW, 480V,3PH BOOSTER | 1    |
| 5        | 414331   | TANK, BOOSTER                 | 1    |

**NOTE:**  
**The location of a booster heater element is critical for the proper repair of the booster.**  
**VERIFY THE LOCATION OF ITEM NO. 3 & 4**

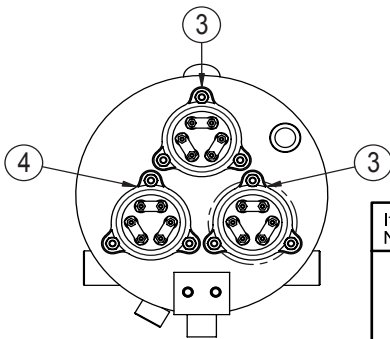


*EUCC-4 / EUCC-3*  
 40°F / 22° Rise

**BOOSTER ASSY,ELEC,R-L,16kW@208V**

| Item No. | Part No. | Description                            | Qty. |
|----------|----------|--|------|
| 1        | 100003   | HEX PLAIN NUT, 1/4-20 SST              | 9    |
| 2        | 106482   | WASHER, LOCK, 1/4 SPLIT SST            | 9    |
| 3        | 107909   | HEATER 6KW/8KW, 208/240V,3PH BOOSTER   | 1    |
| 4        | 111235   | HEATER 5KW/6.6KW, 208/240V,3PH BOOSTER | 2    |
| 5        | 414331   | TANK, BOOSTER                          | 1    |

111383 HEATER 5KW, 575/60/3  
 114032 HEATER 6KW, 575/60/3

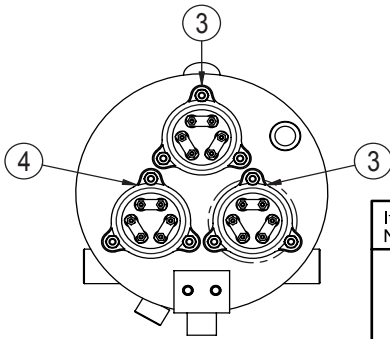


*EUCC-4 / EUCC-3*  
 40°F / 22° Rise

**BOOSTER ASSY,ELEC,R-L,16kW@240V**

| Item No. | Part No. | Description                  | Qty. |
|----------|----------|------------------------------|------|
| 1        | 100003   | HEX PLAIN NUT, 1/4-20 SST    | 9    |
| 2        | 106482   | WASHER, LOCK, 1/4 SPLIT SST  | 9    |
| 3        | 114030   | HEATER 6KW, 240V,3PH BOOSTER | 1    |
| 4        | 111236   | HEATER 5KW, 240V,3PH BOOSTER | 2    |
| 5        | 414331   | TANK, BOOSTER                | 1    |

111383 HEATER 5KW, 575/60/3  
 114032 HEATER 6KW, 575/60/3



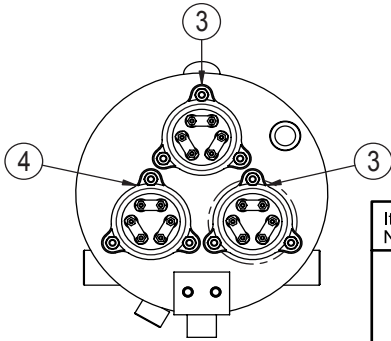
*EUCC-4 / EUCC-3*  
 40°F / 22° Rise

**BOOSTER ASSY,ELEC,R-L,16kW@480V**

| Item No. | Part No. | Description                  | Qty. |
|----------|----------|------------------------------|------|
| 1        | 100003   | HEX PLAIN NUT, 1/4-20 SST    | 9    |
| 2        | 106482   | WASHER, LOCK, 1/4 SPLIT SST  | 9    |
| 3        | 114031   | HEATER 6KW, 480V,3PH BOOSTER | 1    |
| 4        | 111237   | HEATER 5KW, 480V,3PH BOOSTER | 2    |
| 5        | 414331   | TANK, BOOSTER                | 1    |

111383 HEATER 5KW, 575/60/3  
 114032 HEATER 6KW, 575/60/3

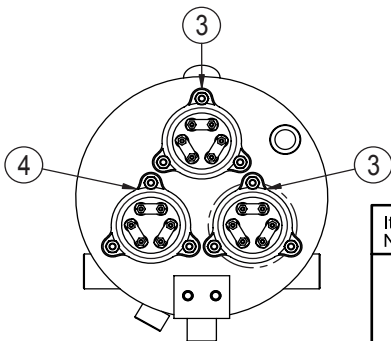
**NOTE:**  
**The location of a booster heater element is critical for the proper repair of the booster.**  
**VERIFY THE LOCATION OF ITEM NO. 3 & 4**



*EUCC-4 / EUCC-3*  
 70°F / 39° Rise  
**BOOSTER ASSY,ELEC,R-L,28kW@208V**

| Item No. | Part No. | Description                           | Qty. |
|----------|----------|---------------------------------------|------|
| 1        | 100003   | HEX PLAIN NUT, 1/4-20 SST             | 9    |
| 2        | 106482   | WASHER, LOCK, 1/4 SPLIT SST           | 9    |
| 3        | 111334   | HEATER 9KW/12KW, 208/240V,3PH BOOSTER | 2    |
| 4        | 111232   | HEATER 10KW, 208V,3PH BOOSTER         | 1    |
| 5        | 414331   | TANK, BOOSTER                         | 1    |

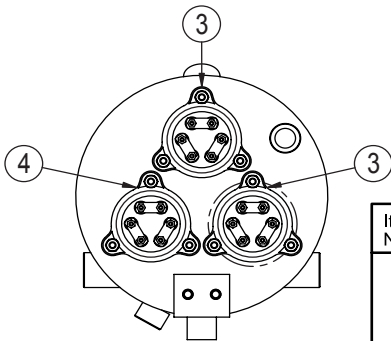
111383 HEATER 10 KW, 575/60/3  
 112061 HEATER 12 KW, 575/60/3



*EUCC-4 / EUCC-3*  
 70°F / 39° Rise  
**BOOSTER ASSY,ELEC,R-L,28kW@240V**

| Item No. | Part No. | Description                              | Qty. |
|----------|----------|--|------|
| 1        | 100003   | HEX PLAIN NUT, 1/4-20 SST                | 9    |
| 2        | 106482   | WASHER, LOCK, 1/4 SPLIT SST              | 9    |
| 3        | 111305   | HEATER 9KW, 240V,3PH BOOSTER             | 2    |
| 4        | 111233   | HEATER 7.5KW/10KW, 208V-240V,3PH BOOSTER | 1    |
| 5        | 414331   | TANK, BOOSTER                            | 1    |

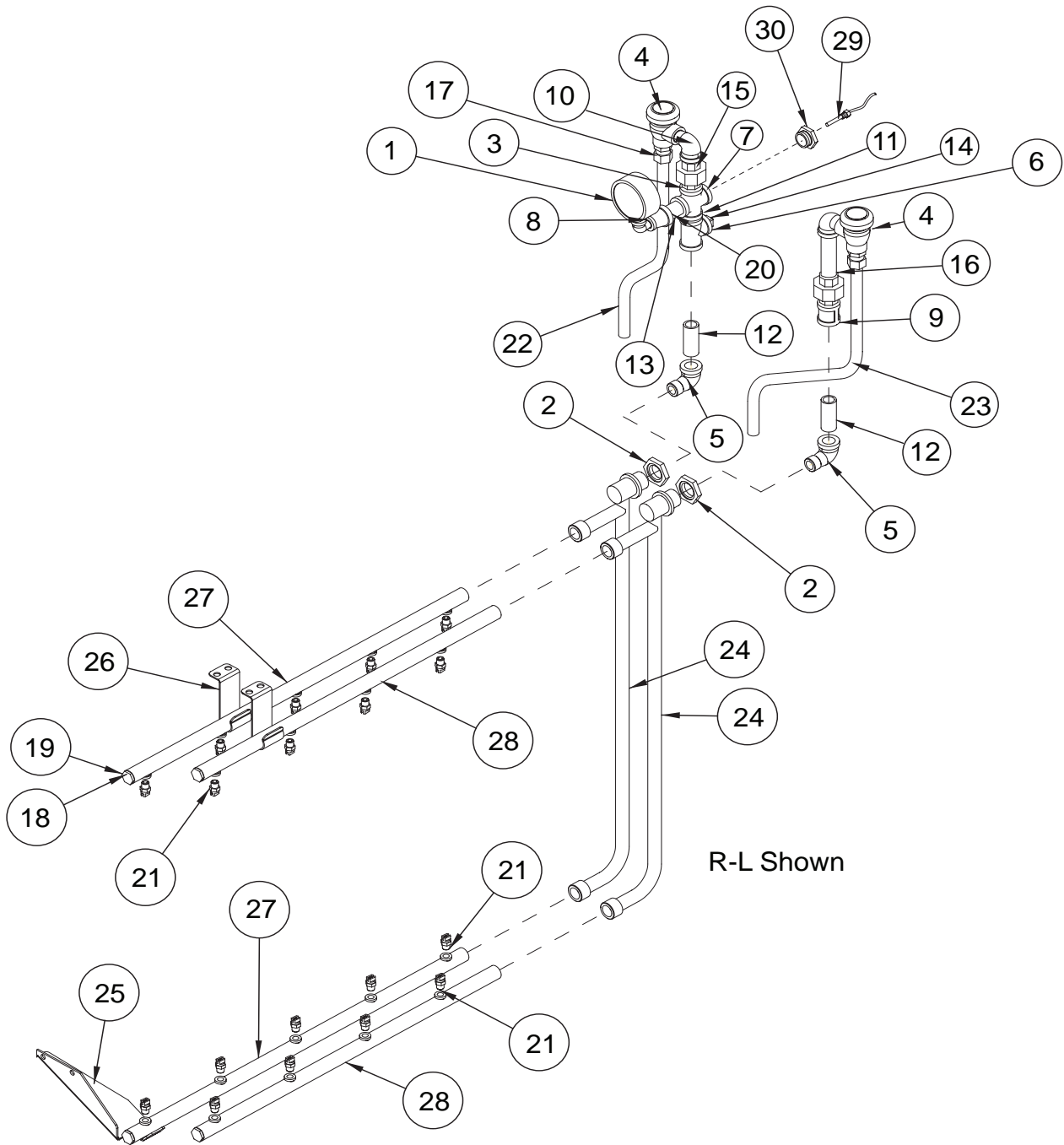
111383 HEATER 10 KW, 575/60/3  
 112061 HEATER 12 KW, 575/60/3



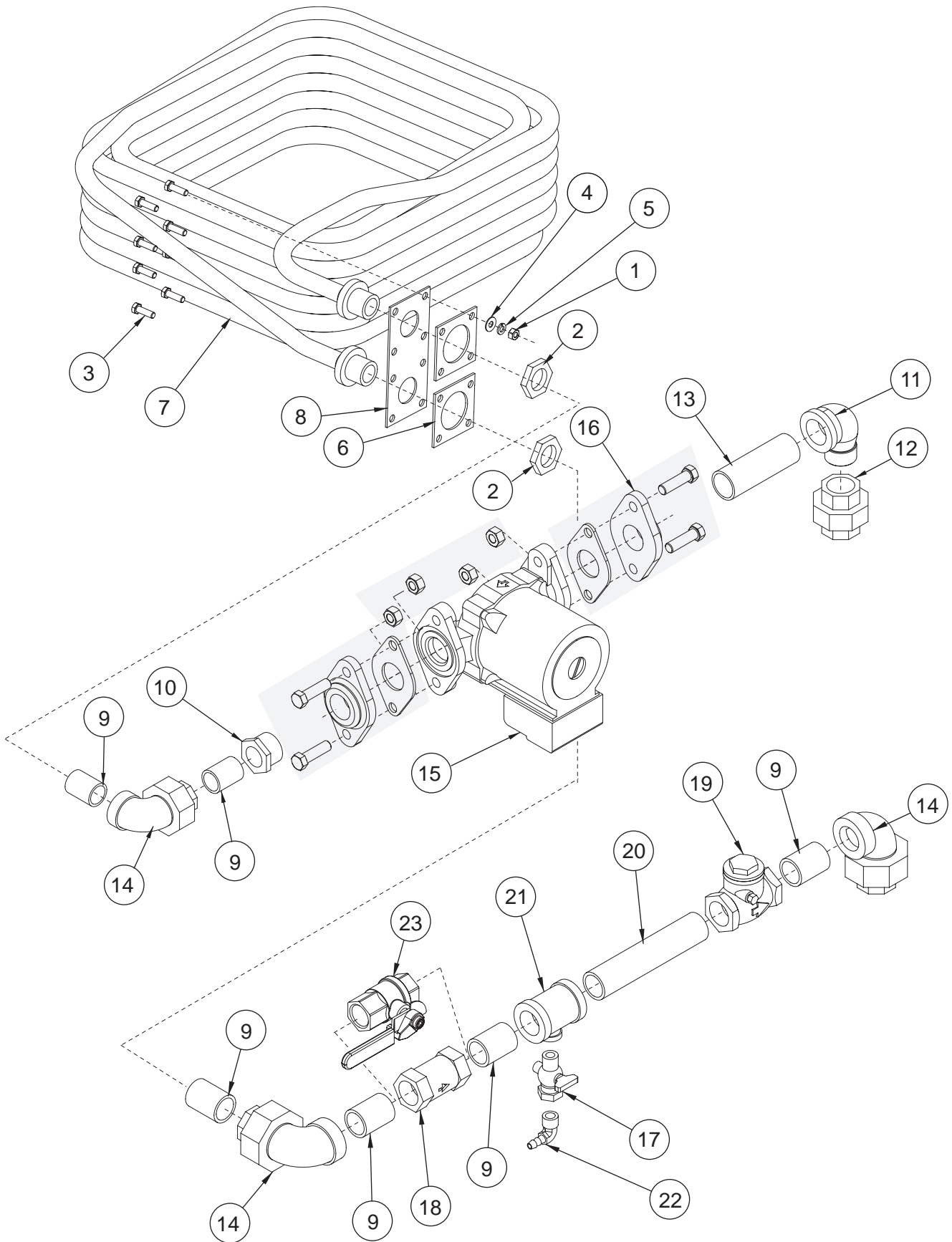
*EUCC-4 / EUCC-3*  
 70°F / 39° Rise  
**BOOSTER ASSY,ELEC,R-L,28kW@480V**

| Item No. | Part No. | Description                   | Qty. |
|----------|----------|-------------------------------|------|
| 1        | 100003   | HEX PLAIN NUT, 1/4-20 SST     | 9    |
| 2        | 106482   | WASHER, LOCK, 1/4 SPLIT SST   | 9    |
| 3        | 108579   | HEATER 9KW, 480V,3PH BOOSTER  | 2    |
| 4        | 111234   | HEATER 10KW, 480V,3PH BOOSTER | 1    |
| 5        | 414331   | TANK, BOOSTER                 | 1    |

111383 HEATER 10 KW, 575/60/3  
 112061 HEATER 12 KW, 575/60/3

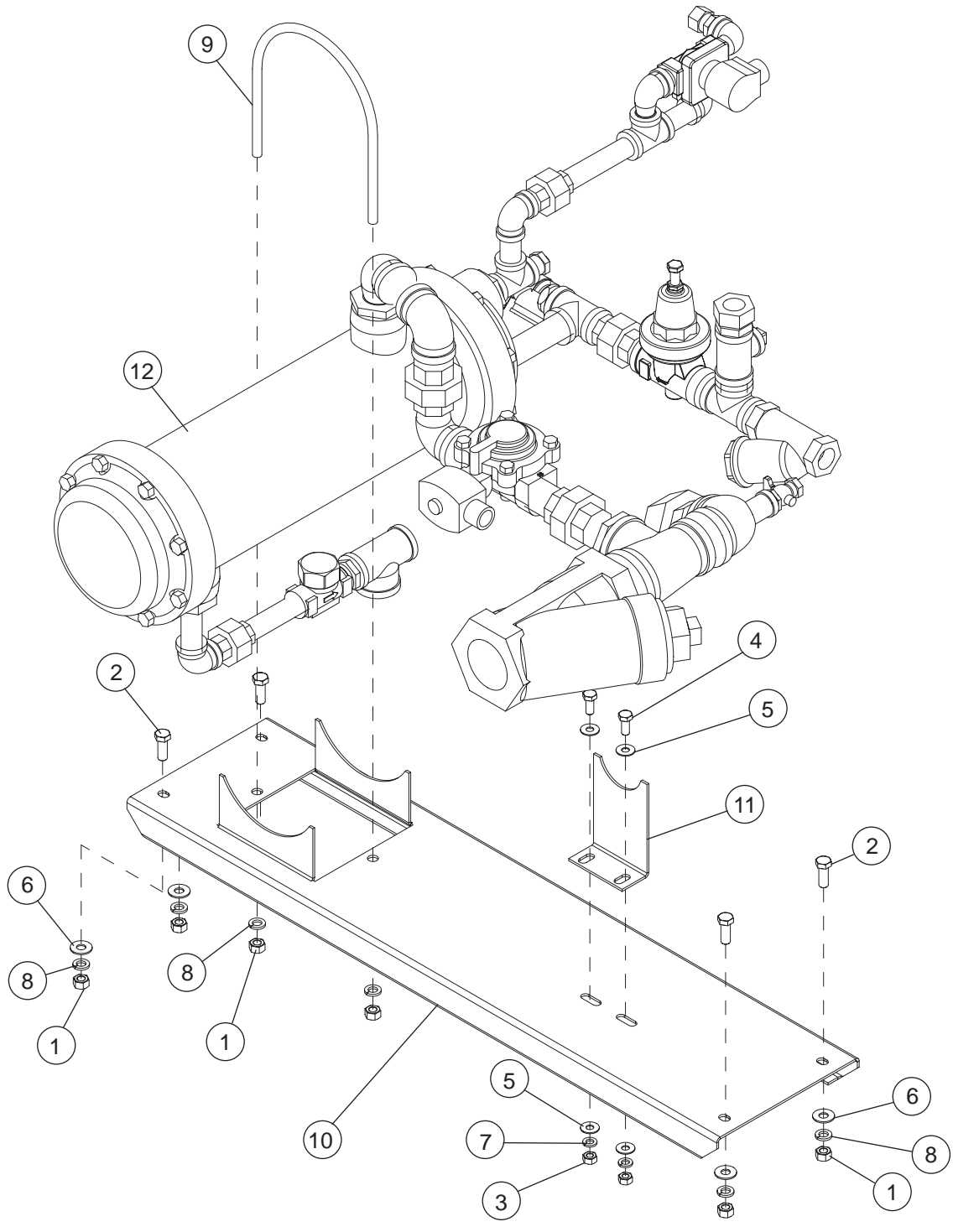


| Item No. | Part No. | Description                               | Qty. |
|----------|----------|---|------|
| 1        | 100135   | GAUGE, PRESSURE 0-60 PSI                  | 1    |
| 2        | 100156   | LOCKNUT, 3/4" NPT BRASS                   | 2    |
| 3        | 100209   | NIPPLE, 1/2" NPT CLOSE, BRASS             | 3    |
| 4        | 100500   | BREAKER, VACUUM 1/2" NPT BRONZE           | 1    |
| ---      | 900836   | KIT, REPAIR VACUUM BREAKER, 1/2"          | A/R  |
| 5        | 100516   | ELBOW, STREET, 1/2" NPT X 90° SST         | 2    |
| 6        | 100554   | TEE, 1/2" NPT SST                         | 1    |
| 7        | 100598   | CROSS, 1/2" NPT BRASS                     | 1    |
| 8        | 101261   | ELBOW, STREET 1/4" NPT X 90° BRASS        | 1    |
| 9        | 102412   | COUPLING, NPT BRASS                       | 1    |
| 10       | 102438   | ELBOW, STREET 1/2" NPT X 90° BRASS        | 2    |
| 11       | 102459   | NIPPLE, 1/2" NPT X CLOSE SST              | 1    |
| 12       | 102461   | NIPPLE, 1/2" NPT X 2" LG., SST            | 2    |
| 13       | 102492   | NIPPLE, 1/2" NPT 2" LG., BRASS            | 1    |
| 14       | 102504   | PLUG, 1/2" NPT SQUARE HD., BRASS          | 1    |
| 15       | 102549   | UNION, 1/2" NPT, BRASS                    | 2    |
| 16       | 102570   | NIPPLE, 1/2" NPT X 4" LG., BRASS          | 1    |
| 17       | 109925   | FITTING, COMP. 5/8" OD X 1/2" NPT BRASS   | 2    |
| 18       | 113716   | O-RING                                    | 4    |
| 19       | 113795   | PLUG, E FINAL RINSE MANIFOLD              | 4    |
| 20       | 114182   | COUPLING, RED. 1/2" NPT X 1/4" NPT, BRASS | 1    |
| 21       | 114483   | NOZZLE, VEE-JET #9502                     | 18   |
| 22       | 206655   | TUBE, FINAL RINSE SUPPLY                  | 1    |
| 23       | 206972   | TUBE, FINAL RINSE #2 SUPPLY               | 1    |
| 24       | 329800   | MANIFOLD, WELDMENT , E2 FRESH             | 2    |
| 25       | 330551-2 | BRACKET, LOWER PIPE SUPPORT E2            | 1    |
| 26       | 330553   | BRACKET, FINAL RINSE UPPER PIPE           | 2    |
| 27       | 332603   | PIPE, WELDMENT, FINAL RINSE 5-HOLE        | 2    |
| 28       | 332604   | PIPE, WELDMENT, PRE-FINAL RINSE 4-HOLE    | 2    |
| 29       | 114435   | THERMISTOR, 10K 36" LEAD                  | 1    |
| 30       | 0512299  | ADAPTER                                   | 1    |



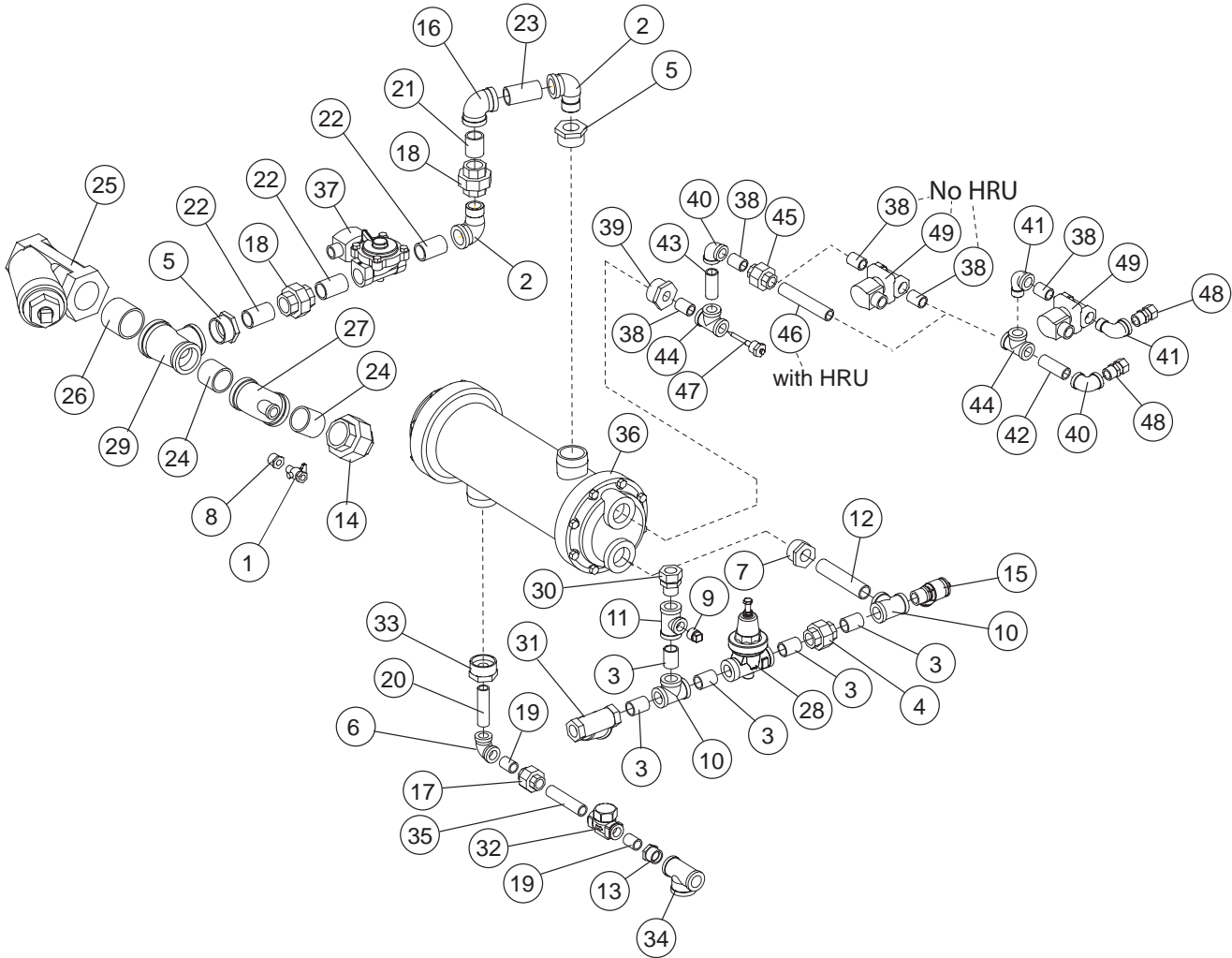
| Item No. | Part No. | Description  | Qty. |
|----------|----------|--|------|
| 1        | 100154   | HEX PLAIN NUT, 5/16-18 SST   | 8    |
| 2        | 100585   | LOCKNUT, 1" NPT BRASS  | 2    |
| 3        | 100740   | BOLT, HEX DF. 5/16-18 X 1" SST   | 8    |
| 4        | 102376   | WASHER, FLAT 5/16 SST  | 8    |
| 5        | 106013   | WASHER, LOCK 5/16 SPLIT SST  | 8    |
| 6        | 108345   | GASKET   | 2    |
| 7        | 331798   | COIL, WELDMENT, HOT WATER C4 EEUCCW  | 1    |
| ---      | 333939   | COIL, WELDMENT, HOT WATER C3 EEUCCW  | 1    |
| 8        | 331799   | PLATE, HOT WATER COIL, MOUNTING  | 1    |
| 9        | 100184   | NIPPLE, 3/4" NPT X CLOSE, BRASS  | 6    |
| 10       | 102396   | BUSHING, RED. 1" NPT X 3/4" NPT BRASS  | 1    |
| 11       | 102450   | ELBOW STREET, 1" NPT X 90° BRASS   | 1    |
| 12       | 102551   | UNION, 1" NPT, BRASS   | 1    |
| 13       | 102772   | NIPPLE, 1" NPT X 6-1/2" LG. BRASS  | 1    |
| 14       | 106911   | UNION, ELBOW, 3/4" NPT FEMAIL BRASS  | 3    |
| 15       | 111854   | PUMP, HOT WATER RECIRCULATING, BRONZE  | 1    |
| 16       | 111860   | FLANGE KIT, 1" NPT BRONZE HWC PUMP<br>(Order Separately - does not come with item 15)        | 1    |
| 17       | 100123   | PETCOCK, 1/4" NPT FEMALE, BRASS  | 1    |
| 18       | 100848   | VALVE, FLOW CONTROL, 3/4" NPT 6 GPM<br>(Prior to S/N J10092820)                              | 1    |
| 19       | 100853   | CHECK VALVE, 3/4" NPT BRONZE   | 1    |
| 20       | 102657   | NIPPLE, 3/4" NPT X 5" LG. BRASS  | 1    |
| 21       | 107418   | TEE, RED. 3/4" X 3/4" X 1/4" BRASS   | 1    |
| 22       | 110656   | HOSE BARB, 1/4" MPT X 1/4" OD X 90° BRASS  | 1    |
| 23       | 114461   | VALVE, BALL, 3/4" FNPT BRASS W/SETTING INDICATOR<br>(Beginning with S/N J10092820 and above) | 1    |

#120-1 Steam Booster Installation



| Item No. | Part No. | Description                          | Qty. |
|----------|----------|--------------------------------------|------|
| 1        | 100140   | HEX PLAIN NUT, 3/8-16 SST            | 6    |
| 2        | 100153   | BOLT, HEX HEAD, 3/8-16 X 1"          | 4    |
| 3        | 100154   | HEX PLAIN NUT, 5/16-18 SST           | 2    |
| 4        | 100739   | BOLT, HEX HEAD, 5/16-18 X 3/4" SST   | 2    |
| 5        | 102376   | WASHER, FLAT 5/16" X 3/4" X .05" SST | 4    |
| 6        | 104618   | WASHER, FLAT, 3/8" X 7/8" X .06" SST | 4    |
| 7        | 106013   | WASHER, LOCK 5/16 SPLIT SST          | 2    |
| 8        | 106407   | WASHER, LOCK 3/8" SPLIT SST          | 6    |
| 9        | 112334   | U-BOLT, #180 BOOSTER                 | 1    |
| 10       | 330244   | BASE DECK DEVP. STEAM BOOSTER        | 1    |
| 11       | 330245   | SUPPORT, STRAINER STEAM BOOSTER      | 1    |

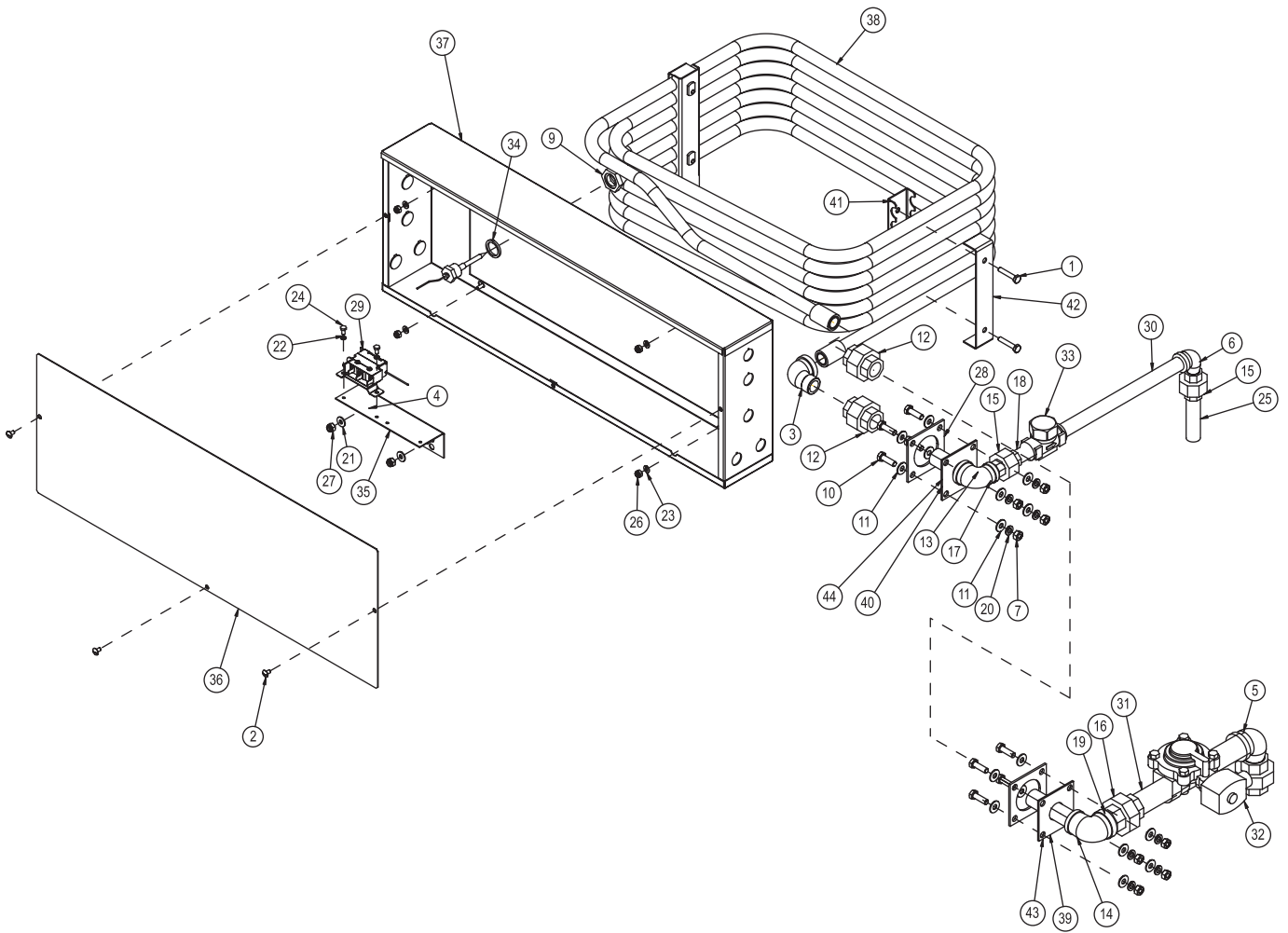
#120-1 Steam Booster Assembly



R-L shown

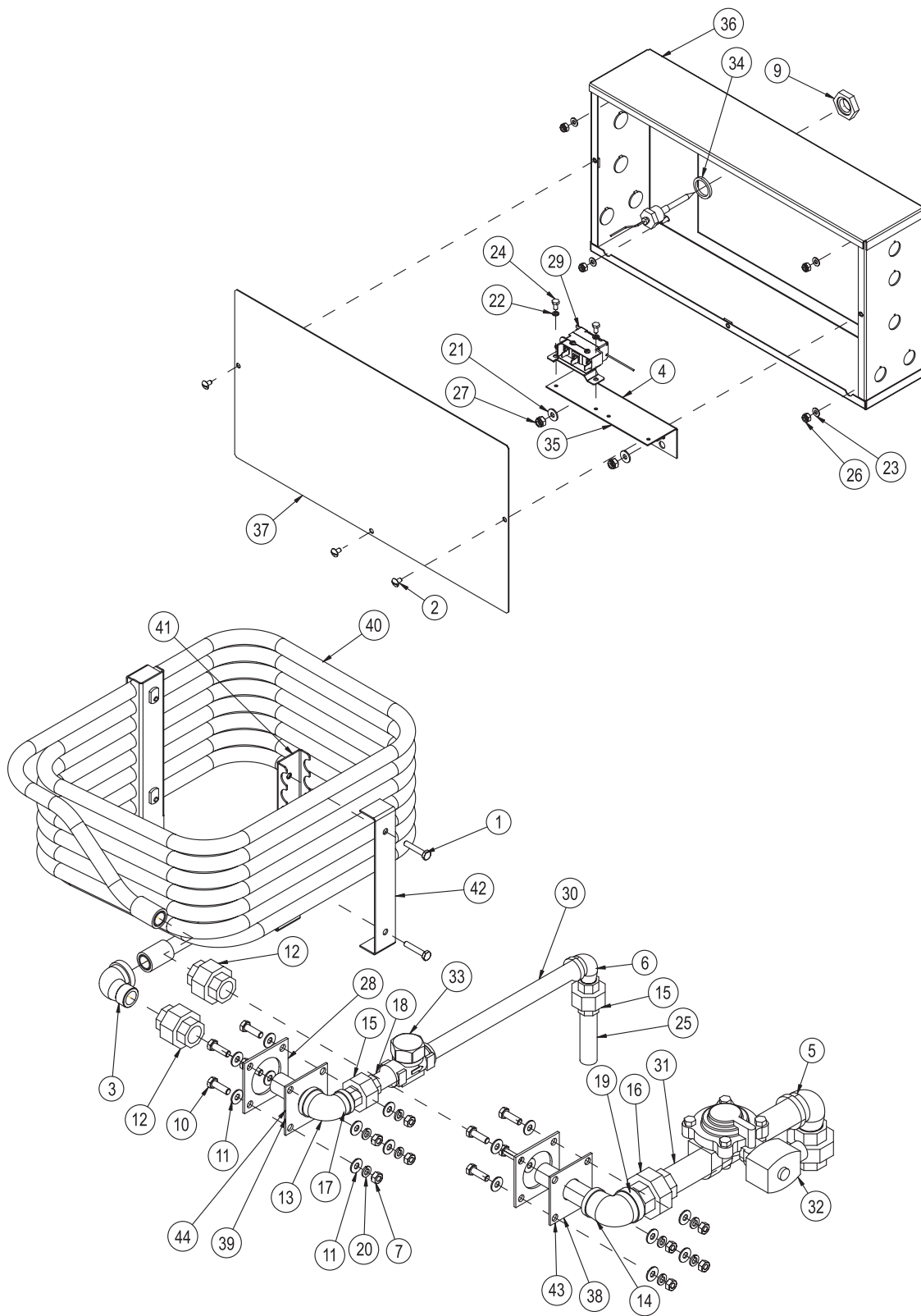
| Item No. | Part No. | Description  | Qty. |
|----------|----------|--|------|
| 1        | 100123   | PETCOCK, 1/4" NPT FEMALE, BRASS                          | 1    |
| 2        | 100134   | ELBOW, STREET 1" NPT X 90° MI                            | 2    |
| 3        | 100184   | NIPPLE, 3/4" NPT X CLOSE BRASS                           | 5    |
| 4        | 100571   | UNION, 3/4" NPT BRASS                                    | 1    |
| 5        | 100979   | BUSHING, REDUCING 1-1/2" NPT X 1" NPT BI                 | 2    |
| 6        | 102288   | ELBOW, 1/2" NPT X 90° MI                                 | 1    |
| 7        | 102399   | BUSHING, REDUCING 1-1/4" NPT X 3/4" NPT BRASS            | 1    |
| 8        | 102402   | BUSHING, REDUCING 1/2" NPT X 1/4" NPT BRASS              | 1    |
| 9        | 102504   | PLUG, 1/2" NPT SQ. HD., BRASS                            | 1    |
| 10       | 102521   | TEE, 3/4" NPT BRASS                                      | 2    |
| 11       | 102526   | TEE, RED, 3/4" X 3/4" X 1/2" NPT BRASS                   | 1    |
| 12       | 102657   | NIPPLE, 3/4" NPT X 5" LG. BRASS                          | 1    |
| 13       | 103465   | BUSHING, REDUCING 3/4" NPT X 1/2" NPT                    | 1    |
| 14       | 103586   | UNION, 1-1/2" NPT MI                                     | 1    |
| 15       | 104649   | VALVE, PRESSURE RELIEF, 3/4" NPT BRASS                   | 1    |
| 16       | 105733   | ELBOW, 1" NPT X 90° MI                                   | 1    |
| 17       | 105778   | UNION, 1/2" NPT MI                                       | 1    |
| 18       | 105780   | UNION, 1" NPT MI   | 2    |
| 19       | 105782   | NIPPLE, 1/2" NPT X CLOSE BI                              | 2    |
| 20       | 105786   | NIPPLE, 1/2" NPT X 3" LG. BI                             | 1    |
| 21       | 105847   | NIPPLE, 1" NPT X CLOSE BI                                | 1    |
| 22       | 105850   | NIPPLE, 1" NPT X 2" LG. BI                               | 3    |
| 23       | 105851   | NIPPLE, 1" NPT X 2-1/2" LG. BI                           | 1    |
| 24       | 105881   | NIPPLE, 1-1/2" NPT X CLOSE BI                            | 2    |
| 25       | 106051   | STRAINER, LINE 2" NPT BI                                 | 1    |
| 26       | 106607   | NIPPLE, 2" NPT X CLOSE BI                                | 1    |
| 27       | 107004   | TEE, RED, 1-1/2" X 1/2" X 1-1/2" MI                      | 1    |
| 28       | 107550   | VALVE, PRESSURE REGULATING, 3/4" BRONZE                  | 1    |
| 29       | 107657   | TEE, RED, 2" X 1-1/2" X 1-1/2" NPT BI                    | 1    |
| 30       | 109879   | FITTING, COMP. 7/8" OD X 3/4" MPT BRASS                  | 1    |
| 31       | 110768   | STRAINER, LINE 3/4" NPT BRONZE FEMALE                    | 1    |
| 32       | 111380   | STEAM TRAP, 1/2" NPT TDC                                 | 1    |
| 33       | 112349   | BUSHING, REDUCING 1-1/2" NPT X 1/2" NPT BI               | 1    |
| 34       | 112359   | TEE, RED, 3/4" X 3/4" X 1" NPT BI                        | 1    |
| 35       | 112748   | NIPPLE, 1/2" NPT X 3-3/4" LG. BI                         | 1    |
| 36       | 114167   | BOOSTER, THRUSH #120-1                                   | 1    |
| 37       | 114800   | VALVE, 1" NPT STEAM ASCO 12OVAC (L8220G410)              | 1    |
| ---      | 114830   | KIT, REPAIR (For Asco P/N L8220G410 Only)                | A/R  |
| 37       | 110005   | VALVE, 1" NPT STEAM ASCO (L8220G007) No longer Available | NLA  |
| ---      | 110007   | KIT, REPAIR (For Asco P/N L8220G007 Only)                | A/R  |
| 38       | 100209   | NIPPLE, 1/2" NPT X CLOSE BRASS                           | 5    |
| 39       | 102398   | BUSHING, REDUCING 1-1/4" X NPT X 1/2" NPT BRASS          | 1    |
| 40       | 102435   | ELBOW, 1/2" NPT X 90° BRASS                              | 2    |
| 41       | 102438   | ELBOW, STREET, 1/2" NPT X 90° BRASS                      | 2    |
| 42       | 102487   | NIPPLE, 1/2" NPT X 2-1/4" LG. BRASS                      | 1    |
| 43       | 102492   | NIPPLE, 1/2" NPT X 2" LG. BRASS                          | 1    |
| 44       | 102514   | TEE, 1/2" NPT BRASS                                      | 2    |
| 45       | 102549   | UNION, 1/2" NPT BRASS                                    | 1    |
| 46       | 102572   | NIPPLE, 1/2" NPT X 4-1/2" LG. BRASS (with HRU only)      | 1    |
| 47       | 109069   | THERMOSTAT, CONTROL W/CAPILLIARY                         | 1    |
| 48       | 109925   | FITTING, COMP. 5/8" OD X 1/2" MPT BRASS                  | 2    |
| 49       | 113352   | VALVE, 1/2" NPT, SOLENOID 115VAC                         | 2    |
| ---      | 113392   | KIT, REPAIR 1/2" SOLENOID VALVE                          | A/R  |
| ---      | 113357   | COIL, 1/2" SOLENOID VALVE 115VAC                         | A/R  |

Steam Coil Heat Installation C4 Wash, Rinse, 15-30 PSI



| Item No. | Part No. | Description                                 | Qty. |
|----------|----------|---|------|
| 1        | 100002   | BOLT, HEX HD. 1/4-20 X 1-3/8" SST           | 4    |
| 2        | 100007   | SCREW, TRUSS HEAD, 10-32 X 3/8" SST         | 3    |
| 3        | 100023   | STREET, ELBOW 3/4" NPT X 90° SST            | 1    |
| 4        | 100109   | WELD STUD, 1/4-20 X 1/2" LG. SST            | 1    |
| 5        | 100134   | ELBOW, STREET, 1" NPT X 90° MI              | 1    |
| 6        | 100147   | ELBOW, STREET, 1/2" NPT X 90° MI            | 1    |
| 7        | 100154   | HEX PLAIN NUT, 5/16-18 SST                  | 8    |
| 8        | 100198   | WELD STUD, 10-32 X 1/2" SST                 | 4    |
| 9        | 100547   | LOCKNUT, 1/2" NPT SST                       | 1    |
| 10       | 100740   | BOLT, HEX HD., 5/16-18 X 1" SST             | 8    |
| 11       | 102376   | WASHER, FLAT 5/16" SST                      | 16   |
| 12       | 102554   | UNION, 3/4" NPT SST                         | 2    |
| 13       | 105738   | ELBOW, REDUCING 1" NPT X 1/2" NPT X 90° MI  | 1    |
| 14       | 105739   | ELBOW, REDUCING, 1" NPT X 3/4" NPT X 90° MI | 1    |
| 15       | 105778   | UNION, 1/2" NPT MI                          | 2    |
| 16       | 105780   | UNION, 1" NPT MI                            | 2    |
| 17       | 105782   | NIPPLE, 1/2" NPT X CLOSE BI                 | 1    |
| 18       | 105783   | NIPPLE, 1/2" NPT X 2" LG. BI                | 1    |
| 19       | 105847   | NIPPLE, 1" NPT X CLOSE BI                   | 1    |
| 20       | 106013   | WASHER, LOCK 5/16" SPLIT SST                | 8    |
| 21       | 106026   | WASHER, FLAT 1/4" SST                       | 2    |
| 22       | 106486   | WASHER, LOCK #10 SPLIT, SST                 | 2    |
| 23       | 107033   | WASHER, FLAT .208" X .438" X .047" SST      | 4    |
| 24       | 107136   | SCREW, HEX HD., 10-32 X 3/8" SST            | 2    |
| 25       | 107488   | NIPPLE, 1/2" NPT X 3-1/2" LG. BI            | 1    |
| 26       | 107966   | HEX GRIP NUT, 10-32 SST W/NYLON INSERT      | 4    |
| 27       | 107967   | HEX GRIP NUT, 1/4-20 SST W/NYLON INSERT     | 2    |
| 28       | 108345   | GASKET, HEATER/STANDPIPE                    | 2    |
| 29       | 109069   | THERMOSTAT, CONTROL WITH CAPILLARY          | 1    |
| 30       | 109580   | NIPPLE, 1/2" NPT X 11" LG. BI               | 1    |
| 31       | 109969   | NIPPLE, 1" NPT X 3-3/4" LG BI               | 2    |
| 32       | 110005   | VALVE, 1" ASCO (NO LONGER AVAILABLE)        | 1    |
|          | 110007   | REPAIR KIT, 1" ASCO VALVE # L8220G007 ONLY  | A/R  |
| ---      | 114800   | VALVE, 1" ASCO STEAM ASCO # L8220G410       | 1    |
|          | 114830   | REPAIR KIT, 1" ASCO VALVE # L8SS0G410 ONLY  | A/R  |
| 33       | 111380   | STEAM TRAP, 1/2" NPT TDC                    | 1    |
| 34       | 201041   | WASHER, SPACER 7/8" X 1-3/16" X 1/8" NP     | 1    |
| 35       | 323430   | BRACKER, THERMOSTAT                         | 1    |
| 36       | 329768   | COVER, HEATER BOX C4-BKT                    | 1    |
| 37       | 329769   | HEATER BOX WELDMENT, C4-B                   | 1    |
| 38       | 330129   | STEAM COIL WELDMENT, C4-HP                  | 1    |
| 39       | 330242   | FLANGE, WELDMENT STEAM, C3/C4 HP            | 1    |
| 40       | 330243   | FLANGE, WELDMENT, CONDENSATE C3/C4 HP       | 1    |
| 41       | 330362   | BRACKET, WELDMENT C4, STEAM COIL            | 2    |
| 42       | 330363   | CAP, DEVELOPMENT STEAM COIL BRACKET         | 2    |

Steam Coil Heat Installation C3 Wash, Rinse, 15-30 PSI



| Item No. | Part No. | Description                                   | Qty. |
|----------|----------|---|------|
| 1        | 100002   | HEX HEAD, 1/4-20 X 1 3/8 SST                  | 4    |
| 2        | 100007   | SCREW, TRUSS HEAD, 10-32 x 3/8 SST            | 3    |
| 3        | 100023   | STREET ELBOW, 3/4"NPT X 90, SST               | 1    |
| 4        | 100109   | WELD-STUD, 1/4-20 X 1/2 LG. SST               | 2    |
| 5        | 100134   | ELBOW, STREET, 1NPT X 90, MI                  | 1    |
| 6        | 100147   | ELBOW, STREET, 1/2NPT X 90, MI                | 1    |
| 7        | 100154   | HEX PLAIN NUT, 5/16-18 SST                    | 8    |
| 8        | 100198   | WELD-STUD, 10-32 X 1/2 LG. SST                | 4    |
| 9        | 100547   | LOCKNUT, 1/2" NPT, SST                        | 1    |
| 10       | 100740   | HEX HEAD, 5/16-18 X 1 SST                     | 8    |
| 11       | 102376   | WASHER, FLAT, 5/16x3/4x.06 SST                | 16   |
| 12       | 102554   | UNION, 3/4"NPT, SST                           | 2    |
| 13       | 105738   | ELBOW, REDUCING, 3/4"NPT X 1/2"NPT X 90, M.I. | 1    |
| 14       | 105739   | ELBOW, REDUCING, 1"NPT X 3/4"NPT X 90, M.I.   | 1    |
| 15       | 105778   | UNION, 1/2"NPT, MALLEABLE IRON                | 2    |
| 16       | 105780   | UNION, 1"NPT, MALLEABLE IRON                  | 2    |
| 17       | 105782   | NIPPLE, 1/2"NPT X CLOSE., B.I.                | 1    |
| 18       | 105783   | NIPPLE, 1/2"NPT X 2" LG., B.I.                | 1    |
| 19       | 105847   | NIPPLE, 1"NPT X CLOSE, B.I.                   | 1    |
| 20       | 106013   | WASHER, LOCK, 5/16 SPLIT, SST                 | 8    |
| 21       | 106026   | WASHER, FLAT, 1/4x5/8x.06 SST                 | 2    |
| 22       | 106486   | WASHER, LOCK, #10 SPLIT, SST                  | 2    |

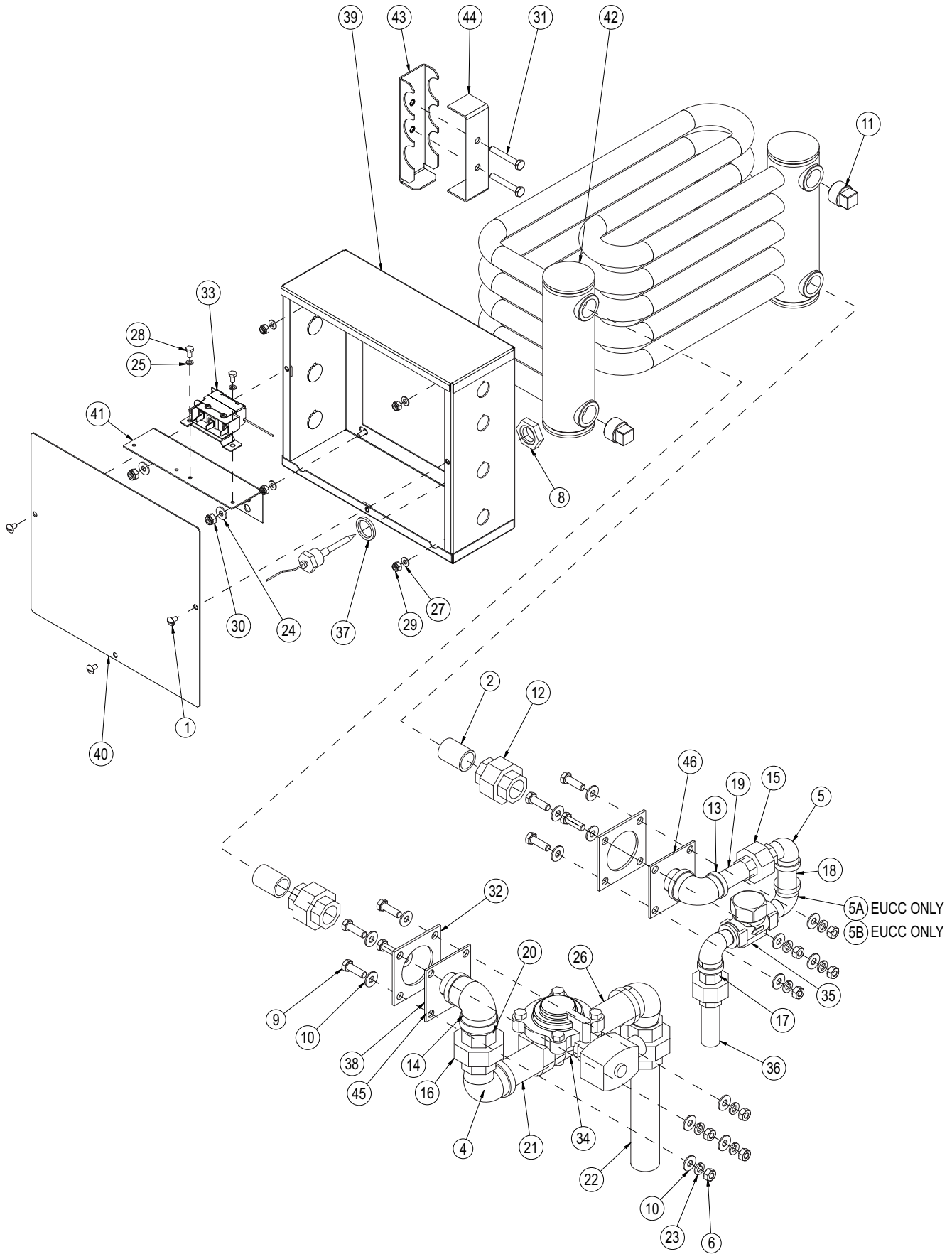
***(Parts list continued on next page)***

Steam Coil Heat Installation C3 Wash, Rinse,15-30 PSI

| Item No. | Part No. | Description                                      | Qty. |
|----------|----------|--|------|
| 23       | 107033   | WASHER,FLAT,.208X.438X.047 SST                   | 4    |
| 24       | 107136   | SCREW,HEX HEAD,10-32 x 3/8 SST                   | 2    |
| 25       | 107488   | NIPPLE,1/2"NPT X 3 1/2" LG.,B.I.                 | 1    |
| 26       | 107966   | HEX GRIP NUT,10-32 SST W/NYLON                   | 4    |
| 27       | 107967   | HEX GRIP NUT,1/4-20 SST W/NYLON                  | 2    |
| 28       | 108345   | GASKET,HEATER/STANDPIPE                          | 2    |
| 29       | 109069   | THERMOSTAT,CONTROL,WITH CAPILLARY                | 1    |
| 30       | 109580   | NIPPLE,1/2"NPT X 11" LG.,B.I. EUCCW              | 1    |
| ---      | 105796   | NIPPLE,1/2"NPT X 7" LG.,B.I. EUCC                | 1    |
| 31       | 109969   | NIPPLE,1"NPT X 3 3/4" LG.,B.I. EUCCW             | 2    |
| ---      | 105850   | NIPPLE,1"NPT X 2" LG.,B.I. EUCC                  | 2    |
| 32       | 110005   | VALVE,1"NPT STEAM,ACSO (NO LONGER AVAILABLE)     | 1    |
|          | 110007   | REPAIR KIT, 1" ASCO STEAM VALVE # L8220G007 ONLY | A/R  |
| 32       | 114800   | VALVE,1"NPT STEAM,ASCO # L8220G410               | 1    |
|          | 114830   | REPAIR KIT, 1" ASCO STEAM VALVE # L8220G410 ONLY | A/R  |
| 33       | 111380   | STEAM TRAP,1/2"NPT TDC                           | 1    |
| 34       | 201041   | WASHER,SPACER,7/8x1 3/16x1/8 NP                  | 1    |
| 35       | 323430   | BRACKET, THERMOSTATS,USN72,44CR                  | 1    |
| 36       | 330217   | HEATER BOX WELDMENT,C3-B                         | 1    |
| 37       | 330218   | COVER,HEATER BOX,C3-BKT                          | 1    |
| 38       | 330242   | FLANGE WELDMENT,STEAM,C3/C4 HP                   | 1    |
| 39       | 330243   | FLANGE WELDMENT,CONDENSATE,C3/C4 HP              | 1    |
| 40       | 331116   | STEAM COIL WELDMENT,C3 HP                        | 1    |
| 41       | 331117   | BRACKET WELDMENT,C3 STEAM COIL                   | 2    |
| 42       | 331118   | CAP DEVP,STEAM COIL BRACKET,C3                   | 2    |
| 43       | 601798   | PIPING SUB-ASSY,STEAM,C3/C4                      | 1    |
| ---      | 601798   | PIPING SUB-ASSY,STEAM,C3/C4                      | 1    |
| 44       | 601804   | PIPING SUB-ASSY,CONDENSATE,C3/C4                 | 1    |
| ---      | 601804   | PIPING SUB-ASSY,CONDENSATE,C3/C4                 | 1    |

***This Page  
Intentionally  
Left Blank***

Steam Coil Heat Installation, Auxiliary Rinse, 15-30 PSI



| Item No. | Part No. | Description                                | Qty. |
|----------|----------|--|------|
| 1        | 100007   | SCREW,TRUSS HEAD,10-32 x 3/8 SST           | 3    |
| 2        | 100051   | NIPPLE,3/4"NPT X CLOSE,SST                 | 2    |
| 3        | 100109   | WELD-STUD,1/4-20 X 1/2 LG.SST              | 2    |
| 4        | 100134   | ELBOW,STREET,1NPT X 90,MI                  | 2    |
| 5        | 100147   | ELBOW,STREET,1/2NPT X 90,MI                | 3    |
| 5A       | 102288   | ELBOW,1/2NPT X 90,MI EUCC                  | 3    |
| 5B       | 107488   | NIPPLE,1/2NPT X 3-1/2" LG. B.I. EUCC       | 3    |
| 6        | 100154   | HEX PLAIN NUT,5/16-18 SST                  | 8    |
| 7        | 100198   | WELD-STUD,10-32 X 1/2 LG.SST               | 4    |
| 8        | 100547   | LOCKNUT,1/2" NPT,SST                       | 1    |
| 9        | 100740   | HEX HEAD,5/16-18 X 1 SST                   | 8    |
| 10       | 102376   | WASHER,FLAT,5/16x3/4x.06 SST               | 16   |
| 11       | 102506   | PLUG,3/4"NPT SQ.HEAD,SST                   | 2    |
| 12       | 102554   | UNION,3/4"NPT, SST                         | 2    |
| 13       | 105738   | ELBOW,REDUCING,3/4"NPT X 1/2"NPT X 90,M.I. | 1    |
| 14       | 105739   | ELBOW,REDUCING,1"NPT X 3/4"NPT X 90,M.I.   | 1    |
| 15       | 105778   | UNION,1/2"NPT, MALLEABLE IRON              | 2    |
| 16       | 105780   | UNION,1"NPT, MALLEABLE IRON                | 2    |
| 17       | 105782   | NIPPLE,1/2"NPT X CLOSE.,B.I.               | 1    |
| 18       | 105783   | NIPPLE,1/2"NPT X 2" LG.,B.I.               | 1    |
| 19       | 105785   | NIPPLE,1/2"NPT X 2 1/2" LG.,B.I. EUCCW     | 1    |
| ---      | 105782   | NIPPLE,1"NPT X CLOSE,B.I. EUCC             | 1    |
| 20       | 105847   | NIPPLE,1"NPT X CLOSE,B.I.                  | 1    |
| 21       | 105854   | NIPPLE,1"NPT X 3 1/4" LG.,B.I.             | 1    |
| ---      | 105847   | NIPPLE,1"NPT X CLOSE,B.I. EUCC             | 1    |
| 22       | 105863   | NIPPLE,1"NPT X 6 1/2" LG.,B.I.             | 1    |
| 23       | 106013   | WASHER,LOCK,5/16 SPLIT,SST                 | 8    |

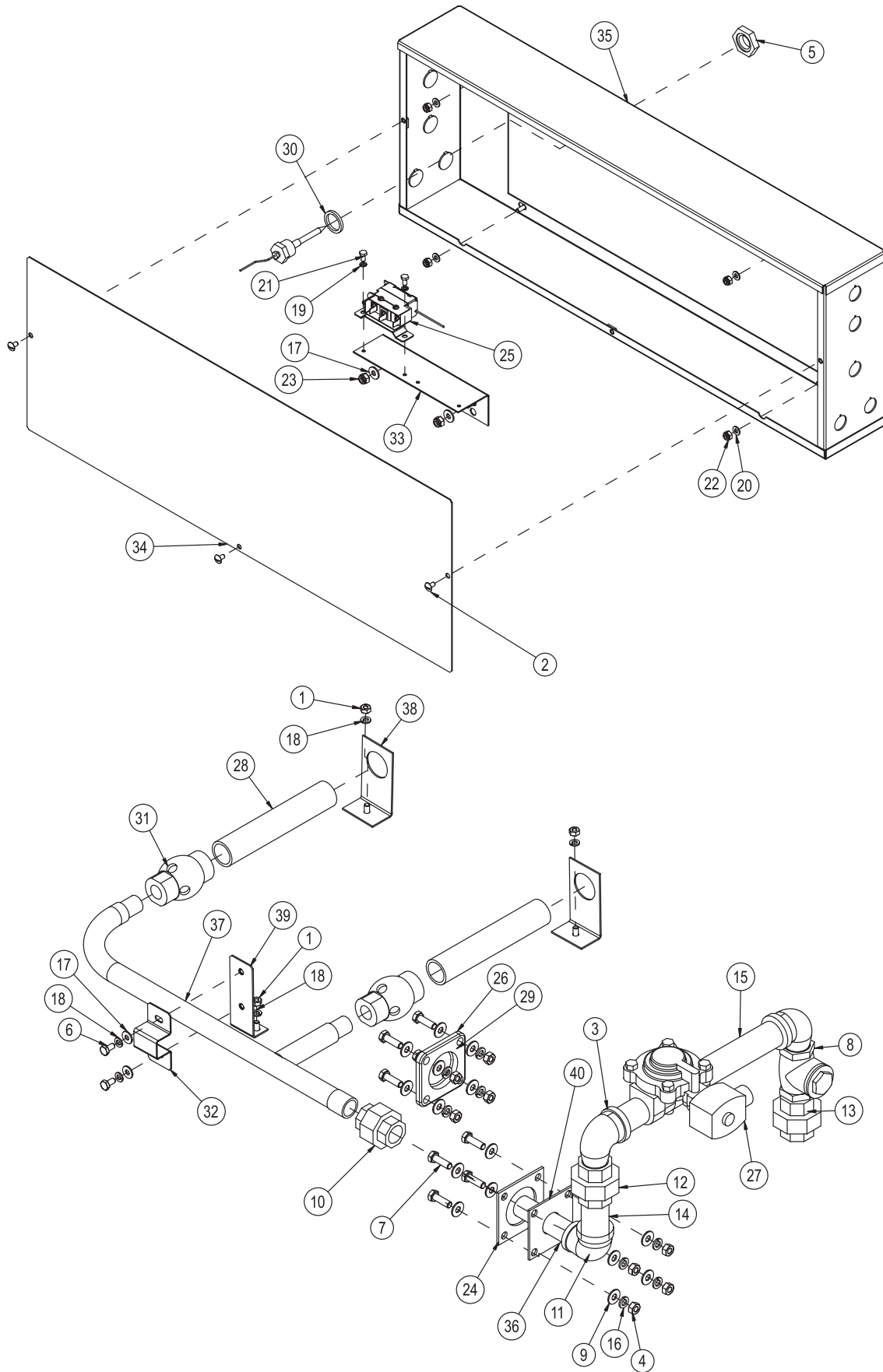
(Parts list continued on next page)

Steam Coil Heat Installation Auxiliary,15-30 PSI

| Item No. | Part No. | Description                                  | Qty. |
|----------|----------|--|------|
| 24       | 106026   | WASHER,FLAT,1/4x5/8x.06 SST                  | 2    |
| 25       | 106486   | WASHER,LOCK,#10 SPLIT,SST                    | 2    |
| 26       | 106789   | NIPPLE,1"NPT X 3 1/2" LG.,B.I. EUCCW         | 1    |
| ---      | 105847   | NIPPLE,1"NPT X CLOSE, B.I. EUCC              | 1    |
| 27       | 107033   | WASHER,FLAT,.208X.438X.047 SST               | 4    |
| 28       | 107136   | SCREW,HEX HEAD,10-32 x 3/8 SST               | 2    |
| 29       | 107966   | HEX GRIP NUT,10-32 SST W/NYLON               | 4    |
| 30       | 107967   | HEX GRIP NUT,1/4-20 SST W/NYLON              | 2    |
| 31       | 107999   | HEX HEAD,1/4-20 X 1 3/4 SST                  | 2    |
| 32       | 108345   | GASKET,HEATER/STANDPIPE                      | 2    |
| 33       | 109069   | THERMOSTAT,CONTROL,WITH CAPILLARY            | 1    |
| 34       | 110005   | VALVE, 1" ASCO (NO LONGER AVAILABLE)         | 1    |
|          | 110007   | REPAIR KIT, 1" ASCO VALVE # L8220G007 ONLY   | A/R  |
| ---      | 114800   | VALVE, 1" ASCO STEAM ASCO # L8220G410        | 1    |
|          | 114830   | REPAIR KIT, 1" ASCO VALVE # L8SS0G410 ONLY   | A/R  |
| 35       | 111380   | STEAM TRAP,1/2"NPT TDC                       | 1    |
| 36       | 112508   | NIPPLE,1/2"NPT X 2 3/4" LG.,B.I.             | 1    |
| 37       | 201041   | WASHER,SPACER,7/8x1 3/16x1/8 NP              | 1    |
| 38       | 307404   | FLANGE WELDMENT,STEAM,UCC/CW                 | 2    |
| 39       | 322811   | HEATER BOX WELDMENT,AUX.- B                  | 1    |
| 40       | 322812   | COVER,HEATER BOX,AUX.-BKT                    | 1    |
| 41       | 323430   | BRACKET, THERMOSTATS,USN72,44CR              | 1    |
| 42       | 330130   | STEAM COIL WELDMENT,AUX. LP/HP               | 1    |
| 43       | 330246   | BRACKET WELDMENT,STEAM COIL, AUXILIARY       | 1    |
| 44       | 330247   | CAP,STEAM COIL BRACKET, AUXILIARY            | 1    |
| 45       | 601827   | PIPING ASSY,STEAM, AUXILIARY RINSE, LR EUCCW | 1    |
| ---      | 601827   | PIPING ASSY,STEAM, AUXILIARY RINSE, LR EUCC  | 1    |
| 46       | 601828   | PIPING ASSY,COND, AUX. RINSE, LR EUCCW       | 1    |
| ---      | 601828   | PIPING ASSY,COND, AUX. RINSE, LR EUCC        | 1    |
| ---      | 601869   | PIPING ASSY,STEAM, AUXILIARY RINSE, RL EUCC  | 1    |
| ---      | 601824   | PIPING ASSY,STEAM, AUXILIARY RINSE, RL EUCCW | 1    |
| ---      | 601870   | PIPING ASSY,COND., AUXILIARY RINSE, RL EUCC  | 1    |
| ---      | 601825   | PIPING ASSY,COND., AUXILIARY RINSE, RL EUCCW | 1    |

***This Page  
Intentionally  
Left Blank***

Steam Injector Heat Installation C4/C8, 15-30 PSI



| Item No. | Part No. | Description                              | Qty. |
|----------|----------|--|------|
| 1        | 100003   | HEX PLAIN NUT,1/4-20 SST                 | 4    |
| 2        | 100007   | SCREW,TRUSS HEAD,10-32 x 3/8 SST         | 3    |
| 3        | 100134   | ELBOW,STREET,1NPT X 90,MI                | 2    |
| 4        | 100154   | HEX PLAIN NUT,5/16-18 SST                | 8    |
| 5        | 100547   | LOCKNUT,1/2" NPT,SST                     | 1    |
| 6        | 100734   | HEX HEAD,1/4-20 X 1/2 SST                | 2    |
| 7        | 100740   | HEX HEAD,5/16-18 X 1 SST                 | 8    |
| 8        | 100854   | CHECK VALVE,1" NPT BRONZE                | 1    |
| 9        | 102376   | WASHER,FLAT,5/16x3/4x.06 SST             | 16   |
| 10       | 102554   | UNION,3/4"NPT, SST                       | 1    |
| 11       | 105739   | ELBOW,REDUCING,1"NPT X 3/4"NPT X 90,M.I. | 1    |
| 12       | 105780   | UNION,1"NPT, MALLEABLE IRON              | 2    |
| 13       | 105847   | NIPPLE,1"NPT X CLOSE,B.I.                | 1    |
| 14       | 105853   | NIPPLE,1"NPT X 3" LG.,B.I.               | 2    |
| 15       | 105863   | NIPPLE,1"NPT X 6 1/2" LG.,B.I. EUCCW     | 1    |
| 15       | 105853   | NIPPLE,1"NPT X 3" LG.,B.I. EUCC          | 1    |
| 16       | 106013   | WASHER,LOCK,5/16 SPLIT,SST               | 8    |
| 17       | 106026   | WASHER,FLAT,1/4x5/8x.06 SST              | 4    |
| 18       | 106482   | WASHER,LOCK,1/4 SPLIT,SST                | 6    |
| 19       | 106486   | WASHER,LOCK,#10 SPLIT,SST                | 2    |
| 20       | 107033   | WASHER,FLAT,.208X.438X.047 SST           | 4    |

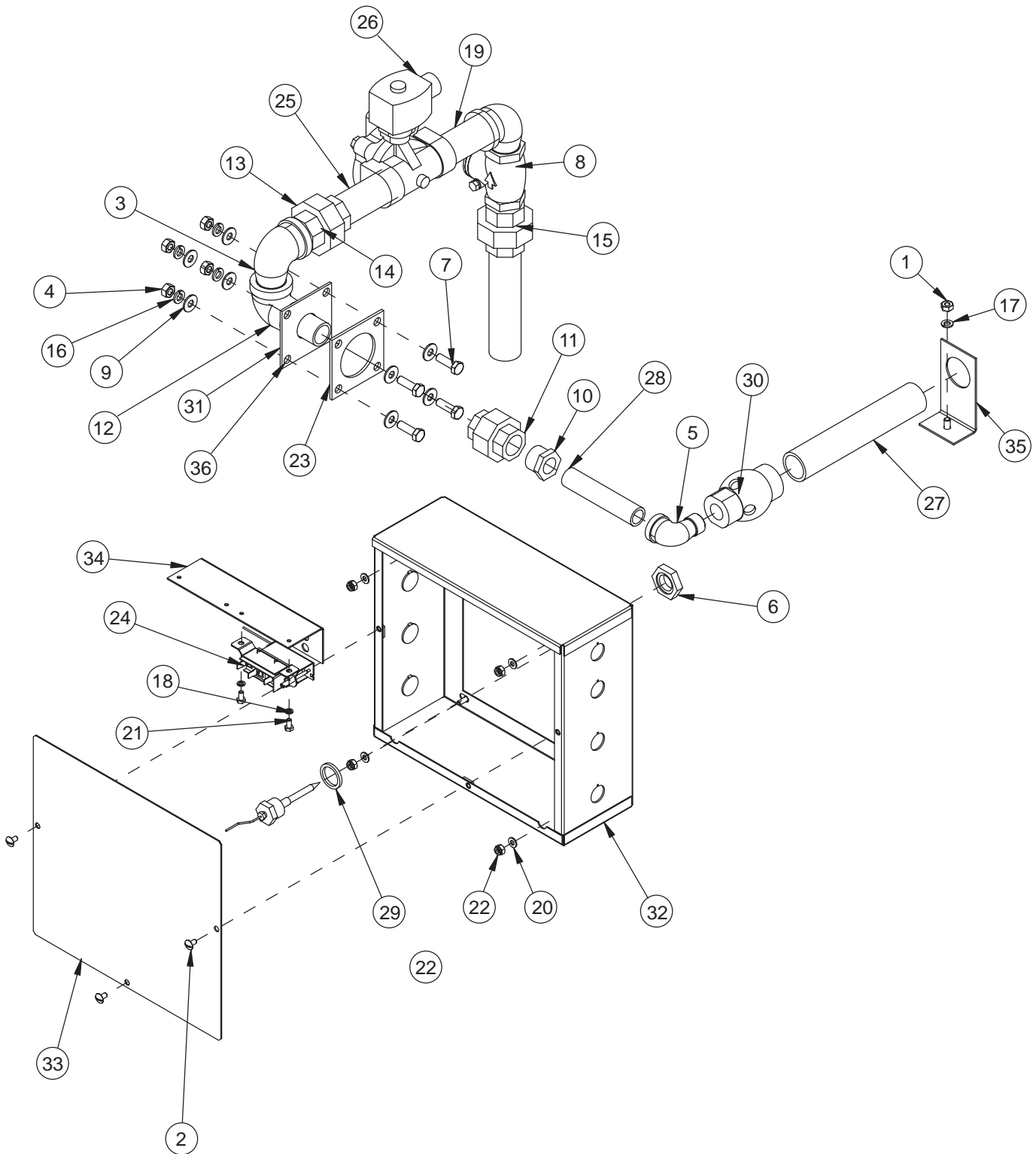
(Parts list continued on next page)

Steam Injector Heat Installation C4/C8, 15-30 PSI

| Item No. | Part No.         | Description   | Qty.     |
|----------|------------------|---|----------|
| 21       | 107136           | SCREW,HEX HEAD,10-32 x 3/8 SST  | 2        |
| 22       | 107966           | HEX GRIP NUT,10-32 SST W/NYLON  | 4        |
| 23       | 107967           | HEX GRIP NUT,1/4-20 SST W/NYLON   | 2        |
| 24       | 108345           | GASKET,HEATER/STANDPIPE   | 1        |
| 25       | 109069           | THERMOSTAT,CONTROL,WITH CAPILLARY   | 1        |
| 26       | 109683           | FLANGE,BLOCKOFF,HEATER/CROSSFLOW  | 1        |
| 27       | 110005<br>110007 | VALVE, 1" ASCO (NO LONGER AVAILABLE)<br>REPAIR KIT, 1" ASCO VALVE # L8220G007 ONLY  | 1<br>A/R |
| ---      | 114800<br>114830 | VALVE, 1" ASCO STEAM ASCO # L8220G410<br>REPAIR KIT, 1" ASCO VALVE # L8SS0G410 ONLY | 1<br>A/R |
| 28       | 111371           | NIPPLE,TOE,1"NPT X 7"LG.,SST  | 2        |
| 29       | 112257           | O-RING,55.3 X 66.7 X 5.7  | 1        |
| 30       | 201041           | WASHER,SPACER,7/8x1 3/16x1/8 NP   | 1        |
| 31       | 201110           | STEAM INJECTOR  | 2        |
| 32       | 321512           | CLAMP,STEAM INJECTOR BRACKET  | 1        |
| 33       | 323430           | BRACKET, THERMOSTATS,USN72,44CR   | 1        |
| 34       | 329768           | COVER,HEATER BOX,C4-BKT   | 1        |
| 35       | 329769           | HEATER BOX WELDMENT,C4-B  | 1        |
| 36       | 330242           | FLANGE WELDMENT,STEAM,C3/C4 HP  | 1        |
| 37       | 331175           | MANIFOLD WELDMENT,EUC-4FT STEAM INJECTOR  | 1        |
| 38       | 331176           | BRACKET,STEAM INJECTOR NIPPLE,C3/C4   | 2        |
| 39       | 331177           | BRACKET WELDMENT,STEAM INJECTOR SUPPORT   | 1        |
| 40       | 601861           | PIPING SUB-ASSY,STEAM INJECTOR,C3/C4 EUCCW  | 1        |
| ---      | 601868           | PIPING SUB-ASSY,STEAM INJECTOR,C3/C4 EUCC   | 1        |

***This Page  
Intentionally  
Left Blank***

Steam Injector Heat Installation, Auxiliary Rinse R-L, 15-30 PSI



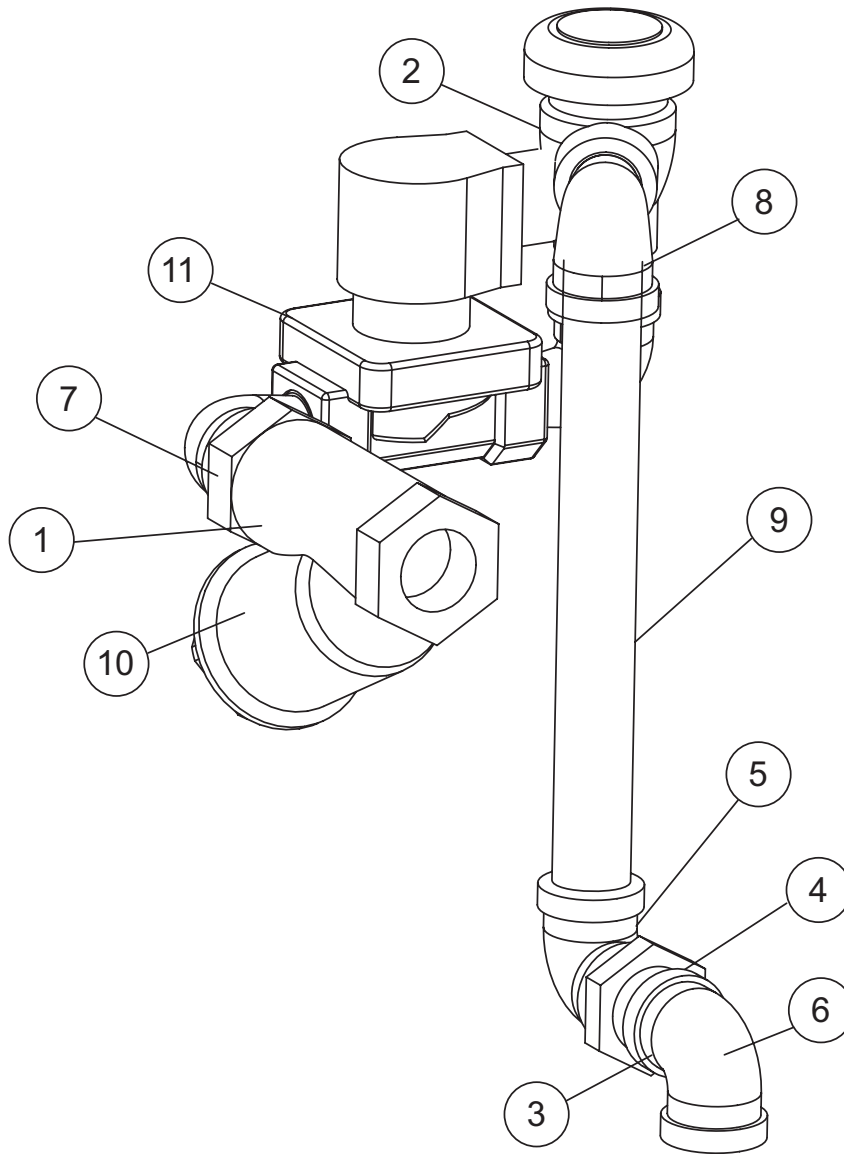
*Steam Injector Heat Installation, Auxiliary Rinse R-L, 15-30 PSI*

| Item No. | Part No. | Description                                | Qty. |
|----------|----------|--|------|
| 1        | 100003   | HEX PLAIN NUT,1/4-20 SST                   | 1    |
| 2        | 100007   | SCREW,TRUSS HEAD,10-32 x 3/8 SST           | 3    |
| 3        | 100134   | ELBOW,STREET,1NPT X 90,MI                  | 2    |
| 4        | 100154   | HEX PLAIN NUT,5/16-18 SST                  | 4    |
| 5        | 100516   | STREET ELBOW,1/2"NPT X 90,SST              | 1    |
| 6        | 100547   | LOCKNUT,1/2" NPT,SST                       | 1    |
| 7        | 100740   | HEX HEAD,5/16-18 X 1 SST                   | 4    |
| 8        | 100854   | CHECK VALVE,1" NPT BRONZE                  | 1    |
| 9        | 102376   | WASHER,FLAT,5/16x3/4x.06 SST               | 8    |
| 10       | 102393   | BUSHING,REDUCING,3/4"NPTx1/2"NPT,SST       | 1    |
| 11       | 102554   | UNION,3/4"NPT, SST                         | 1    |
| 12       | 105739   | ELBOW,REDUCING,1"NPT X 3/4"NPT X 90,M.I.   | 1    |
| 13       | 105780   | UNION,1"NPT, MALLEABLE IRON                | 2    |
| 14       | 105847   | NIPPLE,1"NPT X CLOSE,B.I.                  | 2    |
| 15       | 105861   | NIPPLE,1"NPT X 6" LG.,B.I.                 | 1    |
| 16       | 106013   | WASHER,LOCK,5/16 SPLIT,SST                 | 4    |
| 17       | 106482   | WASHER,LOCK,1/4 SPLIT,SST                  | 1    |
| 18       | 106486   | WASHER,LOCK,#10 SPLIT,SST                  | 2    |
| 19       | 106789   | NIPPLE,1"NPT X 3 1/2" LG.,B.I. EUCCW       | 1    |
| ---      | 105847   | NIPPLE,1"NPT X CLOSE, LG.,B.I. EUCC        | 1    |
| 20       | 107033   | WASHER,FLAT,.208X.438X.047 SST             | 4    |
| 21       | 107136   | SCREW,HEX HEAD,10-32 x 3/8 SST             | 2    |
| 22       | 107966   | HEX GRIP NUT,10-32 SST W/NYLON             | 4    |
| 23       | 108345   | GASKET,HEATER/STANDPIPE                    | 1    |
| 24       | 109069   | THERMOSTAT,CONTROL,WITH CAPELLARY          | 1    |
| 25       | 109969   | NIPPLE,1"NPT X 3 3/4" LG.,B.I. EUCCW       | 1    |
| ---      | 105850   | NIPPLE,1"NPT X 2" LG.,B.I. EUCC            | 1    |
| 26       | 110005   | VALVE, 1" ASCO (NO LONGER AVAILABLE)       | 1    |
|          | 110007   | REPAIR KIT, 1" ASCO VALVE # L8220G007 ONLY | A/R  |
| ---      | 114800   | VALVE, 1" ASCO STEAM ASCO # L8220G410      | 1    |
|          | 114830   | REPAIR KIT, 1" ASCO VALVE # L8SS0G410 ONLY | A/R  |
| 27       | 111371   | NIPPLE,TOE,1"NPT X 7"LG.,SST               | 1    |
| 28       | 112259   | NIPPLE,1/2"NPT X 4"LG.,SST                 | 1    |
| 29       | 201041   | WASHER,SPACER,7/8x1 3/16x1/8 NP            | 1    |
| 30       | 201110   | STEAM INJECTOR                             | 1    |
| 31       | 307404   | FLANGE WELDMENT,STEAM,UCC/CW               | 1    |
| 32       | 322811   | HEATER BOX WELDMENT,E2-B                   | 1    |
| 33       | 322812   | COVER,HEATER BOX,E2-BKT                    | 1    |
| 34       | 323430   | BRACKET, THERMOSTATS,USN72,44CR            | 1    |
| 35       | 331176   | BRACKET,STEAM INJECTOR NIPPLE,C3/C4        | 1    |
| 36       | 601862   | PIPING ASSY,STEAM INJECTOR,E2 RL EUCCW     | 1    |
| ---      | 601873   | PIPING ASSY,STEAM INJECTOR,E2 RL EUCC      | 1    |

***This Page  
Intentionally  
Left Blank***

***This Page  
Intentionally  
Left Blank***

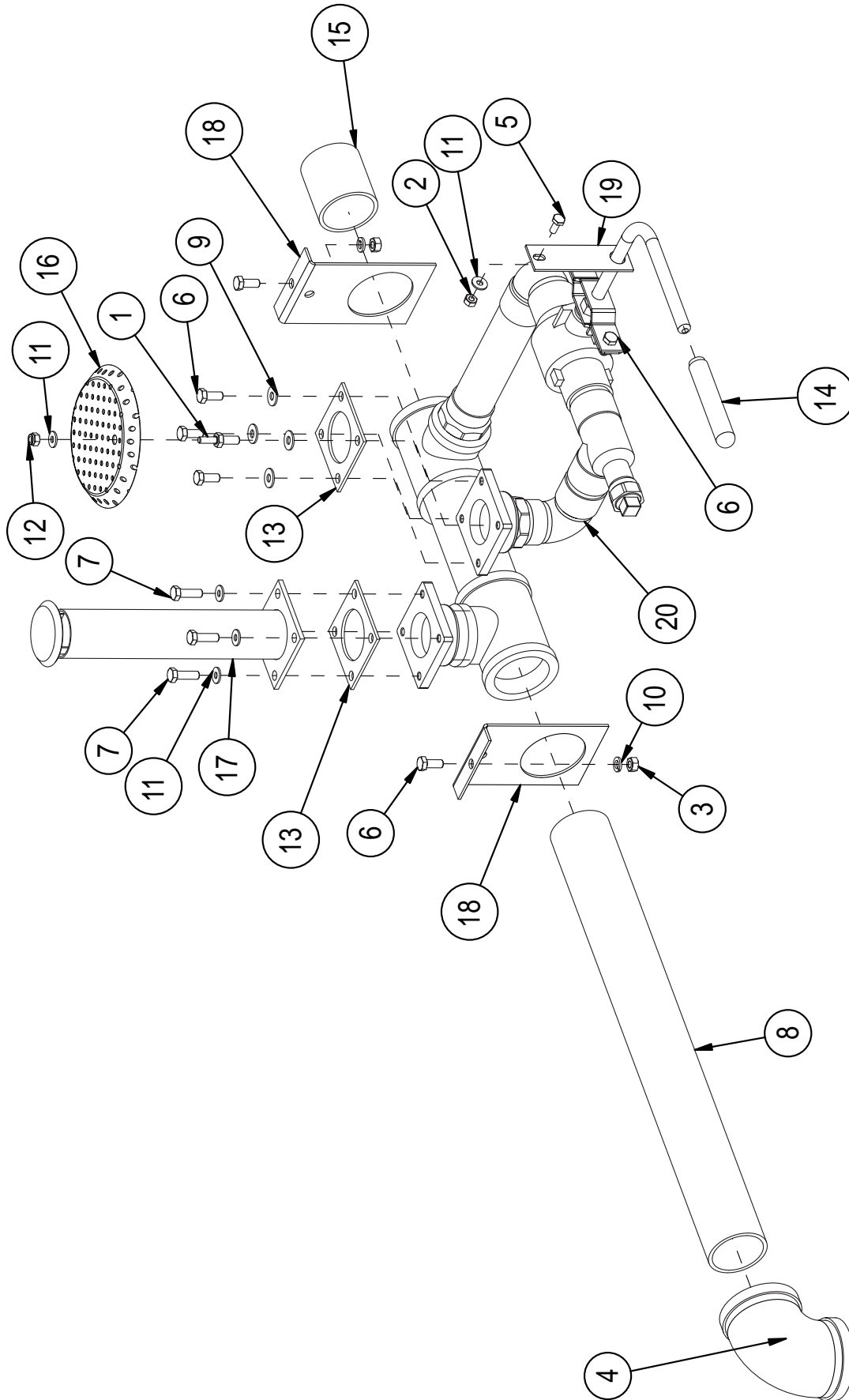
Cold Water Fill Piping Sub-assembly



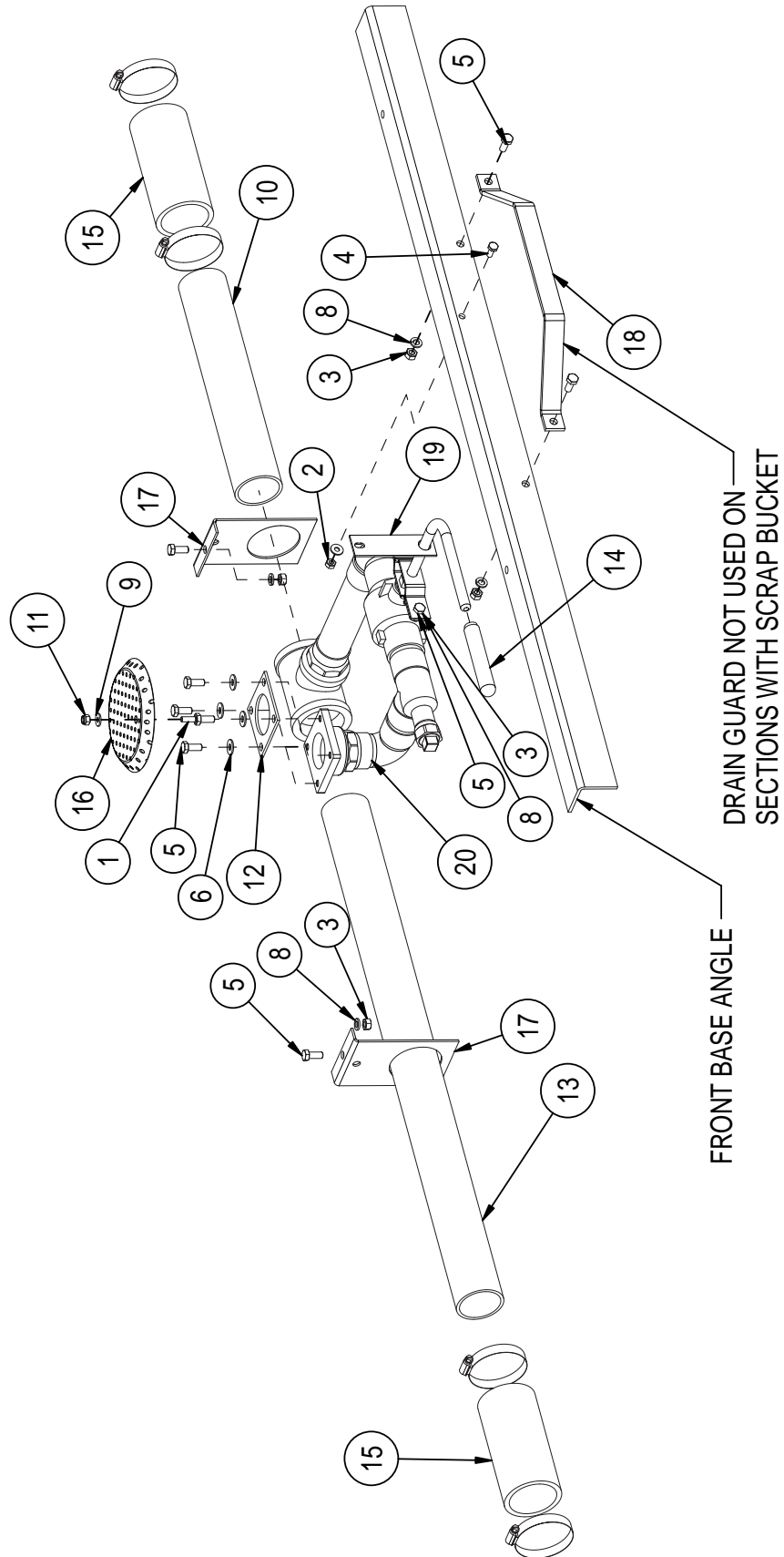
| Item No. | Part No.         | Description                                  | Qty. |
|----------|------------------|--|------|
| 1        | 100209           | NIPPLE,1/2"NPT X CLOSE,BRASS                 | 1    |
| 2        | 100500<br>108349 | VACUUM BREAKER,1/2" NPT BRONZE<br>REPAIR KIT | 1    |
| 3        | 100704           | NIPPLE,RTOE,1/2"NPT X 1 3/4"LG.,SST          | 1    |
| 4        | 100709           | LOCKNUT,1/2" NPT,BRASS                       | 1    |
| 5        | 102435           | ELBOW, 1/2"NPT x 90 DEG,BRASS                | 1    |
| 6        | 102436           | ELBOW,1/2"NPT X 90, SST                      | 1    |
| 7        | 102438           | ELBOW,STREET,1/2"NPT X 90, BRASS             | 3    |
| 8        | 102485           | NIPPLE,1/2"NPT X 1 1/2"LG.,BRASS             | 1    |
| 9        | 102582           | NIPPLE,1/2"NPT X 7 1/2"LG.,BRASS             | 1    |
| 10       | 110768           | STRAINER,LINE,3/4"NPT BRONZE FEMALE          | 1    |
| 11       | 113352           | VALVE 1/2" NPT SOLENOID 115V                 | 1    |
| ---      | 109902           | REPAIR KIT                                   | A/R  |
| ---      | 108516           | COIL, SOLENOID VALVE 115V                    | A/R  |



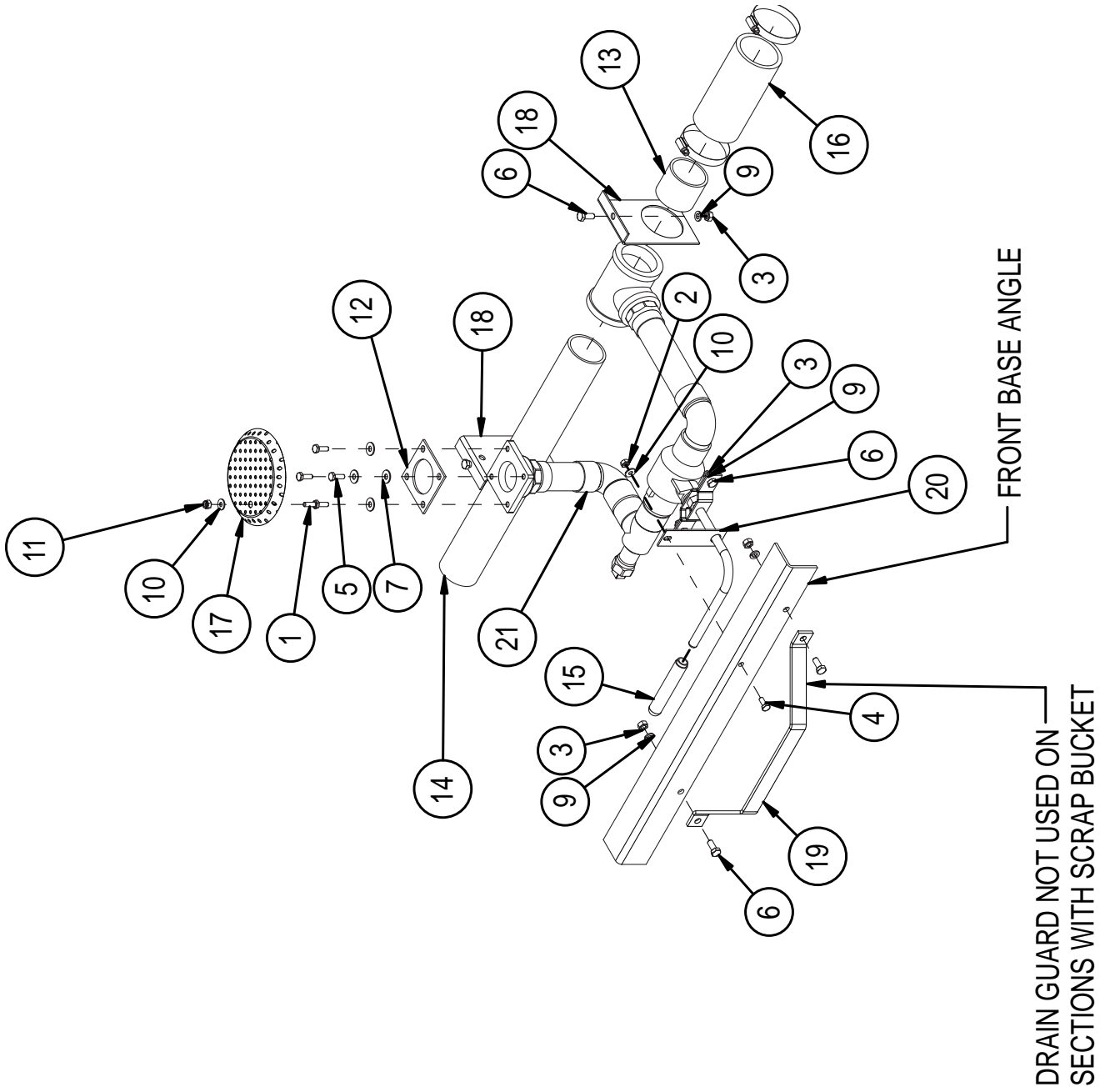
| Item No. | Part No. | Description                      | Qty. |
|----------|----------|----------------------------------|------|
| 1        | 100110   | WELD-STUD,1/4-20 X 3/4 LG.SST    | 1    |
| 2        | 100141   | HEX GRIP NUT,1/4-20 SST,CTR LOCK | 1    |
| 3        | 100154   | HEX PLAIN NUT,5/16-18 SST        | 2    |
| 4        | 100161   | ELBOW,2"NPT X 90,GALVANIZED      | 1    |
| 5        | 100735   | HEX HEAD,1/4-20 X 5/8 SST        | 1    |
| 6        | 100739   | HEX HEAD,5/16-18 X 3/4 SST       | 6    |
| 7        | 100740   | HEX HEAD,5/16-18 X 1 SST         | 4    |
| 8        | 101939   | NIPPLE,TOE,2"NPT X 11" LG.,GALV  | 1    |
| 9        | 101944   | NIPPLE,2"NPT X 12 1/2" LG.,GALV  | 1    |
| 10       | 102376   | WASHER,FLAT,5/16x3/4x.06 SST     | 4    |
| 11       | 106013   | WASHER,LOCK,5/16 SPLIT,SST       | 2    |
| 12       | 106026   | WASHER,FLAT,1/4x5/8x.06 SST      | 6    |
| 13       | 107967   | HEX GRIP NUT,1/4-20 SST W/NYLON  | 1    |
| 14       | 108345   | GASKET,HEATER/STANDPIPE          | 2    |
| 15       | 114185   | GRIP,DRAIN HANDLE                | 1    |
| 16       | 304816   | STRAINER,DRAIN                   | 1    |
| 17       | 305840   | OVERFLOW WELDMENT, 9.50 UC       | 1    |
| 18       | 310259   | BRACKET, DRAIN LINE SUPPORT,UC'S | 2    |
| 19       | 329677   | SUPPORT BRACKET,DRAIN HANDLE     | 1    |
| 20       | 601819   | DRAIN SUB-ASSY,PW,2" TRUNK EUCCW | 1    |
| ---      | 601838   | DRAIN SUB-ASSY,PW,2" TRUNK EUCC  | 1    |



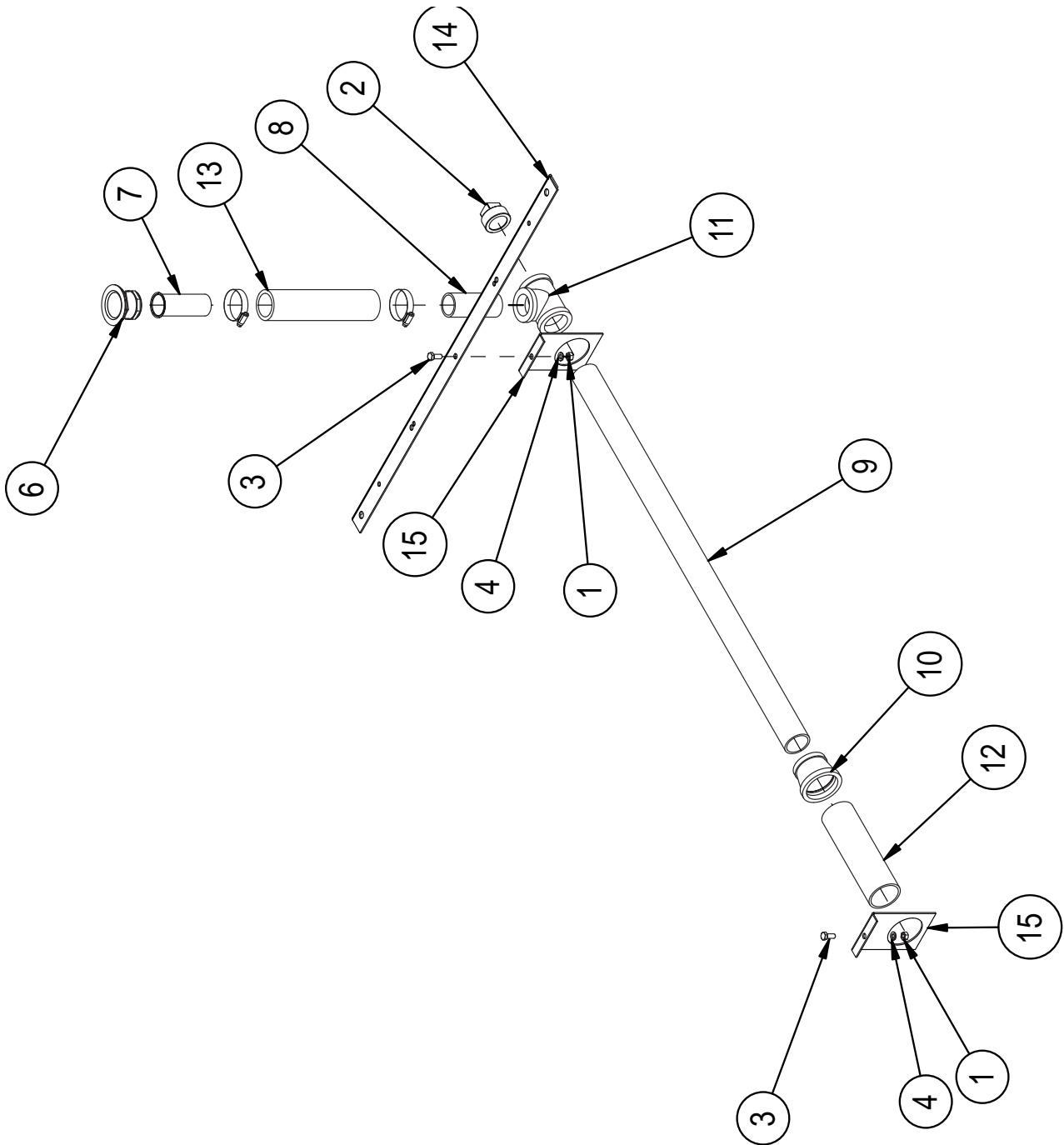
| Item No. | Part No. | Description                        | Qty. |
|----------|----------|------------------------------------|------|
| 1        | 100110   | WELD-STUD,1/4-20 X 3/4 LG.SST      | 1    |
| 2        | 100141   | HEX GRIP NUT,1/4-20 SST,CTR LOCK   | 1    |
| 3        | 100154   | HEX PLAIN NUT,5/16-18 SST          | 2    |
| 4        | 100161   | ELBOW,2"NPT X 90,GALVANIZED        | 1    |
| 5        | 100735   | HEX HEAD,1/4-20 X 5/8 SST          | 1    |
| 6        | 100739   | HEX HEAD,5/16-18 X 3/4 SST         | 6    |
| 7        | 100740   | HEX HEAD,5/16-18 X 1 SST           | 4    |
| 8        | 101954   | NIPPLE,2"NPT X 21 1/2" LG.,GALV    | 1    |
| 9        | 102376   | WASHER,FLAT,5/16x3/4x.06 SST       | 4    |
| 10       | 106013   | WASHER,LOCK,5/16 SPLIT,SST         | 2    |
| 11       | 106026   | WASHER,FLAT,1/4x5/8x.06 SST        | 6    |
| 12       | 107967   | HEX GRIP NUT,1/4-20 SST W/NYLON    | 1    |
| 13       | 108345   | GASKET,HEATER/STANDPIPE            | 2    |
| 14       | 114185   | GRIP,DRAIN HANDLE                  | 1    |
| 15       | 114198   | NIPPLE,TOE,2"NPT X 2 1/2" LG.,GALV | 1    |
| 16       | 304816   | STRAINER,DRAIN                     | 1    |
| 17       | 305840   | OVERFLOW WELDMENT, 9.50 UC         | 1    |
| 18       | 310259   | BRACKET, DRAIN LINE SUPPORT,UC'S   | 2    |
| 19       | 329677   | SUPPORT BRACKET,DRAIN HANDLE       | 1    |
| 20       | 601819   | DRAIN SUB-ASSY,PW,2" TRUNK EUCCW   | 1    |
| ---      | 601838   | DRAIN SUB-ASSY,PW,2" TRUNK EUCC    | 1    |



| Item No. | Part No. | Description                         | Qty. |
|----------|----------|-------------------------------------|------|
| 1        | 100110   | WELD-STUD,1/4-20 X 3/4 LG.SST       | 1    |
| 2        | 100141   | HEX GRIP NUT,1/4-20 SST,CTR LOCK    | 1    |
| 3        | 100154   | HEX PLAIN NUT,5/16-18 SST           | 4    |
| 4        | 100735   | HEX HEAD,1/4-20 X 5/8 SST           | 1    |
| 5        | 100739   | HEX HEAD,5/16-18 X 3/4 SST          | 8    |
| 6        | 102376   | WASHER,FLAT,5/16x3/4x.06 SST        | 4    |
| 7        | 104165   | CLAMP,HOSE,M40,52/76,SST GEAR TYPE  | 4    |
| 8        | 106013   | WASHER,LOCK,5/16 SPLIT,SST          | 4    |
| 9        | 106026   | WASHER,FLAT,1/4x5/8x.06 SST         | 2    |
| 10       | 106631   | NIPPLE,TOE,2"NPT X 12 3/4" LG.,GALV | 1    |
| 11       | 107967   | HEX GRIP NUT,1/4-20 SST W/NYLON     | 1    |
| 12       | 108345   | GASKET,HEATER/STANDPIPE             | 1    |
| 13       | 114101   | NIPPLE,TOE,2"NPT X 30 1/2" LG.,GALV | 1    |
| 14       | 114185   | GRIP,DRAIN HANDLE                   | 1    |
| 15       | 202073   | HOSE,2.375 ID X 6.000 LG.EPDM       | 2    |
| 16       | 304816   | STRAINER,DRAIN                      | 1    |
| 17       | 310259   | BRACKET, DRAIN LINE SUPPORT,UC'S    | 2    |
| 18       | 329130   | GUARD, DRAIN VALVE                  | 1    |
| 19       | 329677   | SUPPORT BRACKET,DRAIN HANDLE        | 1    |
| 20       | 601820   | DRAIN SUB-ASSY,W/R,2" TRUNK EUCCW   | 1    |
| ---      | 601839   | DRAIN SUB-ASSY,W/R,2" TRUNK EUCC    | 1    |



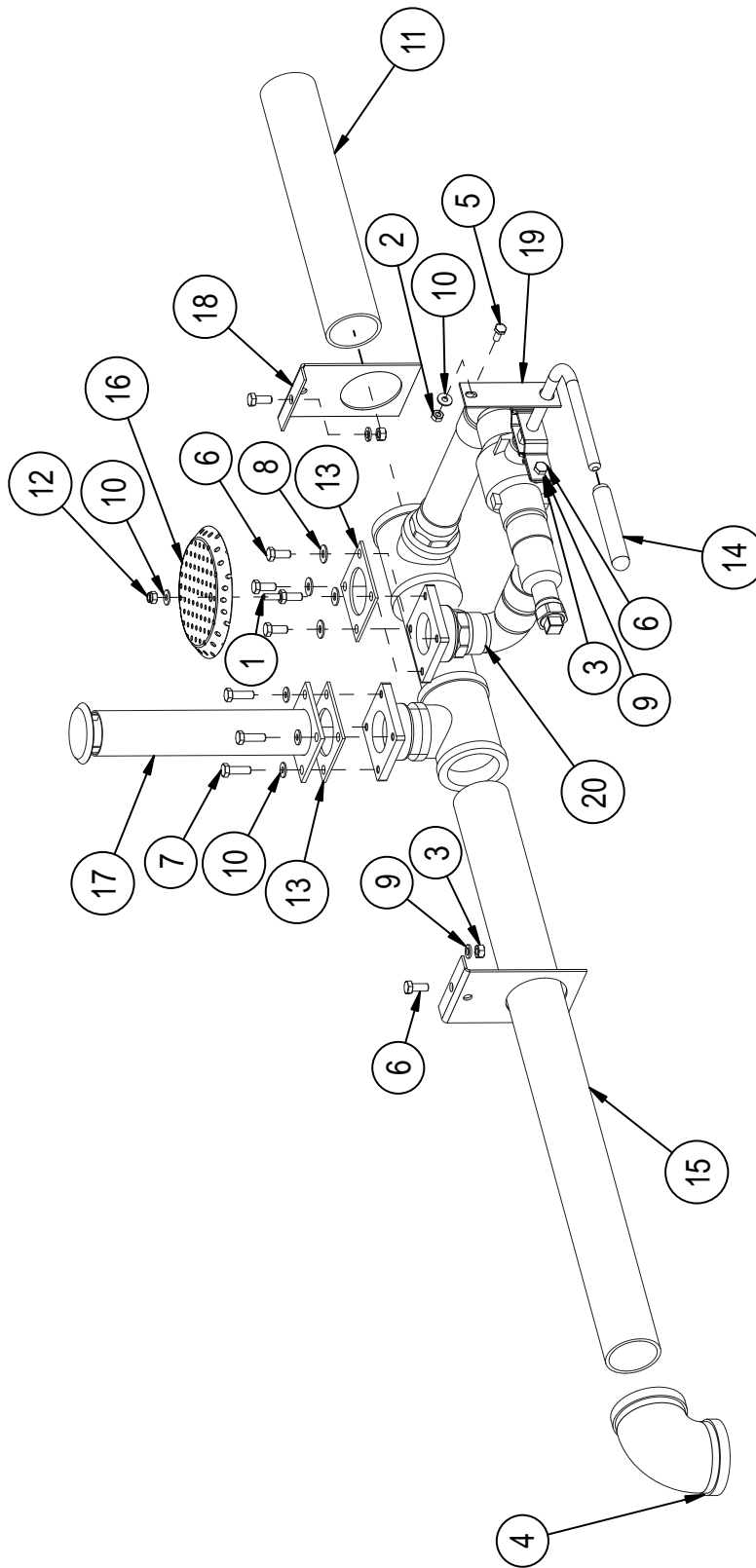
| Item No. | Part No. | Description                              | Qty. |
|----------|----------|--|------|
| 1        | 100110   | WELD-STUD,1/4-20 X 3/4 LG.SST            | 1    |
| 2        | 100141   | HEX GRIP NUT,1/4-20 SST,CTR LOCK         | 1    |
| 3        | 100154   | HEX PLAIN NUT,5/16-18 SST                | 4    |
| 4        | 100735   | HEX HEAD,1/4-20 X 5/8 SST                | 1    |
| 5        | 100736   | HEX HEAD,1/4-20 X 3/4 SST                | 4    |
| 6        | 100739   | HEX HEAD,5/16-18 X 3/4 SST               | 4    |
| 7        | 102376   | WASHER,FLAT,5/16x3/4x.06 SST             | 4    |
| 8        | 104165   | CLAMP,HOSE,M40,52/76,SST GEAR TYPE       | 2    |
| 9        | 106013   | WASHER,LOCK,5/16 SPLIT,SST               | 4    |
| 10       | 106026   | WASHER,FLAT,1/4x5/8x.06 SST              | 2    |
| 11       | 107967   | HEX GRIP NUT,1/4-20 SST W/NYLON          | 1    |
| 12       | 108345   | GASKET,HEATER/STANDPIPE                  | 1    |
| 13       | 111903   | NIPPLE,TOE,2"NPT X 2" LG.,GALV           | 1    |
| 14       | 114106   | NIPPLE,TOE,2"NPT X 18" LG.,GALV          | 1    |
| 15       | 114185   | GRIP,DRAIN HANDLE                        | 1    |
| 16       | 202073   | HOSE,2.375 ID X 6.000 LG.EPDM            | 1    |
| 17       | 304816   | STRAINER,DRAIN                           | 1    |
| 18       | 310259   | BRACKET, DRAIN LINE SUPPORT,UC'S         | 2    |
| 19       | 329130   | GUARD, DRAIN VALVE                       | 1    |
| 20       | 329677   | SUPPORT BRACKET,DRAIN HANDLE             | 1    |
| 21       | 601821   | DRAIN SUB-ASSY,ECO-RINSE, 2" TRUNK EUCCW | 1    |
| --       | 601840   | DRAIN SUB-ASSY,ECO-RINSE, 2" TRUNK EUCC  | 1    |



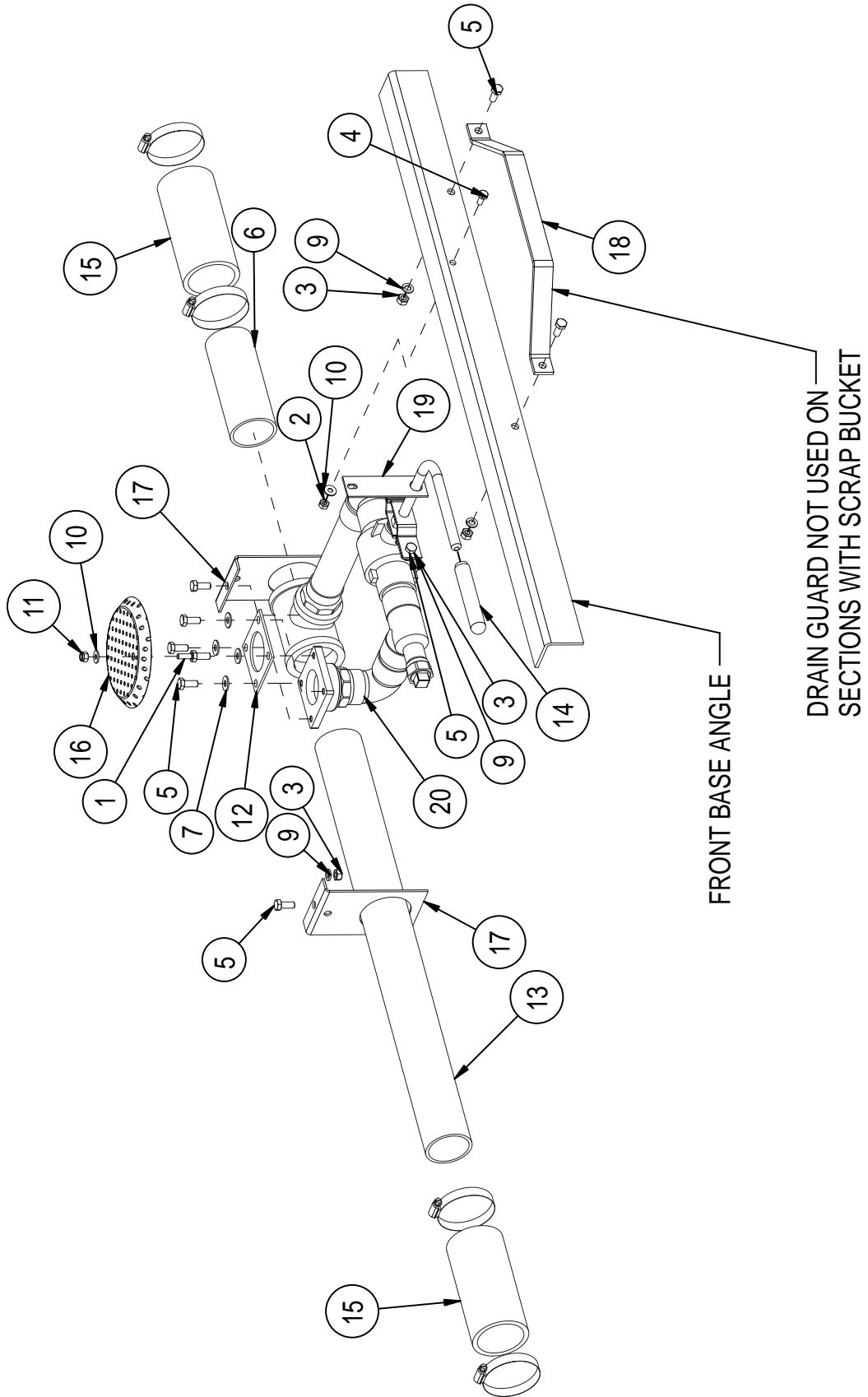
| Item No. | Part No. | Description                                | Qty. |
|----------|----------|--|------|
| 1        | 100154   | HEX PLAIN NUT,5/16-18 SST                  | 2    |
| 2        | 100587   | PLUG,1 1/2"NPT SQ.HEAD,B.I.                | 1    |
| 3        | 100739   | CAP SCREW,HEX HEAD,5/16-18 X 3/4 SST       | 2    |
| 4        | 106013   | WASHER,LOCK,5/16 SPLIT,SST                 | 2    |
| 5        | 107340   | CLAMP,HOSE,M28,33/57,SST GEAR TYPE         | 2    |
| 6        | 107342   | DRAIN BASKET ASSY,DUO B02-050              | 1    |
| 7        | 107473   | DRAIN TAILPIECE RINSE                      | 1    |
| 8        | 109184   | NIPPLE,TOE,1 1/4"NPT X 4" LG.,GALV         | 1    |
| 9        | 109189   | NIPPLE,TOE,1 1/2"NPT X 36" LG.,GALV        | 1    |
| 10       | 111245   | COUPLING RED 2"NPT X 1 1/2"NPT,GALV        | 1    |
| 11       | 114216   | TEE,1 1/2"NPT X 1 1/2"NPT X 1 1/4"NPT,GALV | 1    |
| 12       | 114217   | NIPPLE,TOE,2"NPT X 8" LG.,GALV             | 1    |
| 13       | 114219   | HOSE,1.625 ID X 9.000 LG.EPDM              | 1    |
| 14       | 206668   | ANGLE,ELECTRIC BOOSTER SUPPORT EUCCW       | 1    |
| ---      | 206689   | ANGLE,ELECTRIC BOOSTER SUPPORT EUCC        | 1    |
| 15       | 310259   | BRACKET, DRAIN LINE SUPPORT,UC'S           | 2    |



| Item No. | Part No. | Description                         | Qty. |
|----------|----------|-------------------------------------|------|
| 1        | 100110   | WELD-STUD,1/4-20 X 3/4 LG.SST       | 1    |
| 2        | 100141   | HEX GRIP NUT,1/4-20 SST,CTR LOCK    | 1    |
| 3        | 100154   | HEX PLAIN NUT,5/16-18 SST           | 2    |
| 4        | 100161   | ELBOW,2"NPT X 90,GALVANIZED         | 1    |
| 5        | 100735   | HEX HEAD,1/4-20 X 5/8 SST           | 1    |
| 6        | 100739   | HEX HEAD,5/16-18 X 3/4 SST          | 6    |
| 7        | 100740   | HEX HEAD,5/16-18 X 1 SST            | 4    |
| 8        | 101956   | NIPPLE,TOE,2"NPT X 21 3/4" LG.,GALV | 1    |
| 9        | 102376   | WASHER,FLAT,5/16 x 3/4 x .06 SST    | 4    |
| 10       | 106013   | WASHER,LOCK,5/16 SPLIT,SST          | 2    |
| 11       | 106026   | WASHER,FLAT,1/4x5/8x.06 SST         | 6    |
| 12       | 107967   | HEX GRIP NUT,1/4-20 SST W/NYLON     | 1    |
| 13       | 108345   | GASKET,HEATER/STANDPIPE             | 2    |
| 14       | 114185   | GRIP,DRAIN HANDLE                   | 1    |
| 15       | 114253   | NIPPLE,2"NPT X 20 1/2" LG.,GALV     | 1    |
| 16       | 304816   | STRAINER,DRAIN                      | 1    |
| 17       | 305840   | OVERFLOW WELDMENT, 9.50 UC          | 1    |
| 18       | 310259   | BRACKET, DRAIN LINE SUPPORT,UC'S    | 2    |
| 19       | 329677   | SUPPORT BRACKET,DRAIN HANDLE        | 1    |
| 20       | 601819   | DRAIN SUB-ASSY,PW,2" TRUNK EUCCW    | 1    |
| ---      | 601838   | DRAIN SUB-ASSY,PW,2" TRUNK EUCC     | 1    |

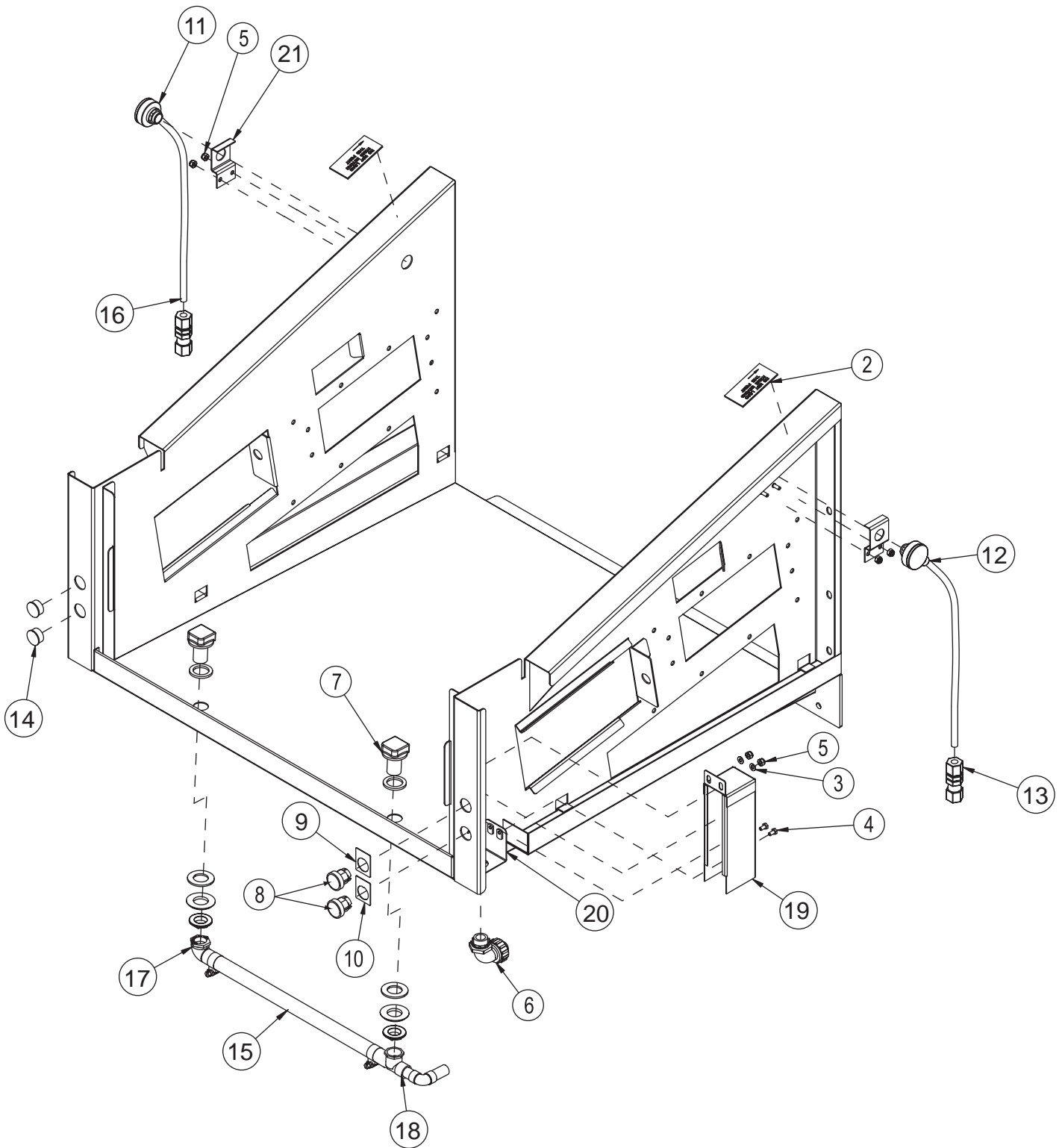


| Item No. | Part No. | Description                         | Qty. |
|----------|----------|-------------------------------------|------|
| 1        | 100110   | WELD-STUD,1/4-20 X 3/4 LG.SST       | 1    |
| 2        | 100141   | HEX GRIP NUT,1/4-20 SST,CTR LOCK    | 1    |
| 3        | 100154   | HEX PLAIN NUT,5/16-18 SST           | 2    |
| 4        | 100161   | ELBOW,2"NPT X 90,GALVANIZED         | 1    |
| 5        | 100735   | HEX HEAD,1/4-20 X 5/8 SST           | 1    |
| 6        | 100739   | HEX HEAD,5/16-18 X 3/4 SST          | 6    |
| 7        | 100740   | HEX HEAD,5/16-18 X 1 SST            | 4    |
| 8        | 102376   | WASHER,FLAT,5/16x3/4x.06 SST        | 4    |
| 9        | 106013   | WASHER,LOCK,5/16 SPLIT,SST          | 2    |
| 10       | 106026   | WASHER,FLAT,1/4x5/8x.06 SST         | 6    |
| 11       | 106631   | NIPPLE,TOE,2"NPT X 12 3/4" LG.,GALV | 1    |
| 12       | 107967   | HEX GRIP NUT,1/4-20 SST W/NYLON     | 1    |
| 13       | 108345   | GASKET,HEATER/STANDPIPE             | 2    |
| 14       | 114185   | GRIP,DRAIN HANDLE                   | 1    |
| 15       | 114252   | NIPPLE,2"NPT X 29 1/2" LG.,GALV     | 1    |
| 16       | 304816   | STRAINER,DRAIN                      | 1    |
| 17       | 305840   | OVERFLOW WELDMENT, 9.50 UC          | 1    |
| 18       | 310259   | BRACKET, DRAIN LINE SUPPORT,UC'S    | 2    |
| 19       | 329677   | SUPPORT BRACKET,DRAIN HANDLE        | 1    |
| 20       | 601819   | DRAIN SUB-ASSY,PW,2" TRUNK EUCCW    | 1    |
| ---      | 601838   | DRAIN SUB-ASSY,PW,2" TRUNK EUCC     | 1    |



| Item No. | Part No. | Description                         | Qty. |
|----------|----------|-------------------------------------|------|
| 1        | 100110   | WELD-STUD,1/4-20 X 3/4 LG.SST       | 1    |
| 2        | 100141   | HEX GRIP NUT,1/4-20 SST,CTR LOCK    | 1    |
| 3        | 100154   | HEX PLAIN NUT,5/16-18 SST           | 4    |
| 4        | 100735   | HEX HEAD,1/4-20 X 5/8 SST           | 1    |
| 5        | 100739   | HEX HEAD,5/16-18 X 3/4 SST          | 8    |
| 6        | 101920   | NIPPLE,TOE,2"NPT X 5 3/4" LG.,GALV  | 1    |
| 7        | 102376   | WASHER,FLAT,5/16 x 3/4 x .06 SST    | 4    |
| 8        | 104165   | CLAMP,HOSE,M40,52/76,SST GEAR TYPE  | 4    |
| 9        | 106013   | WASHER,LOCK,5/16 SPLIT,SST          | 4    |
| 10       | 106026   | WASHER,FLAT,1/4 x 5/8 x .06 SST     | 2    |
| 11       | 107967   | HEX GRIP NUT,1/4-20 SST W/NYLON     | 1    |
| 12       | 108345   | GASKET,HEATER/STANDPIPE             | 1    |
| 13       | 114176   | NIPPLE,TOE,2"NPT X 25 1/2" LG.,GALV | 1    |
| 14       | 114185   | GRIP,DRAIN HANDLE                   | 1    |
| 15       | 202073   | HOSE,2.375 ID X 6.000 LG.EPDM       | 2    |
| 16       | 304816   | STRAINER,DRAIN                      | 1    |
| 17       | 310259   | BRACKET, DRAIN LINE SUPPORT,UC'S    | 2    |
| 18       | 329130   | GUARD, DRAIN VALVE                  | 1    |
| 19       | 329677   | SUPPORT BRACKET,DRAIN HANDLE        | 1    |
| 20       | 601820   | DRAIN SUB-ASSY,W/R,2" TRUNK EUCCW   | 1    |
| ---      | 601839   | DRAIN SUB-ASSY,W/R,2" TRUNK EUCC    | 1    |

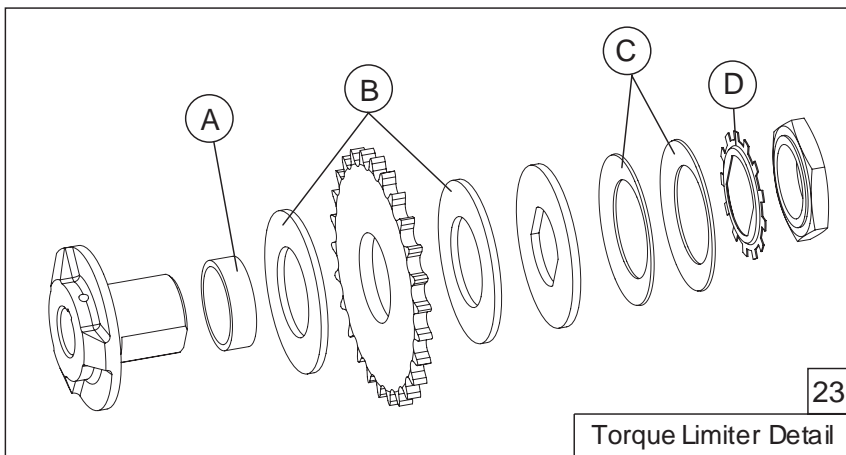
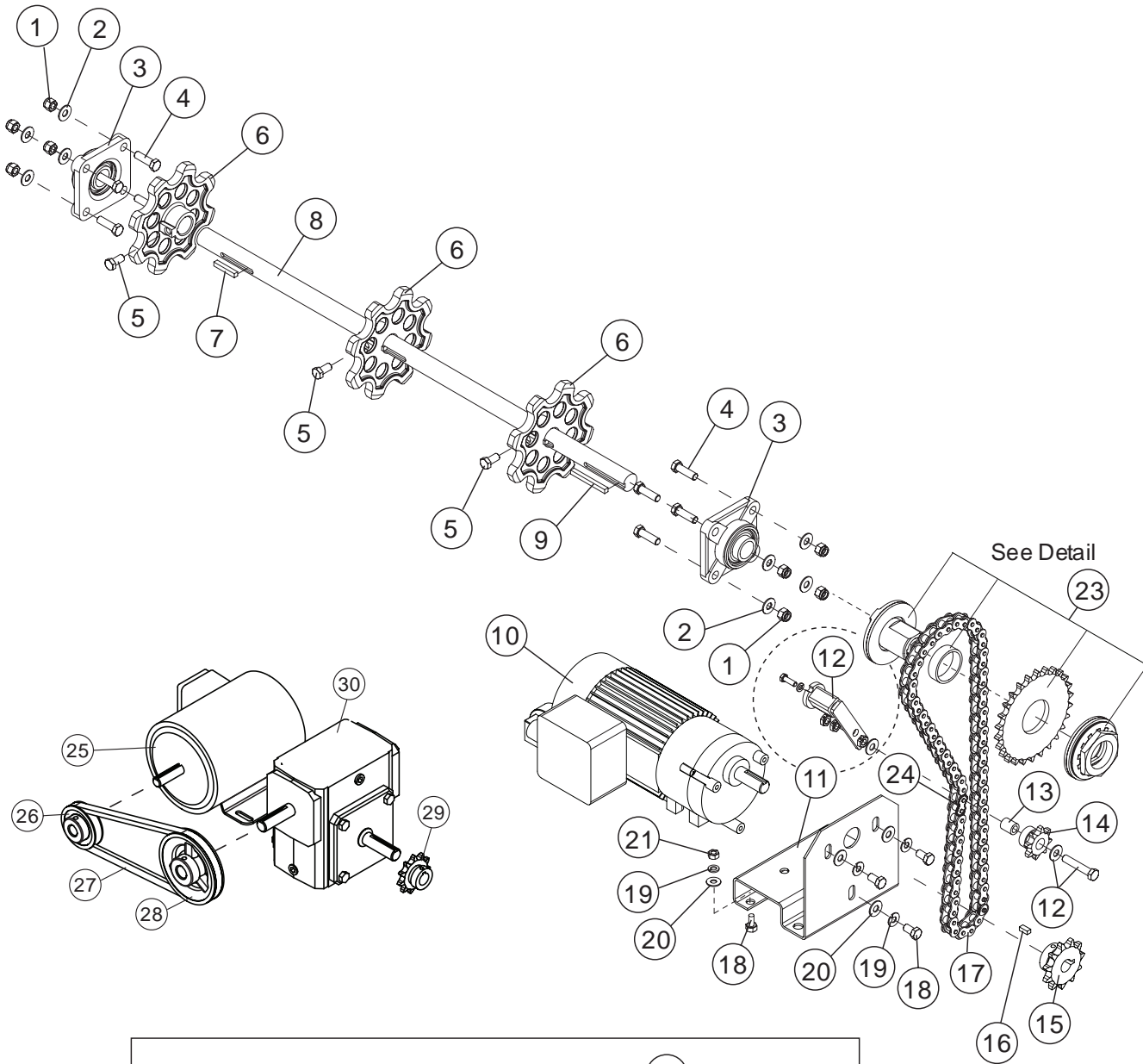
Electric Eyes, Start-Stop Station, Flushing Nozzles



*Electric Eyes, Start-Stop Station, Flushing Nozzles*

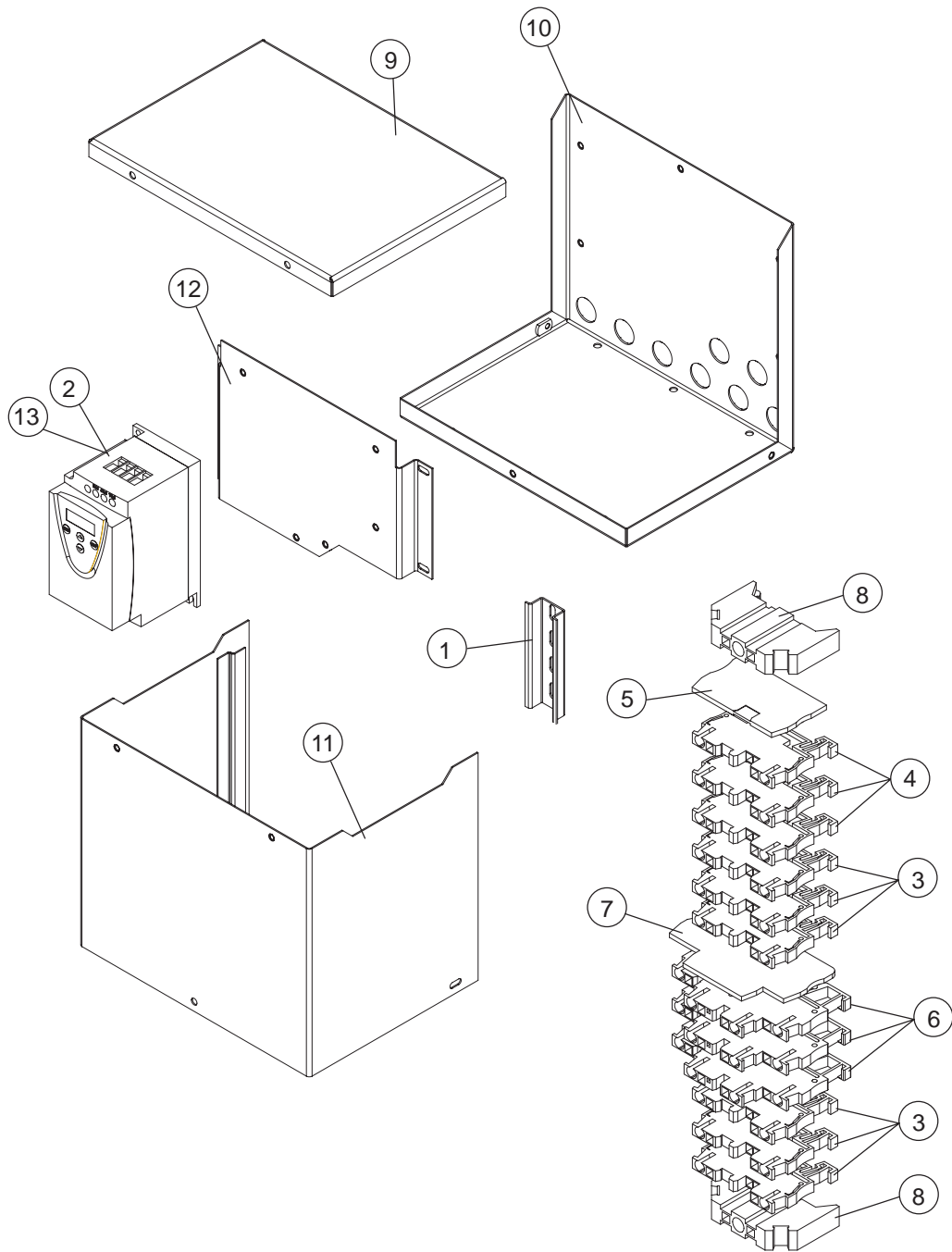
| Item No. | Part No. | Description                           | Qty. |
|----------|----------|---------------------------------------|------|
| 1        | 105994   | CLAMP, HOSE GEAR-TYPE                 | 2    |
| 2        | 107003   | LOAD PLACARD, ELECTRIC EYE            | 2    |
| 3        | 107033   | WASHER, FLAT SST                      | 4    |
| 4        | 107136   | SCREW, HEX HD. 10-32 X 3/8' SST       | 2    |
| 5        | 107966   | HEX GRIP NUT, 10-32 SST W/NYLON       | 8    |
| 6        | 110837   | ELBOW, 1/2" CONDUIT, SEALTITE         | 1    |
| 7        | 111325   | NOZZLE, FLUSHING POLISHED CHROME      | 2    |
| 8        | 0512213  | SWITCH, PIEZO 22MM STAINLESS          | 2    |
| 9        | 112822   | NAMPLATE, START                       | 1    |
| 10       | 112823   | NAMEPLATE, STOP                       | 1    |
| 11       | 112241   | ELECTRIC EYE EMITTER, UC MACHINE      | 1    |
| 12       | 112242   | ELECTRIC EYE RECEIVER, UC MACHINE     | 1    |
| 13       | 112245   | UNION BULKHEAD, 3/8" OD PLASTIC       | 2    |
| 14       | 112519   | PLUG, SNAP                            | 2    |
| 15       | 205193   | HOSE, 5/8" ID X 15-1/4" LG. CLEAR     | 2    |
| 16       | 205907   | TUBE, 3/8" OD X 19" LG. POLYPROPYLENE | 2    |
| 17       | 309709   | ELBOW, WELD FLUSHING                  | 1    |
| 18       | 309711   | TEE & ELBOW WELD, FLUSHING            | 1    |
| 19       | 330022   | COVER, WELD START/STOP STATION        | 1    |
| 20       | 330024   | BRACKET, WELDMENT START/STOP          | 1    |
| 21       | 330120   | BRACKET, ELECTRIC EYE MOUNTING        | 2    |

Drive Shaft Assembly



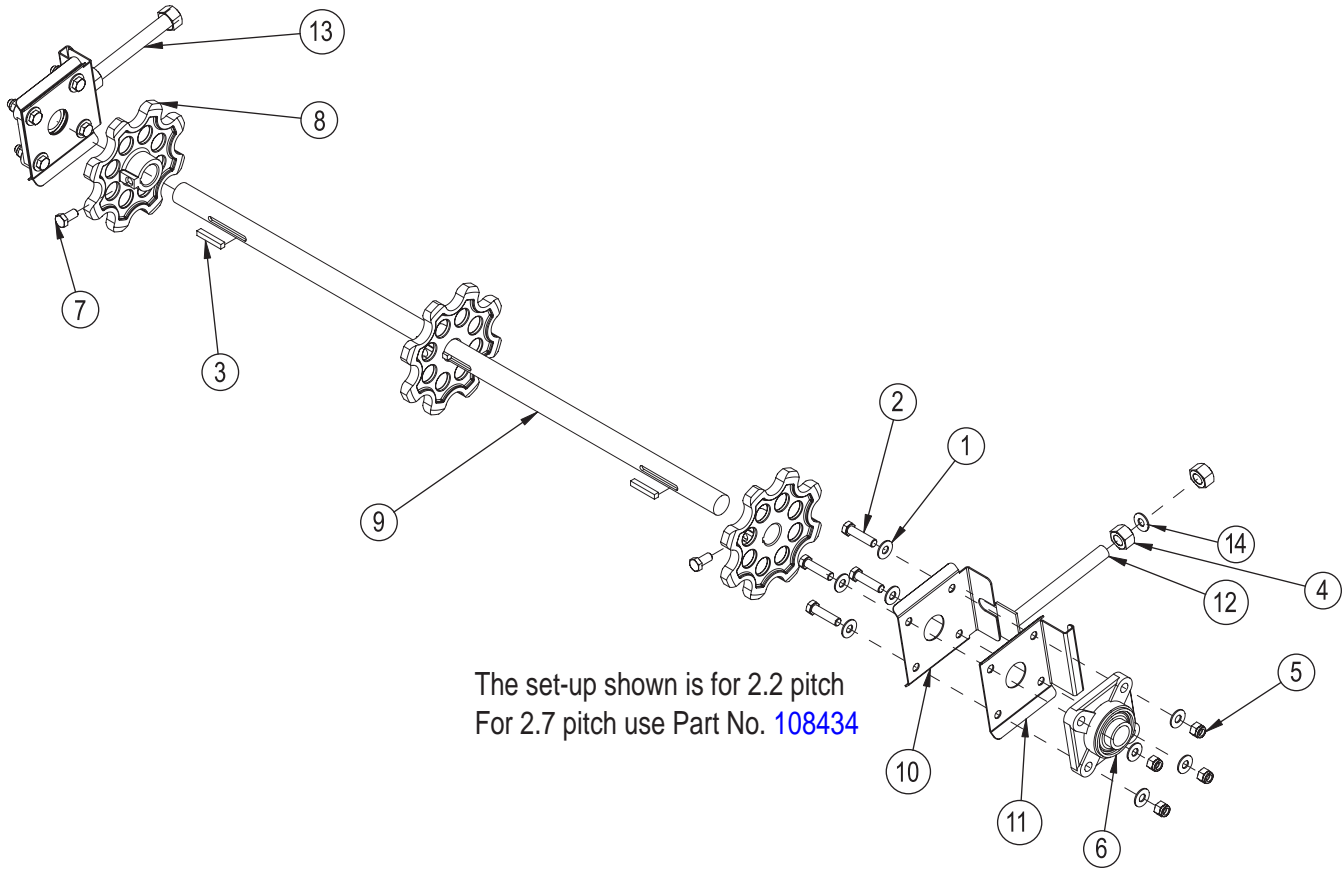
| Item No. | Part No. | Description                                      | Qty. |
|----------|----------|--|------|
| 1        | 109010   | HEX GRIP NUT, 3/8-16 SST W/NYLON                 | 8    |
| 2        | 104618   | WASHER FLAT, 3/8" SST                            | 8    |
| 3        | 109958   | BEARING, 4-BOLT 1" UC DRIVE                      | 2    |
| 4        | 100746   | BOLT, HEX HD., 3/8-16 X 1-1/4" SST               | 8    |
| 5        | 111480   | BOLT, HEX HD., 3/8-16 X 3/4" SST W/LOCTITE       | 3    |
| 6        | 113970   | SPROCKET, UC CONVEYOR DRIVE                      | 3    |
| 7        | 107305   | KEY, 1/4" X 1/4" X 1-1/2" LG. SST                | 3    |
| 8        | 330011   | SHAFT, DRIVE EUCCW                               | 1    |
| ---      | 206682   | SHAFT, DRIVE EUCC                                | 1    |
| 9        | 106679   | KEY, 1/4" X 1/4" X 2-1/2" LG. SST                | 1    |
| 10       | 114484   | MOTOR, GEAR 230V/3                               | 1    |
| ---      | 114597   | MOTOR, GEAR 480V/3                               | 1    |
| 11       | 332979   | BRACKET, MOTOR MOUNTING                          | 1    |
| 12       | 110076   | TENSION ARM ASSY                                 | 1    |
| 13       | 104265   | BUSHING, 3/4" X 3/4" X 3/4" LG. BRONZE           | 1    |
| 14       | 106521   | SPROCKET, 50B8, 5/8" BORE W/KEY                  | 1    |
| 15       | 114639   | SPROCKET, 50B11T, 3/16" KEY                      | 1    |
| 16       | 106619   | KEY, 3/16" X 3/16" X 1" LG. SST                  | 1    |
| 17       | 206959   | CHAIN, #50                                       | 1    |
| 18       | 100740   | BOLT, HEX HD., 5/16-18 X 1" SST                  | 7    |
| 19       | 106013   | WASHER, LOCK 5/16" SPLIT SST                     | 7    |
| 20       | 102376   | WASHER, FLAT 5/16" SST                           | 7    |
| 21       | 100154   | HEX PLAIN NUT, 5/16-18 SST                       | 7    |
| 22       | 101149   | LINK, CONNECTING #50                             | 1    |
| 23       | 100485   | TORQUE LIMITER ASSY. (Includes A-D below)        | 1    |
| 24       | 101153   | LINK, OFFSET #50                                 | 1    |
| 25       | 107183   | MOTOR, 1/2 HP, DRIVE MV 3 PH (For S/N J09072662) | 1    |
| 26       | 113688   | SHEAVE (For S/N J09072662)                       | 1    |
| 27       | 100792   | BELT, BRIVE (For S/N J09072662)                  | 1    |
| 28       | 100444   | SHEAVE (For S/N J09072662)                       | 1    |
| 29       | 105285   | GEAR (For S/N J09072662)                         | 1    |
| 30       | 110300   | GEARBOX (For S/N J09072662)                      | 1    |
| A        | 104271   | BUSHING  | 1    |
| B        | 102315   | DISC, FRICTION                                   | 2    |
| C        | 108095   | WASHER, SPRING                                   | 2    |
| D        | 107700   | WASHER, LOCK                                     | 1    |

Drive Inverter Control Box



| Item No. | Part No. | Description                                     | Qty. |
|----------|----------|---|------|
| 1        | 113769-4 | DIN RAIL, 35MM X 15MM                           | 1    |
| 2        | 114499   | INVERTER, DRIVE, 1/2HP 200/230VAC               | 1    |
| 3        | 114512   | TERMINAL, SINGLE, ST 2.5, (GRAY)                | 6    |
| 4        | 114514   | TERMINAL, SINGLE, ST 2.5, (WHITE)               | 3    |
| 5        | 114516   | END COVER, SINGLE TERMINAL, D-ST 2.5            | 1    |
| 6        | 114517   | TERMINAL, DOUBLE, STTB 2.5                      | 3    |
| 7        | 114518   | END COVER, DOUBLE TERMINAL, D-STTB 2.5          | 1    |
| 8        | 114519   | END BLOCK, E/NS 35 N                            | 2    |
| 9        | 332653   | COVER, DRIVE INVERTER BOX                       | 1    |
| 10       | 332655   | BODY, WELDMENT, DRIVE INVERTER BOX              | 1    |
| 11       | 332658   | WRAP WELDMENT, DRIVE INVERTER BOX               | 1    |
| 12       | 332659   | INNER PANEL, WELDMENT, DRIVE INVERTER BOX       | 1    |
| 13       | 114499   | VFD, 1/2 HP, 200-230V/60/3 (Altivar 12)         | 1    |
| ----     | 114500   | VFD, 1/2 HP, 400/460V/60/3 (Altivar 31 and 312) | 1    |

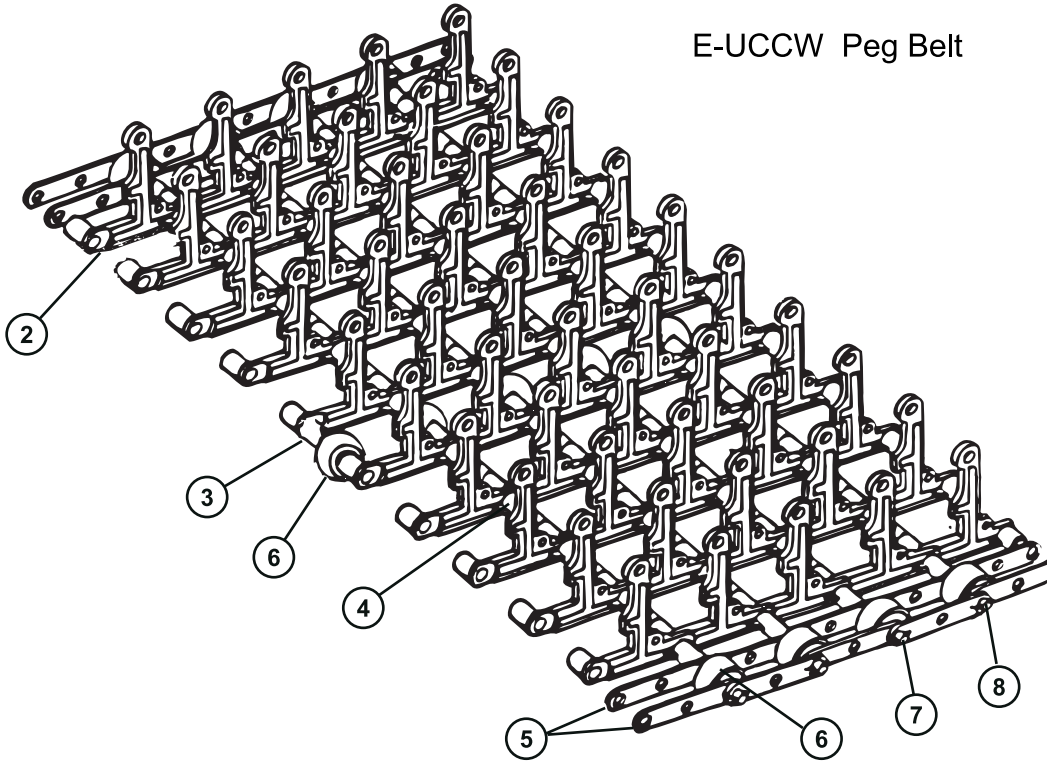
Idle Shaft Assembly



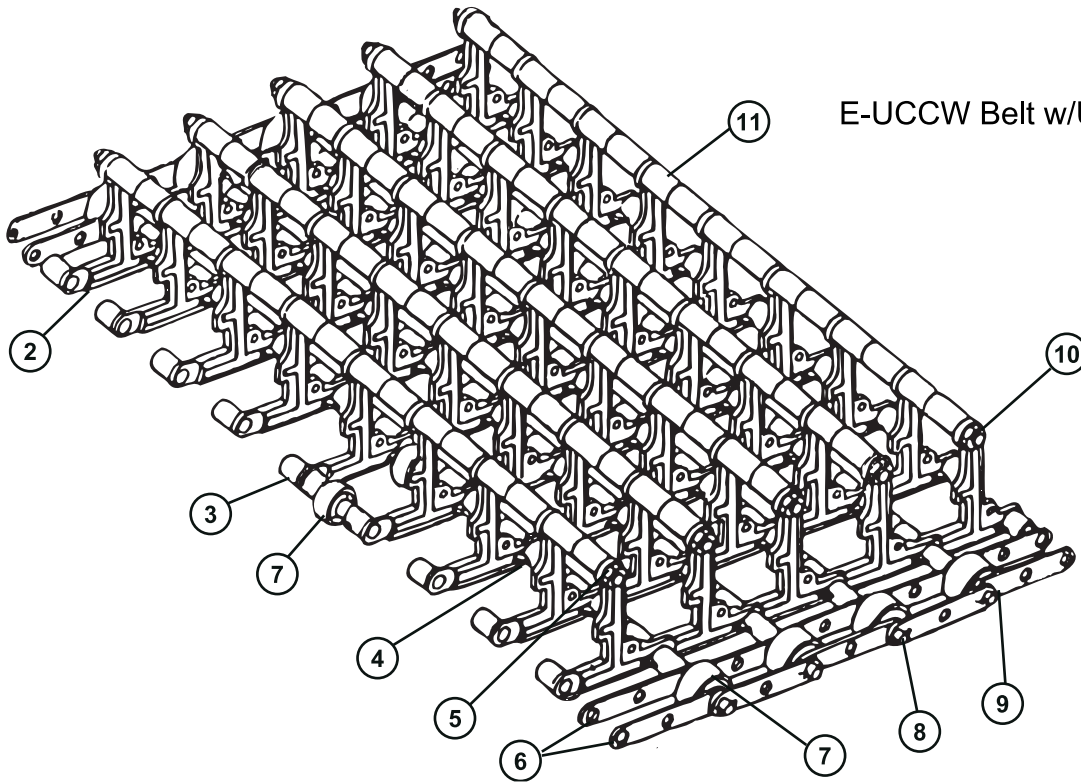
The set-up shown is for 2.2 pitch  
For 2.7 pitch use Part No. [108434](#)

| Item No. | Part No. | Description                                   | Qty. |
|----------|----------|---|------|
| 1        | 104618   | WASHER,FLAT,3/8x7/8x.06 SST                   | 16   |
| 2        | 106022   | CAP SCREW,HEX HEAD,3/8-16 X 1 1/2 SST         | 8    |
| 3        | 107305   | KEY 1/4 X 1/4 X 1 1/2 SST                     | 3    |
| 4        | 107691   | HEX PLAIN NUT,5/8-11 SST                      | 4    |
| 5        | 109010   | HEX GRIP NUT,3/8-16 SST W/NYLON               | 8    |
| 6        | 109958   | BEARING,4 BOLT,1",UC DRIVE                    | 2    |
| 7        | 111480   | CAP SCREW,HEX HEAD,3/8-16 X 3/4 SST,W/LOCTITE | 3    |
| 8        | 113970   | SPROCKET,UC CONVEYOR DRIVE                    | 3    |
| 9        | 206604   | SHAFT,IDLE,EUCCW                              | 1    |
| 10       | 330113   | BRACKET,BEARING,PART 1                        | 2    |
| 11       | 330114   | BRACKET,BEARING,PART 2                        | 2    |
| 12       | 330115   | SCREW WELDMENT,TAKE-UP                        | 2    |
| 13       | 416422   | SCREW ASSY,TAKE-UP                            | 2    |
| 14       | 106393   | WASHER, FLAT                                  | 2    |

E-UCCW Peg Belt

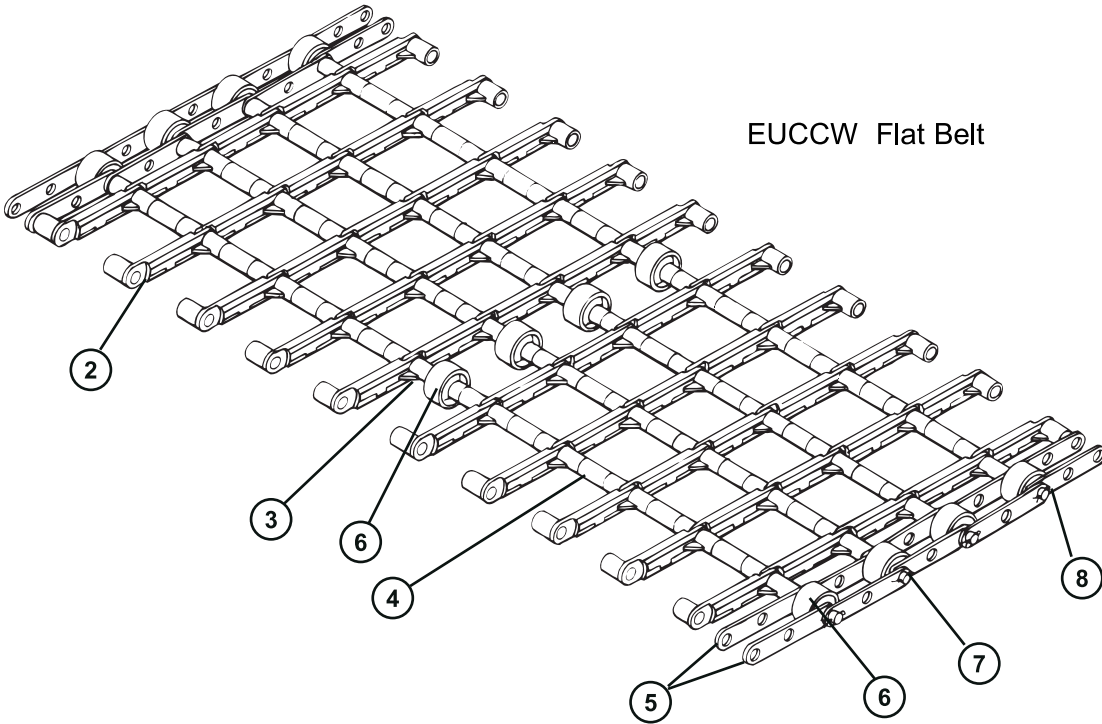


E-UCCW Belt w/Upper rod

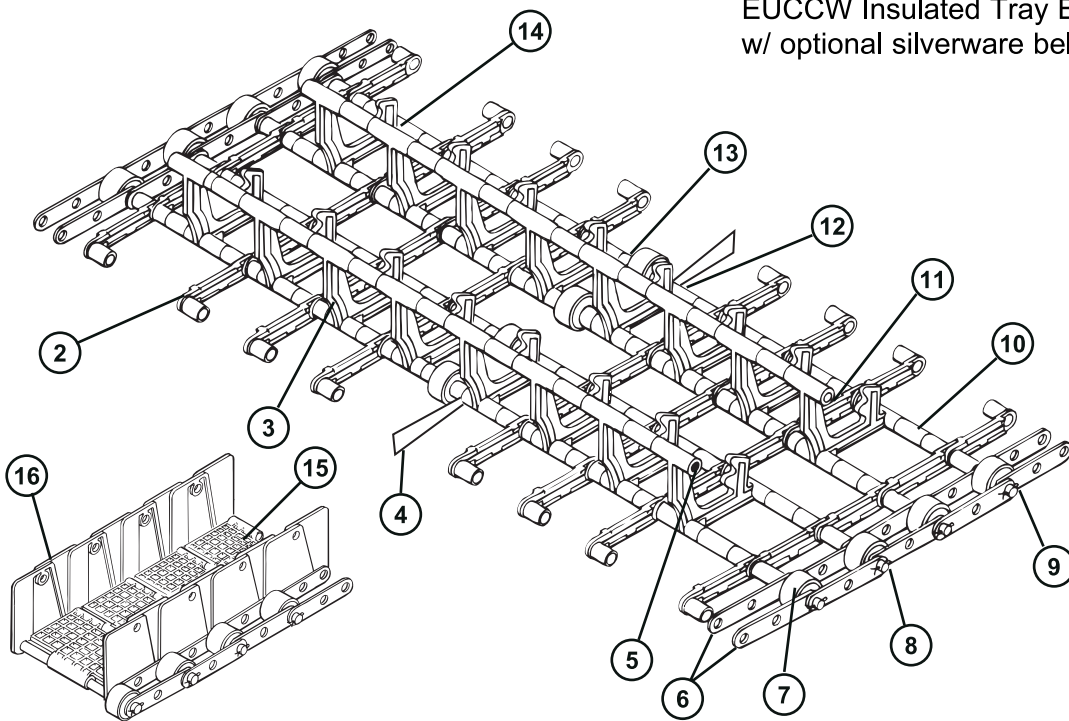


| Item No. | Part No. | Description                                  | Qty. |
|----------|----------|--|------|
| 1        | 404104   | Rod Section, Peg Belt,                       | A/R  |
| 2        | 110092   | Link, Upright                                | 10   |
| 3        | 108378   | Spacer (11/32 x 5/16)                        | 2    |
| 4        | 108438   | Spacer (11/32 x 1-13/32)                     | 8    |
| 5        | 108435   | Link, Straight End, Stainless Steel          | 4    |
| 6        | 114536   | Roller, Plastic                              | 3    |
| 7        | 108875   | Pin, Cotter                                  | 2    |
| 8        | 108381   | Rod, Drilled Stainless Steel (5/16 x 29-1/4) | 1    |

| Item No. | Part No. | Description                                  | Qty. |
|----------|----------|--|------|
| 1        | 404106   | Rod Section, Peg Belt w/ Upper Rod,          | A/R  |
| 2        | 110092   | Link, Upright.                               | 10   |
| 3        | 108378   | Spacer (11/32 x 5/16)                        | 2    |
| 4        | 108438   | Spacer (11/32 x 1-13/32)                     | 8    |
| 5        | 100141   | Nut, Grip (1/4-20 SST)                       | 2    |
| 6        | 108435   | Link, Straight End, Stainless Steel          | 4    |
| 7        | 114536   | Roller, Plastic                              | 3    |
| 8        | 108875   | Pin, Cotter                                  | 2    |
| 9        | 108381   | Rod, Drilled Stainless Steel (5/16 x 29-1/4) | 1    |
| 10       | 202601   | Rod, Threaded Stainless Steel (1/4 x 26)     | 1    |
| 11       | 108439   | Spacer (1/2 x 9/32 x 2-9/16)                 | 9    |



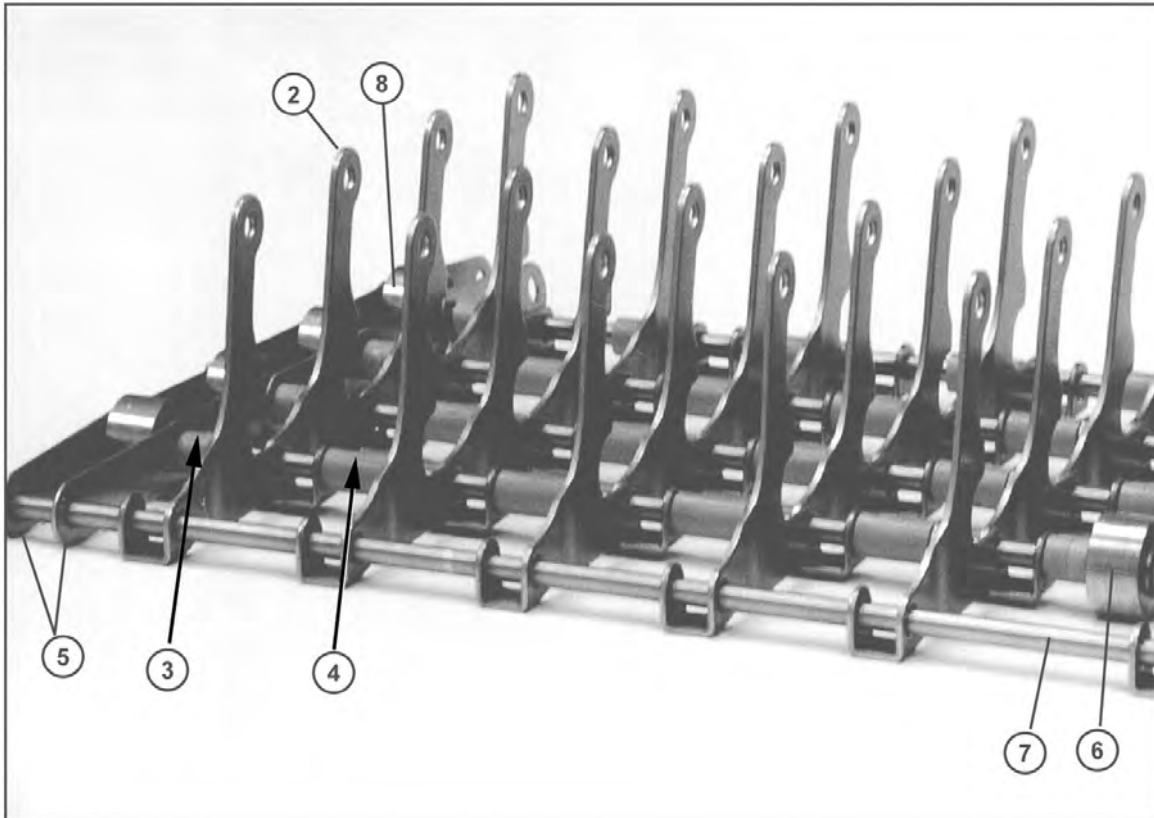
EUCCW Flat Belt



EUCCW Insulated Tray Belt  
w/ optional silverware belt

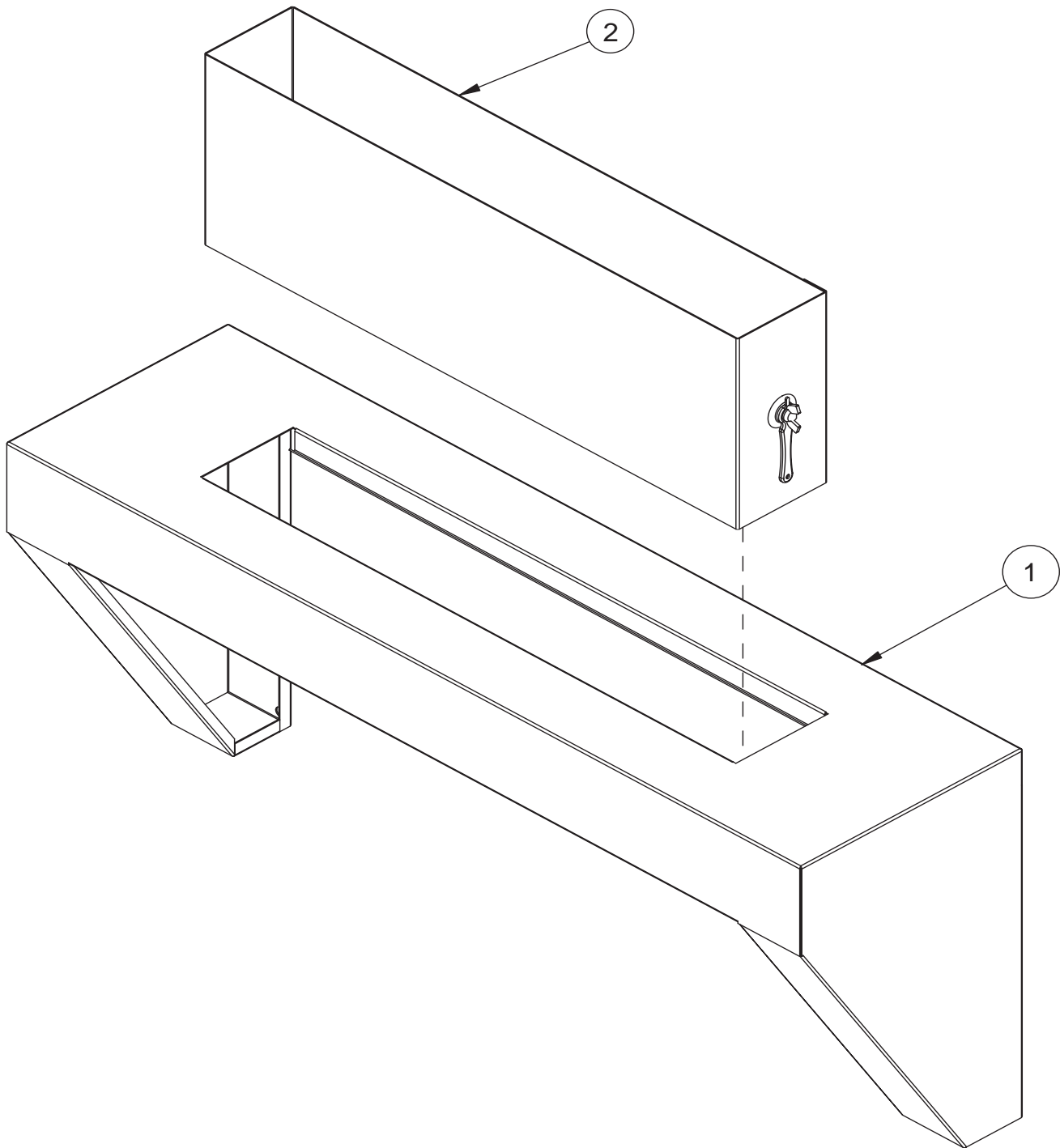
| Item No. | Part No. | Description                                  | Qty. |
|----------|----------|--|------|
| 1        | 402237   | TWO Rod Sections, Flat Belt                  | A/R  |
| 2        | 110094   | Link, Flat                                   | 20   |
| 3        | 108378   | Spacer (11/32 x 5/16)                        | 6    |
| 4        | 108438   | Spacer (11/32 x 1-13/32)                     | 16   |
| 5        | 108435   | Link, Straight End, Stainless Steel          | 8    |
| 6        | 114536   | Roller, Plastic                              | 6    |
| 7        | 108875   | Pin, Cotter                                  | 4    |
| 8        | 108381   | Rod, Drilled Stainless Steel (5/16 x 29-1/4) | 2    |

| Item No. | Part No. | Description                                  | Qty. |
|----------|----------|--|------|
| 1        | 402238   | TWO Rod Sections                             | A/R  |
| 2        | 110094   | Link, Flat                                   | 16   |
| 3        | 109030   | Link, Upright Poly                           | 8    |
| 4        | 204995   | Link, Flat Modified                          | 1    |
| 5        | 100141   | Nut, Grip (1/4-20 SST)                       | 2    |
| 6        | 108435   | Link, Straight End, Stainless Steel          | 8    |
| 7        | 114536   | Roller, Plastic                              | 6    |
| 8        | 108875   | Pin, Cotter                                  | 4    |
| 9        | 108381   | Rod, Drilled Stainless Steel (5/16 x 29-1/4) | 2    |
| 10       | 109282   | Spacer (11/32 x 1-1/32)                      | 4    |
| 11       | 109224   | Rod, Threaded Stainless Steel (1/4 x 22-1/4) | 1    |
| 12       | 102376   | Washer (5/16 x 3/4 x 1/16)                   | 2    |
| 13       | 108378   | Spacer (11/32 x 5/16)                        | 2    |
| 14       | 109187   | Spacer (9/32 x 1-13/32)                      | 7    |
|          |          | SILVERWARE BELT                              |      |
| 15       | 109164   | Link, Flat, Silverware Belt                  | 2    |
| 16       | 109163   | Link, Side, Silverware Belt                  | 4    |

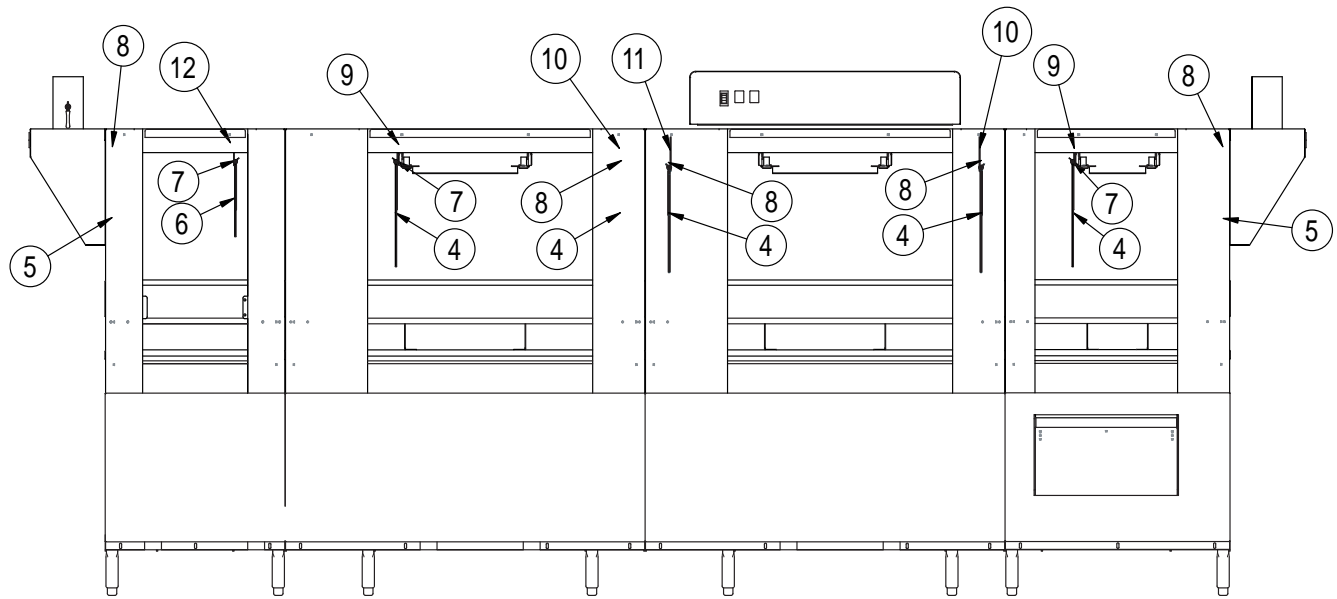


| Item No. | Part No. | Description                                  | Qty. |
|----------|----------|--|------|
| 1        | 408013   | Rod Section, Stainless Steel peg belt        | A/R  |
| 2        | 111421   | Link, Stainless Steel Upright.               | 10   |
| 3        | 109282   | Spacer (11/32 x 1-1/32)                      | 8    |
| 4        | 108378   | Spacer (11/32 x 5/16)                        | 8    |
| 5        | 108435   | Link, Straight End, Stainless Steel          | 4    |
| 6        | 108375   | Roller, Stainless Steel                      | 3    |
| 7        | 108381   | Rod, Drilled Stainless Steel (5/16 x 29-1/4) | 1    |
| 8        | 108875   | Pin, Cotter (Not Shown)                      | 2    |
| —        | 100141   | Nut, Grip (1/4-20 SST)                       | 2    |
| —        | 202601   | Rod, Threaded (1/4 x 26)                     | 1    |

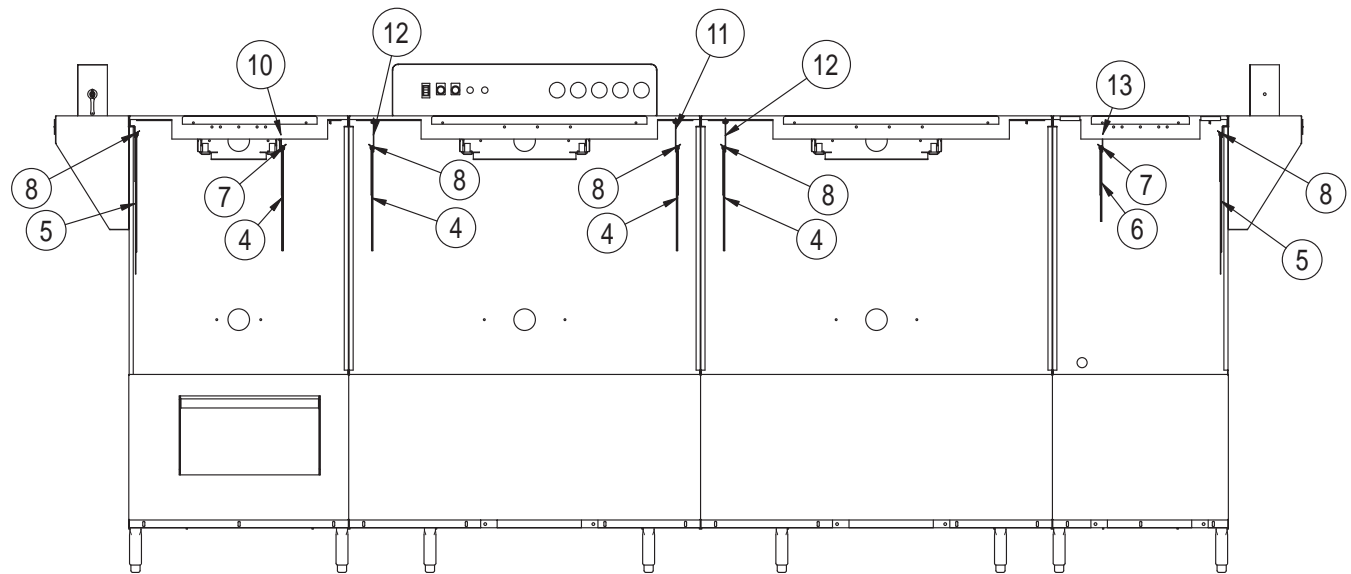
Vent Cowl Installation



| Item No. | Part No. | Description                | Qty. |
|----------|----------|----------------------------|------|
| 1        | 329806   | VENT COWL WELDMENT, UCW-04 | 1    |
| 2        | 401486   | VENT STACK 4 x 24          | 1    |



R-L



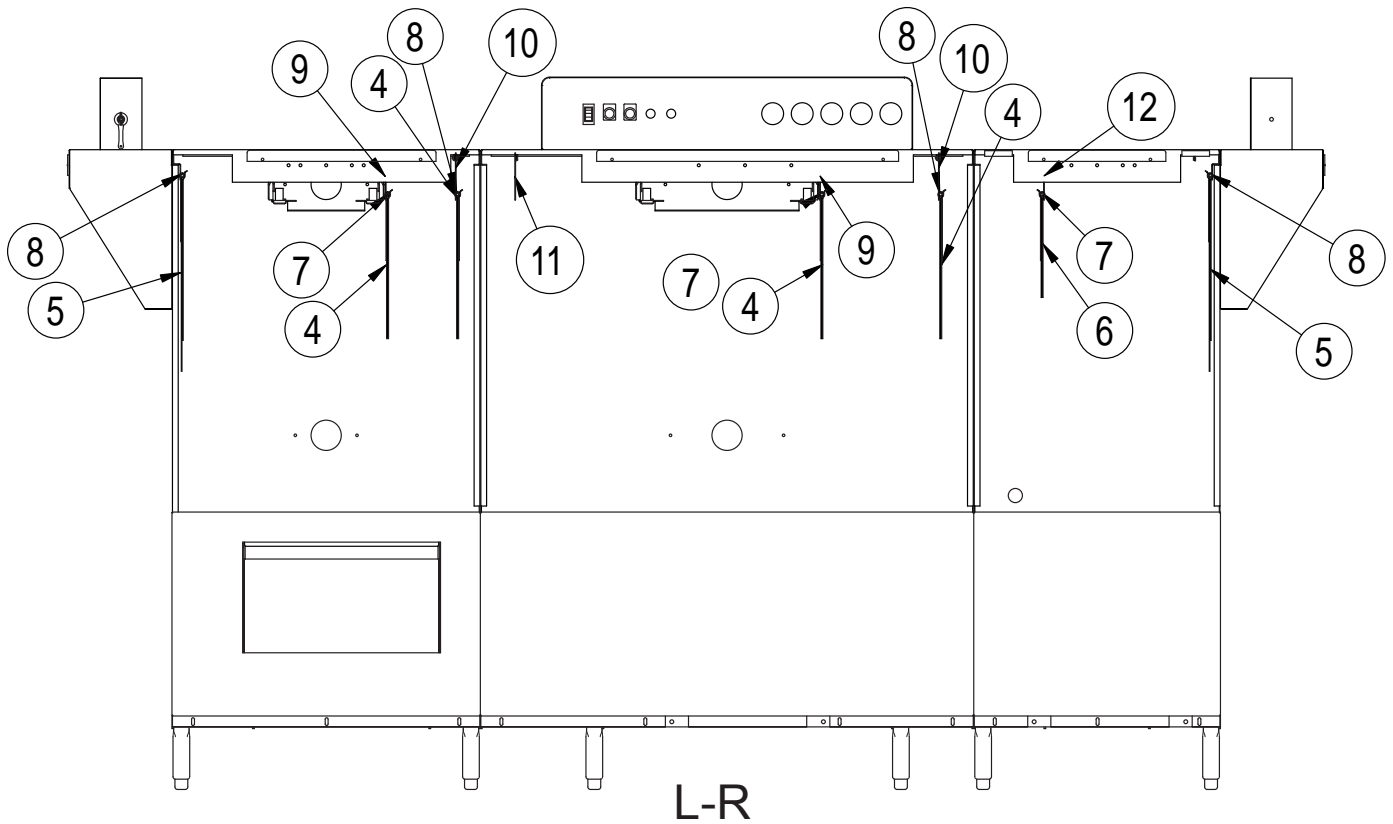
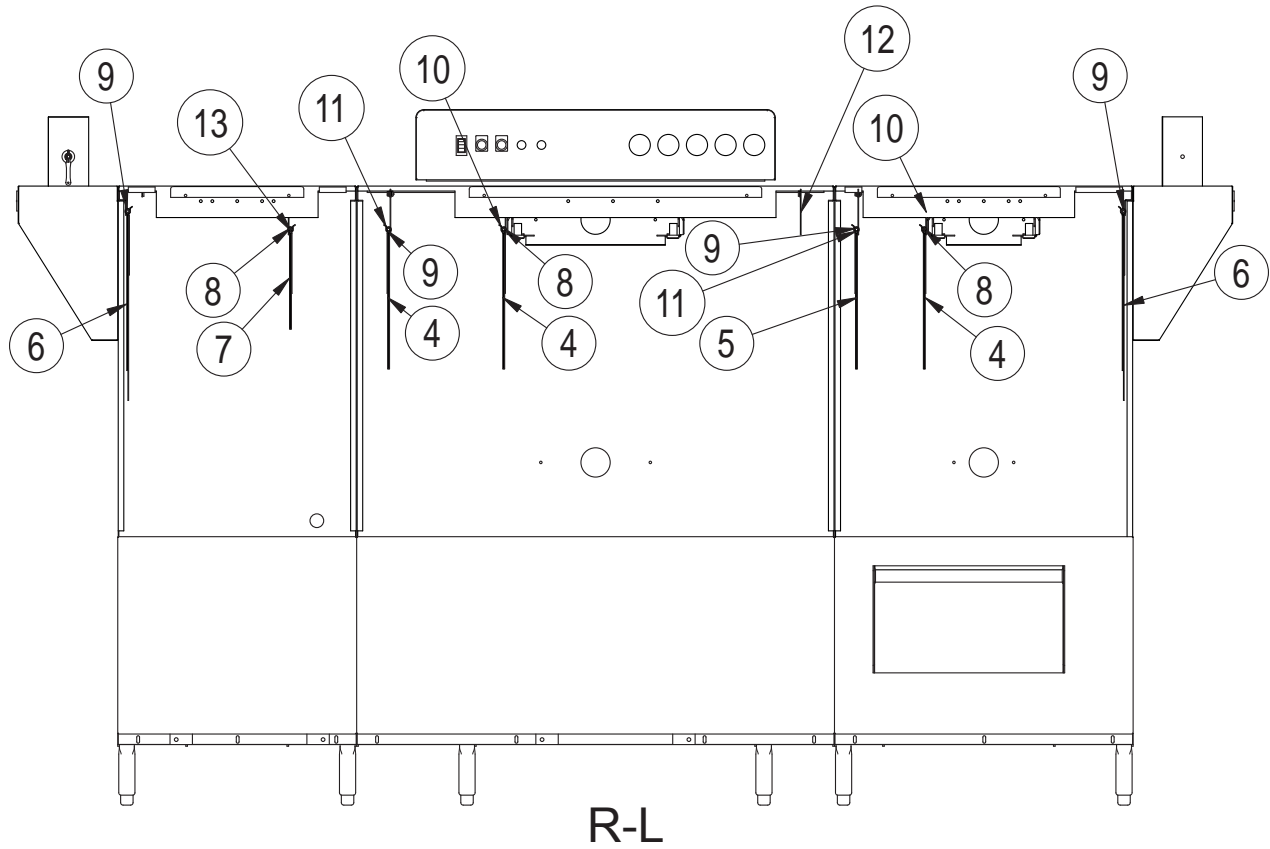
L-R

R-L

| Item No. | Part No. | Description                             | Qty. |
|----------|----------|---|------|
| 1        | 100734   | HEX HEAD,1/4-20 X 1/2 SST               | 12   |
| 2        | 106026   | WASHER,FLAT,1/4x5/8x.06 SST             | 12   |
| 3        | 106482   | WASHER,LOCK,1/4 SPLIT,SST               | 12   |
| 4        | 112445   | CURTAIN,SHORT,14 X 32,NUCCW             | 5    |
| 5        | 114111   | CURTAIN,LONG,19 X 34 1/4,EUCCW          | 2    |
| 6        | 204949   | CURTAIN,SHORT,10 X 32,NUCCW AUX-RINSE.  | 1    |
| 7        | 205432   | ROD,CURTAIN,5/16 X 32"LG.SST,UCCW       | 3    |
| 8        | 206581   | ROD,CURTAIN,5/16 X 34 1/4"LG.SST,UCCW   | 5    |
| 9        | 329719-2 | BAFFLE, CURTAIN HANGER.MANIFOLD MTD,LH  | 2    |
| 10       | 329720-1 | BAFFLE, CURTAIN HANGER,HOOD MTD,LH      | 2    |
| 11       | 329720-2 | BAFFLE, CURTAIN HANGER,HOOD MTD,RH      | 1    |
| 12       | 331200-1 | BAFFLE, CURTAIN HANGER,AUX. CENTER, R-L | 1    |

L-R

| Item No. | Part No. | Description                                   | Qty. |
|----------|----------|---|------|
| 1        | 100734   | HEX HEAD,1/4-20 X 1/2 SST                     | 10   |
| 2        | 106026   | WASHER,FLAT,1/4x5/8x.06 SST                   | 10   |
| 3        | 106482   | WASHER,LOCK,1/4 SPLIT,SST                     | 10   |
| 4        | 112445   | CURTAIN,SHORT,14 X 32,NUCCW                   | 4    |
| 5        | 114111   | CURTAIN,LONG,19 X 34 1/4,EUCCW                | 2    |
| 6        | 204949   | CURTAIN,SHORT,10 X 32,NUCCW AUX.-RINSE        | 1    |
| 7        | 205432   | ROD,CURTAIN,5/16 X 32"LG.SST,UCCW             | 2    |
| 8        | 206581   | ROD,CURTAIN,5/16 X 34 1/4"LG.SST,UCCW         | 5    |
| 9        | 329088   | HOOD WELDMENT,C4R-B,ELEC/STEAM                | 1    |
| 10       | 329719-1 | BAFFLE, CURTAIN HANGER.MANIFOLD MTD,RH        | 1    |
| 11       | 329720-1 | BAFFLE, CURTAIN HANGER,HOOD MTD,LH            | 1    |
| 12       | 329720-2 | BAFFLE, CURTAIN HANGER,HOOD MTD,RH            | 2    |
| 13       | 331200-2 | BAFFLE, CURTAIN HANGER,AUX. RINSE CENTER, L-R | 1    |



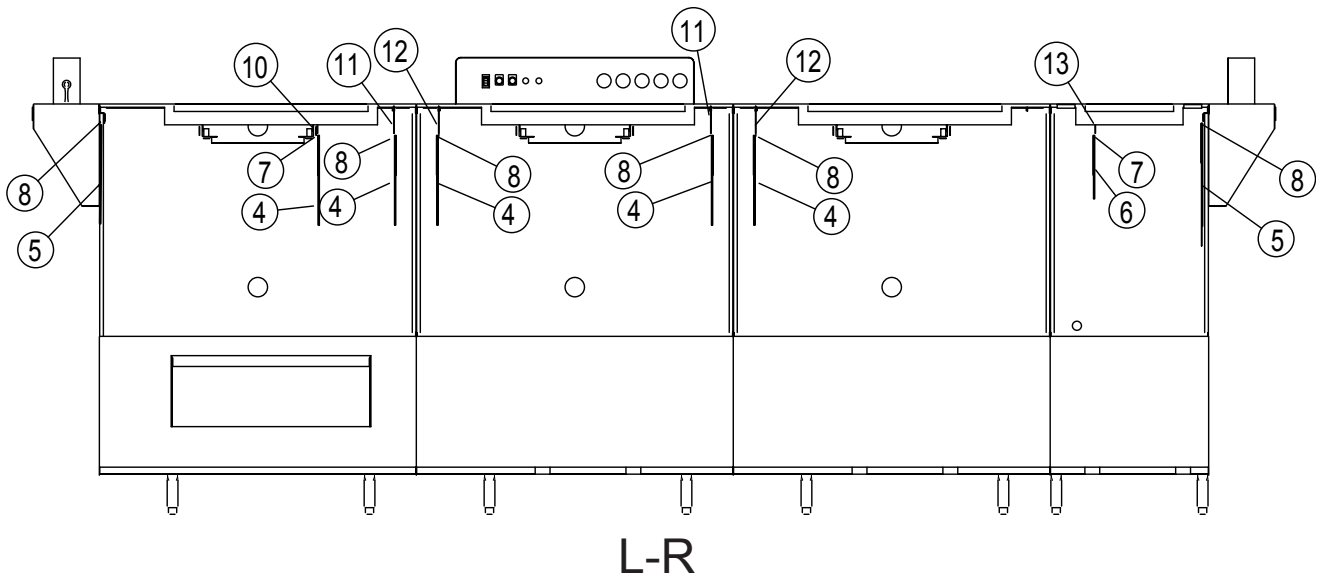
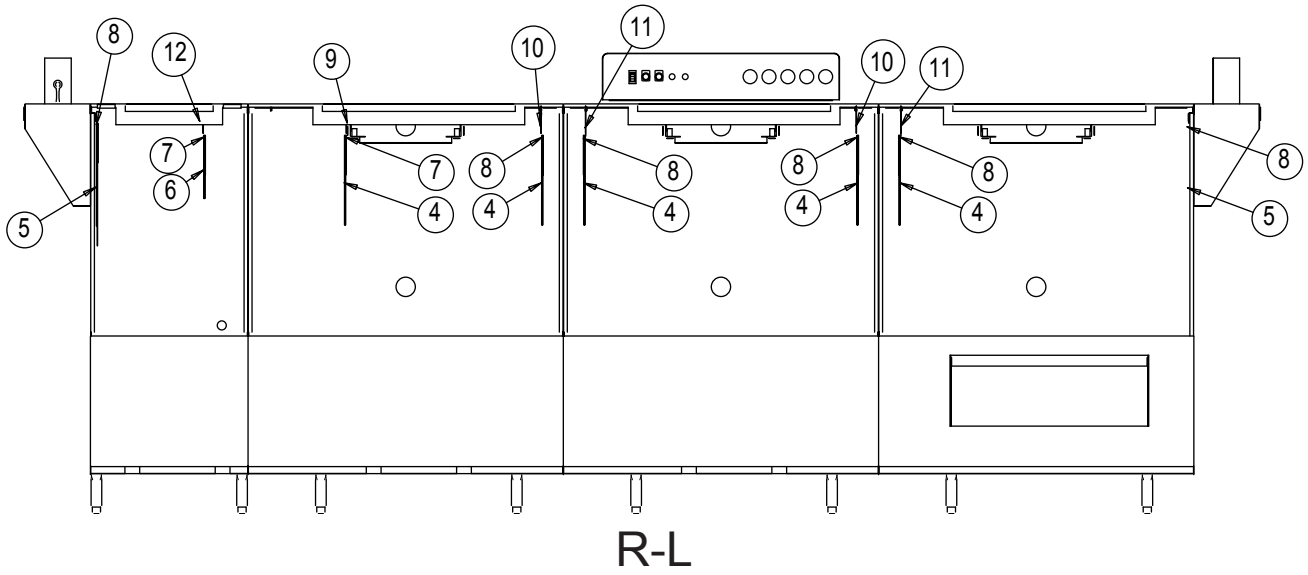
452994/452995

R-L

| Item No. | Part No. | Description                                    | Qty. |
|----------|----------|--|------|
| 1        | 100734   | HEX HEAD, 1/4-20 X 1/2 SST                     | 10   |
| 2        | 106026   | WASHER, FLAT, 1/4x5/8x.06 SST                  | 10   |
| 3        | 106482   | WASHER, LOCK, 1/4 SPLIT, SST                   | 10   |
| 4        | 112445   | CURTAIN, DISHWASHER, UC MACHINE                | 3    |
| 5        | 114110   | CURTAIN, DISHWASHER, UC MACHINE                | 1    |
| 6        | 114111   | CURTAIN, DISHWASHER, UC MACHINE                | 2    |
| 7        | 204949   | CURTAIN, DISHWASHER, UC MACHINE                | 1    |
| 8        | 205432   | ROD, CURTAIN, 5/16 X 32" LG. SST, UCCW         | 3    |
| 9        | 206581   | ROD, CURTAIN, 5/16 X 34 1/4" LG. SST, UCCW     | 4    |
| 10       | 329719-2 | BAFFLE, CURTAIN HANGER, MANIFOLD MTD, LH       | 2    |
| 11       | 329720-2 | BAFFLE, CURTAIN HANGER, HOOD MTD, RH           | 2    |
| 12       | 330497   | BAFFLE, CURTAIN, BLANK, HOOD MTD               | 1    |
| 13       | 331200-1 | BAFFLE, CURTAIN HANGER, AUX. RINSE CENTER, R-L | 1    |

L-R

| Item No. | Part No. | Description                                    | Qty. |
|----------|----------|--|------|
| 1        | 100734   | HEX HEAD, 1/4-20 X 1/2 SST                     | 10   |
| 2        | 106026   | WASHER, FLAT, 1/4x5/8x.06 SST                  | 10   |
| 3        | 106482   | WASHER, LOCK, 1/4 SPLIT, SST                   | 10   |
| 4        | 112445   | CURTAIN, SHORT, 14 X 32, NUCCW                 | 4    |
| 5        | 114111   | CURTAIN, LONG, 19 X 34 1/4, EUCCW              | 2    |
| 6        | 204949   | CURTAIN, SHORT, 10 X 32, NUCCW E2              | 1    |
| 7        | 205432   | ROD, CURTAIN, 5/16 X 32" LG. SST, UCCW         | 3    |
| 8        | 206581   | ROD, CURTAIN, 5/16 X 34 1/4" LG. SST, UCCW     | 4    |
| 9        | 329719-1 | BAFFLE, CURTAIN HANGER, MANIFOLD MTD, RH       | 2    |
| 10       | 329720-1 | BAFFLE, CURTAIN HANGER, HOOD MTD, LH           | 2    |
| 11       | 330497   | BAFFLE, CURTAIN, BLANK, HOOD MTD               | 1    |
| 12       | 331200-2 | BAFFLE, CURTAIN HANGER, AUX. RINSE CENTER, L-R | 1    |

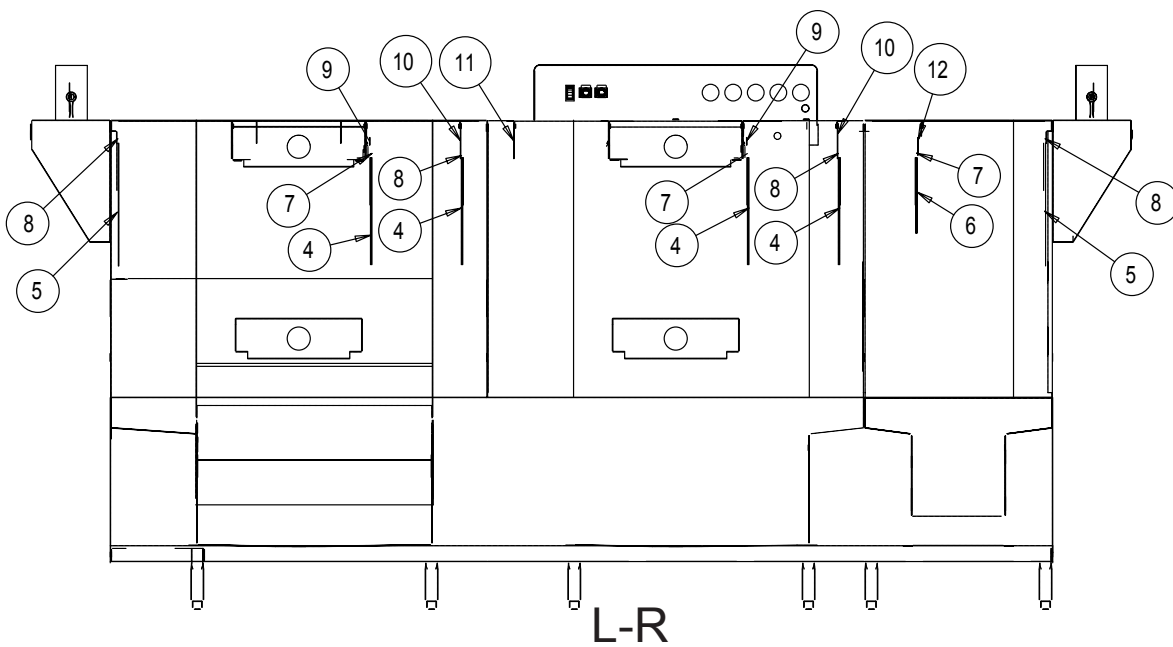
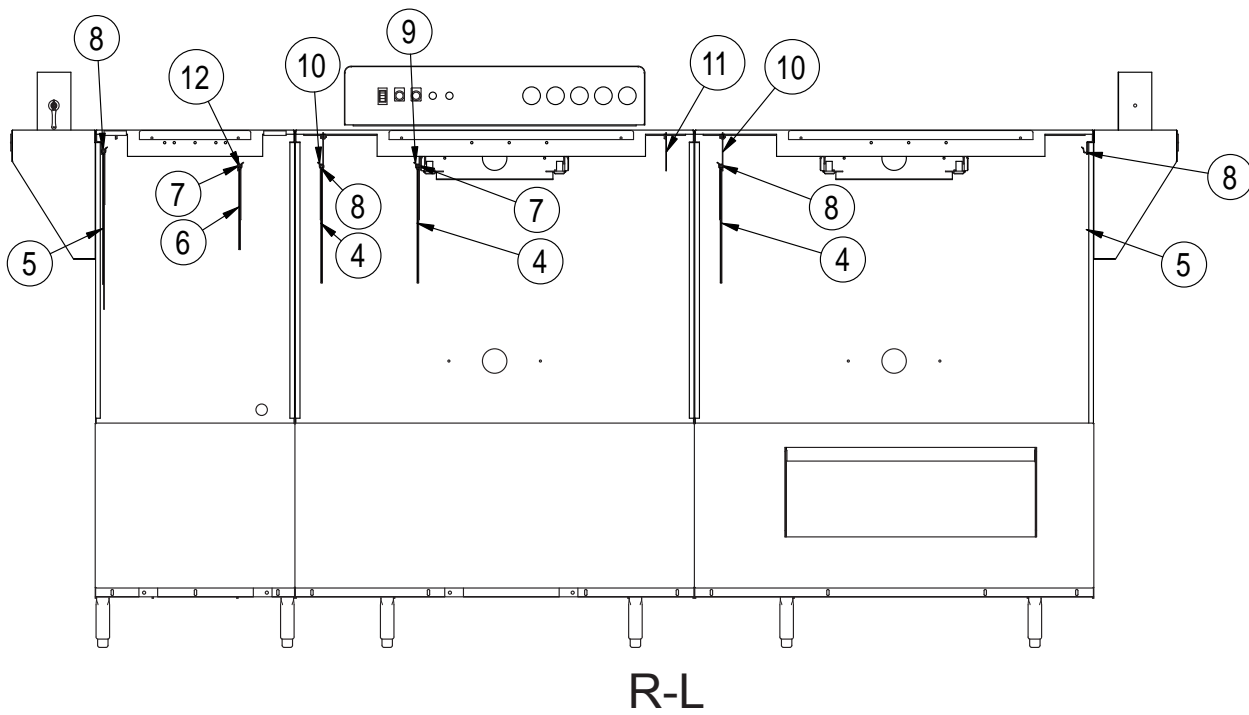


R-L

| Item No. | Part No. | Description                                  | Qty. |
|----------|----------|--|------|
| 1        | 100734   | HEX HEAD, 1/4-20 X 1/2 SST                   | 12   |
| 2        | 106026   | WASHER,FLAT,1/4x5/8x.06 SST                  | 12   |
| 3        | 106482   | WASHER,LOCK,1/4 SPLIT,SST                    | 12   |
| 4        | 112445   | CURTAIN,SHORT,14 X 32,NUCCW                  | 5    |
| 5        | 114111   | CURTAIN,LONG,19 X 34 1/4,EUCCW               | 2    |
| 6        | 204949   | CURTAIN,SHORT,10 X 32,NUCCW AUX. RINSE       | 1    |
| 7        | 205432   | ROD,CURTAIN,5/16 X 32"LG.SST,UCCW            | 2    |
| 8        | 206581   | ROD,CURTAIN,5/16 X 34 1/4"LG.SST,UCCW        | 6    |
| 9        | 329719-2 | BAFFLE, CURTAIN HANGER.MANIFOLD MTD,LH       | 1    |
| 10       | 329720-1 | BAFFLE, CURTAIN HANGER,HOOD MTD,LH           | 2    |
| 11       | 329720-2 | BAFFLE, CURTAIN HANGER,HOOD MTD,RH           | 2    |
| 12       | 331200-1 | BAFFLE, CURTAIN HANGER,AUX. RINSE CENTER,R-L | 1    |

L-R

| Item No. | Part No. | Description                            | Qty. |
|----------|----------|--|------|
| 1        | 100734   | HEX HEAD, 1/4-20 X 1/2 SST             | 12   |
| 2        | 106026   | WASHER,FLAT,1/4x5/8x.06 SST            | 12   |
| 3        | 106482   | WASHER,LOCK,1/4 SPLIT,SST              | 12   |
| 4        | 112445   | CURTAIN,SHORT,14 X 32,NUCCW            | 5    |
| 5        | 114111   | CURTAIN,LONG,19 X 34 1/4,EUCCW         | 2    |
| 6        | 204949   | CURTAIN,SHORT,10 X 32,NUCCW E2         | 1    |
| 7        | 205432   | ROD,CURTAIN,5/16 X 32"LG.SST,UCCW      | 2    |
| 8        | 206581   | ROD,CURTAIN,5/16 X 34 1/4"LG.SST,UCCW  | 6    |
| 9        | 329088   | HOOD WELDMENT,C4R-B,ELEC/STEAM         | 1    |
| 10       | 329719-1 | BAFFLE, CURTAIN HANGER.MANIFOLD MTD,RH | 1    |
| 11       | 329720-1 | BAFFLE, CURTAIN HANGER,HOOD MTD,LH     | 2    |
| 12       | 329720-2 | BAFFLE, CURTAIN HANGER,HOOD MTD,RH     | 2    |

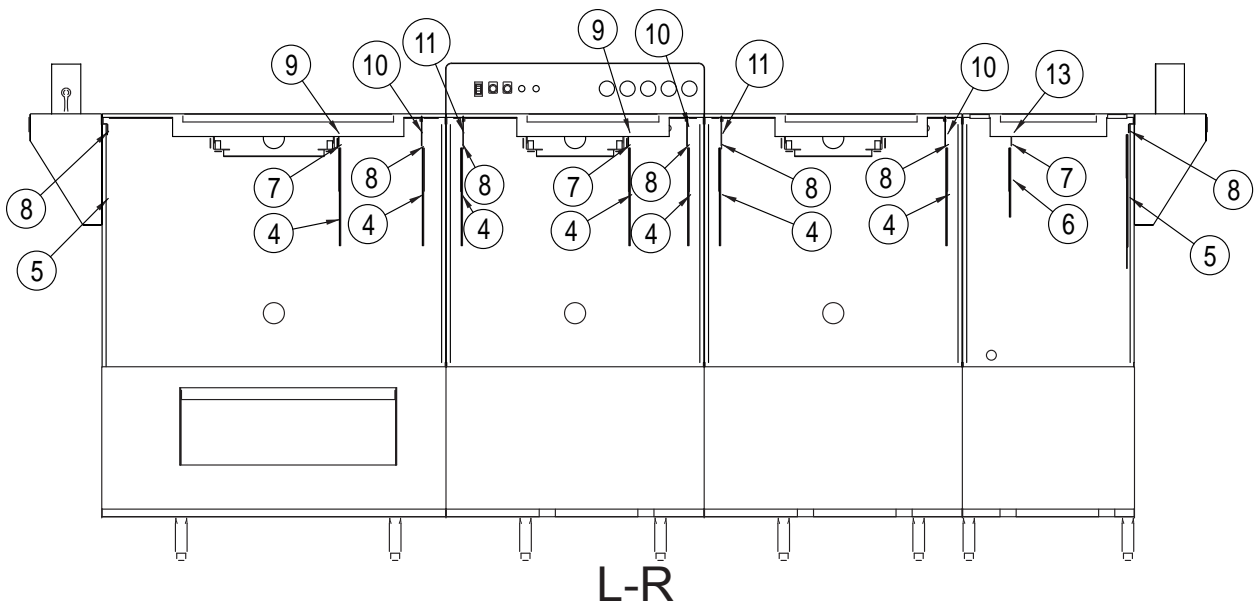
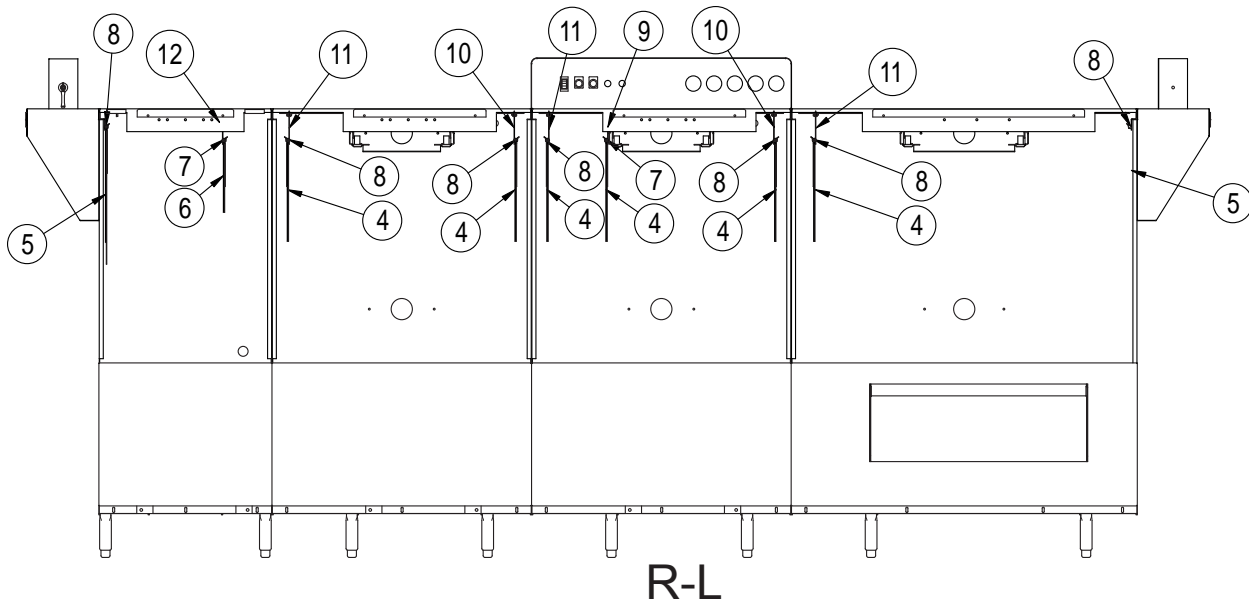


R-L

| Item No. | Part No. | Description                                  | Qty. |
|----------|----------|--|------|
| 1        | 100734   | HEX HEAD, 1/4-20 X 1/2 SST                   | 8    |
| 2        | 106026   | WASHER,FLAT,1/4x5/8x.06 SST                  | 8    |
| 3        | 106482   | WASHER,LOCK,1/4 SPLIT,SST                    | 8    |
| 4        | 112445   | CURTAIN,SHORT,14 X 32,NUCCW                  | 3    |
| 5        | 114111   | CURTAIN,LONG,19 X 34 1/4,EUCCW               | 2    |
| 6        | 204949   | CURTAIN,SHORT,10 X 32,NUCCW AUX. RINSE       | 1    |
| 7        | 205432   | ROD,CURTAIN,5/16 X 32"LG.SST,UCCW            | 2    |
| 8        | 206581   | ROD,CURTAIN,5/16 X 34 1/4"LG.SST,UCCW        | 4    |
| 9        | 329719-2 | BAFFLE, CURTAIN HANGER.MANIFOLD MTD,LH       | 1    |
| 10       | 329720-2 | BAFFLE, CURTAIN HANGER,HOOD MTD,RH           | 2    |
| 11       | 330497   | BAFFLE, CURTAIN ,BLANK,HOOD MTD              | 1    |
| 12       | 331200-1 | BAFFLE, CURTAIN HANGER,AUX. RINSE CENTER,R-L | 1    |

L-R

| Item No. | Part No. | Description                                  | Qty. |
|----------|----------|--|------|
| 1        | 100734   | HEX HEAD, 1/4-20 X 1/2 SST                   | 8    |
| 2        | 106026   | WASHER,FLAT,1/4x5/8x.06 SST                  | 8    |
| 3        | 106482   | WASHER,LOCK,1/4 SPLIT,SST                    | 8    |
| 4        | 112445   | CURTAIN,SHORT,14 X 32,NUCCW                  | 3    |
| 5        | 114111   | CURTAIN,LONG,19 X 34 1/4,EUCCW               | 2    |
| 6        | 204949   | CURTAIN,SHORT,10 X 32,NUCCW AUX. RINSE       | 1    |
| 7        | 205432   | ROD,CURTAIN,5/16 X 32"LG.SST,UCCW            | 2    |
| 8        | 206581   | ROD,CURTAIN,5/16 X 34 1/4"LG.SST,UCCW        | 4    |
| 9        | 329719-2 | BAFFLE, CURTAIN HANGER.MANIFOLD MTD,LH       | 1    |
| 10       | 329720-2 | BAFFLE, CURTAIN HANGER,HOOD MTD,RH           | 2    |
| 11       | 330497   | BAFFLE, CURTAIN ,BLANK,HOOD MTD              | 1    |
| 12       | 331200-1 | BAFFLE, CURTAIN HANGER,AUX. RINSE CENTER,R-L | 1    |

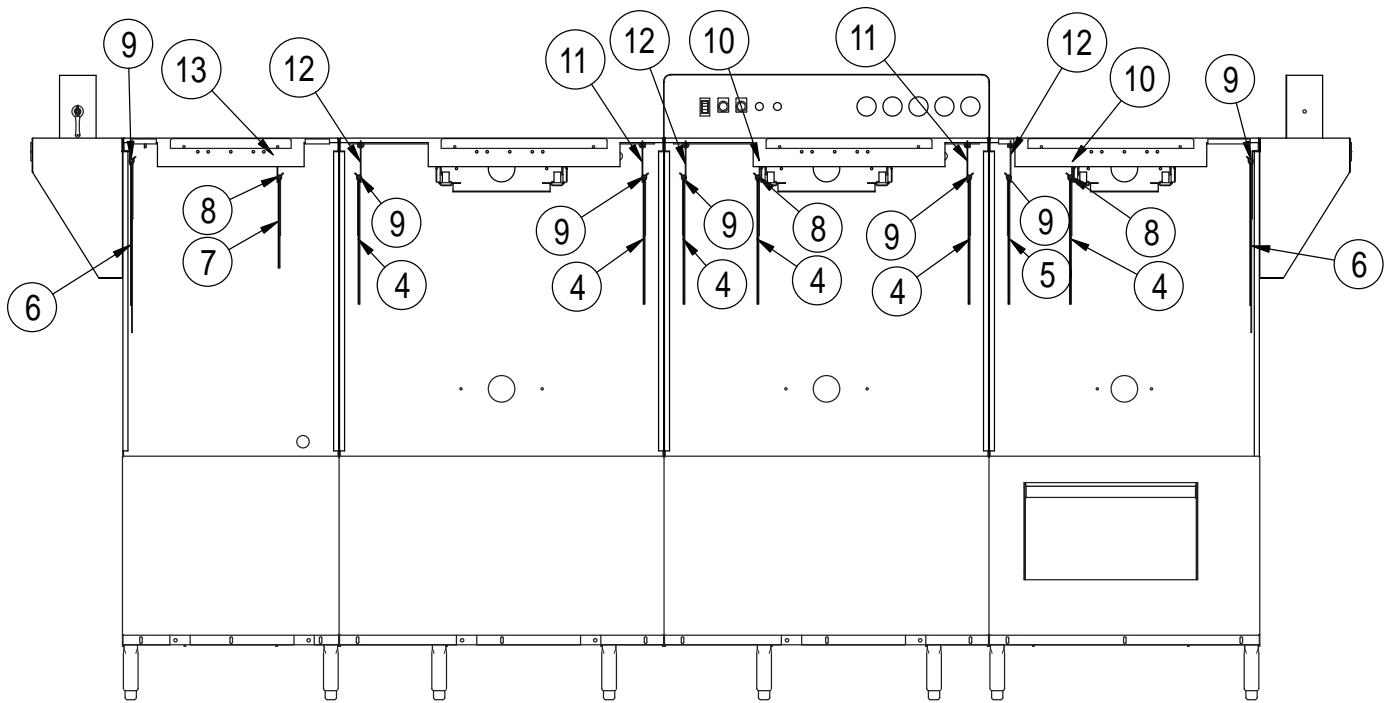


R-L

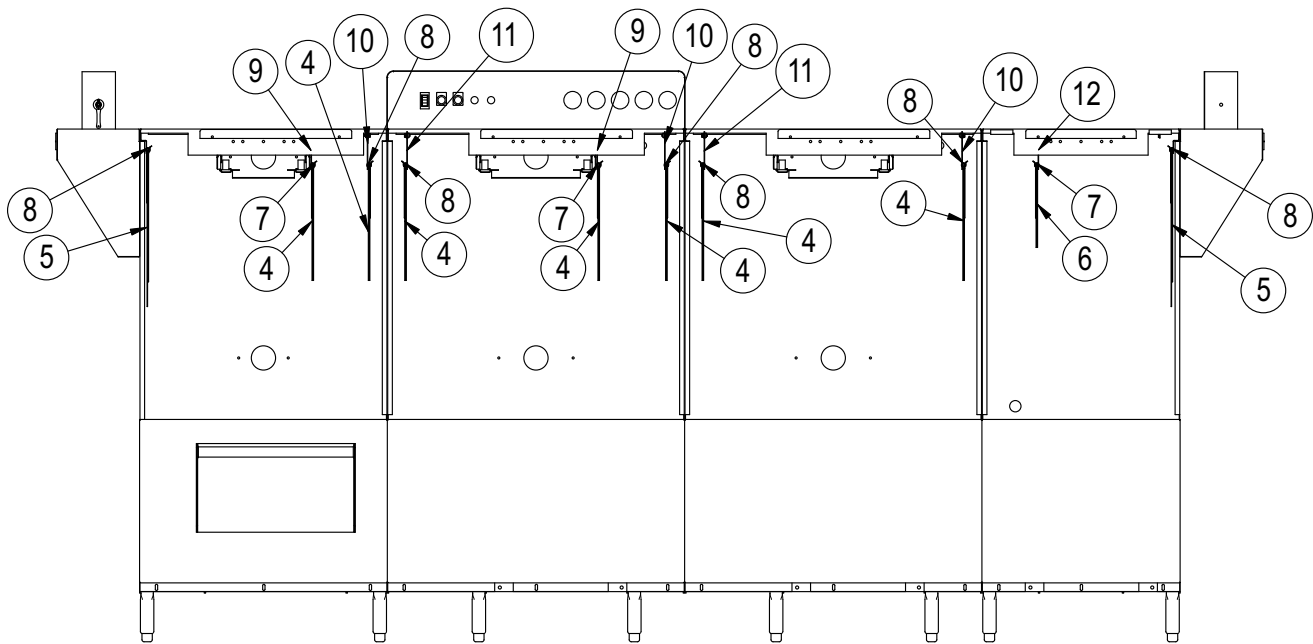
| Item No. | Part No. | Description                                  | Qty. |
|----------|----------|--|------|
| 1        | 100734   | HEX HEAD, 1/4-20 X 1/2 SST                   | 14   |
| 2        | 106026   | WASHER,FLAT,1/4x5/8x.06 SST                  | 14   |
| 3        | 106482   | WASHER,LOCK,1/4 SPLIT,SST                    | 14   |
| 4        | 112445   | CURTAIN,SHORT,14 X 32,NUCCW                  | 6    |
| 5        | 114111   | CURTAIN,LONG,19 X 34 1/4,EUCCW               | 2    |
| 6        | 204949   | CURTAIN,SHORT,10 X 32,NUCCW E2               | 1    |
| 7        | 205432   | ROD,CURTAIN,5/16 X 32"LG.SST,UCCW            | 2    |
| 8        | 206581   | ROD,CURTAIN,5/16 X 34 1/4"LG.SST,UCCW        | 7    |
| 9        | 329719-2 | BAFFLE, CURTAIN HANGER.MANIFOLD MTD,LH       | 1    |
| 10       | 329720-1 | BAFFLE, CURTAIN HANGER,HOOD MTD,LH           | 2    |
| 11       | 329720-2 | BAFFLE, CURTAIN HANGER,HOOD MTD,RH           | 3    |
| 12       | 331200-1 | BAFFLE, CURTAIN HANGER,AUX. RINSE CENTER,R-L | 1    |

L-R

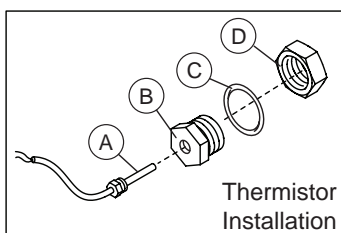
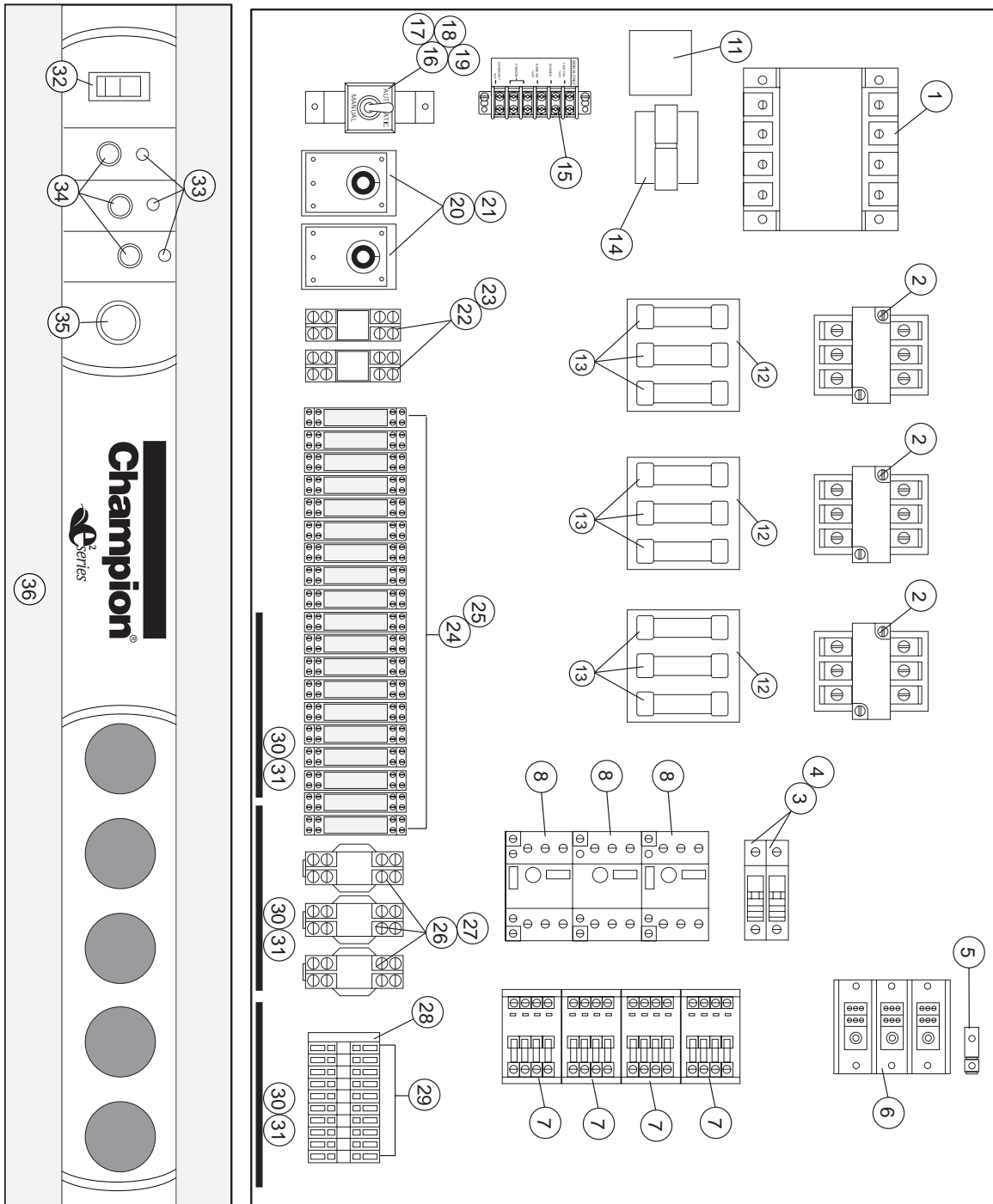
| Item No. | Part No. | Description                                  | Qty. |
|----------|----------|--|------|
| 1        | 100734   | HEX HEAD, 1/4-20 X 1/2 SST                   | 16   |
| 2        | 106026   | WASHER,FLAT,1/4x5/8x.06 SST                  | 16   |
| 3        | 106482   | WASHER,LOCK,1/4 SPLIT,SST                    | 16   |
| 4        | 112445   | CURTAIN,SHORT,14 X 32,NUCCW                  | 7    |
| 5        | 114111   | CURTAIN,LONG,19 X 34 1/4,EUCCW               | 2    |
| 6        | 204949   | CURTAIN,SHORT,10 X 32,NUCCW AUX. RINSE       | 1    |
| 7        | 205432   | ROD,CURTAIN,5/16 X 32"LG.SST,UCCW            | 3    |
| 8        | 206581   | ROD,CURTAIN,5/16 X 34 1/4"LG.SST,UCCW        | 7    |
| 9        | 329719-1 | BAFFLE, CURTAIN HANGER.MANIFOLD MTD,RH       | 2    |
| 10       | 329720-1 | BAFFLE, CURTAIN HANGER,HOOD MTD,LH           | 3    |
| 11       | 329720-2 | BAFFLE, CURTAIN HANGER,HOOD MTD,RH           | 2    |
| 12       | 330223   | HOOD WELDMENT,C3R-B,ELEC/STEAM               | 1    |
| 13       | 331200-2 | BAFFLE, CURTAIN HANGER,AUX. RINSE CENTER,L-R | 1    |



| Item No. | Part No. | Description                            | Qty. |
|----------|----------|--|------|
| 1        | 100734   | CAP SCREW,HEX HEAD,1/4-20 X 1/2 SST    | 16   |
| 2        | 106026   | WASHER,FLAT,1/4x5/8x.06 SST            | 16   |
| 3        | 106482   | WASHER,LOCK,1/4 SPLIT,SST              | 16   |
| 4        | 112445   | CURTAIN,SHORT,14 X 32,NUCCW            | 6    |
| 5        | 114110   | CURTAIN,SHORT,14 X 34 1/4,EUCCW        | 1    |
| 6        | 114111   | CURTAIN,LONG,19 X 34 1/4,EUCCW         | 2    |
| 7        | 204949   | CURTAIN,SHORT,10 X 32,NUCCW E2         | 1    |
| 8        | 205432   | ROD,CURTAIN,5/16 X 32"LG.SST,UCCW      | 3    |
| 9        | 206581   | ROD,CURTAIN,5/16 X 34 1/4"LG.SST,UCCW  | 7    |
| 10       | 329719-2 | BAFFLE, CURTAIN HANGER.MANIFOLD MTD,LH | 2    |
| 11       | 329720-1 | BAFFLE, CURTAIN HANGER,HOOD MTD,LH     | 2    |
| 12       | 329720-2 | BAFFLE, CURTAIN HANGER,HOOD MTD,RH     | 3    |
| 13       | 331200-1 | BAFFLE, CURTAIN HANGER,E2 CENTER,R-L   | 1    |



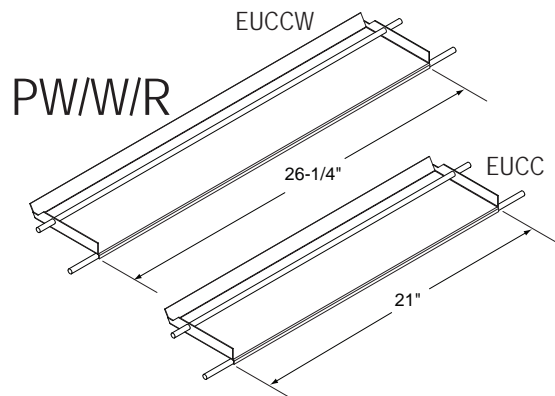
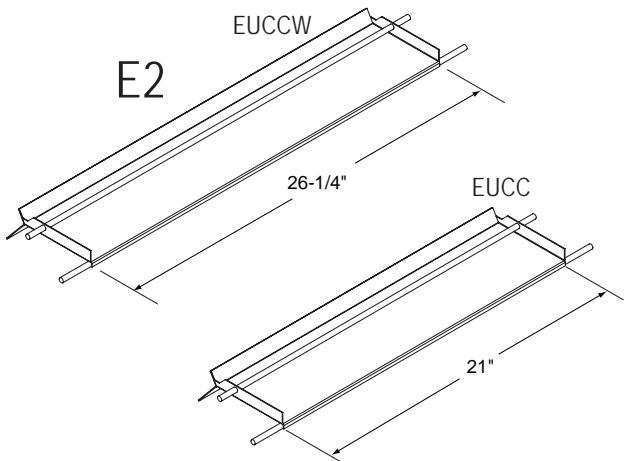
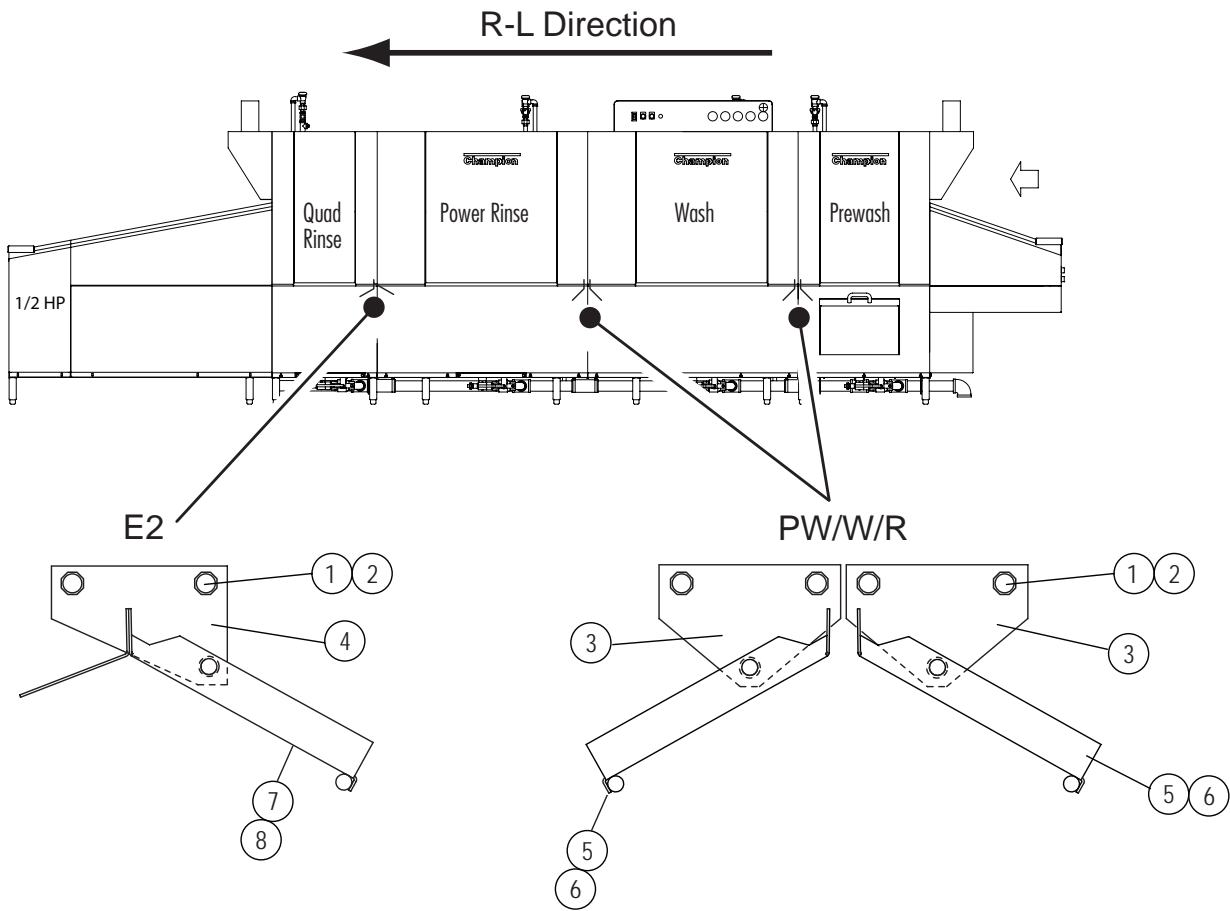
| Item No. | Part No. | Description                                   | Qty. |
|----------|----------|---|------|
| 1        | 100734   | HEX HEAD, 1/4-20 X 1/2 SST                    | 16   |
| 2        | 106026   | WASHER,FLAT,1/4x5/8x.06 SST                   | 16   |
| 3        | 106482   | WASHER,LOCK,1/4 SPLIT,SST                     | 16   |
| 4        | 112445   | CURTAIN,SHORT,14 X 32,NUCCW                   | 7    |
| 5        | 114111   | CURTAIN,LONG,19 X 34 1/4,EUCCW                | 2    |
| 6        | 204949   | CURTAIN,SHORT,10 X 32,NUCCW AUX. RINSE        | 1    |
| 7        | 205432   | ROD,CURTAIN,5/16 X 32"LG.SST,UCCW             | 3    |
| 8        | 206581   | ROD,CURTAIN,5/16 X 34 1/4"LG.SST,UCCW         | 7    |
| 9        | 329719-1 | BAFFLE, CURTAIN HANGER.MANIFOLD MTD,RH        | 2    |
| 10       | 329720-1 | BAFFLE, CURTAIN HANGER,HOOD MTD,LH            | 3    |
| 11       | 329720-2 | BAFFLE, CURTAIN HANGER,HOOD MTD,RH            | 2    |
| 12       | 331200-2 | BAFFLE, CURTAIN HANGER, AUX. RINSE CENTER,L-R | 1    |



| Item No. | Part No. | Description  | Qty. |
|----------|----------|--|------|
| 1        | 180081   | TRANSFORMER, 750VA 240/480:120V                        | 2    |
| 2        | 111827   | CONTACTOR, 60FLA, 3P 120V COIL                         | 1    |
| 3        | 111153   | BLOCK, FUSE DIN RAIL 600V 30A                          | 2    |
| 4        | 111823   | FUSE, LPCC-6 600V TIME DELAY                           | 4    |
| 5        | 103310   | LUG, GROUND  | 1    |
| 6        | 111833   | TERMINAL BLOCK, 175A, 3 POLE, 600V                     | 1    |
| 7        | 108122   | CONTACTOR, 12A   | 4    |
| 8        | 113161   | STARTER, MOTOR 9-14.0A                                 | 3    |
| 9        | 702023   | BLOWER DRYER TIMER KIT                                 | 1    |
| ---      | 111036   | RELAY 120VAC   | 1    |
| ----     | 111068   | SOCKET, RELAY  | 1    |
| 10       | 180081   | TRANSFORMER, 750A (Located in booster control cabinet) | 1    |
| 11       | 114413   | TIMER, 30 SECONDS                                      | 1    |
| 12       | 180171   | BLOCK, FUSE 600V/60A 3P J-TYPE                         | 1    |
| 13       | 180172   | FUSE, J 35A, 600V, FAST-ACTING                         | 9    |
| 14       | 111277   | TRANSFORMER, 120V:24V50/60HZ                           | 1    |
| 15       | 100294   | TERMINAL BLOCK, 6PT                                    | 1    |
| 16       | 304326   | BRACKET, SWITCH  | 1    |
| 17       | 107198   | SWITCH, TOGGLE 3PDT, ON/OFF                            | 1    |
| 18       | 108370   | WASHER, LOCK   | 1    |
| 19       | 104858   | NAMPEPLATE, AUTOMATIC/MANUAL                           | 1    |
| 20       | 114640   | TIMER, UC PUMP AND RINSE                               | 2    |
| 21       | 114641   | BASE, TIMER  | 2    |
| 22       | 114644   | RELAY, LATCH DPDT 24VAC, 8A                            | 2    |
| 23       | 114645   | BASE, RELAY  | 2    |
| 24       | 114642   | RELAY, DPDT 24VAC, 8A                                  | 19   |
| 25       | 114643   | BASE, RELAY  | 19   |
| 26       | 111068   | RELAY, 2PDT 120VAC, 10A                                | 3    |
| 27       | 111036   | RELAY, SOCKET  | 3    |
| 28       | 114521   | END COVER, SINGLE TERMINAL D-MZB                       | 1    |
| 29       | 114520   | TERMINAL, SINGLE MZB 1.5-NS35                          | 10   |
| 30       | 114489   | GAUGE, DIGITAL TEMPERATURE DISPLAY                     | 3    |
| 31       | 114508   | CABLE ASSEMBLY, 4-COND. FOR THERMISTOR                 | 3    |
| 32       | 114505   | BREAKER, 14A, ON-OFF                                   | 1    |
| 33       | 702084   | LED ASSY.  | 3    |
| 34       | 114554   | SWITCH, PIEZO MOMENTARY N.O. 16MM                      | 3    |
| 35       | 0512213  | SWITCH, PIEZO MOMENTARY N.C. 22MM                      | 1    |
| 36       | 114565   | DECAL 36" CONTROL CAB RL DIGITAL DISPLAY               | 1    |
| ---      | 114654   | DECAL 36" CONTROL CAB LR DIGITAL DISPLAY               | N/S  |

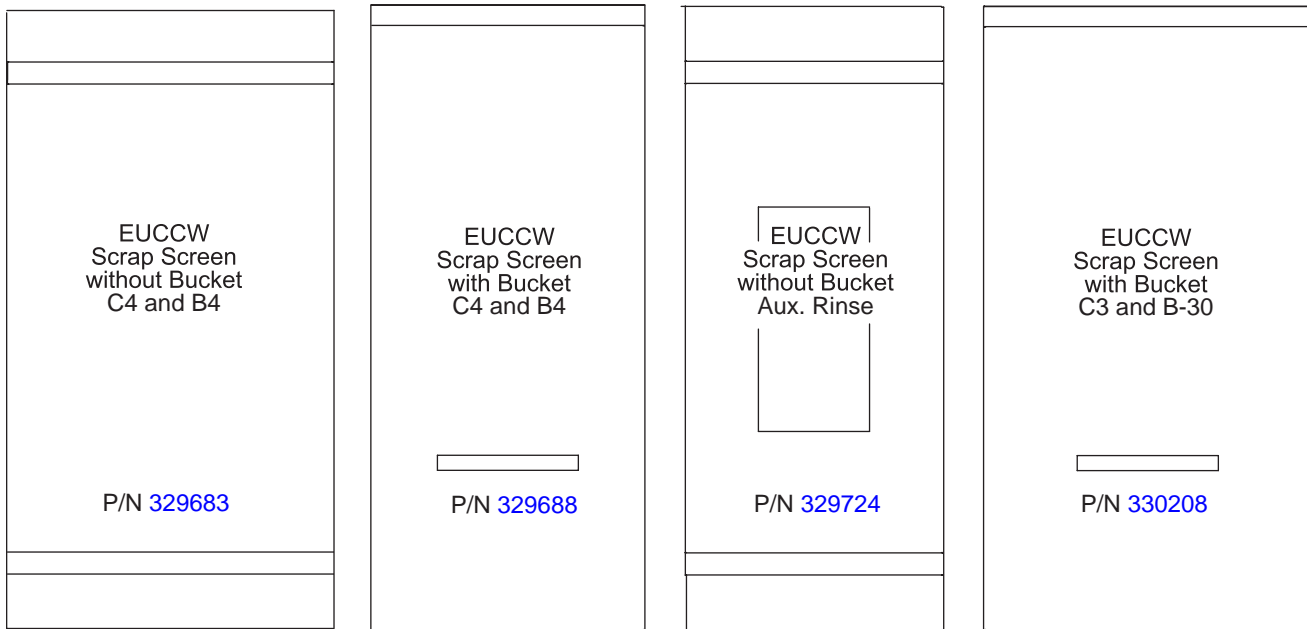
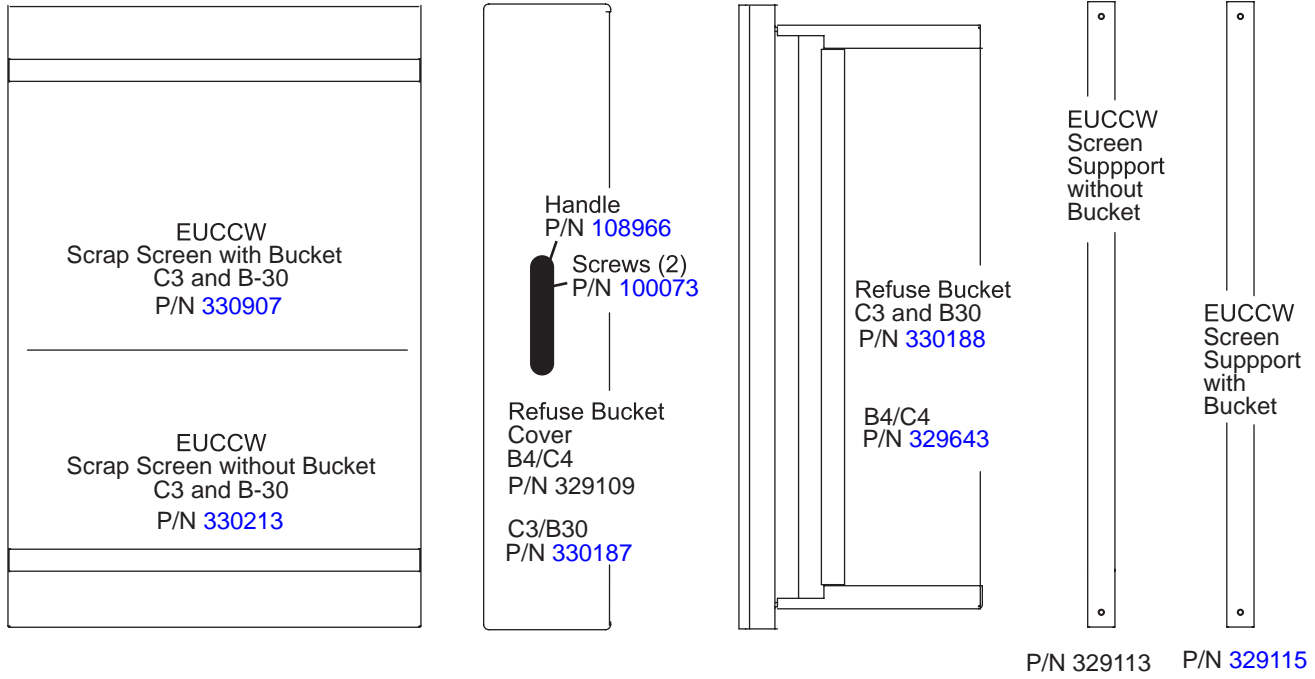
Temperature sensing thermistor are installed the wash tanks and final rinse piping.  
The temperature signals are connected to the digital temperature display gauges (Item 30) in the main control cabinet.

|   |         |                          |   |
|---|---------|--------------------------|---|
| A | 114435  | THERMISTOR, 10K 36" LEAD | 1 |
| B | 0512299 | ADAPTER, THERMISTOR      | 1 |
| C | 0501836 | O-RING                   | 1 |
| D | 201029  | LOCKNUT 1/2" NPT NP      | 1 |



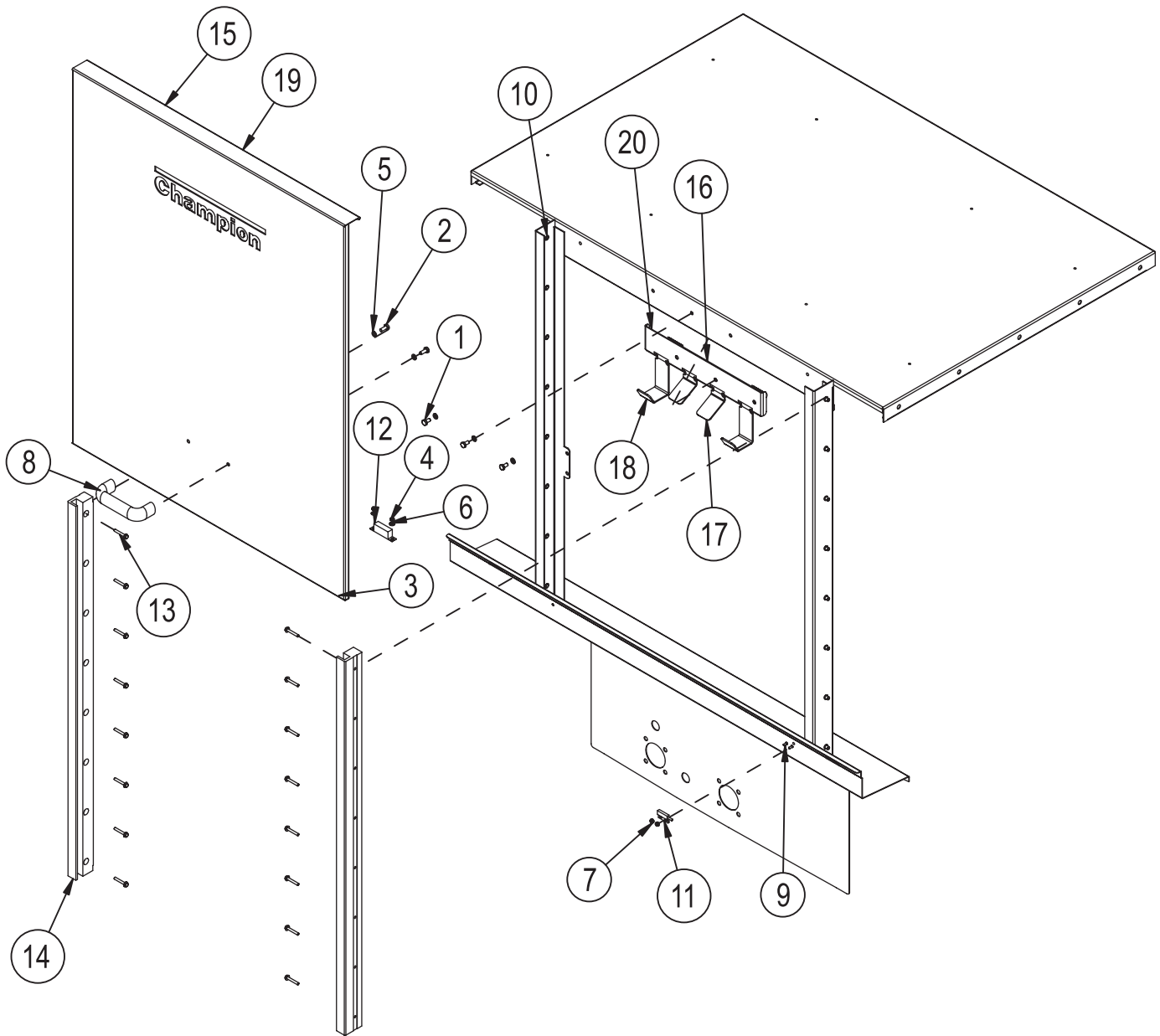
| Item No. | Part No. | Description                 | Qty.          |
|----------|----------|-----------------------------|---------------|
| 1        | 100734   | BOLT, HEX HD. 1/4-20 X 1/2" | 2 PER BRACKET |
| 2        | 106482   | WASHER, LOCK 1/4" SPLIT     | 2 PER BRACKET |
| 3        | 329129   | BRACKET, PW/W/R BAFFLE      | 2 PER BAFFLE  |
| 4        | 331338   | BRACKET, E2 BAFFLE          | 2 PER BAFFLE  |
| 5        | 329805   | BAFFLE, EUCCW, PW/W/R       | 2 PER SECTION |
| 6        | 330691   | BAFFLE, EUCC, PW/W/R        | 2 PER SECTION |
| 7        | 331337   | BAFFLE, EUCCW, E2           | 1 PER SECTION |
| 8        | 331423   | BAFFLE, EUCC, E2            | 1 PER SECTION |

Scrap Screens



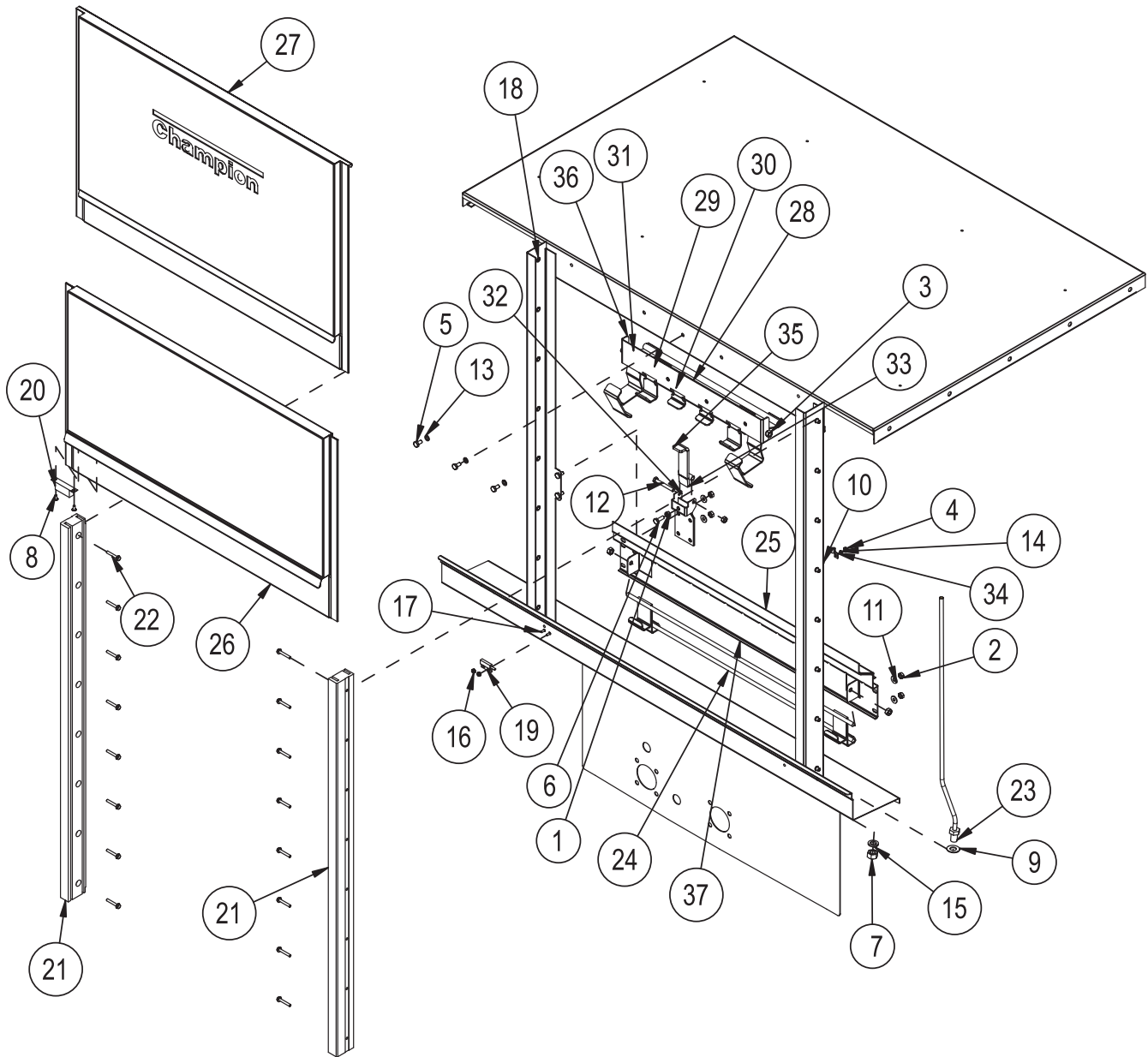
***This Page  
Intentionally  
Left Blank***

Standard 30" Door Assembly



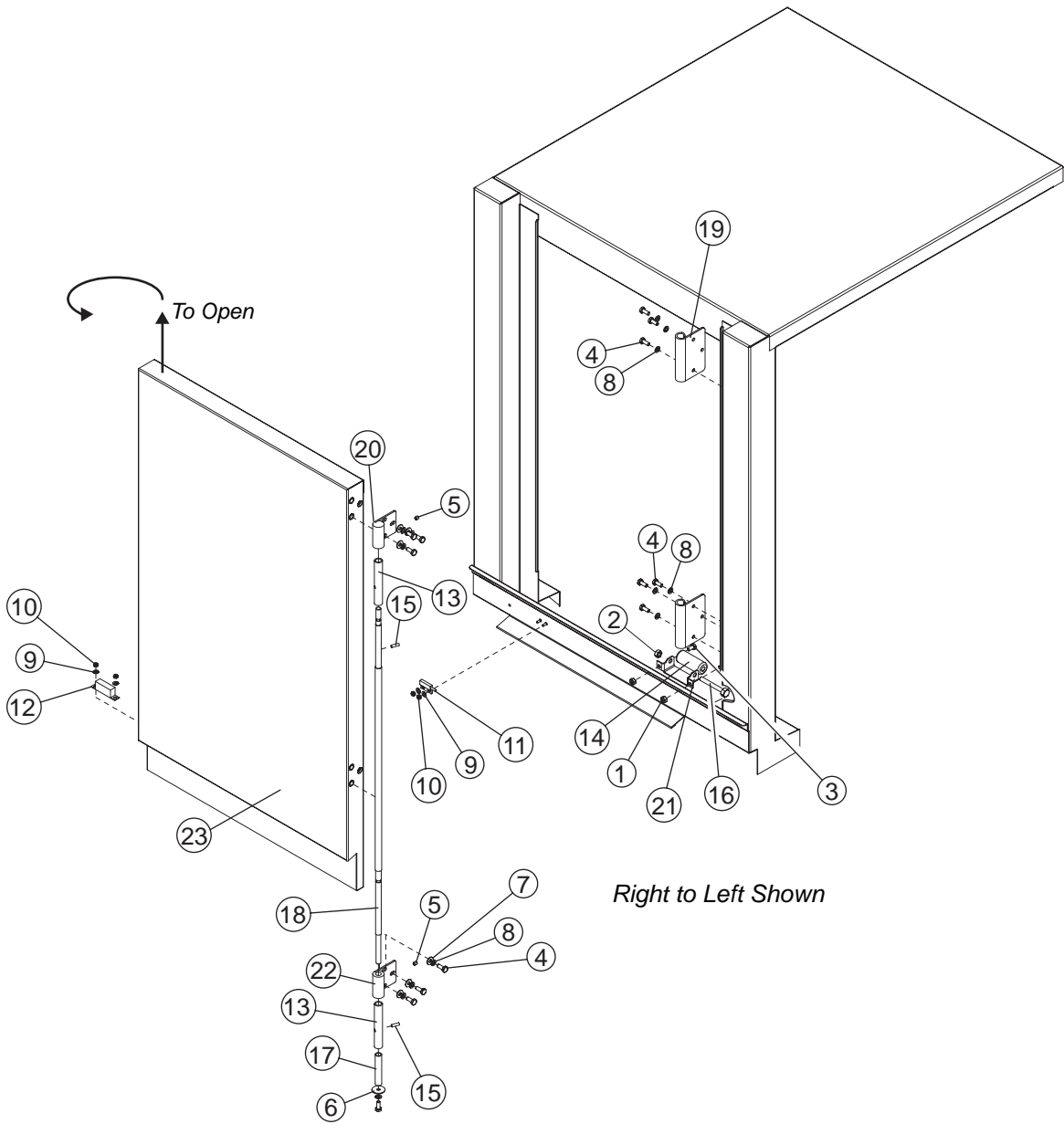
| Item No. | Part No. | Description                              | Qty. |
|----------|----------|--|------|
| 1        | 100734   | HEX HEAD, 1/4-20 X 1/2 SST               | 3    |
| 2        | 100735   | HEX HEAD, 1/4-20 X 5/8 SST               | 2    |
| 3        | 100750   | SCREW, FLAT, 6-32 X 3/8 SST              | 2    |
| 4        | 104971   | HEX GRIP NUT, 6-32 SST                   | 2    |
| 5        | 106482   | WASHER, LOCK, 1/4-20 SPLIT               | 5    |
| 6        | 107033   | WASHER, FLAT SST                         | 2    |
| 7        | 108954   | HEX GRIP NUT, 6-32 SST W/NYLON           | 2    |
| 8        | 108966   | HANDLE, DOOR                             | 1    |
| 9        | -----    | STUD, NOT A REPLACEMENT PART             | --   |
| 10       | -----    | RIVNUT, NOT A REPLACEMENT PART           | --   |
| 11       | 113719   | REED SWITCH                              | 1    |
| 12       | 113937   | MAGNET, REED SWITCH                      | 1    |
| 13       | 114004   | SCREW 10-32 x 1-1/4" HEX WASHER HEAD SST | 16   |
| 14       | 114117   | GUIDE, DOOR                              | 2    |
| 15       | 330248   | DOOR, 30" STD. EUC                       |      |
| ---      | 330249   | DOOR, 14" STD. EUC                       |      |
| ---      | 330250   | DOOR, 19" STD. EUC                       |      |
| ---      | 331304   | DOOR, 30" HI-HOOD                        |      |
| ---      | 331305   | DOOR, 14" HI-HOOD                        |      |
| ---      | 331306   | DOOR, 19" HI-HOOD                        |      |
| 16       | 330301   | BRACKET, DOOR CATCH 30"                  | 1    |
| ---      | 330300   | BRACKET, DOOR CATCH 14" / 19"            | 1    |
| 17       | 330303   | STOP, DOOR CATCH COMBO 30"               | 1    |
| ---      | 330302   | STOP, DOOR CATCH COMBO 14" / 19"         | 1    |
| 18       | 330305   | DOOR CATCH, SINGLE DOOR 30"              | 1    |
| ---      | 330307   | DOOR CATCH, SINGLE DOOR 14" / 19"        | 1    |

Split Door Assembly



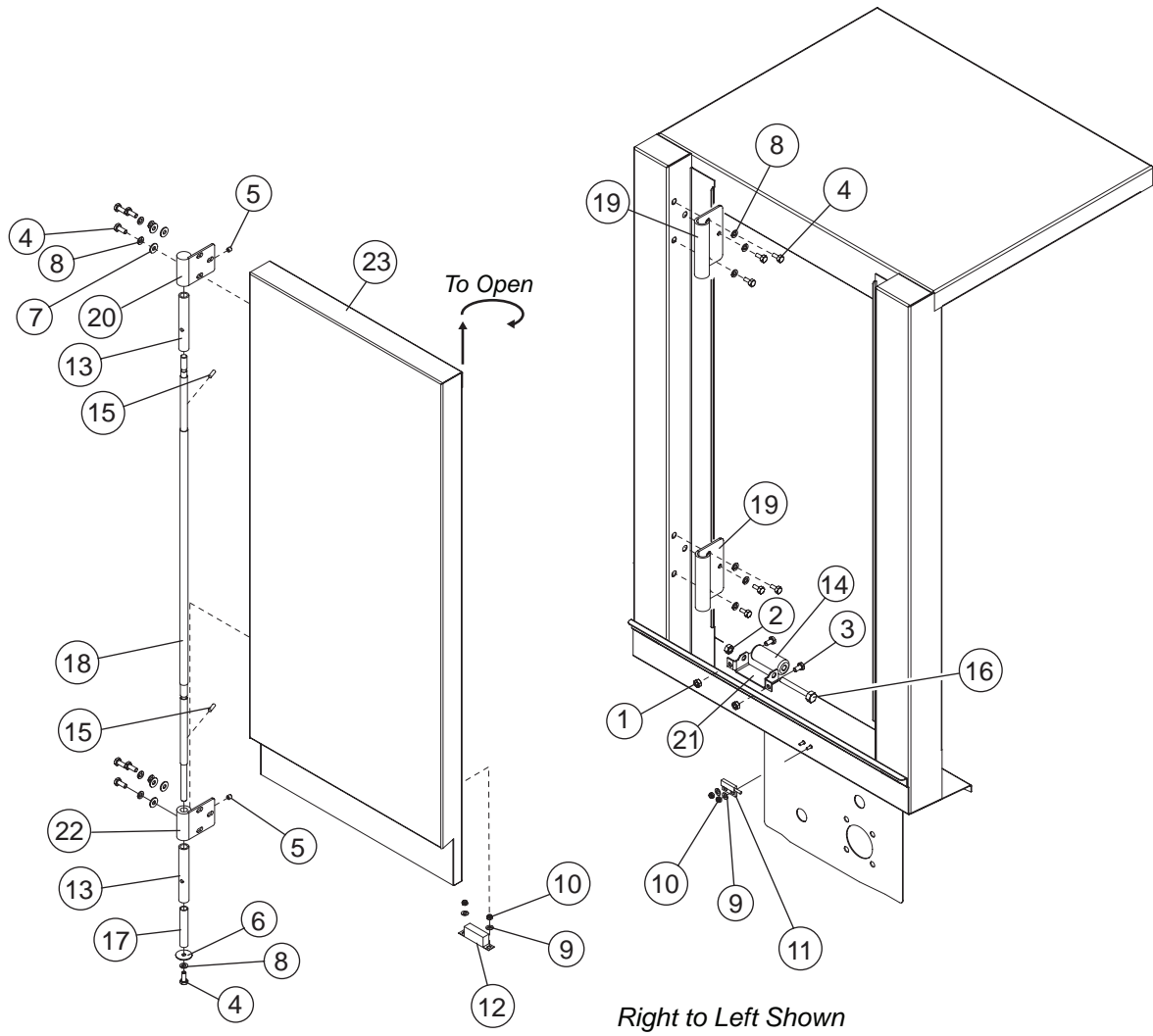
| Item No. | Part No. | Description                               | Qty. |
|----------|----------|---|------|
| 1        | 100003   | HEX PLAIN NUT 1/4-20 SST                  | 1    |
| 2        | 100141   | HEX GRIP NUT 1/4-20 SST                   | 5    |
| 3        | 100142   | HEX GRIP NUT 5/16-18 SST                  | 4    |
| 4        | 104971   | HEX GRIP NUT, 6-32 SST                    | 1    |
| 5        | 100734   | HEX HEAD, 1/4-20 X 1/2 SST                | 7    |
| 6        | 100736   | HEX HEAD, 1/4-20 X 3/4 SST                | 1    |
| 7        | 104584   | HEX PLAIN NUT 1/2-13 SST                  | 1    |
| 8        | 104624   | SCREW, TRUSS HD, 8-32 X 1/2               | 2    |
| 9        | 104882   | WASHER, FLAT SST                          | --   |
| 10       | -----    | STUD, NOT A REPLACEMENT PART              | --   |
| 11       | 106026   | WASHER, FLAT SST                          | 4    |
| 12       | 106347   | HEX HEAD, 1/4-20 X 2 SST                  | 1    |
| 13       | 106482   | WASHER, LOCK, 1/4-20 SPLIT                | 3    |
| 14       | 106486   | WASHER LOCK SST                           | 1    |
| 15       | 107589   | WSHER, LOCK 1/2                           | 1    |
| 16       | 108954   | HEX GRIP NUT 6-32 W/NYLON                 | 2    |
| 17       | -----    | STUD, NOT A REPLACEMENT PART              | --   |
| 18       | -----    | RIVNUT, NOT A REPLACEMENT PART            | --   |
| 19       | 113719   | REED SWITCH                               | 1    |
| 20       | 113937   | MAGNET, REED SWITCH                       | 1    |
| 21       | 113979   | GUIDE DOOR                                | 2    |
| 22       | 114004   | SCREW, 10-32 x 1-1/4 HEX WASHER HEAD, SST | 16   |
| 23       | 114100   | REED SWITCH UPPER DOOR                    | 1    |
| 24       | 329968   | DOOR CATCH, LOWER, 30"                    | 1    |
| ---      | 329969   | DOOR CATCH, LOWER, 14"                    | 1    |
| ---      | 330433   | DOOR CATCH, LOWER, 19"                    | 1    |
| 25       | 330453   | DOOR STOP, LOWER, 30"                     | 1    |
| 25       | 330454   | DOOR STOP, LOWER, 14"                     | 1    |
| 25       | 330455   | DOOR STOP, LOWER, 19"                     | 1    |
| 26       | 330480   | DOOR, LOWER INSULATED, 30"                | 1    |
| ---      | 330481   | DOOR, LOWER INSULATED, 19"                | 1    |
| ---      | 330482   | DOOR, LOWER INSULATED, 14"                | 1    |
| 27       | 330498   | DOOR UPPER INSULATED, 30"                 | 1    |
| ---      | 330499   | DOOR UPPER INSULATED, 19"                 | 1    |
| ---      | 330500   | DOOR UPPER INSULATED, 14"                 | 1    |
| 28       | 330525   | BRACKET, DOOR CATCH, 30"                  | 1    |
| ---      | 330550   | BRACKET, DOOR CATCH, 14"/19"              | 1    |
| 29       | 330526   | HOOK, DOOR CATCH, UPPER DOOR, 30"         | 1    |
| ---      | 330548   | HOOK, DOOR CATCH, UPPER DOOR, 14"/19"     | 1    |
| 30       | 330527   | STOP, DOOR CATCH, 30"                     | 1    |
| ---      | 330540   | STOP, DOOR CATCH, 14"/19"                 | 1    |
| 31       | 330528   | HOOK, DOOR CATCH, LOWER DOOR, 30"         | 1    |
| ---      | 330546   | HOOK, DOOR CATCH, LOWER DOOR, 14"/19"     | 1    |
| 32       | 330537   | BRACKET, SAFETY DOOR                      | 1    |
| 33       | 330539   | ARM, SAFETY CATCH                         | 1    |
| 34       | 330552   | BRACKET, DOOR SWITCH, HOLD-DOWN           | 1    |
| 35       | 114474-1 | DOOR GUIDE,LH, HIGH HOOD                  | 1    |
| 36       | 114474-2 | DOOR GUIDE,LH, HIGH HOOD                  | 1    |
| 37       | 332582   | UPPER DOOR, HIGH HOOD 30"                 | 1    |
| 38       | 332579   | UPPER DOOR, HIGH HOOD 19"                 | 1    |
| 39       | 330552   | UPPER DOOR, HIGH HOOD 14"                 | 1    |

Swing-Out Door Assembly B30 R-L/ E2 L-R



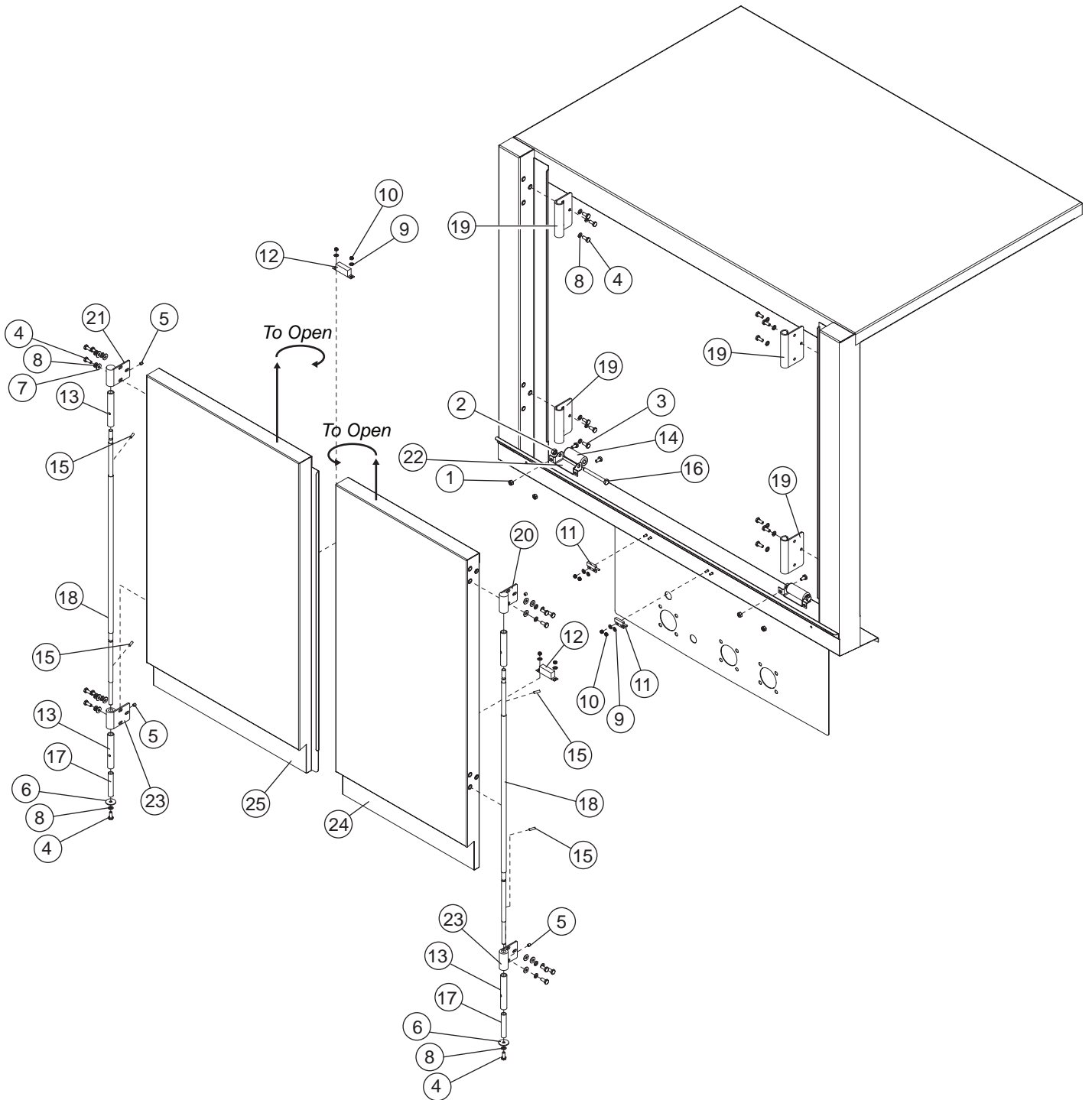
| Item No. | Part No. | Description                                      | Qty. |
|----------|----------|--|------|
| 1        | 100141   | Hex Grip Nut, 1/4-20 SST Ctr. Lock               | 2    |
| 2        | 100142   | Hex Grip Nut, 5/16-18 SST Ctr. Lock              | 1    |
| 3        | 100734   | Bolt, Hex Hd., 1/4-20 x 1/2" SST                 | 2    |
| 4        | 100735   | Bolt, Hex Hd., 1/4-20 x 5/8" SST                 | 13   |
| 5        | 100771   | Set Screw, 1/4-20 x 1/4" Lg. Cup Point SST       | 2    |
| 6        | 104925   | Washer, Flat 1/4" x 1" x .06" SST                | 1    |
| 7        | 106026   | Washer, Flat 1/4" x 5/8" x .06" SST              | 6    |
| 8        | 106482   | Washer, Lock 1/4" Split Lock SST                 | 13   |
| 9        | 107033   | Washer, Flat, .208" x .438" x .03" SST           | 4    |
| 10       | 108954   | Hex Grip Nut, 6-32 SST w/nylon                   | 4    |
| 11       | 113719   | Reed Switch, Aleph                               | 1    |
| 12       | 113937   | Magnet, Reed Switch                              | 1    |
| 13       | 114705   | Bushing, Door Pin, Hinged Door                   | 2    |
| 14       | 114706   | Roller, Door Closure, Swing-out Door             | 1    |
| 15       | 114826   | Pin, Spiral, .187" Dia. x .625" Lg.              | 2    |
| 16       | 114827   | Bolt, Hex HD., 5/16" x 3" SST                    | 1    |
| 17       | 207003   | Tube, 1/2" OD x 2-3/4" Lg.                       | 1    |
| 18       | 207004   | Rod, Door Pivot, Single EUC Swing-out Door       | 1    |
| 19       | 333324   | Hinge, Flag Hood Side, Swing-out Door            | 2    |
| 20       | 333325   | Hinge, Weldment, RH Top Swing-out Door           | 1    |
| 21       | 333327   | Bracket, Door Roller, Swing-out Door             | 1    |
| 22       | 333537   | Hinge Weldment, Swing-out, Bottom                | 1    |
| 23       | 333810   | Door Weldment, B30 RL Hinge, Swing-out Insulated | 1    |
| ---      | xxxxxx   | Door Weldment, B30 RL Hinge, Swing-out Standard  | 1    |
| ---      | xxxxxx   | Door Weldment, E2 LR Hinge, Swing-out Insulated  | 1    |
| ---      | xxxxxx   | Door Weldment, E2 LR Hinge, Swing-out Standard   | 1    |

Swing-Out Door Assembly E2 R-L /B30 L-R



| Item No. | Part No. | Description                                      | Qty. |
|----------|----------|--|------|
| 1        | 100141   | Hex Grip Nut, 1/4-20 SST Ctr. Lock               | 2    |
| 2        | 100142   | Hex Grip Nut, 5/16-18 SST Ctr. Lock              | 1    |
| 3        | 100734   | Bolt, Hex Hd., 1/4-20 x 1/2" SST                 | 2    |
| 4        | 100735   | Bolt, Hex Hd., 1/4-20 x 5/8" SST                 | 13   |
| 5        | 100771   | Set Screw, 1/4-20 x 1/4" Lg. Cup Point SST       | 2    |
| 6        | 104925   | Washer, Flat 1/4" x 1" x .06" SST                | 1    |
| 7        | 106026   | Washer, Flat 1/4" x 5/8" x .06" SST              | 6    |
| 8        | 106482   | Washer, Lock 1/4" Split Lock SST                 | 13   |
| 9        | 107033   | Washer, Flat, .208" x .438" x .03" SST           | 4    |
| 10       | 108954   | Hex Grip Nut, 6-32 SST w/nylon                   | 4    |
| 11       | 113719   | Reed Switch, Aleph                               | 1    |
| 12       | 113937   | Magnet, Reed Switch                              | 1    |
| 13       | 114705   | Bushing, Door Pin, Hinged Door                   | 2    |
| 14       | 114706   | Roller, Door Closure, Swing-out Door             | 1    |
| 15       | 114826   | Pin, Spiral, .187" Dia. x .625" Lg.              | 2    |
| 16       | 114827   | Bolt, Hex HD., 5/16" x 3" SST                    | 1    |
| 17       | 207003   | Tube, 1/2" OD x 2-3/4" Lg.                       | 1    |
| 18       | 207004   | Rod, Door Pivot, Single EUC Swing-out Door       | 1    |
| 19       | 333324   | Hinge, Flag Hood Side, Swing-out Door            | 2    |
| 20       | 333326   | Hinge, Weldment, LH Top Swing-out Door           | 1    |
| 21       | 333327   | Bracket, Door Roller, Swing-out Door             | 1    |
| 22       | 333537   | Hinge Weldment, Swing-out, Bottom                | 1    |
| 23       | 333825   | Door Weldment, E2 LH Hinge, Swing-out Insulated  | 1    |
| ---      | xxxxxx   | Door Weldment, E2 LH Hinge, Swing-out Standard   | 1    |
| ---      | xxxxxx   | Door Weldment, B30 RH Hinge, Swing-out Insulated | 1    |
| ---      | xxxxxx   | Door Weldment, B30 RH Hinge, Swing-out Standard  | 1    |

Swing-Out Door Assembly C4

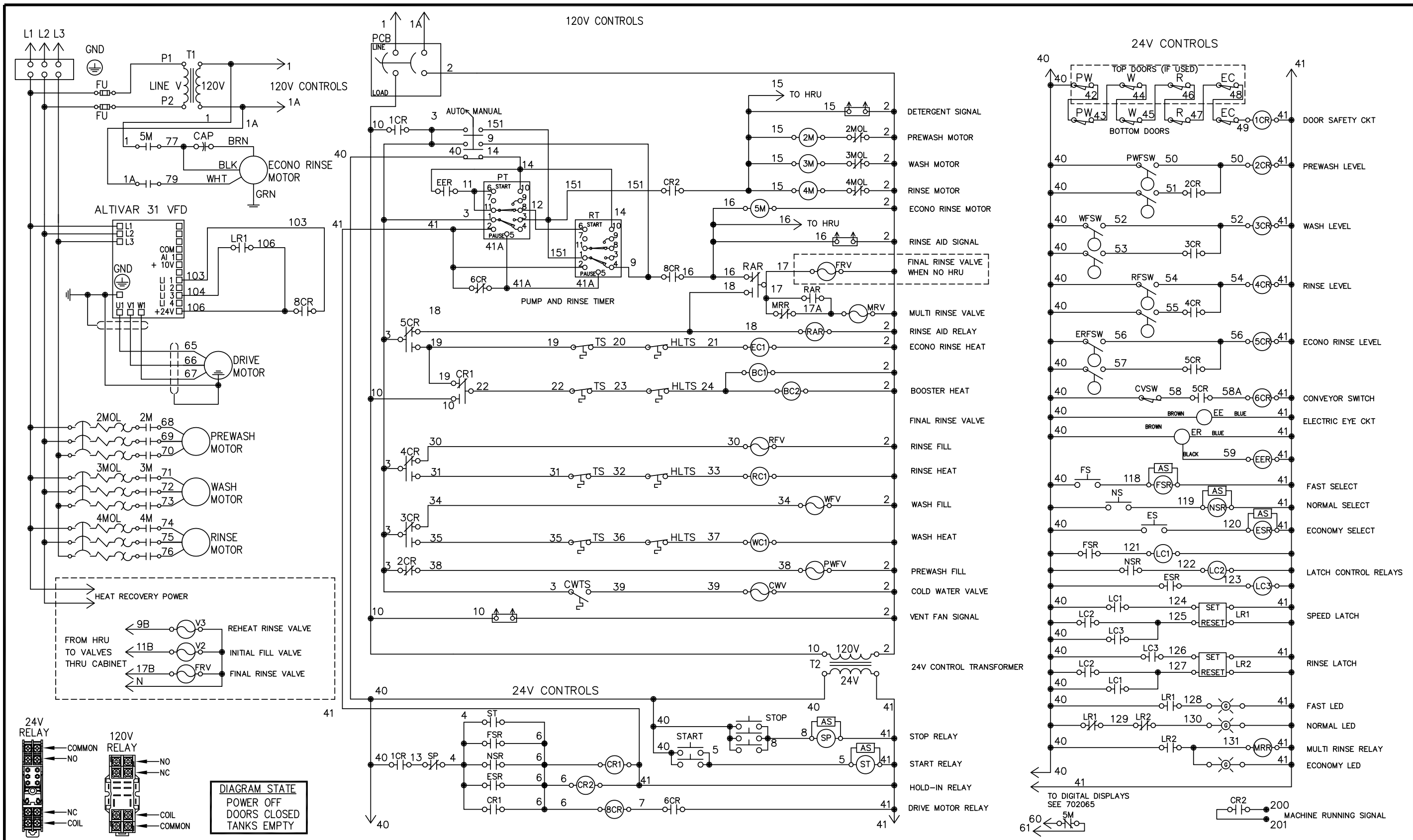


| Item No. | Part No. | Description                                     | Qty. |
|----------|----------|---|------|
| 1        | 100141   | Hex Grip Nut, 1/4-20 SST Ctr. Lock              | 4    |
| 2        | 100142   | Hex Grip Nut, 5/16-18 SST Ctr. Lock             | 2    |
| 3        | 100734   | Bolt, Hex Hd., 1/4-20 x 1/2" SST                | 4    |
| 4        | 100735   | Bolt, Hex Hd., 1/4-20 x 5/8" SST                | 26   |
| 5        | 100771   | Set Screw, 1/4-20 x 1/4" Lg. Cup Point SST      | 4    |
| 6        | 104925   | Washer, Flat 1/4" x 1" x .06" SST               | 2    |
| 7        | 106026   | Washer, Flat 1/4" x 5/8" x .06" SST             | 12   |
| 8        | 106482   | Washer, Lock 1/4" Split Lock SST                | 26   |
| 9        | 107033   | Washer, Flat, .208" x .438" x .03" SST          | 8    |
| 10       | 108954   | Hex Grip Nut, 6-32 SST w/nylon                  | 8    |
| 11       | 113719   | Reed Switch, Aleph                              | 2    |
| 12       | 113937   | Magnet, Reed Switch                             | 2    |
| 13       | 114705   | Bushing, Door Pin, Hinged Door                  | 4    |
| 14       | 114706   | Roller, Door Closure, Swing-out Door            | 2    |
| 15       | 114826   | Pin, Spiral, .187" Dia. x .625" Lg.             | 4    |
| 16       | 114827   | Bolt, Hex HD., 5/16" x 3" SST                   | 2    |
| 17       | 207003   | Tube, 1/2" OD x 2-3/4" Lg.                      | 2    |
| 18       | 207004   | Rod, Door Pivot, Single EUC Swing-out Door      | 2    |
| 19       | 333324   | Hinge, Flag Hood Side, Swing-out Door           | 4    |
| 20       | 333225   | Hinge Weldment, RH, Top Swing-out Door          | 1    |
| 21       | 333326   | Hinge, Weldment, LH Top Swing-out Door          | 1    |
| 22       | 333327   | Bracket, Door Roller, Swing-out Door            | 2    |
| 23       | 333537   | Hinge Weldment, Swing-out, Bottom               | 2    |
| 24       | 333819   | Door Weldment, C4 RH Hinge, Swing-out Insulated | 1    |
| ---      | xxxxxx   | Door Weldment, C4 RH Hinge, Swing-out Standard  | 1    |
| 25       | 333822   | Door Weldment, C4 LH Hinge, Swing-out Insulated | 1    |
| ---      | xxxxxx   | Door Weldment, C4 LH Hinge, Swing-out Standard  | 1    |

***This Page  
Intentionally  
Left Blank***

LEGEND FOR EEUC ELECTRICAL SCHEMATICS

| *        | COMPONENT LOCATED IN MAIN CONTROL CABINET                 |          |   |
|----------|---|----------|---|
| 1CR      | * DOOR SAFETY HOLD IN RELAY                               | NS       | * NORMAL MODE BUTTON                                |
| 2CR      | * PREWASH FILL SWITCH RELAY                               | NSR      | * NORMAL PILOT RELAY                                |
| 3CR      | * WASH FILL SWITCH RELAY                                  | FU       | * FUSE  |
| 4CR      | * RINSE FILL SWITCH RELAY                                 | FRV      | FINAL RINSE VALVE                                   |
| 5CR      | * ECONO RINSE FILL SWITCH RELAY                           | FV       | FLUSHING VALVE                                      |
| 6CR      | * CONVEYOR SWITCH RELAY                                   | GND      | * GROUND  |
| 8CR      | * DRIVE RELAY   | HLTS     | HIGH LIMIT THERMOSTAT                               |
| 2M       | * PREWASH MOTOR CONTACTOR                                 | HRU      | HEAT RECOVERY UNIT                                  |
| 2MOL     | * PREWASH MOTOR OVERLOAD                                  | LC1/2/3* | LATCH CONTROL RELAYS                                |
| 3M       | * WASH MOTOR CONTACTOR                                    | LR1      | * SPEED LATCH RELAY                                 |
| 3MOL     | * WASH MOTOR OVERLOAD                                     | LR2      | * RINSE LATCH RELAY                                 |
| 4M       | * RINSE MOTOR CONTACTOR                                   | PCB      | * POWER SWITCH/CIRCUIT BREAKER                      |
| 4MOL     | * RINSE MOTOR OVERLOAD                                    | PT       | * PUMP TIMER  |
| 5M       | * ECONO RINSE MOTOR CONTACTOR                             | PW       | PREWASH   |
| AM       | * AUTO MANUAL SWITCH                                      | PWFV     | PREWASH TANK FILL VALVE                             |
| BC1/2/3* | * BOOSTER ELECTRIC HEAT CONTACTORS OR STEAM VALVE         | PWFSW    | PREWASH TANK FLOAT SWITCH                           |
| BT       | * BLOWER TIMER  | QRR      | * QUAD RINSE RELAY                                  |
| BTR      | * BLOWER TIMER RELAY                                      | QRV      | QUAD RINSE VALVE                                    |
| CR1/2    | * HOLD-IN RELAY   | R        | RINSE   |
| CVSW     | CONVEYOR SWITCH   | RC-      | * RINSE TANK ELECTRIC HEAT CONTACTOR OR STEAM VALVE |
| CWTS     | COLD WATER THERMOSTAT                                     | RAR      | * RINSE AID RELAY                                   |
| CWV      | COLD WATER VALVE  | RFS      | RINSE TANK FLOAT SWITCH                             |
| DSS      | DOOR SAFTEY SWITCH  | RFV      | RINSE TANK FILL VALVE                               |
| EE       | ELECTRIC EYE EMITTER                                      | RSW      | REVERSING SWITCH (OPTIONAL)                         |
| EER      | * ELECTRIC EYE RELAY                                      | SP       | * STOP RELAY  |
| ER       | ELECTRIC EYE RECEIVER                                     | ST       | * START RELAY                                       |
| EC       | ECONO RINSE   | T1/3     | * CONTROL TRANSFORMER – LINE V:120V                 |
| EC1      | * ECONO RINSE TANK ELECTRIC HEAT CONTACTOR OR STEAM VALVE | T2       | * CONTROL TRANSFORMER – 120V:24V                    |
| EFS      | ECONO RINSE TANK FLOAT SWITCH                             | RT       | * FINAL RINSE TIMER                                 |
| ERFV     | ECONO RINSE TANK FILL VALVE                               | TS       | THERMOSTAT  |
| ES       | * ECONOMY MODE BUTTON                                     | VFD      | VARIABLE FREQUENCY DRIVE                            |
| ESR      | * ECONOMY PILOT RELAY                                     | W        | WASH TANK   |
| FS       | * FAST MODE BUTTON  | WFS      | WASH TANK FLOAT SWITCH                              |
| FSR      | * FAST PILOT RELAY  | WfV      | WASH TANK FILL VALVE                                |
| HR       | * HEAT RECOVERY POWER RELAY                               | WC-      | * WASH TANK ELECTRIC HEAT CONTACTOR OR STEAM VALVE  |
| HCP      | HEAT CIRCULATING PUMP                                     |          |   |
|          |   |          |   |



CUSTOMER TO SUPPLY RATED VOLTAGE/PHASE/Hz, AS SPECIFIED PER ORDER, TO DISCONNECT SWITCH. ALL POWER SUPPLIED TO EACH CONNECTION POINT MUST COMPLY WITH ALL LOCAL ELECTRIC CODES.

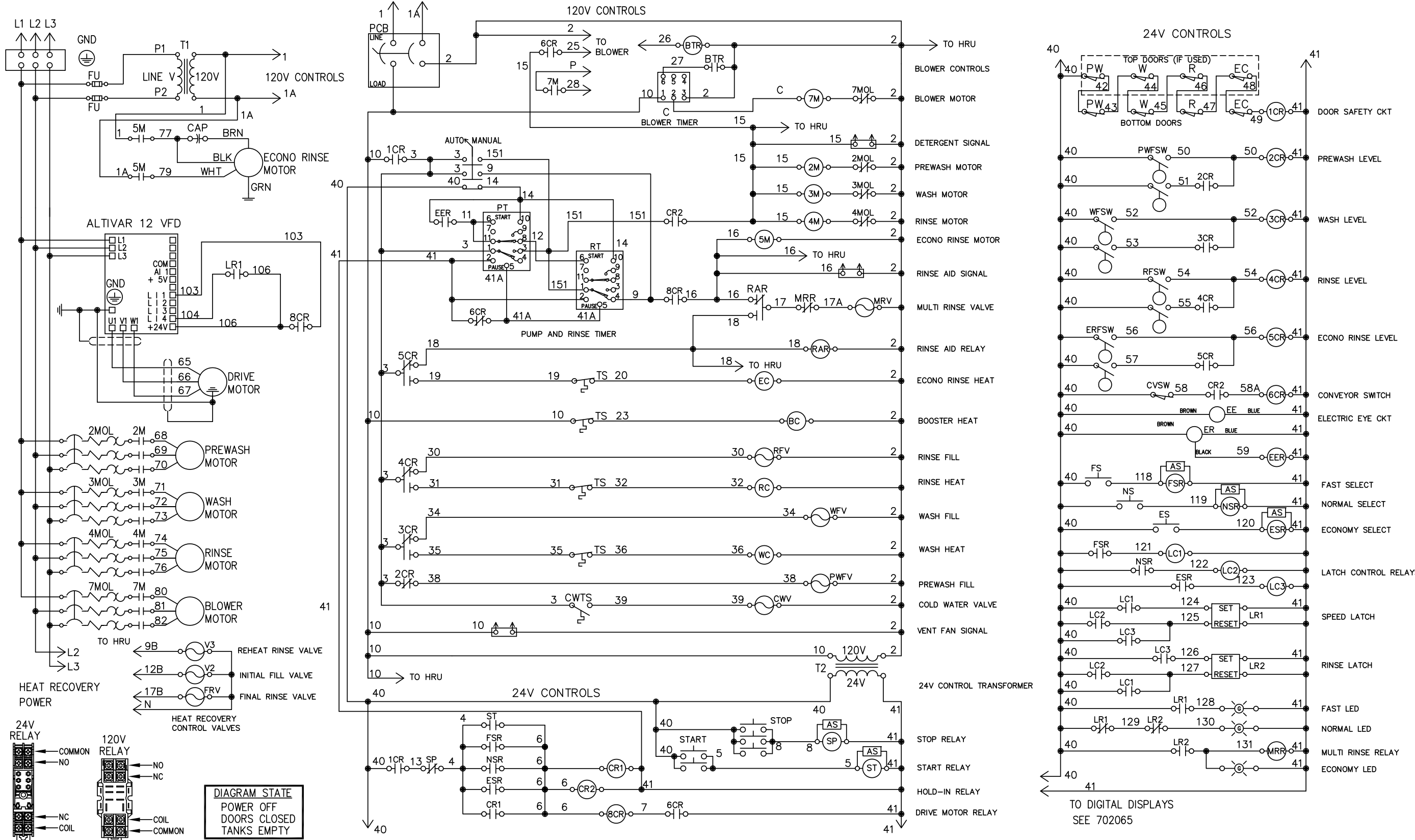
|        |              |       |        |
|--------|--------------|-------|--------|
| DR. BY | J.MCALLISTER | SCALE | NONE   |
| DATE   | 20NOV09      | SHEET | 1 OF 1 |

| REV. | DESCRIPTION | DATE | BY |
|------|-------------|------|----|
|      |             |      |    |
|      |             |      |    |
|      |             |      |    |

**Champion**  
The Dishwashing Machine Specialists

EEUCCW4/6/8PW TEST MACHINE  
ELECTRIC VFD 480/3  
702256  
REV. 0





CUSTOMER TO SUPPLY RATED VOLTAGE/PHASE/Hz. AS SPECIFIED PER ORDER TO DISCONNECT SWITCH. ALL POWER SUPPLIED TO EACH CONNECTION POINT MUST COMPLY WITH ALL LOCAL ELECTRIC CODES.

DR.BY J.MCALLISTER SCALE NONE  
 DATE 08DEC09 SHEET 1 OF 1

| REV. | DESCRIPTION                  | DATE    | BY  |
|------|------------------------------|---------|-----|
| A    | ADDED ALTIVAR 12 MOTOR DRIVE | 13AUG10 | JAM |

| REV. | DESCRIPTION | DATE | BY |
|------|-------------|------|----|
|      |             |      |    |

**Champion**  
 The Dishwashing Machine Specialists

EEUCCW8PW  
 208V STEAM HRU BD  
 B 702257 REV. A

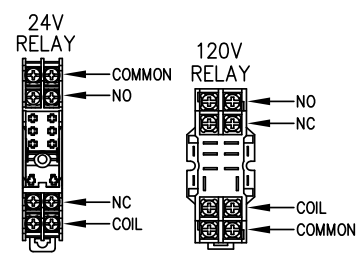
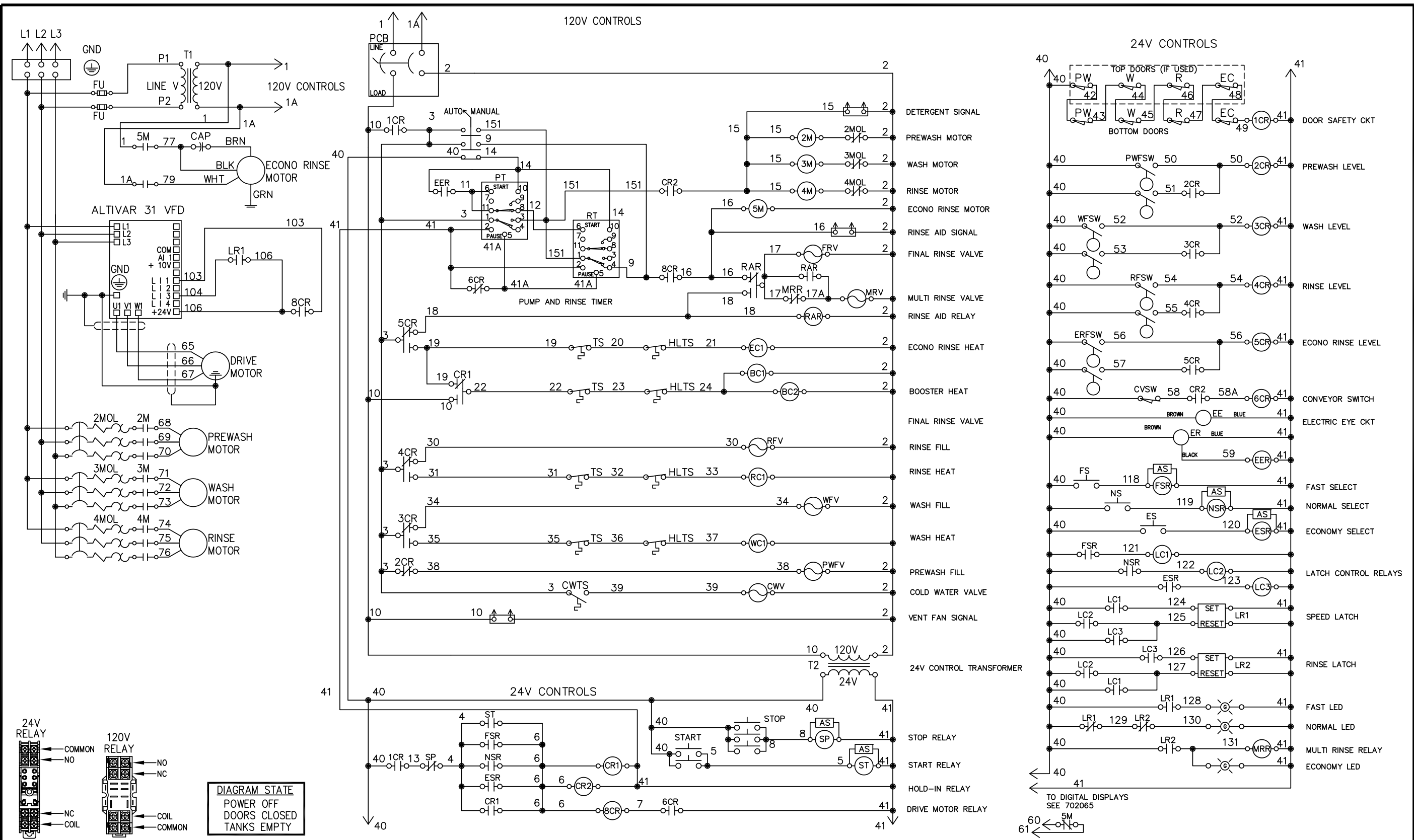


DIAGRAM STATE  
POWER OFF  
DOORS CLOSED  
TANKS EMPTY

CUSTOMER TO SUPPLY RATED VOLTAGE/PHASE/Hz, AS SPECIFIED PER ORDER, TO DISCONNECT SWITCH. ALL POWER SUPPLIED TO EACH CONNECTION POINT MUST COMPLY WITH ALL LOCAL ELECTRIC CODES.

|        |              |       |        |
|--------|--------------|-------|--------|
| DR. BY | J.MCALLISTER | SCALE | NONE   |
| DATE   | 26MAY10      | SHEET | 1 OF 1 |

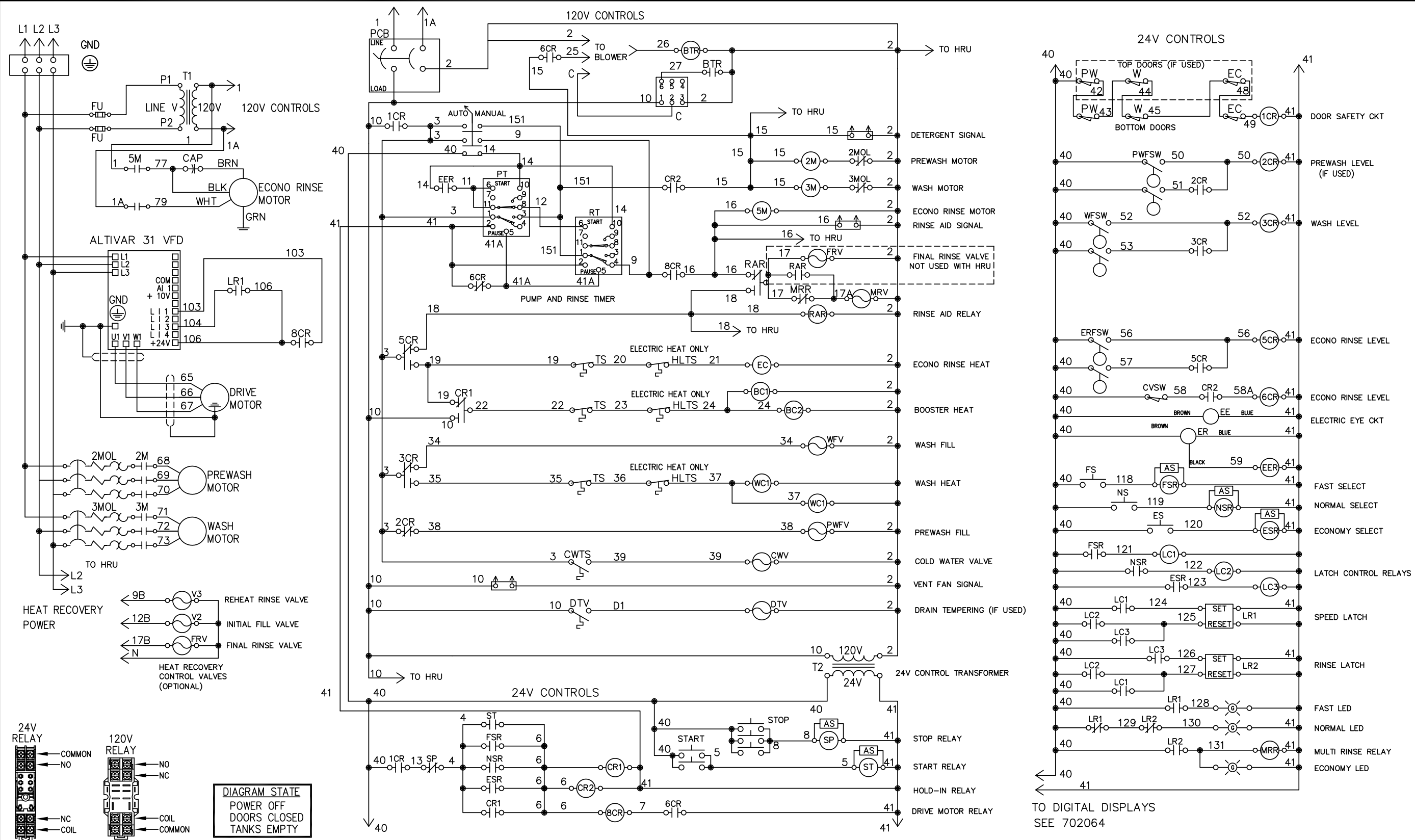
| REV. | DESCRIPTION | DATE | BY |
|------|-------------|------|----|
|      |             |      |    |
|      |             |      |    |

| REV. | DESCRIPTION | DATE | BY |
|------|-------------|------|----|
|      |             |      |    |
|      |             |      |    |

**Champion**  
The Dishwashing Machine Specialists

EEUCCW6/8PW  
ELECTRIC HEAT 480/3  
B 702291 REV.

\*\*



CUSTOMER TO SUPPLY RATED VOLTAGE/PHASE/Hz, AS SPECIFIED PER ORDER, TO DISCONNECT SWITCH. ALL POWER SUPPLIED TO EACH CONNECTION POINT MUST COMPLY WITH ALL LOCAL ELECTRIC CODES.

|        |              |       |        |
|--------|--------------|-------|--------|
| DR. BY | J.MCALLISTER | SCALE | NONE   |
| DATE   | 25AUG10      | SHEET | 1 OF 1 |

| REV. | DESCRIPTION | DATE | BY |
|------|-------------|------|----|
|      |             |      |    |
|      |             |      |    |

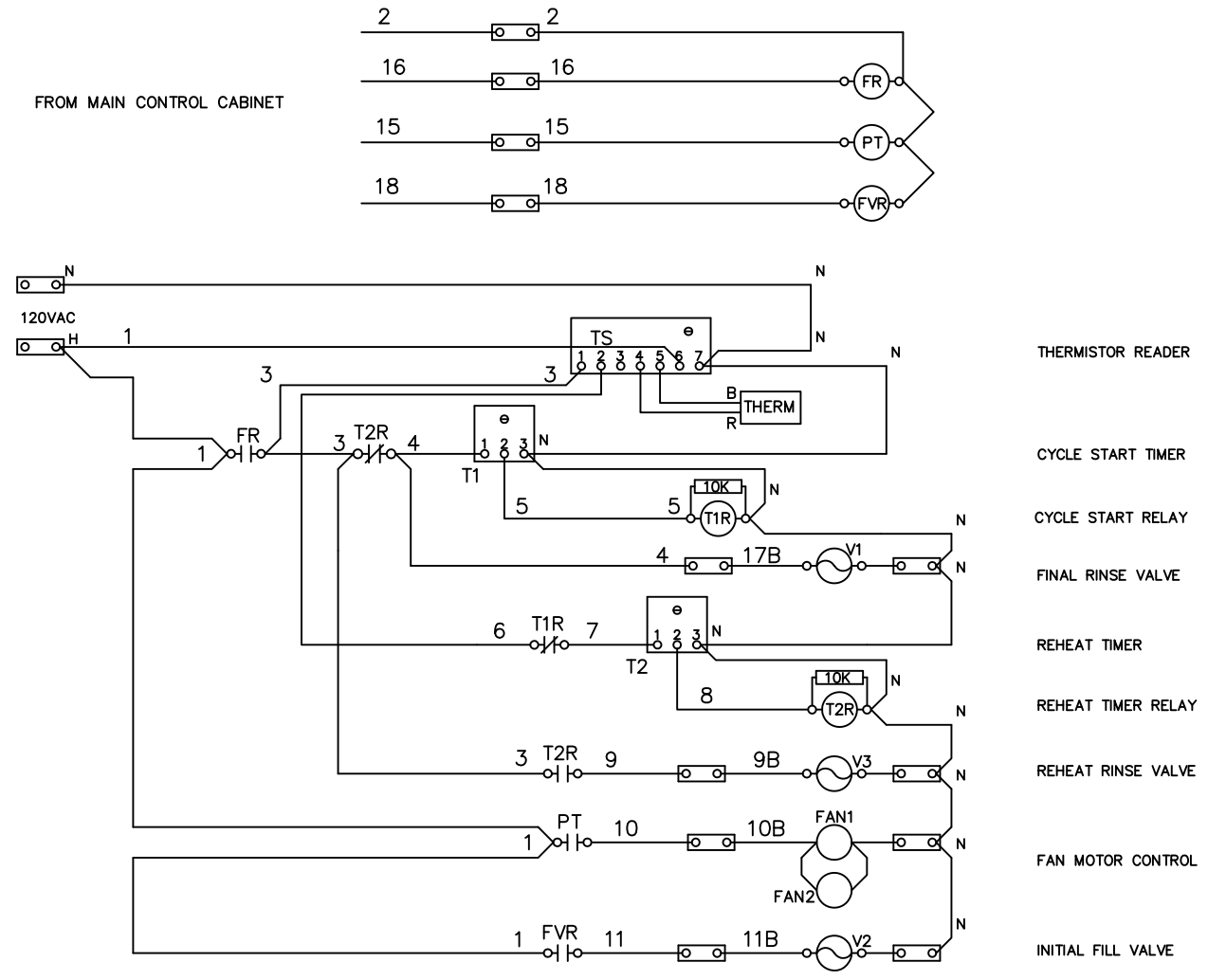
**Champion**  
The Dishwashing Machine Specialists

EEUCC4PW 480V  
STEAM/ELECTRIC HEAT  
B 702307 REV.



WIRING DIAGRAM FOR HEAT RECOVERY UNIT

FROM MAIN CONTROL CABINET



THERMISTOR READER

CYCLE START TIMER

CYCLE START RELAY

FINAL RINSE VALVE

REHEAT TIMER

REHEAT TIMER RELAY

REHEAT RINSE VALVE

FAN MOTOR CONTROL

INITIAL FILL VALVE

702229 REV 0