

Figure 15- Prewash Panels, Doors and Miscellaneous

**PREWASH PANELS, DOORS  
AND MISCELLANEOUS**

<b>Fig. 15 Item No.</b>	<b>Part No.</b>	<b>Part Description</b>	<b>Qty</b>
1	328977	Panel, Front Perimeter 22PW .....	1
1	328978	Panel, Front Perimeter 36PW .....	1
2	327857	Panel, 25" Prewash Perimeter .....	1
3	328030	Table Flange Support .....	1
4	328006	Support, 22 PW Rear Screen .....	1
5	108250	Rod Curtain 5/16 x 24-5/8 .....	1
6	108043	Curtain 24 x 13-1/4 .....	1
7	206358	Rod, 22PW Door Catch (Prior to S/N R3447) .....	1
7	328909	Door Catch 22PW (After S/N R3448) .....	1
8	327887	Bracket, Door Catch Mounting (Prior to S/N R3447) .....	2
8	317345	Bracket, Door Catch (After S/N R3448) .....	2
9	100734	Bolt, 1/4-20 x 1/2 Hex Head .....	2
10	100141	Nut, Grip 1/4-20 SST .....	2
11	113691	Guide, U-channel Door .....	2
12	327952	Door, 22PW .....	1
---	111026	Magnet, Door (Not Shown) .....	1
---	113719	Switch, Reed Aleph (Not Shown) .....	1
13	108966	Door Handle .....	2
14	313359	Bracket, Door Stop .....	1
<b>A</b>	<b>Panel Fasteners (Qty per Panel)</b>		
	100007	Screw 10-32 x 3/8 Truss Head .....	4
<b>B</b>	<b>Table Flange Fasteners</b>		
<b>C</b>	<b>Screen Support Fasteners</b>		
		Bolt	
		Washer	
		Nut	
<b>D</b>	<b>Door and Scrap Basket Handle Fasteners (Qty per Handle)</b>		
	100073	Screw 1/4-20 x 1/2 Truss Head .....	2
<b>E</b>	<b>Door Guide Fasteners (Qty per Guide)</b>		
	113486	Screw 8-32 x 5/8 Flat Head SST .....	6
	112431	Rivnut 8/32 Steel Zinc Plated .....	6

Prior to S/N R3447

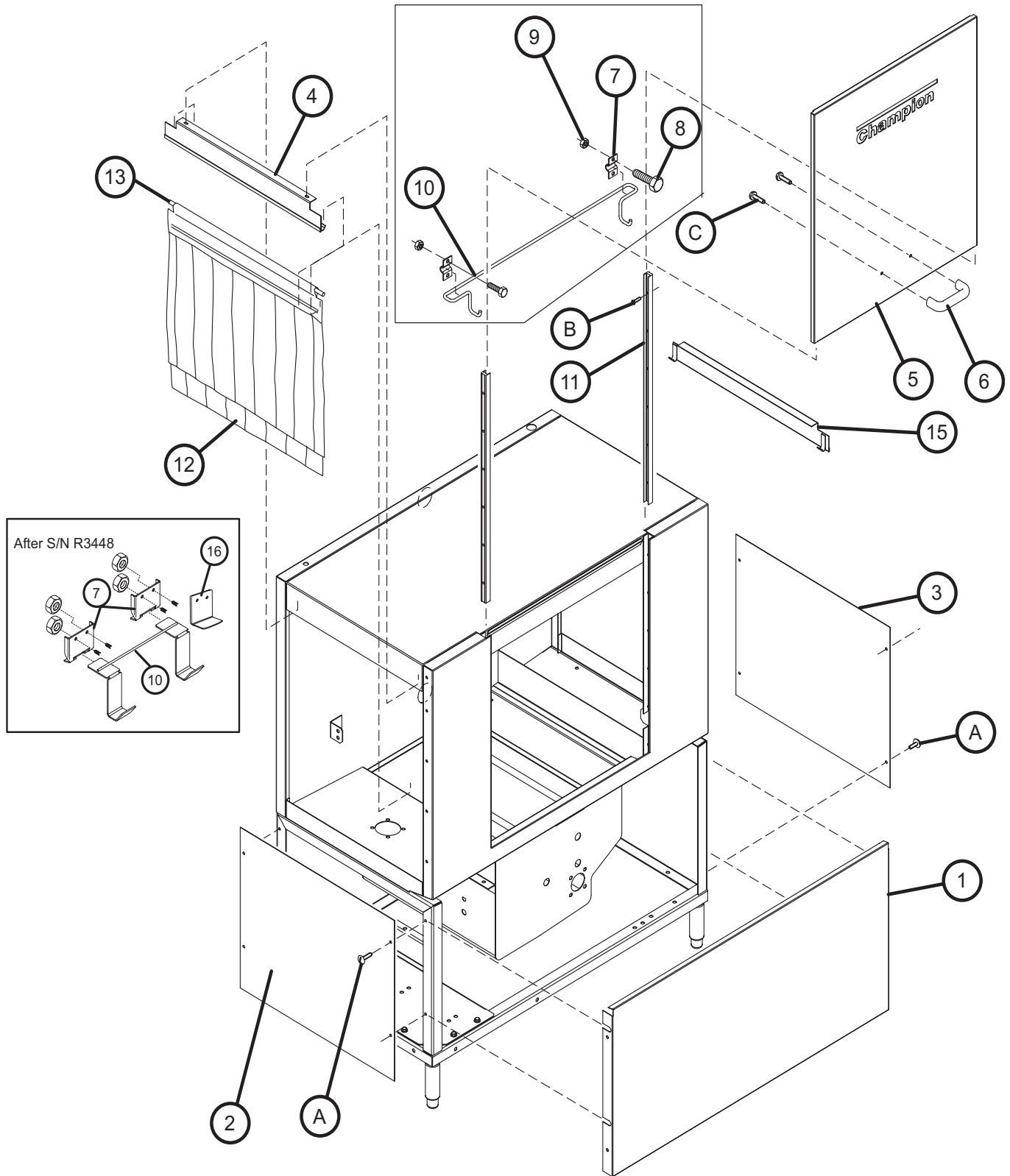


Figure 16- Single Tank Doors, Panels and Miscellaneous

**SINGLE TANK PANELS, DOORS  
AND MISCELLANEOUS**

<b>Fig. 15</b>	<b>Part</b>	<b>Part Description</b>	<b>Qty</b>
<b>Item No.</b>	<b>No.</b>		
1	328974	Panel, 44 Front Perimeter .....	1
2	327889	Panel, 25" Side Perimeter (Load, L-R, No PreWash) .....	1
3	327889	Panel, 25" Side Perimeter (Unload, L-R No Booster) .....	1
4	327988	Entrance/Exit Curtain Baffle .....	2
5	327857	Door .....	1
---	111026	Magnet, Door (Not Shown) .....	1
---	113719	Switch, Reed Aleph (Not Shown) .....	1
6	108966	Door Handle .....	1
7	327887	Bracket, Door Catch Mounting (Prior to S/N R3447) .....	1
7	317345	Bracket, Door Catch (After S/N R3448) .....	2
8	100734	Bolt, 1/4-20 x 1/2 Hex Head .....	1
9	100141	Nut, Grip 1/4-20 SST .....	1
10	206305	Rod, Rack Door Catch (Prior to S/N R3447) .....	1
10	308133	Door Catch Dual Hook (After to S/N R3448) .....	1
11	113691	Guide, U-channel Door .....	2
12	113720	Curtain 24 x 20-1/4 4 Ply (Load and Unload) .....	2
13	108250	Rod, Curtain 5/16 x 24-5/8 .....	3
14	109723	Curtain 24 x 6 -1/4 (Not shown) .....	1
15	328024	Curtain Baffle Rinse .....	1
16	313359	Bracket, Door Stop .....	1
<b>A</b>	<b>Panel Fasteners (Qty per Panel)</b>		
	100007	Screw 10-32 x 3/8 Truss Head .....	4
<b>B</b>	<b>Door Guide Fasteners (Qty per Guide)</b>		
	113486	Screw 8-32 x 5/8 Flat Head SST .....	6
	112431	Rivnut 8/32 Steel Zinc Plated .....	6
<b>C</b>	<b>Door Handle Fasteners</b>		
	100073	Screw 1/4-20 x 1/2 Truss Head .....	2

\* Items 4 and 15 are welded into hood of machine.

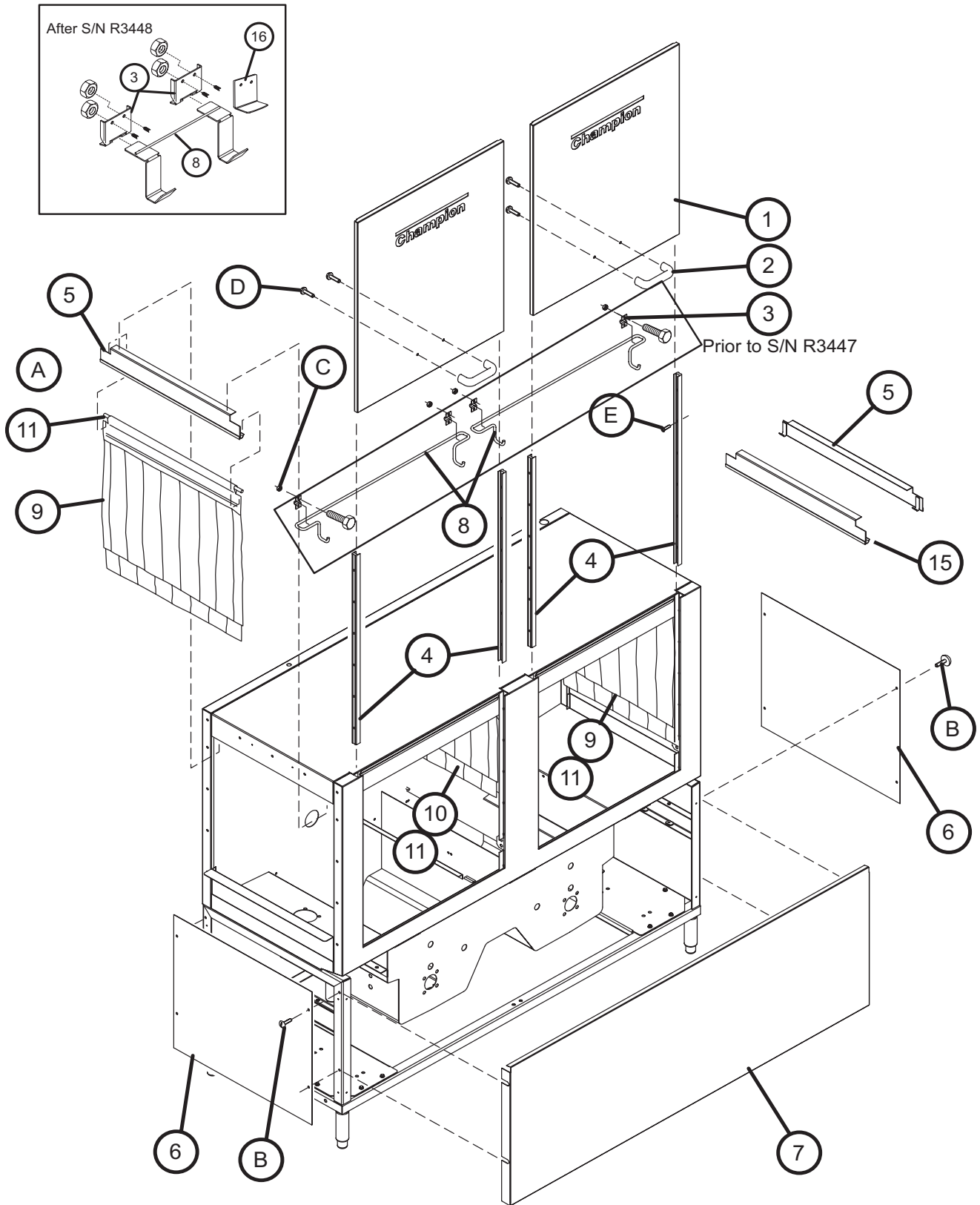


Figure 17- Two Tank Doors, Panels and Miscellaneous

**DOUBLE TANK PANELS, DOORS  
AND MISCELLANEOUS**

Fig. 17 Item No.	Part No.	Part Description	Qty
1	414303	Door Assembly Wash (Includes Magnet, Switch and Item 2)	2
---	111026	Magnet, Door (Not Shown) .....	1
---	113719	Switch, Reed Aleph (Not Shown) .....	1
2	108966	Door Handle .....	2
3	327887	Bracket, Door Catch, Mounting (Prior to S/N R3447) .....	2
3	317345	Bracket, Door Catch (After S/N R3448) .....	4
4	113691	Guide, U-channel Door .....	4
5	328023	Baffle, Rack Curtain End .....	3
6	327889	Panel, 25" Side Perimeter (Load, No Prewash) .....	1
6	327889	Panel, 25" Side Perimeter (Unload, No Booster) .....	1
7	328975	Panel, 64 Front Perimeter .....	1
7	328976	Panel, 84 Front Perimeter Left Hand .....	1
7	328976-01	Panel, 84 Front Perimeter Right Hand .....	1
8	206305	Rod, Rack Door Catch (Prior to S/N R3447) .....	1
8	308133	Door Catch Dual Hook (After to S/N R3448) .....	2
9	113720	Curtain 24 x 20" 4 Ply (Load/Unload) .....	2
10	108043	Curtain 24 x 13-1/4" (Wash/Rinse) .....	1
11	108250	Rod, Curtain 5/16 x 24-5/8" .....	4
12	328030	Table Flange .....	2
13	109723	Curtain 24 x 6-1/4" (Rinse/Final Rinse)(Not Shown) .....	1
14	327851	Door (only) 44 .....	A/R
15	328024	Center, Curtain Baffle (Not Shown) .....	1
16	313359	Bracket, Door Stop .....	2
<b>A</b>	<b>Panel Fasteners (Qty per Panel)</b>		
	100007	Screw 10-32 x 3/8 Truss Head .....	4
<b>B</b>	<b>Door Guide Fasteners (Qty per Guide)</b>		
	113486	Screw 8-32 x 5/8 Flat Head SST .....	6
	112431	Rivnut 8/32 Steel Zinc Plated .....	6
<b>C</b>	<b>Door Handle Fasteners</b>		
	100073	Screw 1/4-20 x 1/2 Truss Head .....	2

**\* Items 5 and 15 are welded into hood of machine.**

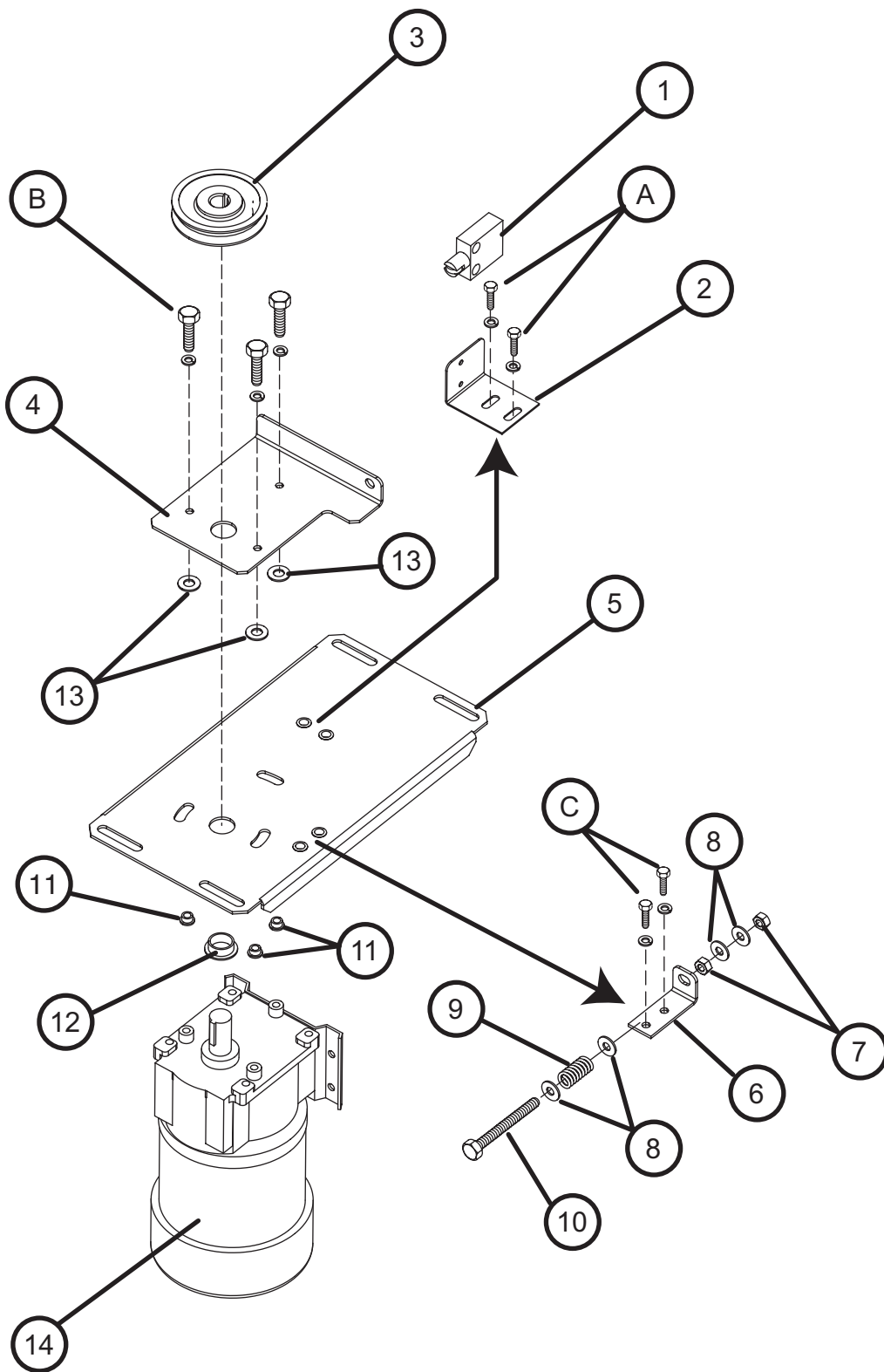


Figure 18- Drive Motor Assembly

## DRIVE MOTOR ASSEMBLY

<b>Fig. 18</b> <b>Item No.</b>	<b>Part</b> <b>No.</b>	<b>Part Description</b>	<b>Qty</b>
1	0509199	Drive Motor Switch .....	1
2	327918	Bracket, Motor Switch Mounting .....	1
3	103166	Sheave AK 39 5/8 Bore (44) .....	1
3	113893	Sheave AK 51 5/8 Bore (64) .....	1
4	327916	Plate, Drive Motor Mounting .....	1
5	327920	Plate, 44 Motor Assy Mounting .....	1
5	327917	Plate, 64 Motor Assy Mounting .....	1
6	327919	Bracket, Motor Spring Mounting .....	1
7	100154	Hex Nut Plain 5/16-18 SST .....	2
8	102376	Washer, Flat 5/16 x 3/4 x .06 SST .....	4
9	113702	Spring 0.6OD x 0.095 Wire x 1.5 Lg .....	1
10	113704	Screw, 5/16 x 3-1/2 Hex Head SST .....	1
11	113700	Bushing 3/8 x 3/4 x 1/16 Thrust Bronze .....	3
12	113703	Bushing, 3/4 x 7/8 x 3/8 x 1-1/8 Flg .....	1
13	113701	Bushing 1/4 x 3/8 x 1/2 x 1/16 Flg Bronze .....	1
14	113732	Motor, Gear 1/6HP 3PH .....	1
14	113679	Motor, Gear 1/6HP 1PH .....	1
<b>A Switch Plate Fasteners</b>			
	100734	Bolt 1/4-20 x 1/2 Hex Head SST .....	2
	106482	Washer Lock 1/4 Split .....	2
	112433	Rivnut, 1/4-20 Steel .....	2
<b>B Drive Motor Mounting Plate Fasteners</b>			
	100736	Bolt 1/4-20 x 3/4 Hex Head .....	3
	106482	Washer Lock 1/4 Split .....	3
<b>C Spring Bracket Fasteners</b>			
	100734	Bolt 1/4-20 x 1/2 Hex Head SST .....	2
	106482	Washer Lock 1/4 Split .....	2
	112433	Rivnut, 1/4-20 Steel .....	

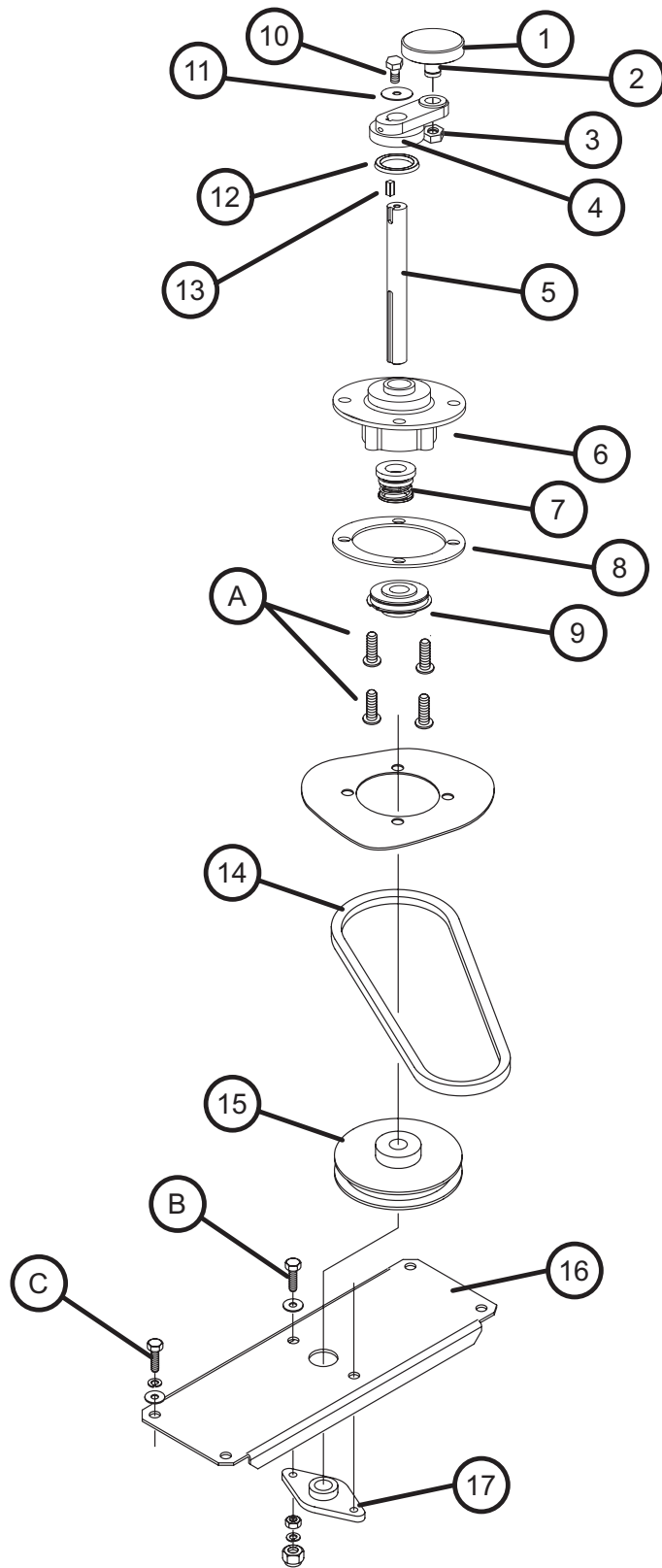


Figure 19- Drive Assembly

## DRIVE ASSEMBLY

<b>Fig. 19</b>	<b>Part</b>		
<b>Item No.</b>	<b>No.</b>	<b>Part Description</b>	<b>Qty</b>
1	202381	Roller Crosshead .....	1
2	100868	Roller Stud Crosshead .....	1
3	107089	Nut Jam 1/2-13 .....	1
4	206300	Crank, Rack Arm .....	1
5	206301	Shaft 5/8 Diameter 8-3/8 LG .....	1
6	206302	Housing, Bearing/Seal .....	1
7	102244	Seal 5/8" .....	1
8	206303	Gasket/Bearing Seal .....	1
9	100382	Bearing Jaf #EK104-10 .....	1
10	100007	Screw, 10-32 x 3/8 Truss Head .....	1
11	104925	Washer 1/4 x 1 x 16 Gauge .....	1
12	103180	Wiper Ring .....	1
13	104916	Key 3/16 x 3/16 x 3/4 SST .....	1
14	100794	V-belt 4L 310 .....	1
15	113892	Sheave AK 59-5/8 Bore .....	1
16	327924	Bracket, 44 Drive Bearing Mounting .....	1
17	113860	Bearing, Sealed 5/8 Bore .....	1
<b>A</b>	<b>Bearing Housing Fasteners</b>		
	104923	Screw 1/4-20 x 3/8 Round Head .....	4
	Mounted to Inside of Tank		
	100153	Bolt 3/8-16 x 1 Hex Head .....	4
	104618	Washer 3/8 x 7/8 x 1/16 SST .....	4
	109010	Nut Grip 3/8 w/Nylon Insert .....	4
<b>B</b>	<b>Bearing Fasteners</b>		
	100739	Bolt 5/16-18 x 3/4 Hex Head SST .....	2
	100154	Nut Plain 5/16-18 .....	2
	106013	Washer Lock 5/16 Split .....	2
	109009	Nut Grip 5/16 w/Nylon Insert .....	2
<b>C</b>	<b>Drive Bearing Bracket Fasteners</b>		
	100739	Bolt 5/16-18 x 3/4 Hex Head SST .....	4
	106013	Washer Lock 5/16-18 Split .....	4
	102376	Washer 5/16 x 3/4 x 1/16 .....	4

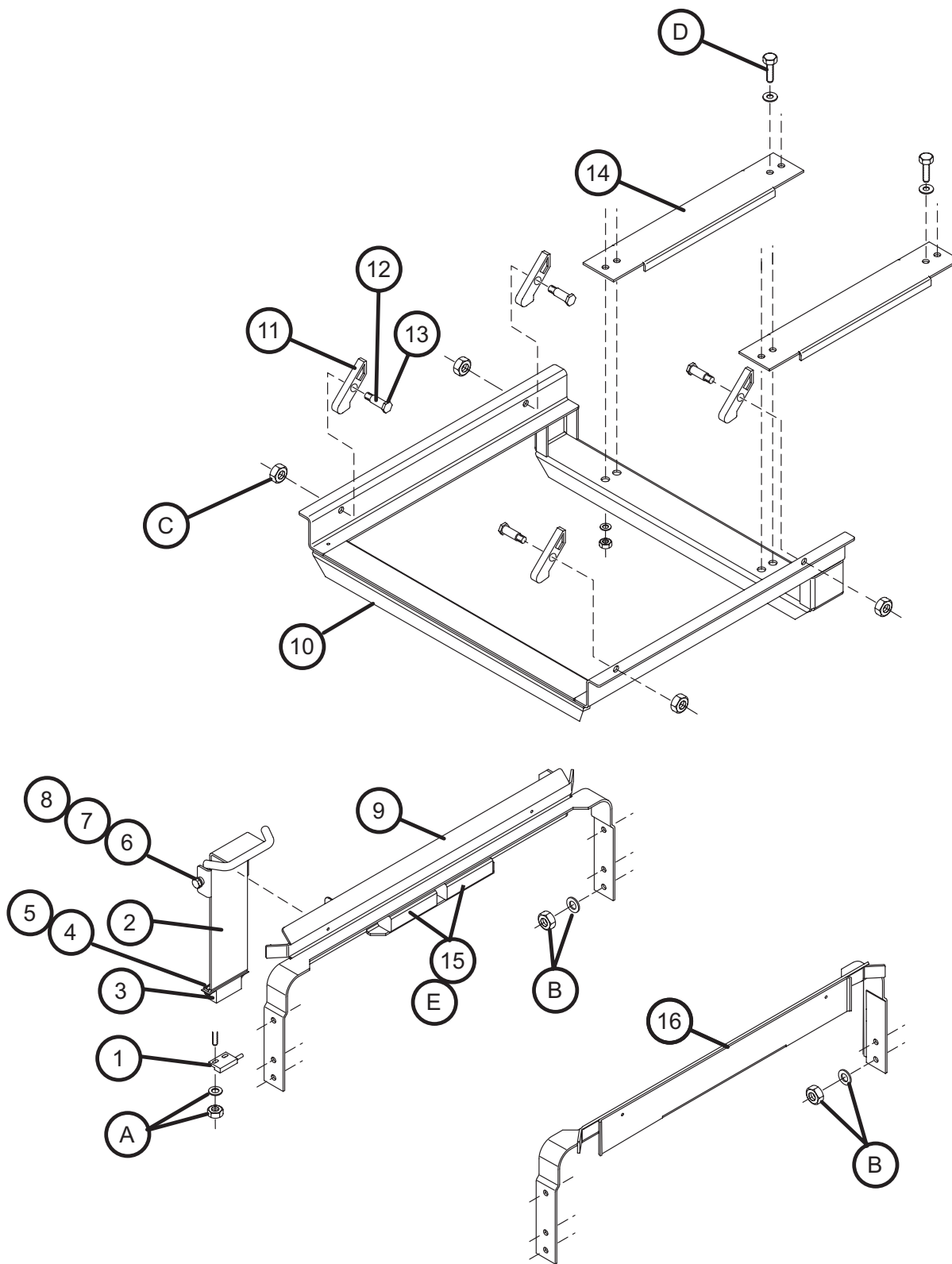


Figure 20- Prewash Track and Cradle Assembly

**PREWASH TRACK AND  
CRADLE ASSEMBLY**

<b>Fig. 20 Item No.</b>	<b>Part No.</b>	<b>Part Description</b>	<b>Qty</b>
1	113719	Switch, Reed Aleph .....	1
2	328045	Switch, PW Idle .....	1
3	111026	Magnet, SS .....	1
4	100764	Screw, 6-32 x 1/2 Round Head SST .....	2
5	108954	Nut, Grip 6-32 Hex Head W/Nylon Insert .....	2
6	106482	Washer Lock 1/4 Split .....	2
7	327833	Pin Idle Pump Switch .....	1
8	100736	Screw, 1/4-20 x 3/4 Hex Head .....	2
9	328041	Track, 22" PW Rear .....	1
10	328043	Cradle, 22" PW .....	1
11	204513	Pawl, NG Cradle .....	4
12	206345	Bushing, Rack Cradle Pawl .....	4
13	113692	Screw, 3/8 x .875 x 5/15-18 .....	4
14	328450	Bracket, Cradle bridge Single Tank/22PW .....	2
14	328613	Bracket, Cradle Bridge Two Tank/36PW .....	2
15	206343	Bearing, Rack Cradle Slide .....	4
16	327955	Track, 22" PW Front .....	1
<b>B</b>	<b>Track Fasteners (Qty per Track)</b>		
	112318	.....	4
	100141	Nut, Grip 1/4-20 .....	4
<b>C</b>	<b>Pawl Fasteners (Qty per Pawl)</b>		
	100142	Nut, Grip 5/16-18 .....	1
<b>E</b>	<b>Slide Bearing Fasteners (Qty per Slide)</b>		
	100736	Bolt 1/4-20 x 3/4 Hex Head SST .....	2
	106482	Washer Lock 1/4-20 Split .....	2

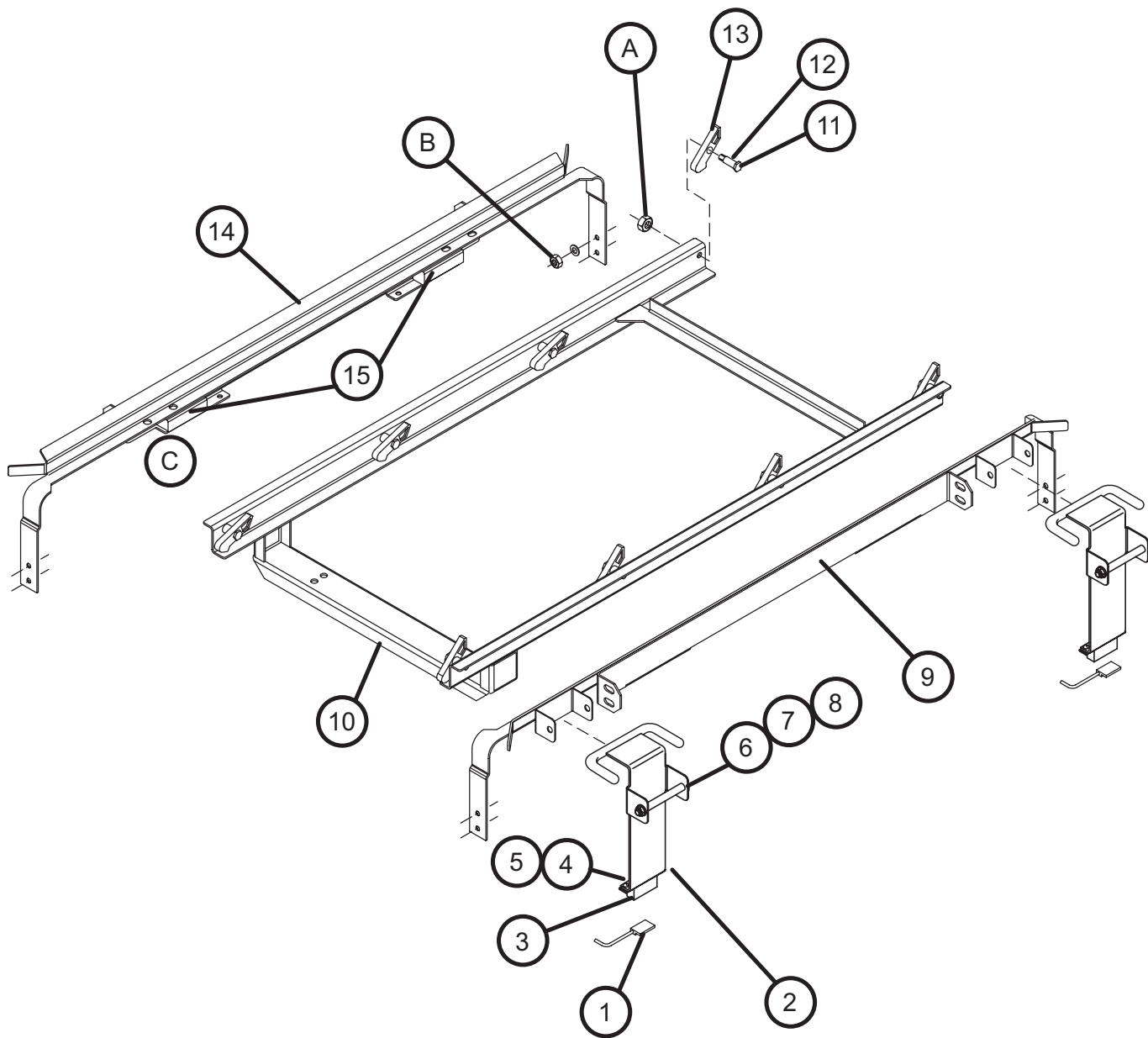


Figure 21- Single Tank Track and Cradle Assembly

**SINGLE TANK TRACK  
AND CRADLE ASSEMBLY**

<b>Fig. 21 Item No.</b>	<b>Part No.</b>	<b>Part Description</b>	<b>Qty</b>
1	113719	Switch, Reed Aleph .....	1
2	414344	Switch, Idle Assembly (Includes Items 3-8) .....	1
3	111026	Magnet, SS .....	1
4	100764	Screw, 6-32 x 1/2 Round Head SST .....	2
5	108954	Nut, Grip 6-32 Hex Head W/Nylon Insert .....	2
6	106482	Washer Lock 1/4 Split .....	2
7	327833	Pin Idle Pump Switch .....	1
8	100736	Screw, 1/4-20 x 3/4 Hex Head .....	2
9	414370	Track, 44 Front .....	1
10	414307	Cradle, 44 .....	1
11	113692	Screw, 3/8 x .875 x 5/15-18 .....	8
12	206345	Bushing, Rack Cradle Pawl .....	8
13	204513	Pawl, NG Cradle .....	8
14	414357	Track, 44 Rear .....	1
15	206343	Bearing, Rack Cradle Slide .....	4
---	414377	Cradle, 44 Complete (Includes Items 10-13 and A) .....	A/R
<b>A</b>	<b>Pawl Fasteners (Qty per Pawl)</b>		
	100142	Nut, Grip 5/16-18 .....	1
<b>B</b>	<b>Track Fasteners (Qty per Track)</b>		
	112318	.....	4
	100141	Nut, Grip 1/4-20 .....	4
<b>C</b>	<b>Slide Bearing Fasteners (Qty per Slide)</b>		
	100736	Bolt 1/4-20 x 3/4 Hex Head SST .....	2
	106482	Washer Lock 1/4-20 Split .....	2

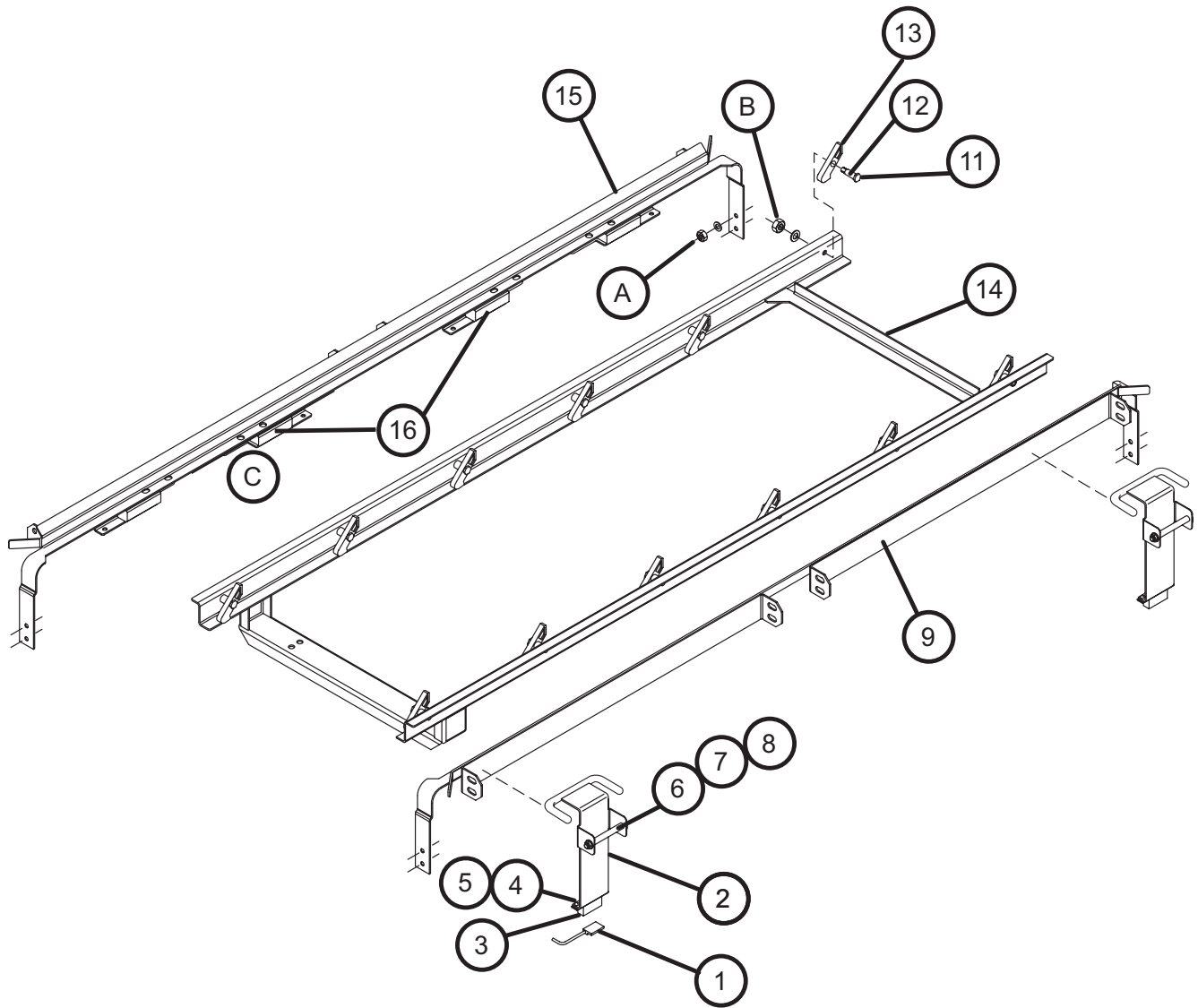


Figure 22- Two Tank Track and Cradle Assembly

**TWO TANK TRACK  
AND CRADLE ASSEMBLY**

<b>Fig. 22</b>	<b>Part</b>	<b>Part Description</b>	<b>Qty</b>
<b>Item No.</b>	<b>No.</b>		
1	113719	Switch, Reed Aleph .....	1
2	414344	Switch, Idle Assembly (Includes Items 3-8) .....	1
3	111026	Magnet, SS .....	1
4	100764	Screw, 6-32 x 1/2 Round Head SST .....	2
5	108954	Nut, Grip 6-32 Hex Head W/Nylon Insert .....	2
6	106482	Washer Lock 1/4 Split .....	2
7	327833	Pin Idle Pump Switch .....	1
8	100736	Screw, 1/4-20 x 3/4 Hex Head .....	2
9	414372	Track, 64 Front .....	1
10	414378	Cradle, 64 Assembly (Includes Items 11-14) .....	1
11	113692	Screw, 3/8 x .875 x 5/15-18 .....	12
12	206345	Bushing, Rack Cradle Pawl .....	12
13	204513	Pawl, NG Cradle .....	12
14	414308	Cradle, 64 .....	1
15	414358	Track, 64 Rear .....	1
16	206343	Bearing, Rack Cradle Slide .....	8
<b>A</b>	<b>Track Fasteners (Qty per Track)</b>		
	112318	.....	4
	100141	Nut, Grip 1/4-20 .....	4
<b>B</b>	<b>Pawl Fasteners (Qty per Pawl)</b>		
	100142	Nut, Grip 5/16-18 .....	1
<b>C</b>	<b>Slide Bearing Fasteners (Qty per Slide)</b>		
	100736	Bolt 1/4-20 x 3/4 Hex Head SST .....	2
	106482	Washer Lock 1/4-20 Split .....	2

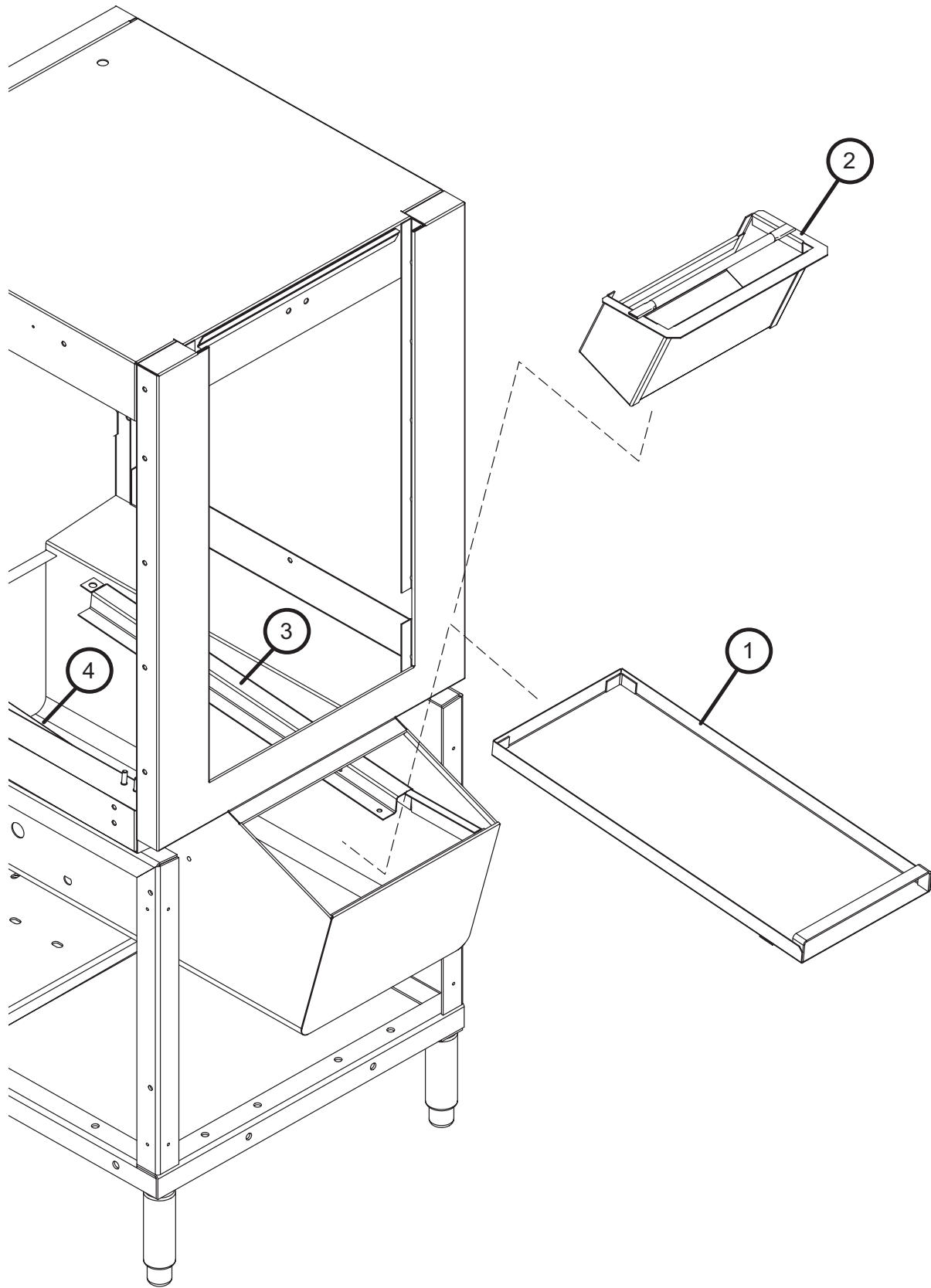


Figure 23- Prewash Screens

---

**PREWASH SCRAP SCREENS**

<b>Fig. 23</b>	<b>Part</b>		
<b>Item No.</b>	<b>No.</b>	<b>Part Description</b>	<b>Qty</b>
1	328958	Screen Assy .....	1
2	328959	Refuse Basket .....	1
3	328044	Support, PW RH Screen .....	1
4	328042	Support, PW LH Screen .....	1
5	328006	Support, PW Rear Screen (Not Shown).....	1

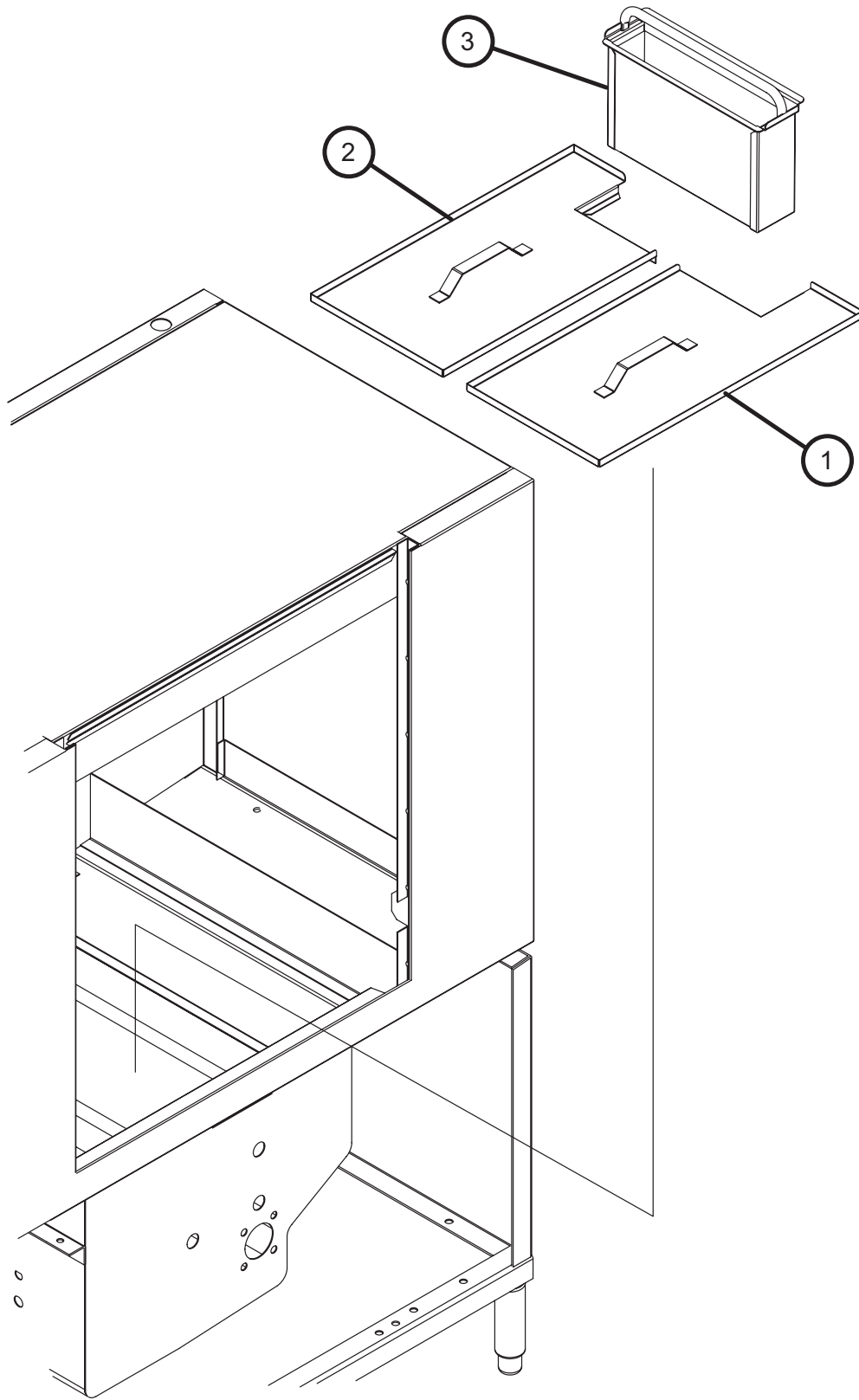


Figure 24- Single Tank Scrap Screens

SINGLE TANK SCRAP SCREENS

<b>Fig. 24</b>	<b>Part</b>		
<b>Item No.</b>	<b>No.</b>	<b>Part Description</b>	<b>Qty</b>
1	414328	Screen, 44 L-R Front .....	1
2	414329	Screen, 44 L-R Rear .....	1
3	414300	Basket, Rack .....	1
4	327888	Support, Screen Middle (Not Shown) .....	1

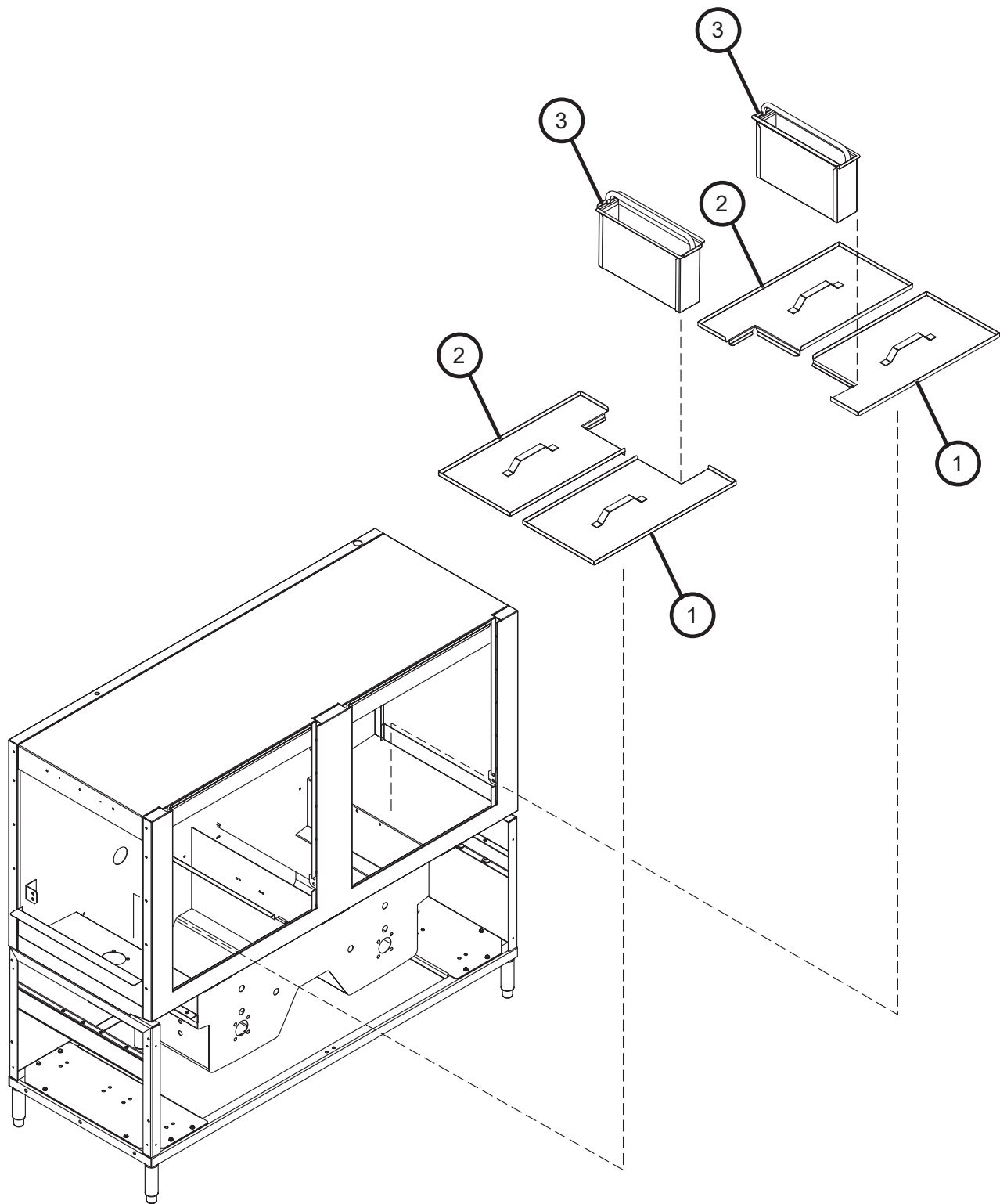


Figure 22 -Two Tank Scrap Screens

TWO TANK SCRAP SCREENS

<b>Fig. 22</b>	<b>Part</b>		
<b>Item No.</b>	<b>No.</b>	<b>Part Description</b>	<b>Qty</b>
1	414328	Screen, 44 L-R Front .....	1
2	414329	Screen, 44 L-R Rear .....	1
3	414300	Basket, Rack .....	1
4	327888	Support, Screen Middle (Not Shown) .....	1

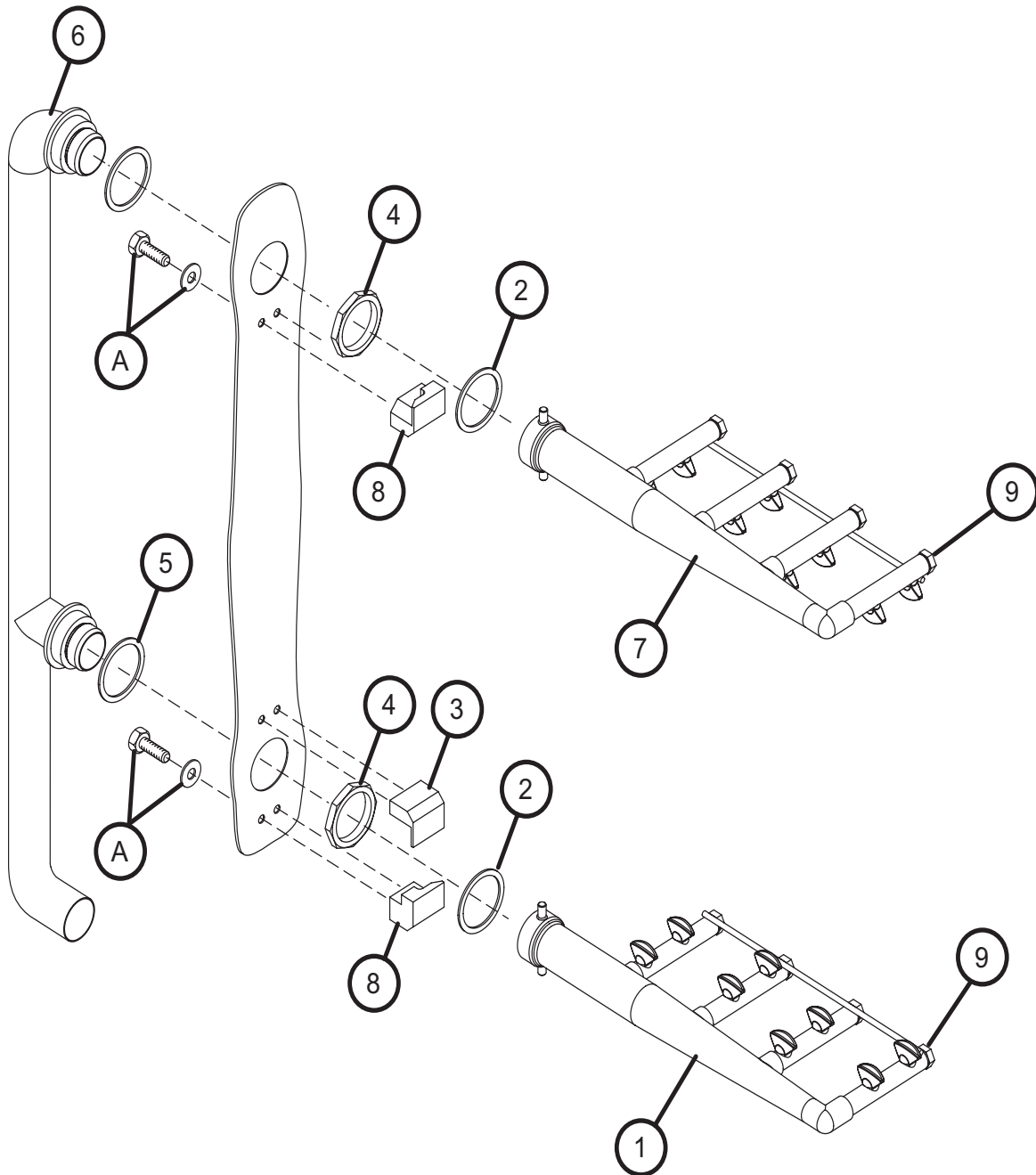


Figure 26- Prewash Spray Arms

## PREWASH SPRAY ARMS

<b>Fig. 26</b>	<b>Part</b>		
<b>Item No.</b>	<b>No.</b>	<b>Part Description</b>	<b>Qty</b>
1	414293	Wash Manifold Assembly 6" Lower (Includes Item 9).....	1
2	113723	O-ring,1.75 ID .....	1
3	206355	Lock, CW Wash Pin .....	4
4	113540	Locknut 2NPT SST .....	2
5	113542	Gasket, Flat EDPM 2-3/8 ID .....	2
6	328028	Standpipe, 22" PW .....	1
7	414292	Wash Manifold Assy 6" Upper.....	1
8	206354	Lock, CCW Wash Pin .....	2
9	113555	Plug, Wash Arm E-Series (qty per arm) (Included in Item 1).....	4
<b>A</b>	<b>Wash Arm Lock Fasteners (Qty per Arm)</b>		
	100739	Bolt 5/16-18 x 3/4 Hex Head .....	4
	106013	Washer Lock 5/16 Split .....	4
	102376	Washer 5/16 x 3/4 x 1/16 .....	4

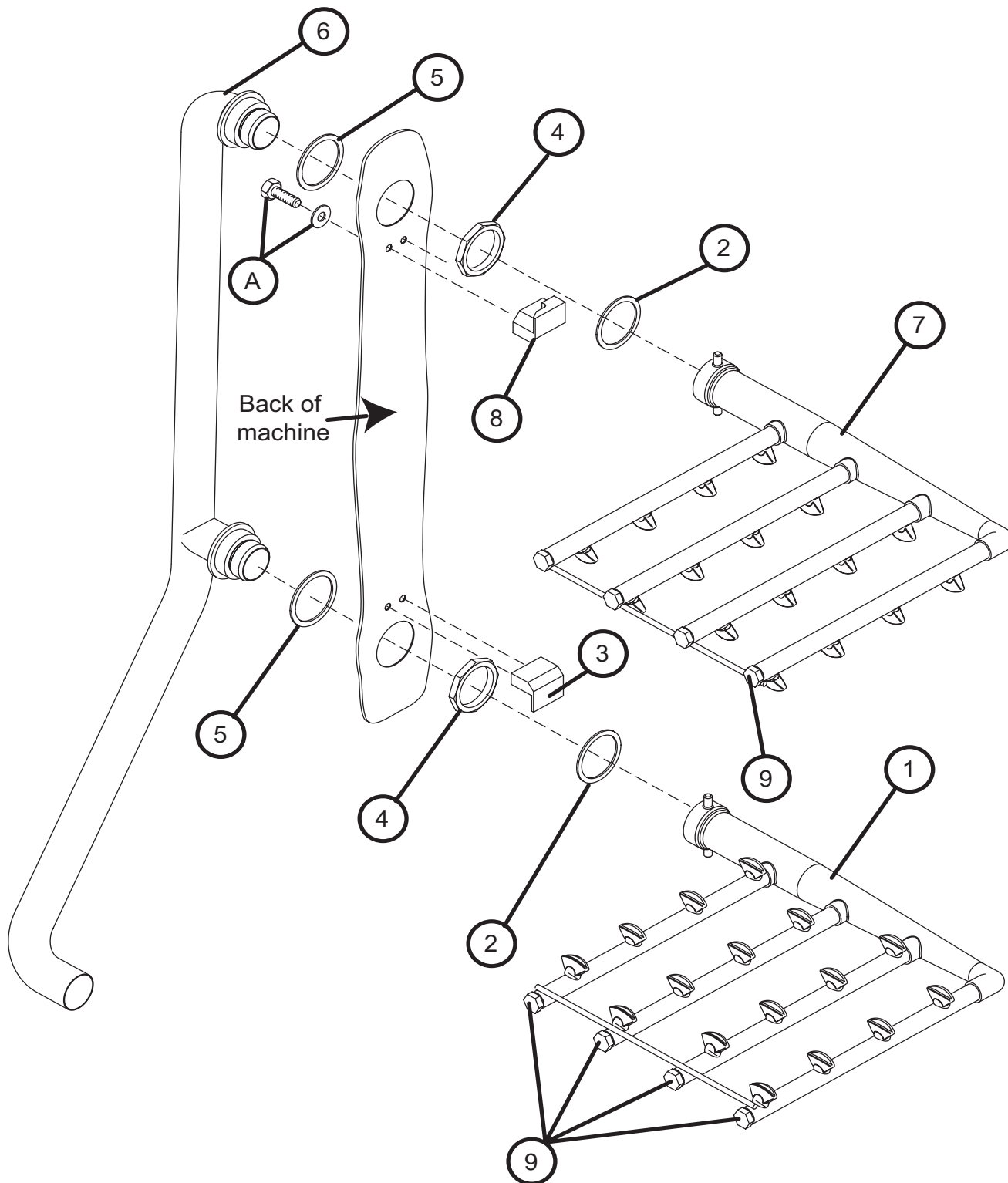


Figure 27- Single Tank Wash Arms  
(Left to Right Shown)

## SINGLE TANK WASH ARMS

<b>Fig. 27</b>	<b>Part</b>		
<b>Item No.</b>	<b>No.</b>	<b>Part Description</b>	<b>Qty</b>
1	414291	Wash Manifold Assembly 10" 15° Lower (L-R) (Includes Item 9)	1
1	414290	Wash Manifold Assembly 10" 15° Lower (R-L) (Includes Item 9)	1
2	113723	O-ring,1.75 ID .....	2
3	206354	Lock, CCW Wash Pin .....	1
4	113540	Locknut 2NPT SST .....	2
5	113542	Gasket, Flat EDPM 2-3/8 ID .....	2
6	414317	Standpipe, L-R 44 .....	1
6	327993	Standpipe, R-L 44 .....	1
7	414289	Wash Manifold Assy 14" Straight Upper (L-R) .....	1
7	414288	Wash Manifold Assy 14" Straight Upper (R-L) .....	1
8	206355	Lock, CW Wash Pin .....	1
9	113555	Plug, Wash Arm E-Series (qty per arm)(Included In Items 1 & 2) ...	4
<b>A</b>	<b>Wash Arm Lock Fasteners (Qty per Arm)</b>		
	100739	Bolt 5/16-18 x 3/4 Hex Head .....	4
	106013	Washer Lock 5/16 Split .....	4
	102376	Washer 5/16 x 3/4 x 1/16 .....	4

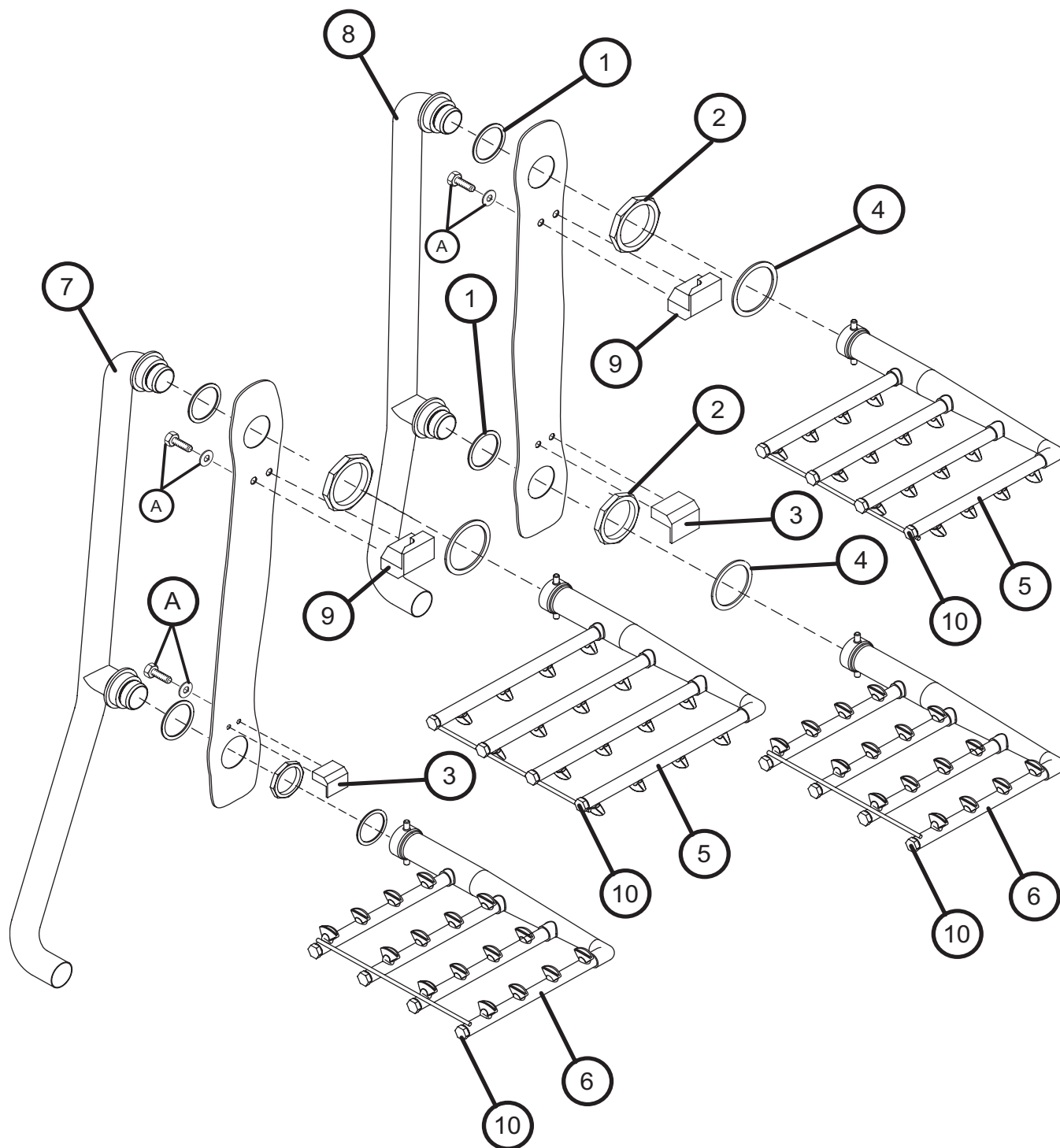


Figure 28- Two Tank Wash & Rinse Spray Arms  
(Left to Right Shown)

## TWO TANK WASH AND RINSE ARMS

<b>Fig. 28</b>	<b>Part</b>		
<b>Item No.</b>	<b>No.</b>	<b>Part Description</b>	<b>Qty</b>
1	113542	Gasket, Flat EDPM 2-3/8 ID .....	4
2	113540	Locknut 2NPT SST .....	4
3	206354	Lock, CCW Wash Pin .....	1
4	113723	O-ring, 1.75 ID .....	2
5	414289	Wash Manifold Assembly 14" Straight Upper (L-R)(Includes Item 9)	2
5	414288	Wash Manifold Assembly 14" Straight Upper (R-L)(Includes Item 9)	2
6	414291	Wash Manifold Assembly 10" 15° Lower (L-R) .....	2
6	414290	Wash Manifold Assembly 10" 15° Lower (R-L) .....	2
7	414318	Standpipe 64 L-R Wash .....	1
7	328443	Standpipe 64 R-L Wash .....	1
8	414319	Standpipe 64 L-R Rinse .....	1
	328445	Standpipe 64 R-L Rinse .....	1
9	206355	Lock, CW Wash Pin .....	2
10	113555	Plug, Wash Arm E-Series (qty per arm) (Included in Items 5 & 6)	4
<b>A</b>	<b>Wash Arm Lock Fasteners (Qty per Arm)</b>		
	100739	Bolt 5/16-18 x 3/4 Hex Head .....	4
	106013	Washer Lock 5/16 Split .....	4
	102376	Washer 5/16 x 3/4 x 1/16 .....	4

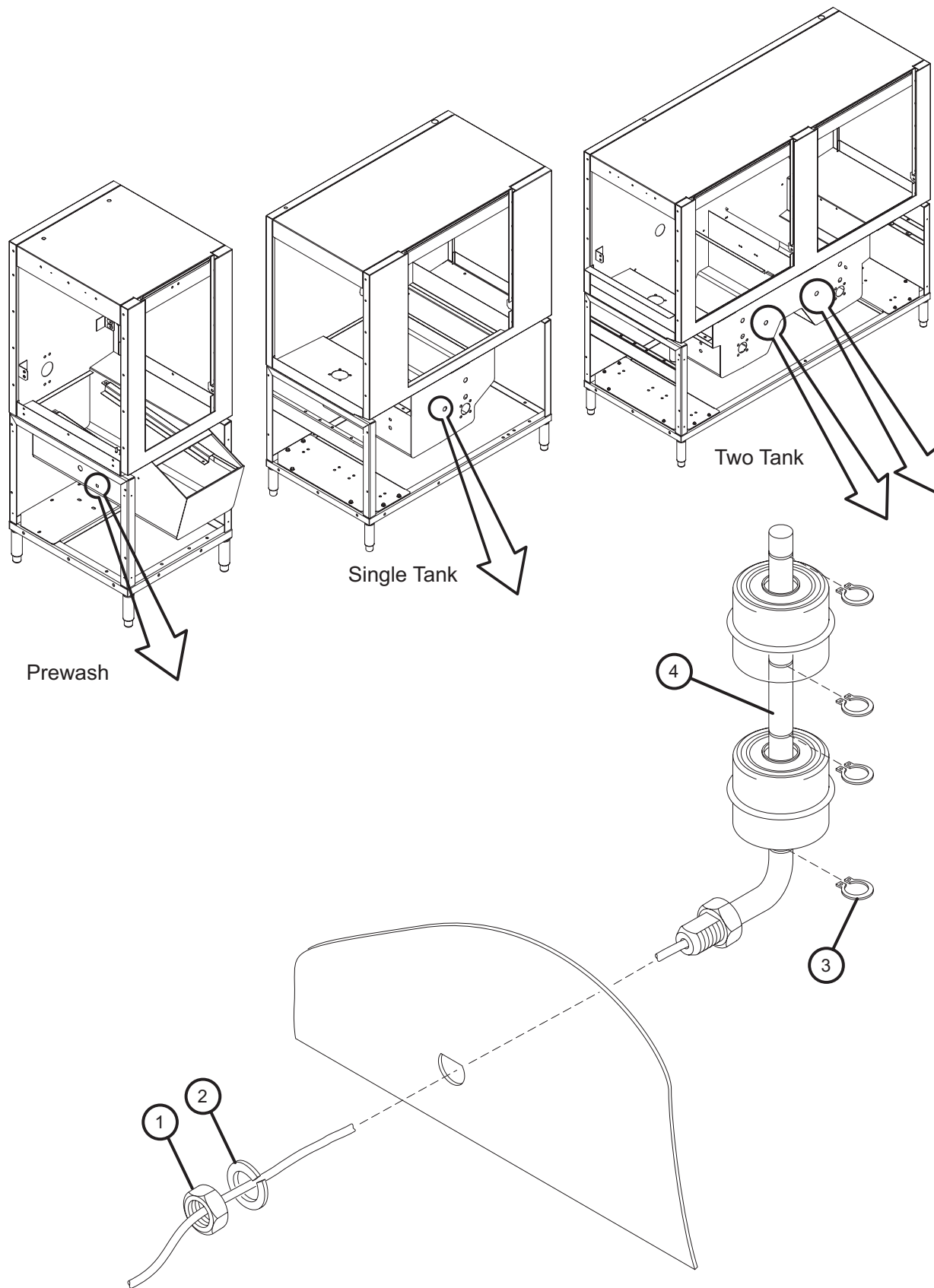


Figure 29- Float Switch

## FLOAT SWITCH

<b>Fig. 29</b>	<b>Part</b>		
<b>Item No.</b>	<b>No.</b>	<b>Part Description</b>	<b>Qty</b>
1	104584	Nut, Plain 1/2-13 .....	1
2	107589	Washer, Flat 1/2" .....	1
3	111151	C-Clip .....	A/R
4	110854	Float Switch Dual (Prewash) .....	1
	113291	Float Switch Dual W/R (44) .....	1
	113291	Float Switch Dual W/R (64) .....	2
--	110750	Gasket, Float Switch (Not Shown) .....	A/R

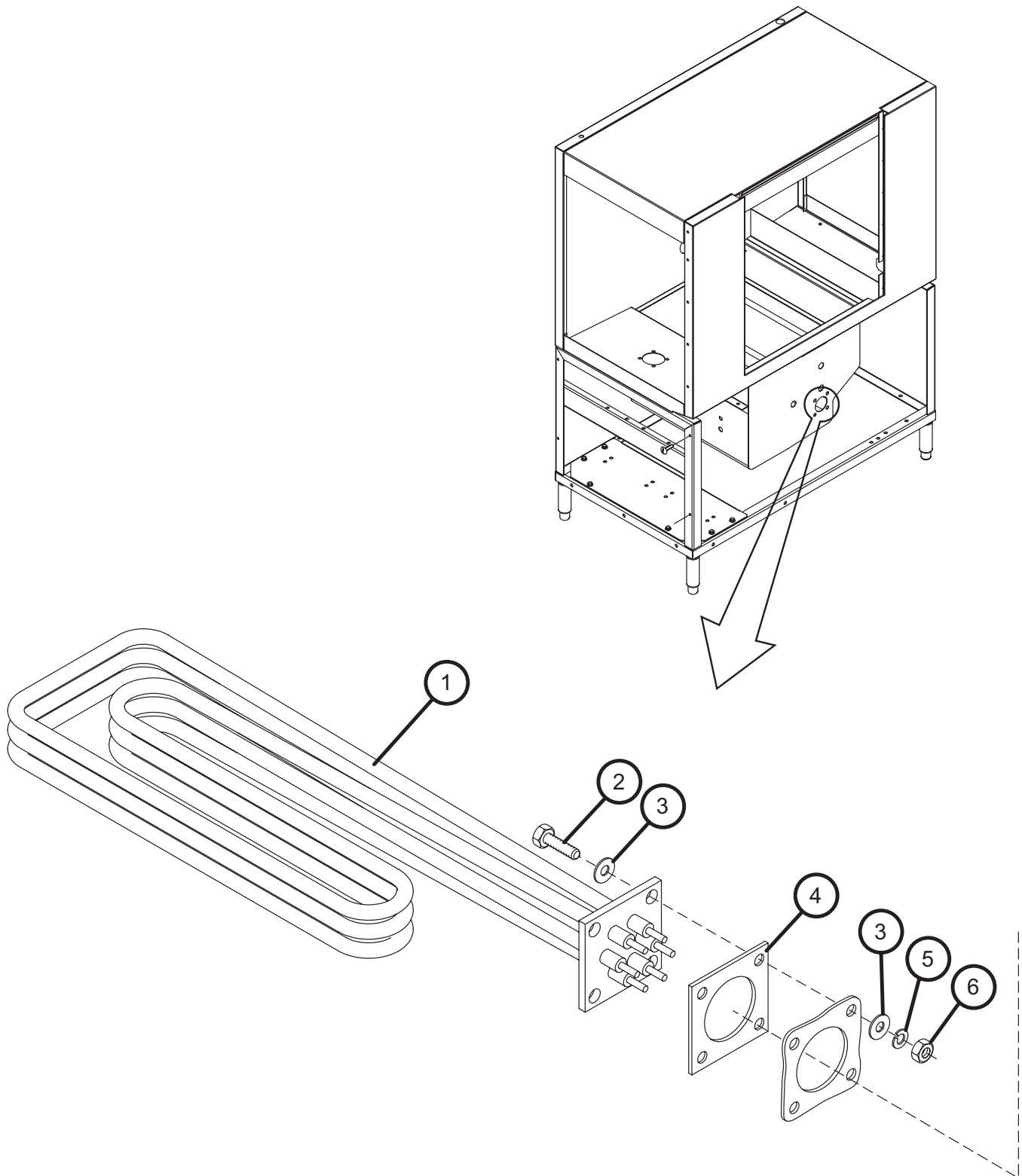


Figure 30- Single Tank Electric Heat

## SINGLE TANK ELECTRIC HEAT

<b>Fig. 30</b>	<b>Part</b>		
<b>Item No.</b>	<b>No.</b>	<b>Part Description</b>	<b>Qty</b>
1	113516	Heater 15/18KW 208V,380V .....	1
	113517	Heater 15/16.3KW 230/240V, 400/415V .....	1
	113518	Heater 15/16.3KW 460/480V .....	1
	113519	Heater 15KW 575V .....	1
2	100153	Bolt, 3/18-16 x 1 Hex Head .....	4
3	104618	Washer 3/8 x 7/8 x 1/16 SST .....	8
4	108345	Gasket 3 x 3 x 1/8" 2" Hole .....	1
5	106407	Washer Lock 3/8 Split .....	4
6	100140	Nut Plain 3/8-16 .....	4

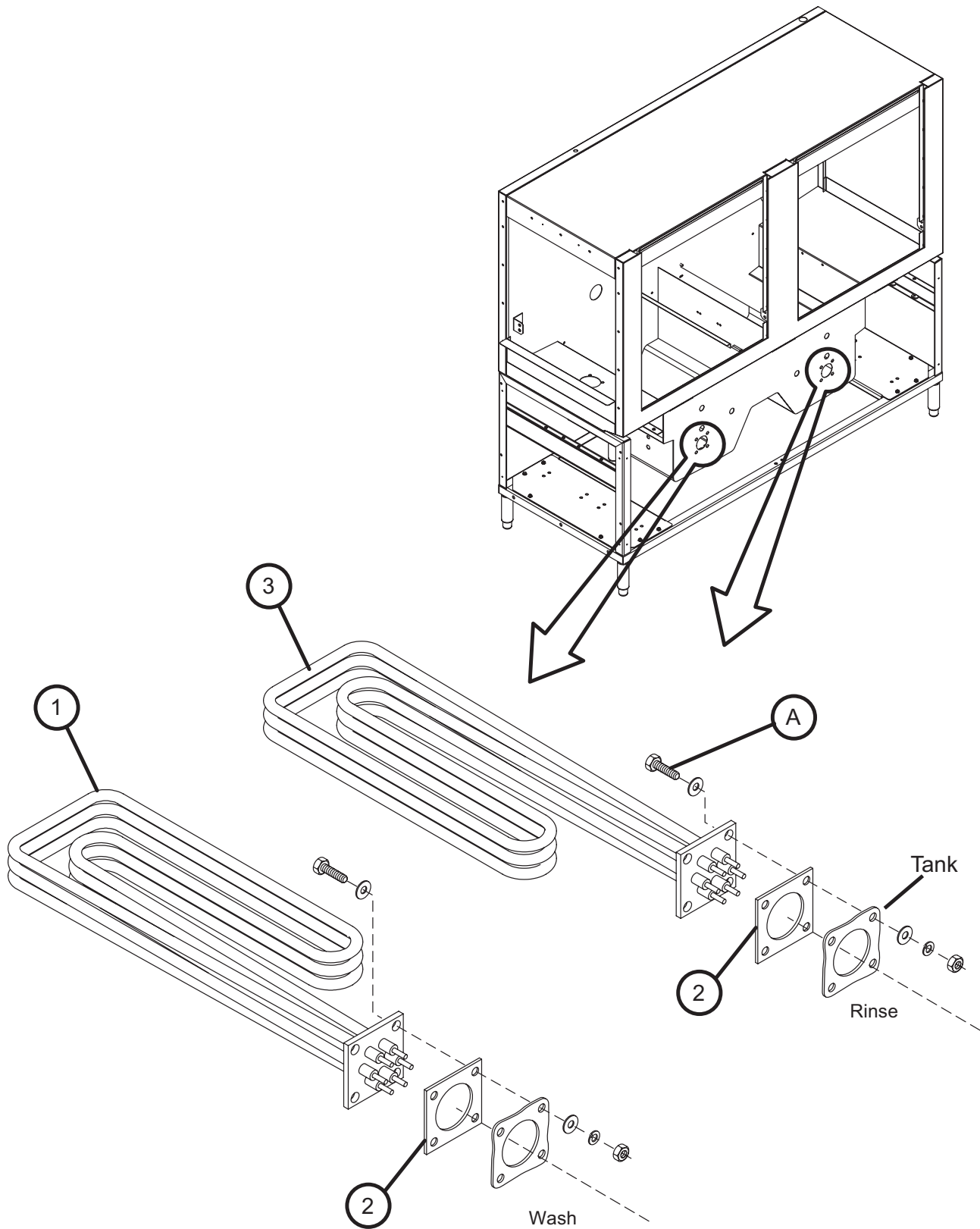


Figure 31- Two Tank Electric Heat

## TWO TANK ELECTRIC HEAT

<b>Fig. 31</b>	<b>Part</b>		
<b>Item No.</b>	<b>No.</b>	<b>Part Description</b>	<b>Qty</b>
1	113516	Heater 15/18KW 200/220V (Wash) .....	1
	113517	Heater 15/16.3KW 230/240V(Wash) .....	1
	113518	Heater 15/16.3KW 460/480V (Wash) .....	1
	113519	Heater 15KW 575V (Wash) .....	1
2	108345	Gasket 3 x 3 x 1/8" 2" Hole .....	1
3	113804	Heater 10/12.1 KW 200/220V (Rinse) .....	1
	113882	Heater 10/11KW 230/240V (Rinse) .....	1
	113883	Heater 10/11KW 460/480V (Rinse) .....	1
	113884	Heater 10/11KW 575V (Rinse) .....	1
<b>A</b>	<b>Element Fasteners (Qty Per Element)</b>		
	100153	Bolt, 3/18-16 x 1 Hex Head .....	4
	104618	Washer 3/8 x 7/8 x 1/16 SST .....	8
	106407	Washer Lock 3/8 Split .....	4
	100140	Nut Plain 3/8-16 .....	4

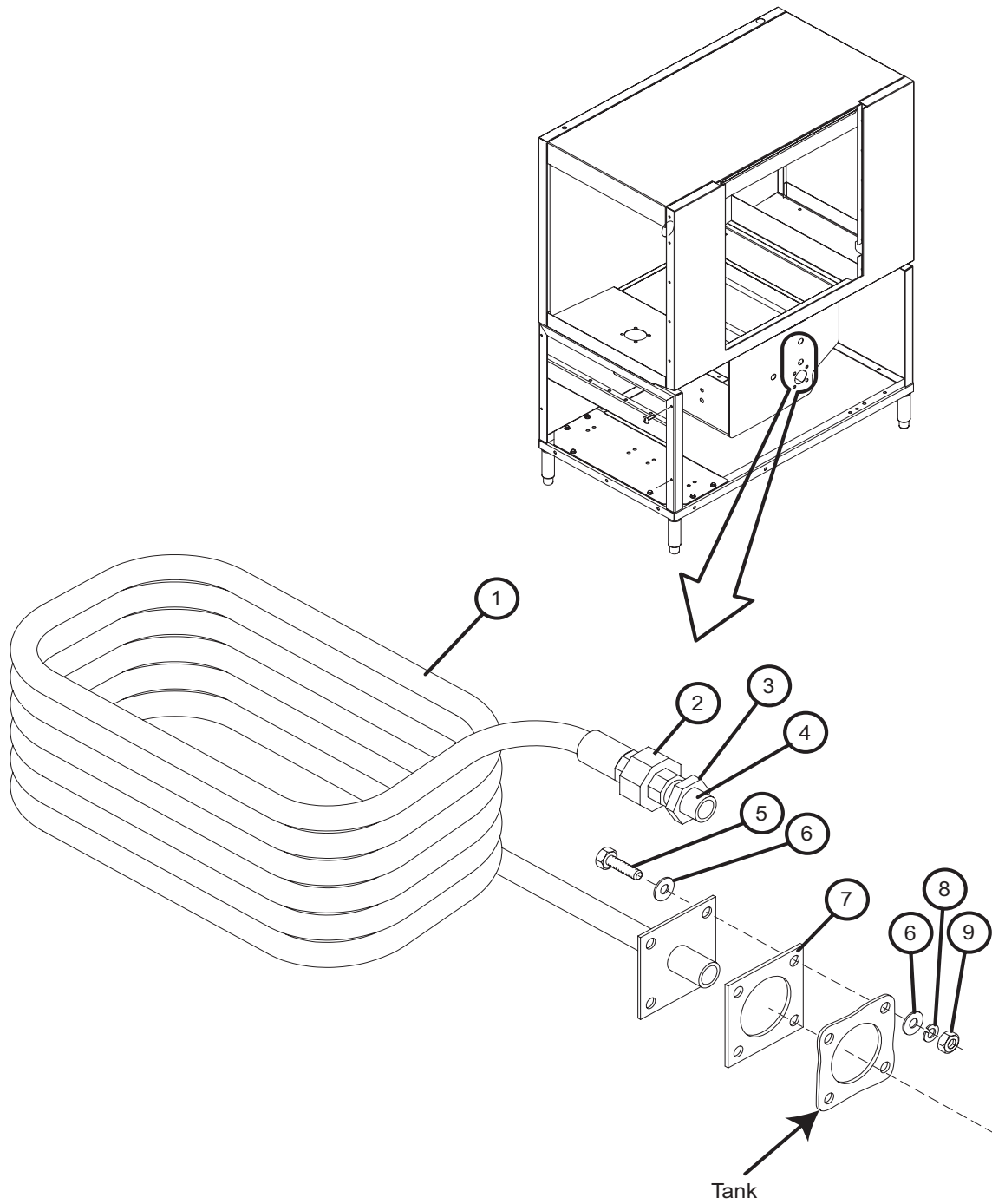


Figure 32- Single Tank Steam Heat

## SINGLE TANK STEAM HEAT

<b>Fig. 32</b> <b>Item No.</b>	<b>Part</b> <b>No.</b>	<b>Part Description</b>	<b>Qty</b>
1	327908	Coil, Steam RH (Shown) .....	1
1	327907	Coil, Steam LH .....	1
2	102554	Union 3/4 SST .....	1
3	100548	Locknut, 3/4NPT SST .....	1
4	113918	Nipple, Rtoe 3/4 x 1-3/4 .....	1
5	100740	Bolt 5/16-18 x 1 Hex Head .....	4
6	102376	Washer 5/16 X 3/4 x 1/16 .....	8
7	108345	Gasket 3 x 3 1/8" 2IN Hole .....	1
8	106013	Washer Lock 5/16 Split .....	4
9	100154	Nut Plain 5/16-18 .....	4

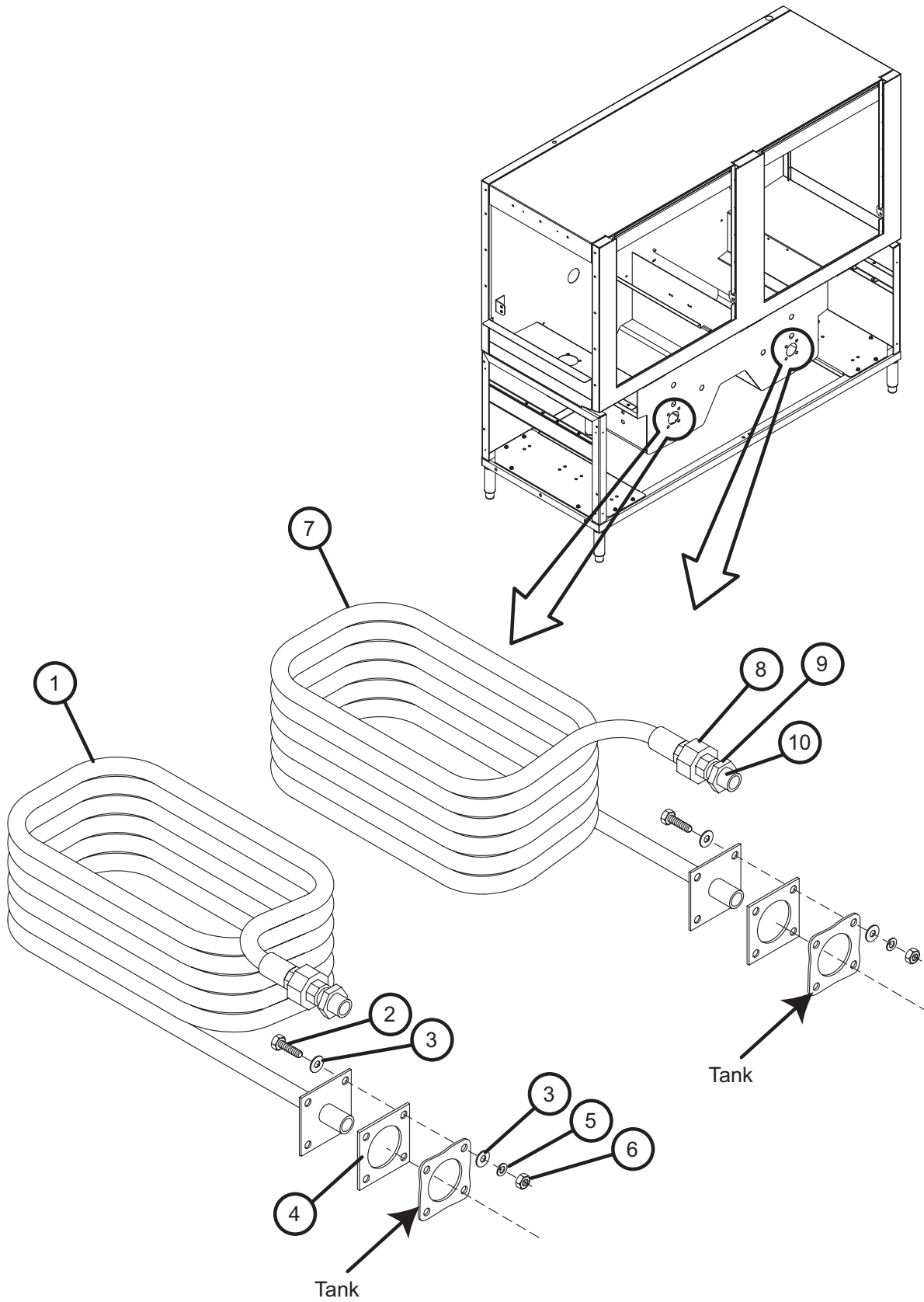


Figure 33- Two Tank Steam Heat

## TWO TANK STEAM HEAT

<b>Fig.33</b>	<b>Part</b>		
<b>Item No.</b>	<b>No.</b>	<b>Part Description</b>	<b>Qty</b>
1	327907	Coil, Steam LH .....	1
2	100740	Bolt 5/16-18 x 1 Hex Head .....	8
3	102376	Washer 5/16 X 3/4 x 1/16 .....	16
4	108345	Gasket 3 x 3 1/8" 2IN Hole .....	2
5	106013	Washer Lock 5/16 Split .....	8
6	100154	Nut Plain 5/16-18 .....	8
7	327908	Coil, Steam RH .....	1
8	102554	Union 3/4 SST .....	2
9	100548	Locknut, 3/4NPT SST .....	2
10	113918	Nipple, Rtoe 3/4 x 1-3/4 .....	2

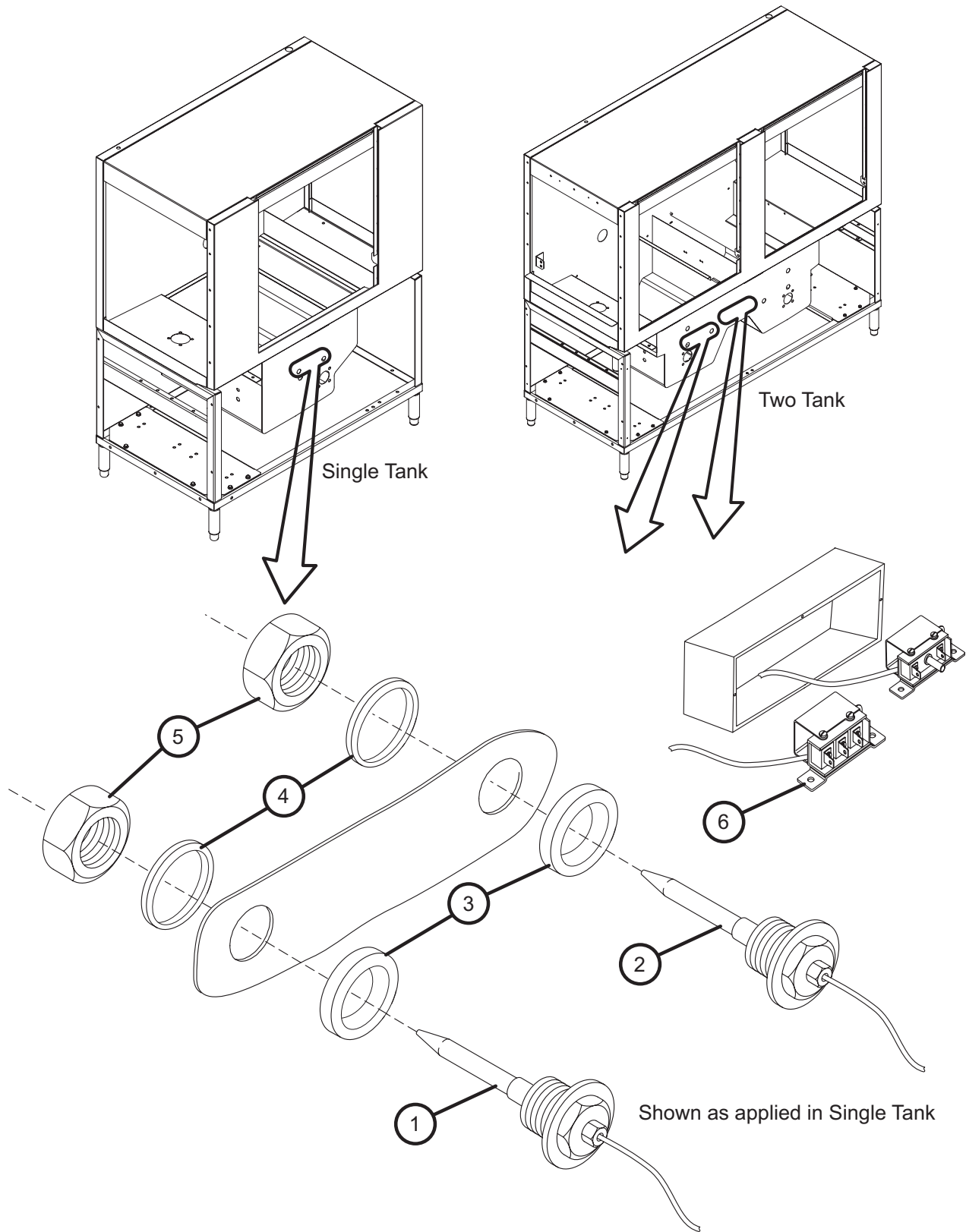


Figure 34- Tank Thermostats

## TANK THERMOSTATS

<b>Fig. 34</b> <b>Item No.</b>	<b>Part</b> <b>No.</b>	<b>Part Description</b>	<b>Qty</b>
1	109069	Thermostat w/capillary (Single) .....	1
	109069	Thermostat w/capillary (Two) .....	2
2	113200	Thermostat, Fixed Hi Limit (Single) .....	1
	113200	Thermostat, Fixed Hi Limit (Two) .....	2
3	201041	Washer 7/8 ID x 1/8 Thk (Single) .....	2
	201041	Washer 7/8 ID x 1/8 Thk (Two) .....	4
4	109034	Gasket. Plug (Single) .....	2
	109034	Gasket. Plug (Two) .....	4
5	100547	Locknut 1-1/2 NPT SST (Single) .....	2
	100547	Locknut 1-1/2 NPT SST (Two) .....	2
6		Thermostat Bracket (Per Thermostat) .....	1
7	323430	Bracket, Thermostat (Not Shown)(Per Box) .....	1

**\*Hi-limit is always located over the element inside of the tank.**

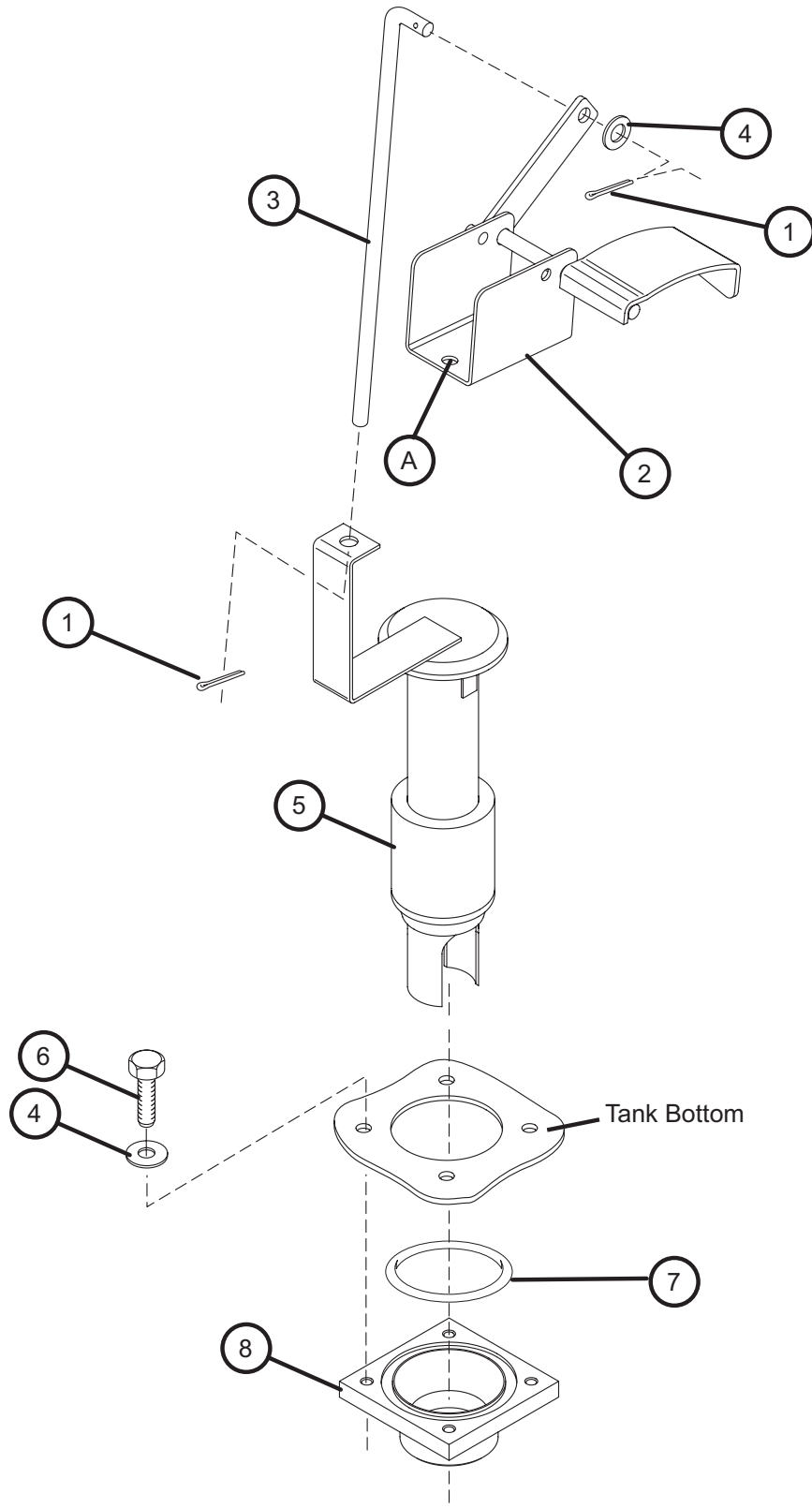


Figure 35- Prewash Overflow Assembly

**PREWASH OVERFLOW ASSEMBLY**

<b>Fig. 35</b>	<b>Part</b>		
<b>Item No.</b>	<b>No.</b>	<b>Part Description</b>	<b>Qty</b>
1	108875	Cotter Pin 3/32 x 1/2 Uneven .....	2
2	328824	Lever Drain Lift .....	1
3	206417	Rod, Overflow Lift 22PW .....	1
4	106026	Washer 1/4 x 5/8 x 1/6 SST .....	5
5	328430	Overflow PW Mtd.....	1
6	100735	Bolt 1/4-20 x 5/8 Hex Head .....	4
7	111532	O-ring, Drain 1.600 ID x .21 .....	1
8	113559	Drain , Flange Cast/Mach SST .....	1

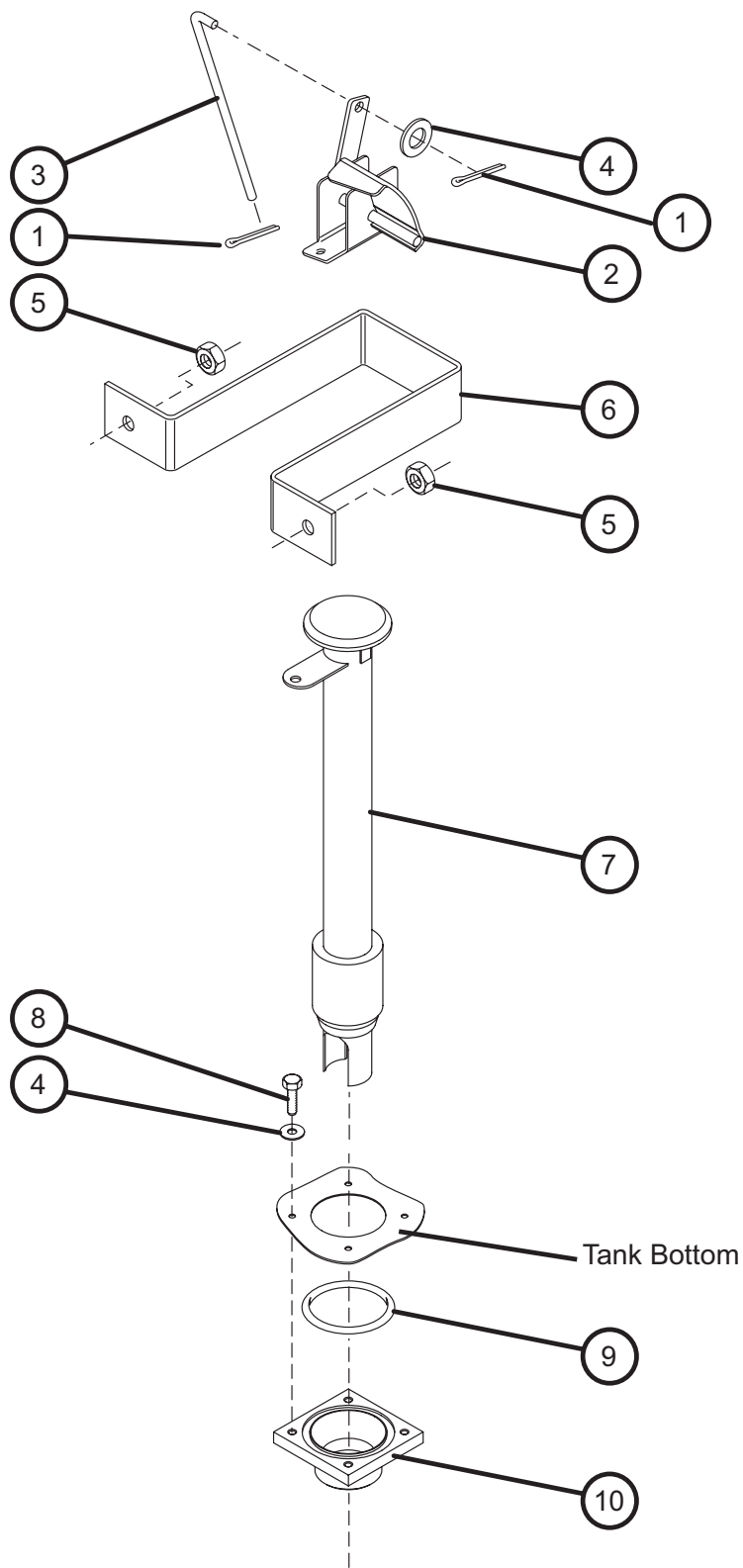


Figure 36- Single Tank and Two Tank  
Overflow Assembly

**SINGLE TANK AND TWO TANK  
OVERFLOW ASSEMBLY**

<b>Fig. 36</b>	<b>Part</b>		
<b>Item No.</b>	<b>No.</b>	<b>Part Description</b>	<b>Qty</b>
1	108875	Cotter Pin 3/32 x 1/2 Uneven .....	2
2	328611	Lever Drain Lift .....	1
3	327850	Rod, Overflow Lift .....	1
4	106026	Washer 1/4 x 5/8 x 1/6 SST .....	5
5	107966	Nut, Grip 10-32 w/Nylon Insert .....	2
6	327975	Bracket, Drain/Overflow .....	1
7	414342	Overflow (44Wash) .....	1
7	414343	Overflow (64 Rinse) .....	1
8	100735	Bolt 1/4-20 x 5/8 Hex Head .....	4
9	111532	O-ring, Drain 1.600 ID x .21 .....	1
10	113559	Drain , Flange Cast/Mach SST .....	1

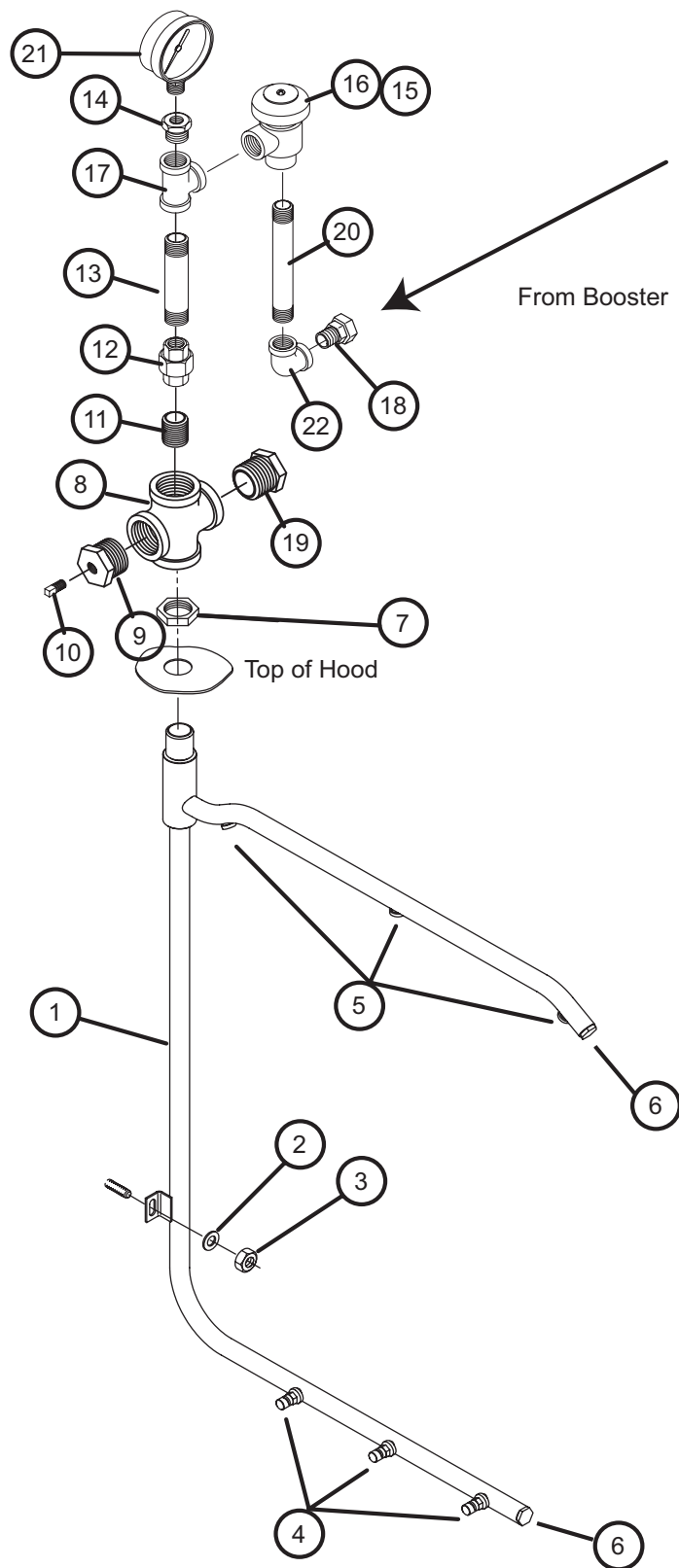


Figure 37- Final Rinse Piping w/Booster

**FINAL RINSE  
PIPING W/BOOSTER**

Fig. 37 Item No.	Part No.	Part Description	Qty
1	113694	Manifold 44/64 L-R Final Rinse .....	1
2	106026	Washer 1/4 x 5/8 x 1/16 SST .....	1
3	107967	Nut Grip 1/4-20 w/Nylon Insert .....	1
4	112022	Nozzle, Spray K-2 2T Rack .....	3
4	107290	Nozzle 1/8 HU-SS 8015 (44WS) .....	3
5	107290	Nozzle, Spray 8015 SST(Replaces 113709) .....	3
5	0508376	Nozzle Rinse SST Upper (WS only) .....	3
6	113795	Plug 11/16-16 Thread .....	2
--	108620	Gasket Rinse Pipe (Not Shown) .....	1
7	100156	Locknut 3/4NPT Brass .....	1
8	100599	Cross 3/4" NPT Brass .....	1
9	105976	Bushing Red 3/4" NPT x 1/8" NPT Brass .....	1
10	101259	Plug 1/8" NPT Brass .....	1
11	100184	Nipple 3/4"NPT Close Brass .....	1
12	100571	Union 3/4"NPT Brass .....	1
13	102470	Nipple 3/4" NPT x 3" Lg Brass .....	1
14	102388	Bushing, Reducing 1/2"NPT x 1/4"NPT Brass .....	1
15	104429	Vacuum Breaker 3/4"NPT .....	1
16	900837	Kit*Repair, 3/4 Vacuum Breaker .....	A/R
17	102525	Tee, Red 3/4" x 1/2" x 3/4" NPT Brass .....	1
18	109879	Fitting Compression 3/4"NPT x 7/8" OD .....	1
19	100171	Bushing Red Face 3/4" NPT x 1/2 NPT Brass .....	1
20	102490	Nipple 1/4"NPT x 3-1/2" Lg Brass .....	1
21	100135	Pressure Gauge 0-60 PSI .....	1
22	102442	Elbow 3/4 x90° Brass .....	1



**PIPING NO BOOSTER/STEAM BOOSTER**

<b>Fig. 38</b>	<b>Part</b>	<b>Part Description</b>	<b>Qty</b>
<b>Item No.</b>	<b>No.</b>		
1	101259	Plug, 1/8" NPT Brass .....	1
2	105976	Bushing, Red 3/4" NPT x 18" NPT Brass .....	1
3	100171	Bush Red Face 3/4" NPT x 1/2" NPT Brass .....	1
4	100599	Cross, 3/4"NPT Brass .....	1
5	100184	Nipple 3/4" NPT Close Brass .....	4
6	100571	Union 3/4" NPT Brass .....	2
7	102470	Nipple 3/4" x 3" Lg Brass .....	2
8	102525	Tee Red 3/4 x 1/2 x 3/4 Brass .....	1
9	104429	Vacuum Breaker 3/4" NPT Brass .....	1
--	900837	Kit*Repair, Vacuum Breaker 3/4" .....	A/R
10	102490	Nipple 3/4" NPT x 3-1/2"Lg Brass .....	1
11	102442	Elbow 3/4"NPT x 90° Brass .....	1
12	111437	Valve, Solenoid 3/4" HW .....	1
--	109903	Kit Repair 3/4 JE Stm-Wat .....	A/R
--	111472	Replacement Coil 3/4" Solenoid Valve .....	A/R
13	107418	Tee, 3/4"NPT x 3/4"NPT x 1/4"NPT Brass .....	1
14	102392	Bushing Red 3/4" x 1/2" NPT .....	1
15	100209	Nipple 1/2" NPT Brass .....	1
16	102514	Tee 1/2" NPT Brass .....	1
17	111250	Fitting Compression 1/2 OD x 1/2 MPT .....	1
18	102388	Bushing, Reducing 1/2" NPT x 1/4" NPT Brass .....	1
19	109879	Fitting, Comp 7/8OD x 3/4 MPT Brass .....	1
20	100135	Pressure Gauge 0-60 PSI .....	1
21	102521	Tee 3/4" NPT Brass .....	1
22	102490	Nipple 3/4" NPT x 3-1/2"Lg Brass (w/Steam Booster Only) ..	1

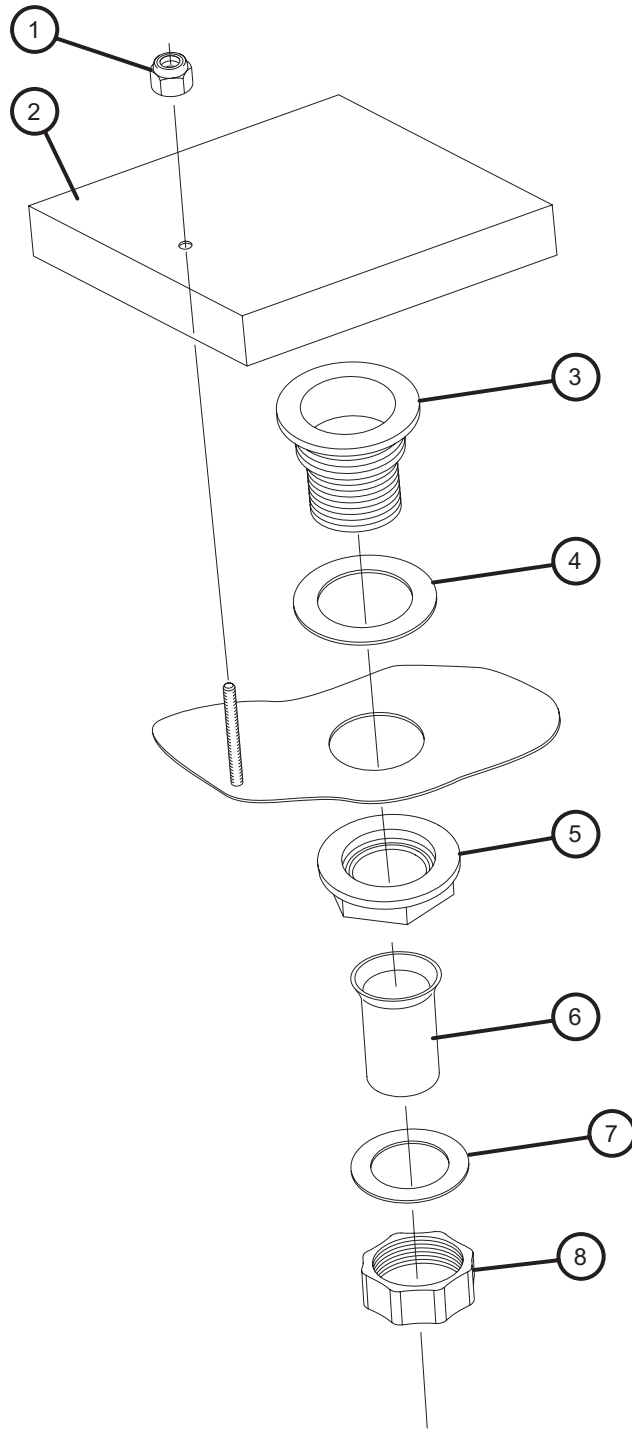


Figure 39- Final Rinse Drain Assembly

## FINAL RINSE DRAIN ASSEMBLY

<b>Fig. 39</b>	<b>Part</b>		
<b>Item No.</b>	<b>No.</b>	<b>Part Description</b>	<b>Qty</b>
1	100141	Nut, Grip 1/4-20 .....	1
2	305218	Strainer, F/R Drain .....	1
3	107342	Basket, Drain .....	1
4	107864	Washer, Packing-Neoprene .....	1
5	107345	Nut Slip .....	1
6	107473	Tailpiece .....	1
7	110245	Washer Tailpiece .....	1
8	110244	Nut Slip, Tailpiece .....	1

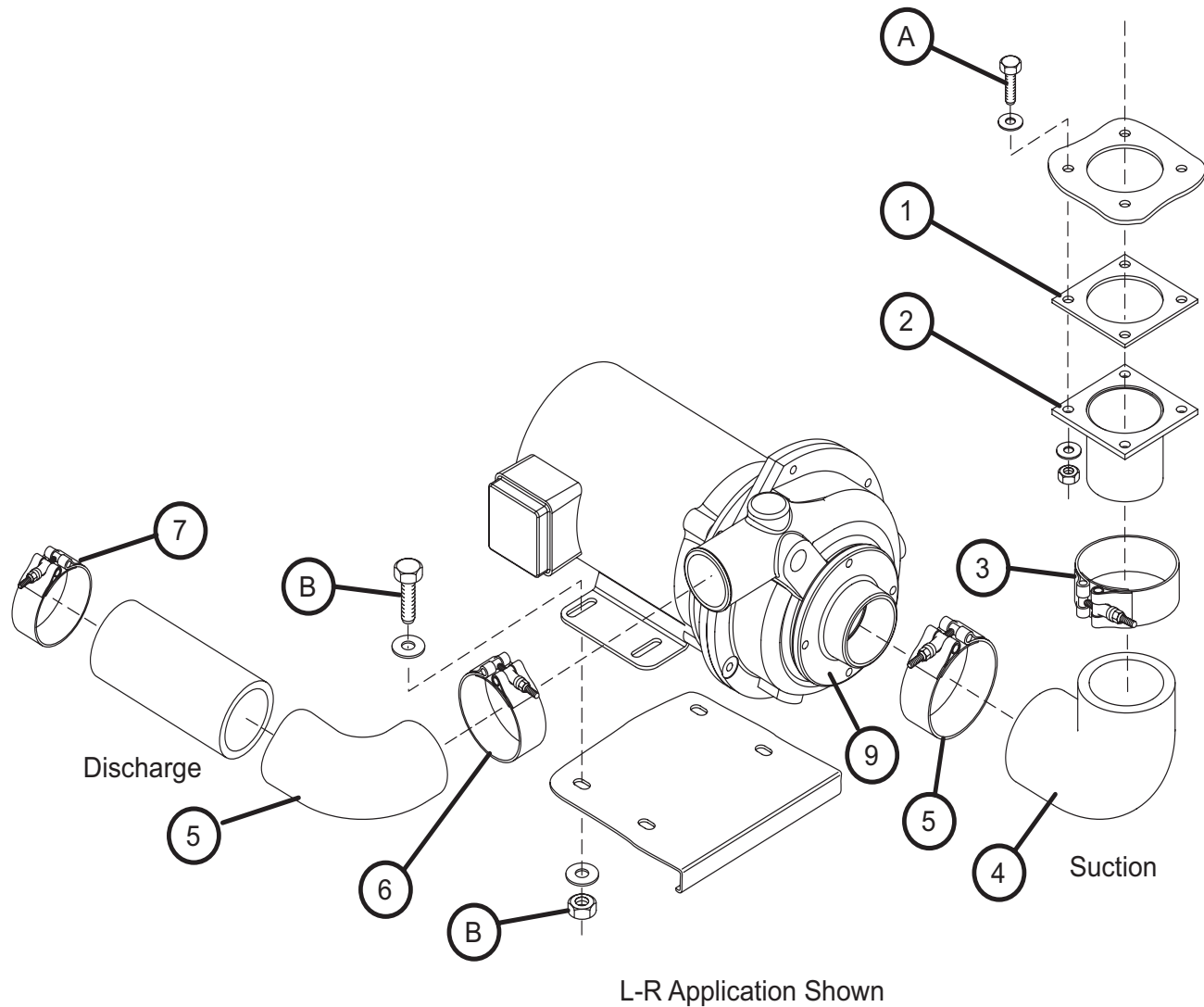


Figure 40- Prewash Pump Suction/Discharge

## PREWASH PUMP SUCTION/DISCHARGE

<b>Fig. 40</b> <b>Item No.</b>	<b>Part</b> <b>No.</b>	<b>Part Description</b>	<b>Qty</b>
1	109568	Gasket Pump Suction .....	1
2	307995	Flange, Suction .....	1
3	104203	Clamp, Hose M52 SST .....	2
4	113717	Hose, PW Suction .....	1
5	113731	Hose 22" PW Pump Discharge .....	1
6	104165	Clamp, Hose M40 SST .....	1
7	111964	Hose, Clamp Discharge .....	1
8	311761	Strainer, Pump Suction (Not Shown) .....	1
9	112379	Suction, Flange Machined .....	1
10	112338	Gasket Pump Suction Flange (Not Shown) .....	1

**A Suction Flange Fasteners****B Pump Fasteners**

100739	Bolt 5/16-18 x 3/4 Hex Head SST .....	4
102376	Washer 5/16 x 3/4 x 1/16 .....	8
109009	Nut, Grip 5/16 w/Nylon Insert .....	4

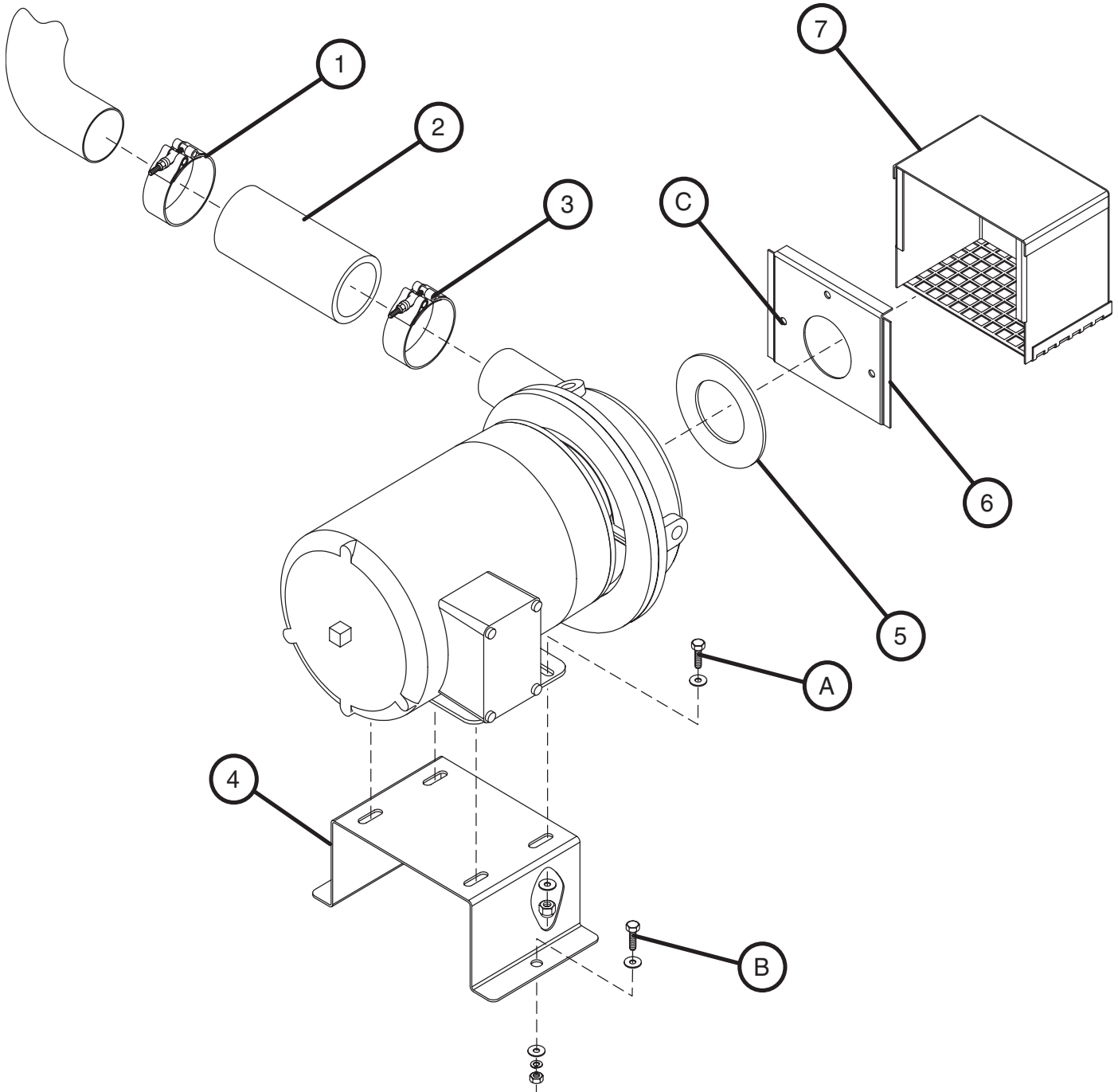


Figure 41- Wash/Rinse Pump Suction/Discharge

## WASH/RINSE PUMP SUCTION/DISCHARGE

<b>Fig. 41</b>	<b>Part</b>		
<b>Item No.</b>	<b>No.</b>	<b>Part Description</b>	<b>Qty</b>
1	110858	Hose Clamp Pump Discharge .....	1
2	112801	Hose Discharge Pump .....	1
3	111780	Hose Clamp PP28 Discharge .....	1
4	327870	Pump Motor Base .....	1
5	113538	Gasket Pump Suction .....	1
6	327906	Plate, Pump Suction .....	1
7	327905	Hood Pump Suction .....	1
<b>A</b>	<b>Pump Base Fasteners</b>		
	100739	Bolt 5/16-18 x 3/4 Hex Head SST .....	4
	102376	Washer 5/16 x 3/4 x 1/16 .....	8
	109009	Nut Grip 5/16 w/Nylon Insert .....	4
<b>B</b>	<b>Pump Fasteners</b>		
	100739	Bolt 5/16-18 x 3/4 Hex Head SST .....	4
	102376	Washer 5/16 x 3/4 x 1/16 .....	8
	109009	Nut, Grip 5/16 w/Nylon Insert .....	4

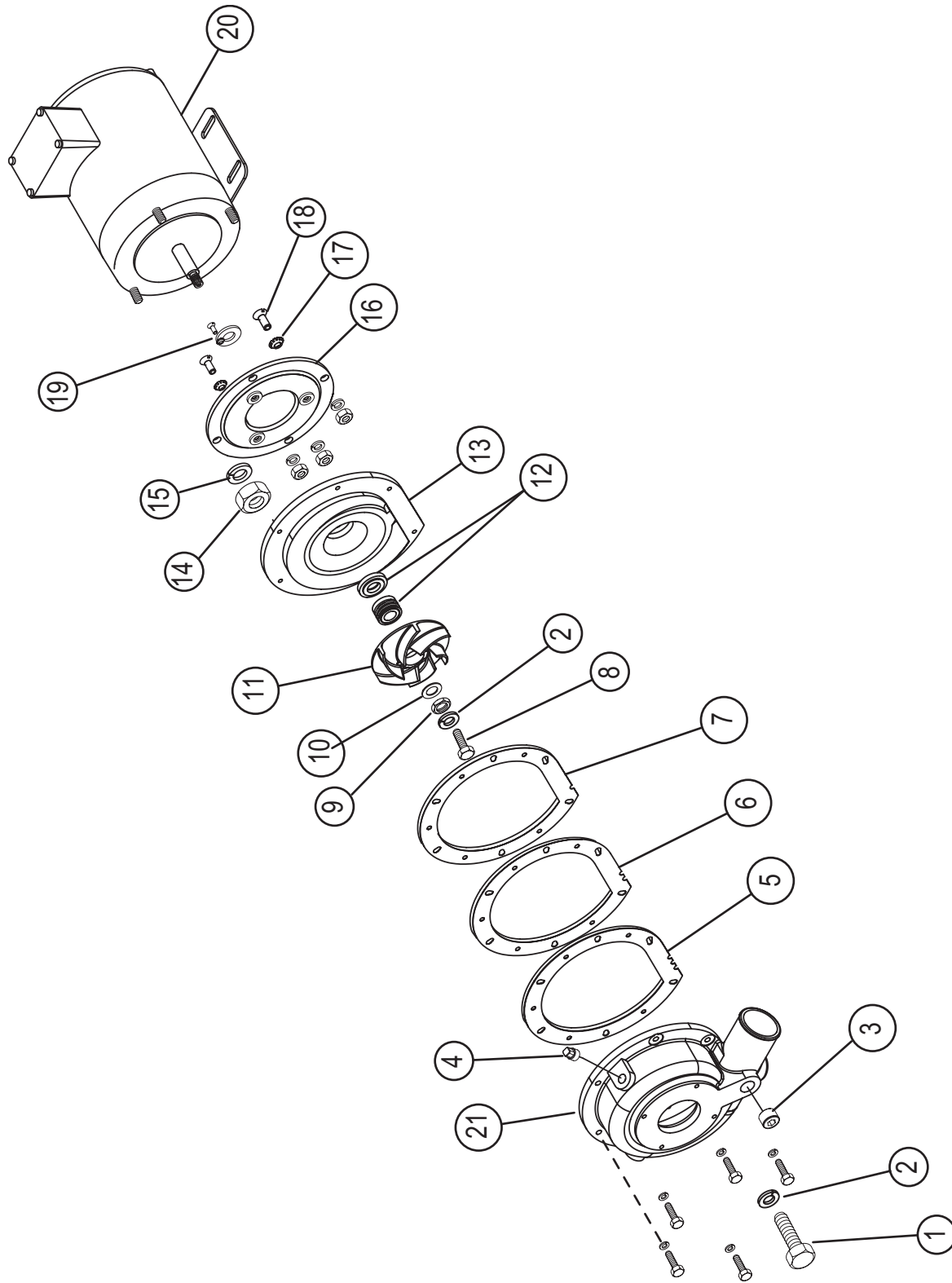


Figure 42- Pump Assembly

## PUMP ASSEMBLY

<b>Fig. 42</b>	<b>Part</b>		
<b>Item No.</b>	<b>No.</b>	<b>Part Description</b>	<b>Qty</b>
1	100736	Screw 1/4-20 x 3/4 Hex Head .....	6
2	106482	Washer, Lock 1/4" .....	10
3	113705	Plug 1/2" NPT Countersunk Brass (2HP) (Wash/Rinse) .....	1
3	102504	Plug 1/2" NPT Brass Sq Head (1HP) (Prewash) .....	1
4	102500	Plug 1/4" NPT Brass .....	2
5	111943	Gasket .032 Thk (3 Notches) .....	1
6	111942	Gasket .015 Thk (2 Notches) .....	1
7	111941	Gasket .0085 Thk (1 Notch) .....	1
8	100735	Screw 1/4-20 x 5/8 Hex Head .....	1
9	110247	Nut Jam Hex 7/16-20 SST .....	1
10	110248	Washer .44OID x .043SST .....	1
11	113118	Impeller 1HP, SST Machined (Prewash) .....	1
	113603	Impeller 2HP, SST Machined (Wash/Rinse) .....	1
12	111111	Seal Pac Type 16 .....	1
13	113635	Flange, Jet Pump, SST NG .....	1
14	107690	Nut, Jam 3/8-16 .....	4
15	106407	Washer, Lock 3/8 Split .....	4
16	204460	Backing Plate 1Hp, 2HP, 3HP .....	1
17	110270	Washer, C-Sunk, Ex-Tooth SST .....	3
18	100754	Screw 10-32 x 1/2 Flat Head .....	3
19	109654	Slinger-Comenda .....	1
20	110420	Motor 1HP 208-240/460 60Hz/3Ph .....	A/R
	113420	Motor 2HP 208-240/460/60Hz/3Ph (Wash/Rinse) .....	1
21	112380	Pump Volute Machine (Prewash) .....	1
	113634	Pump Volute SST (Wash/Rinse) .....	1
---	112338	Gasket, Pump Suction Flange (Not Shown) .....	1
	451523	Pump Assy 1HP 3Ph R-L Complete (Prewash) .....	A/R
	414506	Pump Assy 2HP LH Complete (Wash/Rinse) .....	A/R
	414505	Pump Assy 2HP RH Complete (Wash/Rinse) .....	A/R
	900737	Kit*Gaskets, Jet Pump (Includes Items 5-7) .....	A/R
	900183	Kit*Seal & 1HP Impeller (Includes Items 5-7, 11 and 12) .....	A/R
	900861	Kit*Seal & 2Hp Impeller (Includes Items 5-7, 11 and 12) .....	A/R

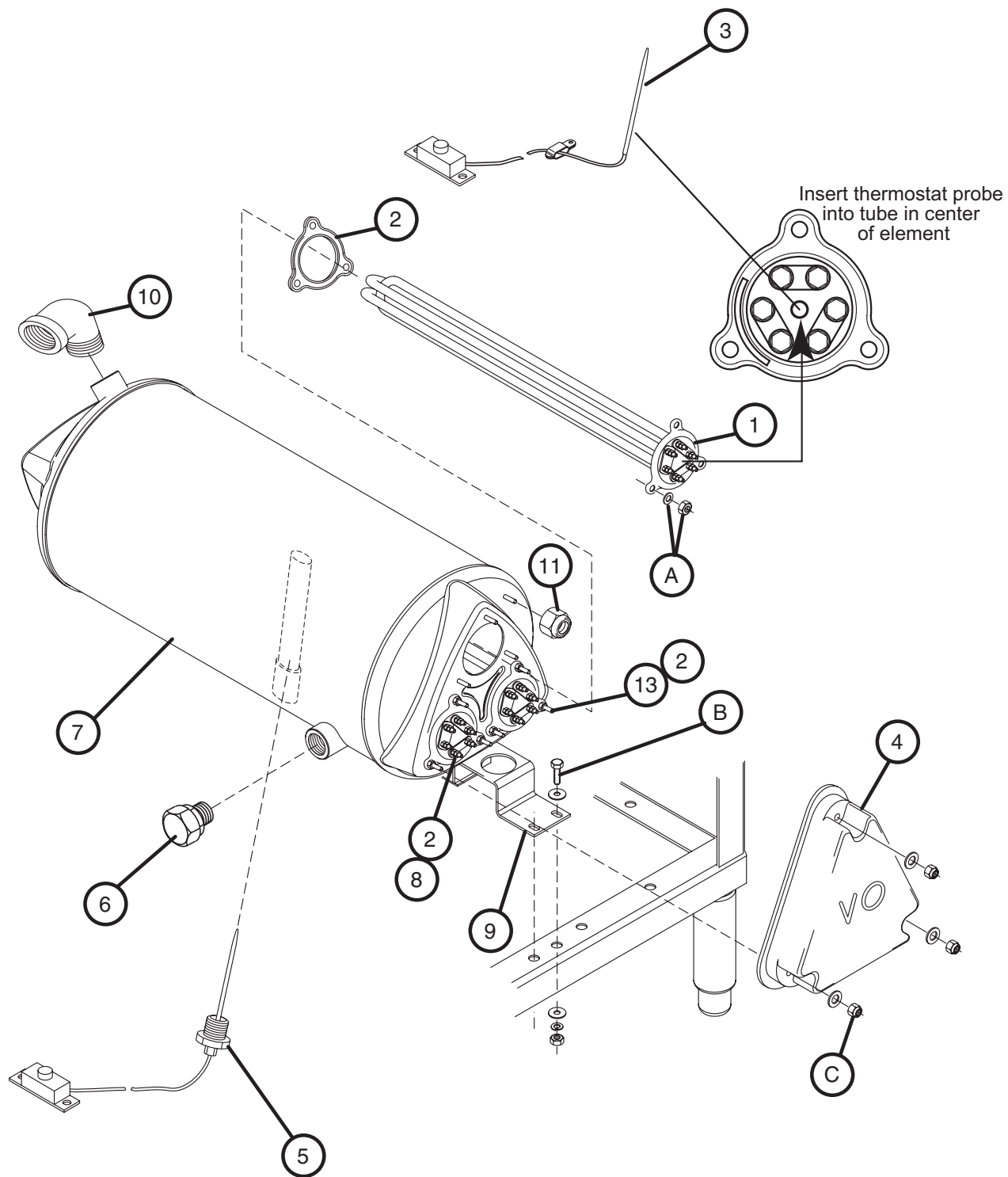


Figure 43- 40°/60° Rise Electric Booster

## 40°/60 RISE ELECTRIC BOOSTER

Fig. 43 Item No.	Part No.	Part Description	Qty
1	113690	Heater, 12KW 208/60/3Ph (60°)(200-220V/1Ph & 3PH) .....	1
	113885	Heater, 12KW 220/230/240/380/415V 3Ph (60°)(230-240/1PH & 3PH) ...	1
	113886	Heater, 12KW 460/480V 3Ph (60°) .....	1
	113887	Heater, 12KW 575V 3Ph(60°) .....	1
	111233	Heater 7.5/10KW 240V 3Ph (40° Rise)(200-220,230-240V/1PH) .	1
	111232	Heater, 10KW 208V 3PH (40° Rise)(220-220/3PH) .....	1
	111234	Heater, 10KW 480V 3PH (40° Rise) (480V 3PH).....	1
	111383	Heater, 10KW 575V 3PH (40° Rise) (480V 3PH).....	1
2	109985	Seal, Electric Heater Flange .....	3
3	113724	Thermostat w/Capillary 210°F .....	1
4	108576	Cover, Booster No Cutout .....	1
5	109069	Thermostat w/ Capillary .....	1
6	102505	Plug 3/4" NPT Brass .....	1
7	414331	Tank Booster (40° Rise).....	1
8	113690	Heater, 12KW 208/60/3Ph (40°)(200-220V/1Ph & 3PH) .....	1
	113885	Heater, 12KW 220/230/240/380/415V 3Ph (40°)(230-240/1PH & 3PH) ...	1
	113886	Heater, 12KW 460/480V 3Ph (40°)(460-480°/3PH) .....	1
	112059	Heater, 12KW 208V 3Ph (60°Rise)(200-220V/1PH & 3PH) .	2
	111334	Heater 12KW 240V 3Ph (60° Rise) (230-240/1PH & 3PH) ...	2
	112060	Heater 12KW 460/480V 3Ph(60°Rise)(460-480/3PH) .....	2
	112061	Heater 12KW 575V 3Ph (60° Rise) .....	2
9	328254	Bracket, Front Booster .....	1
10	113706	Elbow Street 3/4 x 45 Brass (44) .....	1
11	108954	Nut Grip 6-32 w/Nylon Insert .....	1
12	328048	Clamp, Thermostat Booster Tank (Not shown, use with item 11)..	1
13	111235	Heater, 5/6.6KW 208/240 (40° Rise)(200-220V/1PH & 3PH).....	1
	111236	Heater 5KW 240V 3PH (40° Rise)(230-240V1PH & 3PH)....	1
	111237	Heater 5KW 480V 3PH (40° Rise) (460-480V/3PH) .....	1
	111384	Heater 5KW 575V 3PH (40° Rise) (460-480V/3PH) .....	1
<b>A</b>	<b>Element Fasteners (Qty per Element)</b>		
	100003	Nut Plain 1/4-20 .....	9
	106482	Washer Lock 1/4 Split .....	9
<b>B</b>	<b>Booster Tank Fasteners</b>		
	100739	Bolt 5/16-18 x 3/4 Hex Head SST .....	4
	106013	Washer Lock 5/16 Split .....	4
	109205	Nut, Grip 5/16 w/Nylon Insert .....	4
<b>C</b>	<b>Element Cover Fasteners</b>		
	107697	Nut Grip 1/4-20 w/Nylon insert .....	3
	106026	Washer Flat 1/4" .....	3

## Thermostat Placement

- Select correct element numbers from chart above for specific voltage
- Limiting thermostat **113724** Should be inserted into center of element **113690** (use voltage specific element). Thermostat should bottom out in the tube approximately 12" deep. The exposed capillary leads should be routed under cover **108576** and fastened to the weld stud in the upper right side of the booster can with the clip **328048** and nut.
- Regulating thermostat **109069** should be inserted into the tube on the bottom of the booster can until it hits the opposite wall approximately 9" then pulled back 1" and fastened in place.

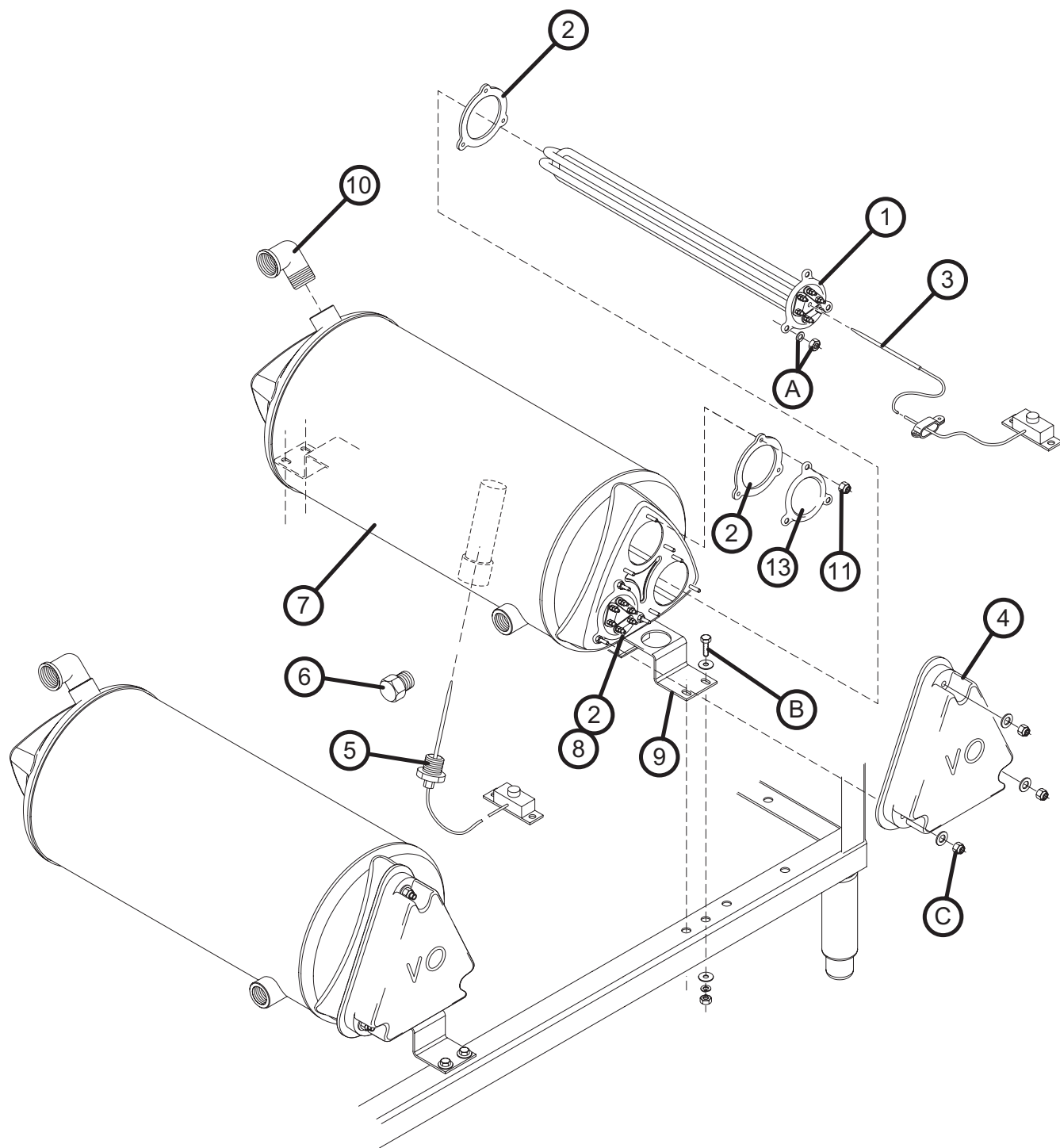


Figure 44- 70° Rise Electric Booster

## 70° RISE ELECTRIC BOOSTER

<b>Fig. 44</b> <b>Item No.</b>	<b>Part</b> <b>No.</b>	<b>Part Description</b>	<b>Qty</b>
1	113690	Heater, 12KW 208/60/3Ph (200-220V/1Ph & 3PH) .....	1
	113885	Heater, 12KW 220/230/240/380/415V 3Ph (230-240/1PH & 3PH) .....	1
	113886	Heater, 12KW 460/480V 3Ph (60°) .....	1
	113887	Heater, 12KW 575V 3Ph(60°) .....	1
2	109985	Seal, Electric Heater Flange .....	6
3	113724	Thermostat w/Capillary 210°F .....	1
4	108576	Cover, Booster No Cutout .....	2
5	109069	Thermostat w/ Capillary .....	2
6	102505	Plug 3/4" NPT Brass (Not Shown) (On Opposite Side) .....	2
7	414331	Tank Booster (40° Rise) .....	2
8	112059	Heater, 12KW 208V 3Ph (200-220V/1PH & 3PH) .....	2
	111334	Heater 12KW 240V 3Ph (230-240/1PH & 3PH) .....	2
	112060	Heater 12KW 460/480V 3Ph(460-480/3PH) .....	2
	112061	Heater 12KW 575V 3Ph .....	2
9	328254	Bracket, Front Booster .....	2
10	113706	Elbow Street 3/4 x 45 Brass (44) .....	2
11	108954	Nut Grip 6-32 w/Nylon Insert .....	2
12	328048	Clamp, Thermostat Booster Tank (Not shown, use with item 11)..	2
13	109458	Flange Heater Bloc/off .....	2
<b>A</b>	<b>Element Fasteners (Qty per Element)</b>		
	100003	Nut Plain 1/4-20 .....	9
	106482	Washer Lock 1/4 Split .....	9
<b>B</b>	<b>Booster Tank Fasteners (Qty per Booster)</b>		
	100739	Bolt 5/16-18 x 3/4 Hex Head SST .....	4
	106013	Washer Lock 5/16 Split .....	4
	109205	Nut, Grip 5/16 w/Nylon Insert .....	4
<b>C</b>	<b>Element Cover Fasteners (Qty per Cover)</b>		
	107697	Nut Grip 1/4-20 w/Nylon insert .....	3
	106026	Washer Flat 1/4" .....	3

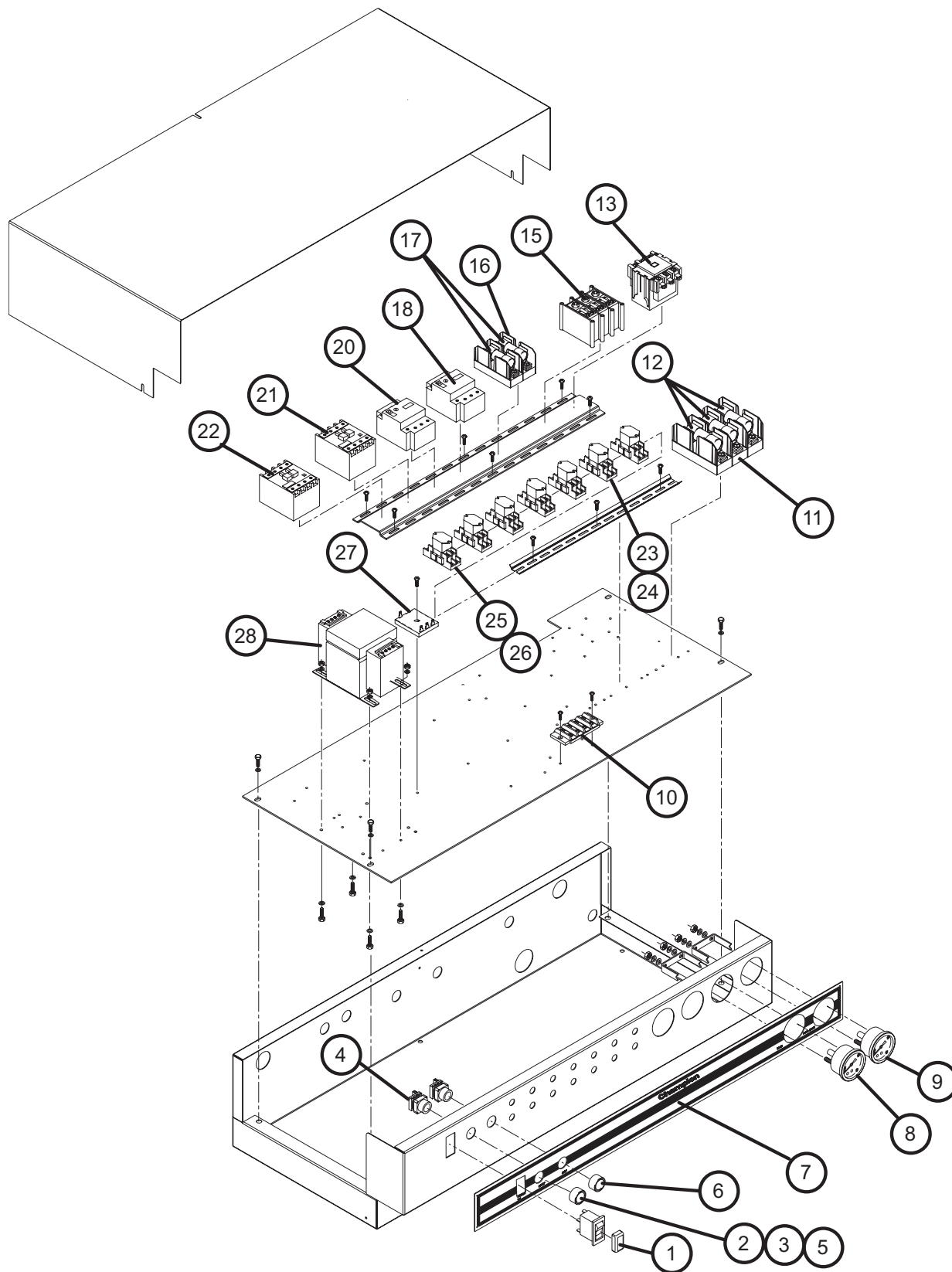


Figure 45- Control Cabinet

## CONTROL CABINET

Fig. 42 Item No.	Part No.	Part Description	Qty
1	111980	Circuit Breaker On/Off 5amp .....	1
2	113814	Switch Pushbutton Green Illuminated .....	1
3	113752	Mounting Base Led Green .....	1
4	113812	Contact Block NO W/O Base .....	1
5	113140	Boot, Silicone Pushbutton .....	2
6	900726	Red Pushbutton (Includes (1) of Item 5) .....	1
		Includes the following:	
	111615	Red Push Button .....	1
	111616	Contact Block NC w/holder .....	1
7	113684	Decal 44/54 Cabinet (Single Tank) .....	1
7	113710	Decal 40/60/64 Cabinet (Two Tank) .....	1
8	107440	Thermometer 8ft Flanged (Wash) (Single Tank) .....	1
8	107440	Thermometer 8ft Flanged (Rinse) (Two Tank) .....	1
9	113622	Thermometer 4Ft Gas Filled (Final Rinse) .....	1
10	100294	Terminal Block 6PT .....	1
--	112296	Label Detergent/Rinse Signal (Not Shown) .....	1
11	108424	Fuse Block 600V/100A 3P (208-220V/1PH)(230-240V/1PH)	1
11	180171	Fuse Block 600V/60A 3P (208-220V/3PH)(230-240V/3PH).	1
11	180171	Fuse Block 600V/60A 3P (230-240V/3PH)(Two Tank).....	2
11	111135	Fuse Block 600V/30A 3P (460-480V/3PH)(Single Tank) .....	1
11	111135	Fuse Block 600V/30A 3P (460-480V/3PH) (Two Tank) .....	2
12	108448	Fuse T 90A 250V Fast Act (208-220V/1PH) .....	2
12	180059	Fuse T 80A 250V Fast Act (230-240V/1Ph) .....	2
12	180175	Fuse J 50A 600V Fast Act (208-220V/3PH) .....	3
12	180175	Fuse J 50A 600V Fast Act (230-240V/1PH)(Two Tank Only)	2
12	180174	Fuse J 45A 600V Fast Act (230-240V/3PH) .....	3
12	180243	Fuse J 25A 600V Fast Act (460-480V/3PH) .....	3
12	111231	Fuse T 90A 250V Fast Act (208-220V/1PH)(Two Tank Only)	2
12	180176	Fuse J 60A 600V Fast Act (208-220V/1PH)(Two Tank Only)	2
12	180172	Fuse J 35A 600V Fast Act (208-220V/3PH)(Two Tank Only)	3
12	111683	Fuse J 30A 600V Fast Act (230-240V/3PH)(Two Tank Only)	3
12	112062	Fuse J 20A 600V Fast AcT (460-480V/3PH)(Two Tank Only)	3
13	111231	Contactor 75FLA 3p ( Tank Heat) (208-220V/1PH)(230-240V/1PH)	1
13	111827	Contactor 60FLA 3P (Tank Heat) (208-220V/3PH), (230-240V/3PH), (460-480V/3PH) .....	1
13	111827	Contactor 60FLA 3P (Tank Heat)(208-220V/3PH)(Two Tank Only)	2
14	103310	Wire Lug QA-2 (Not Shown) .....	1
15	111833	Terminal Block 185A 3Pole 600V .....	1
16	106402	Fuse Block 600V/30A 2P (208-220V/1PH & 3PH)(230-240V/1PH)....	1
17	111821	Fuse ATDR-3 600V Time Delay (208-220V/1PH & 3PH), (230-240V/1PH & 3PH), (460-480V/3PH) .....	2
18	111630	Starter Mtr 13.0-18.0 (Wash) (208-220V/1PH),(230/240V/1PH) (Single Tank) .....	1
18	111630	Starter Mtr 13.0-18.0 (Wash/Rinse) (208-220V/1PH), (230/240V/1PH)(Two Tank) .....	2
18	110807	Starter Mtr OL GV2-M14 W/Aux (Wash) (208-220V/3PH), (230-240V/3PH) (Single Tank) .....	1
18	110807	Starter Mtr OL GV2-M14 W/Aux (Wash/Rinse) (208-220V/3PH), (230-240V/3PH) (Two Tank) .....	2
18	110805	Starter Mtr 2.5-4.0A w/Auxillary(Wash) (460-480V/3PH) (Single Tank) .....	1

## CONTROL CABINET

Fig. 42 Item No.	Part No.	Part Description	Qty
19	113161	Starter Mtr OL 9.0-14.0 Amps (Prewash)(1HP) (208-220V/1PH) (230-240V/1PH)(Not Shown) .....	1
19	110806	Starter Mtr OL GV2-M10 w/Auxillary (Prewash) (1HP) (208-220V/3PH), (230-240/V3PH)(Not Shown) .....	1
19	110804	Starter Mtr OL GV2-M07 w/Auxillary (Prewash) (1HP) (460-480V/3PH) (Not Shown) .....	1
20	110803	Starter Mtr OL GV2-M06 w/Aux (Drive) (208-220V/1PH & 3PH) (230-240V/1PH & 3PH) .....	1
20	110801	Starter Mtr OL GV2-M04 w/Auxillary (Drive)(460-480V/3PH)	1
---	111639	Auxillary Switch (Attached to Overload) (Not Shown) .....	A/R
21	108122	Contactactor 12A (Motor)(Prewash,Wash, Rinse)(208-220V/3PH), (230-240V/3PH), (460-480V/3PH) .....	1
21	109582	Contactactor 25A (Motor) (Wash/Rinse) (208-220V/1PH)(230-240V/1PH)	1
22	108122	Contactactor 12A (Motor) (Drive) .....	1
23	111036	Relay Socket (Single/Two Tank) .....	6
23	113036	Relay Socket (w/Prewash) .....	7
24	111068	Relay 2PDT 10A 120VAC (Single/Two Tank) .....	6
24	111068	Relay 2PDT 10A 120VAC (w/Prewash) .....	7
---	113271	Suppressor, ARC (Single/Two Tank) (Not Shown) .....	5
---	113271	Suppressor, ARC (w/Prewash) (Not Shown) .....	6
25	112415	Relay Socket 3Pole .....	1
26	112382	Relay 3PDT 10A 120VAC .....	1
27	113782	Timer Fixed 90 Seconds .....	1
28	109064	Transformer 250VA 240/480, 230/460 .....	1

This Page  
Intentionally  
Left  
Blank

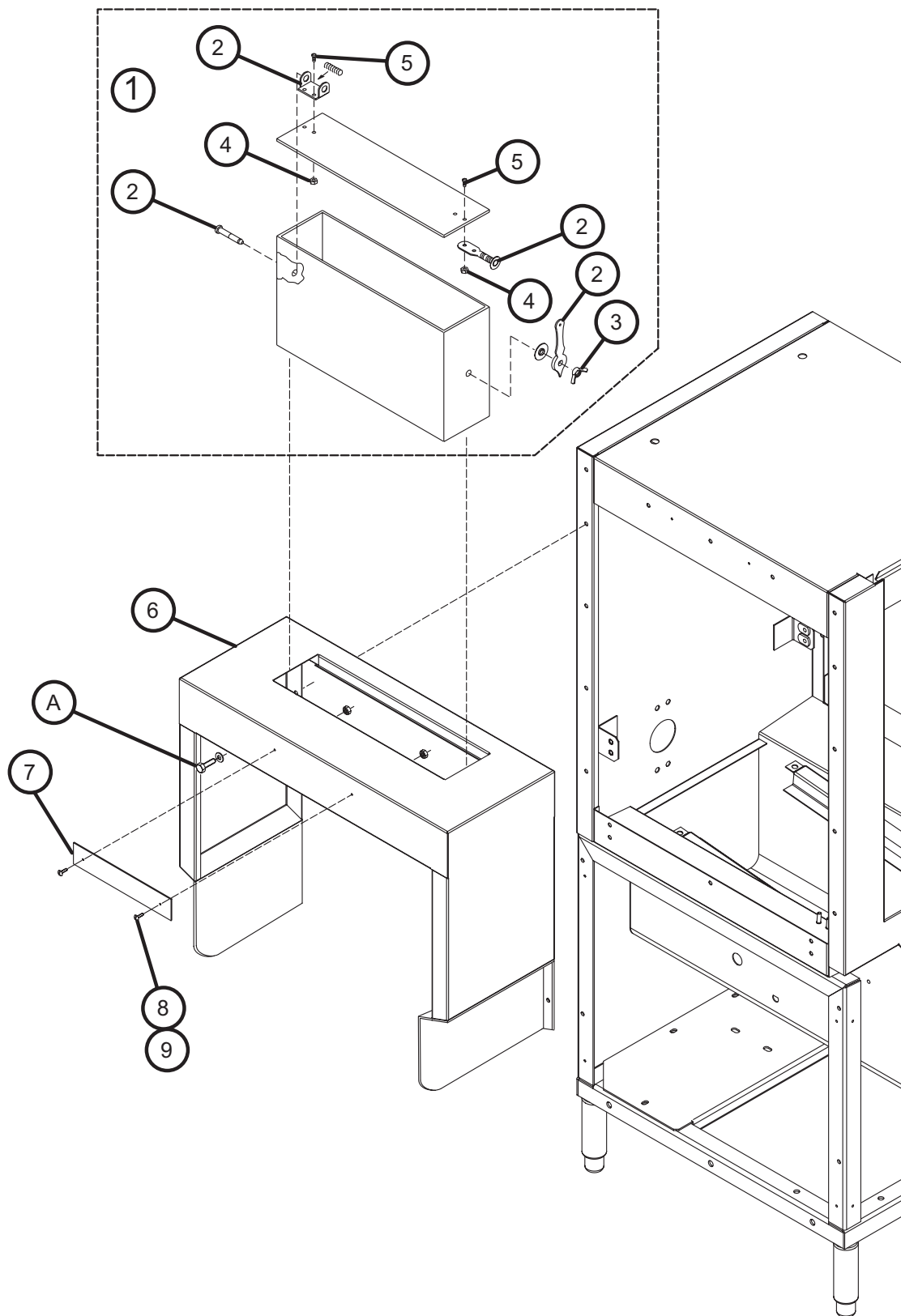


Figure 46- New Style Vent Cowls  
(Shown Mounted to Prewash)

## NEW STYLE VENT COWLS

<b>Fig. 46</b>	<b>Part</b>		
<b>Item No.</b>	<b>No.</b>	<b>Part Description</b>	<b>Qty</b>
1	401487	Vent Stack Assembly (Includes Items 2-5) .....	2
2	201589	Regulator Assembly .....	2
3	112258	Nut Wing 1/4-20 SST .....	2
4	108954	Nut, Grip 6-32 w/Nylon Insert .....	4
5	104883	Screw 6-32 x 3/8" Round Head .....	4
6	328344	Vent Cowl .....	2
7	109158	Nameplate "Champion" .....	2
8	107015	Screw 4-40 x 1/4 Round Head .....	4
9	107016	Nut Grip 4-40 w/Nylon Insert .....	4
<b>A</b>	<b>Vent Cowl Fasteners (Qty per Cowl)</b>		
	100734	Bolt 1/4-20 x 1/2 Hex Head SST .....	4
	106482	Nut Grip 1/4-20 SST .....	4

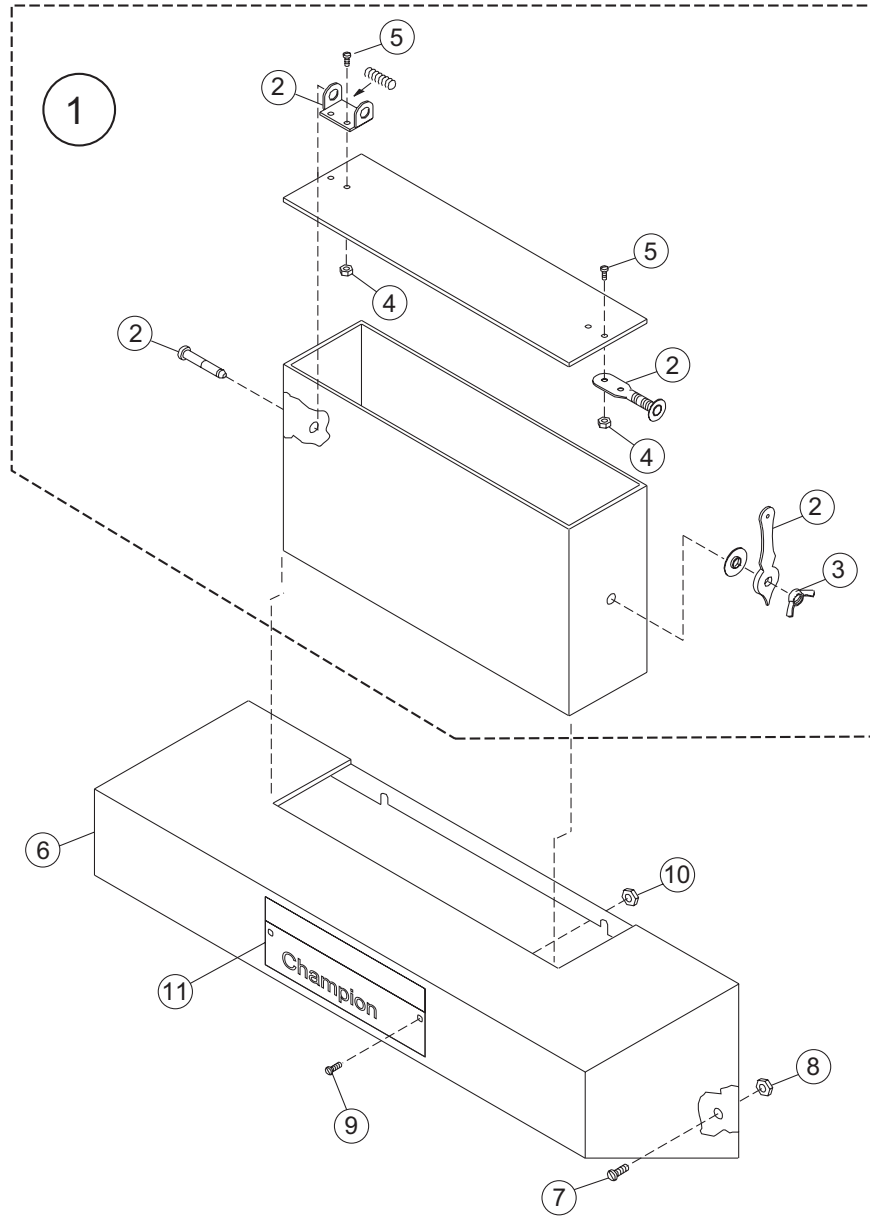


Figure 47- Standard Vent Cowls

## STANDARD VENT COWLS

<b>Fig. 47</b>	<b>Part</b>		
<b>Item No.</b>	<b>No.</b>	<b>Part Description</b>	<b>Qty</b>
1	401487	Vent Stack Assembly (Includes items 2-5) .....	2
2	201589	Regulator Assembly .....	2
3	112258	Nut, Wing 1/4-20 SST .....	2
4	108954	Nut, Grip 6-32 w/Nylon Insert .....	8
5	104883	Screw 6-32 x 3/8 Round Head .....	8
6	307228	Vent Hood .....	2
7	100734	Belt 1/4-20 x 1/2" Hex Head .....	4
8	100141	Nut Grip 1/4-20 .....	8
9	107015	Screw 4-40 x 1/4 Round Head .....	4
10	107016	Nut Grip 4-40 w/Nylon Insert .....	4
11	109518	Nameplate "Champion" .....	1
--	401889-S	Vent Hood Assembly (Includes Items 1-10)	

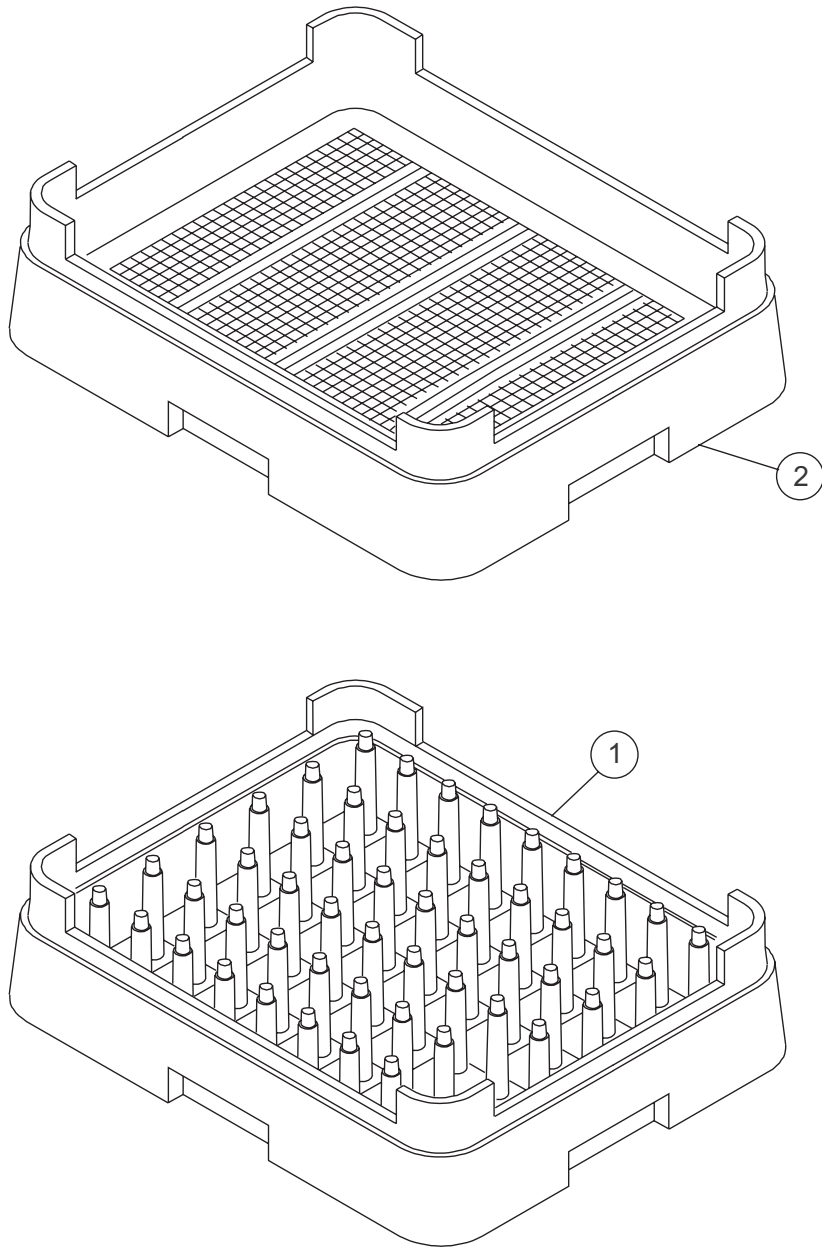


Figure 48- Dish Racks

DISH RACKS

<b>Fig. 48</b>	<b>Part</b>		
<b>Item No.</b>	<b>No.</b>	<b>Part Description</b>	<b>Qty</b>
1	101285	Rack Peg .....	1
2	101273	Rack Combination .....	1