

ELECTRIC HEATER CONNECTIONS

HEAT CONTACTOR

WIRE SIZE #10

WIRE SIZE #8

WIRE SIZE #10

WIRE SIZE #10

NOTE1  
MOTOR POWER COMES FROM MAIN CABINET  
ON STEAM HEATED MACHINES

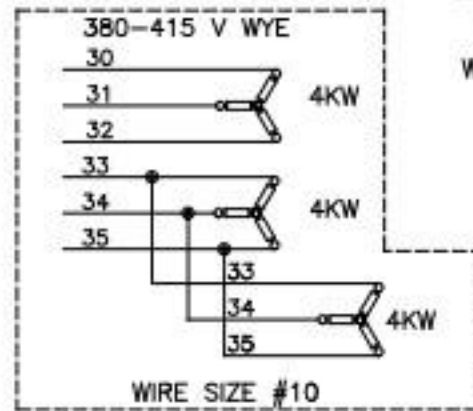
MOTOR CONNECTIONS

WIRE SIZE #14

MOTOR  
STARTER

MOTOR  
CONTACTOR

BLOWER  
MOTOR



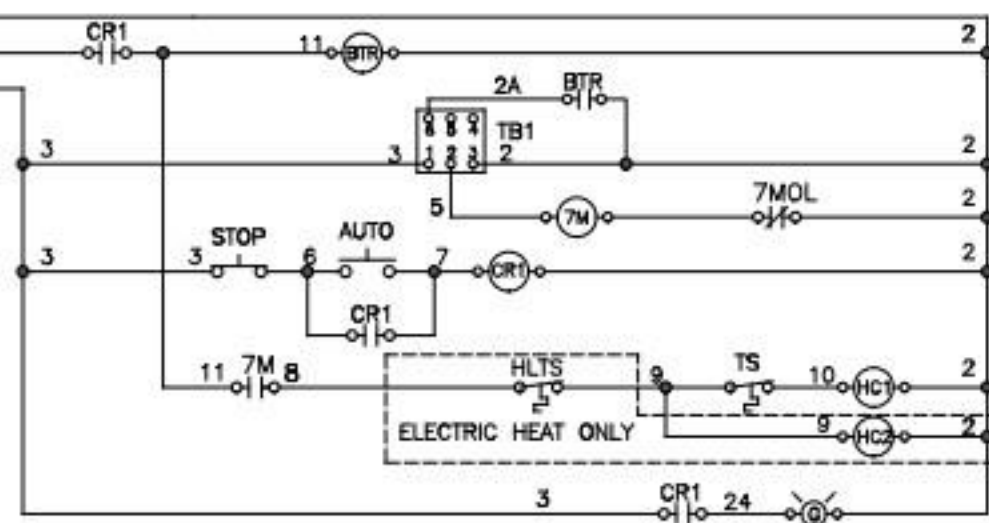
12KW ELECTRIC HEAT VOLTAGE 208V CONTACTOR # AMPS/CONTACTOR RATING FUSE BLOCK # FUSE RATING MOTOR FLA MOTOR OVERLOAD#
12KW ELECTRIC HEAT VOLTAGE 380V CONTACTOR # AMPS/CONTACTOR RATING FUSE BLOCK # FUSE RATING MOTOR FLA MOTOR OVERLOAD#
12KW ELECTRIC HEAT VOLTAGE 480V CONTACTOR # AMPS/CONTACTOR RATING FUSE BLOCK # FUSE RATING MOTOR FLA MOTOR OVERLOAD#
12KW ELECTRIC HEAT VOLTAGE 575V CONTACTOR # AMPS/CONTACTOR RATING FUSE BLOCK # FUSE RATING MOTOR FLA MOTOR OVERLOAD#

FROM DISHWASHER  
CONTROL CABINET  
120V SIGNAL

RACK-7/UC-25  
EUC 10  
EEUC/ERACK/ECC 3



24V CONTROL  
CONTROLS



BLOWER TIMER RELAY

BLOWER TIMER

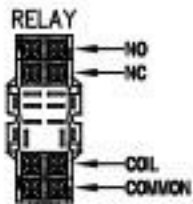
MOTOR CONTACTOR

CONTROL RELAY

HEATER CONTACTOR/STEAM VALVE

HEATER CONTACTOR/NOT USED FOR STEAM

RUN LIGHT



CONTROL WIRING