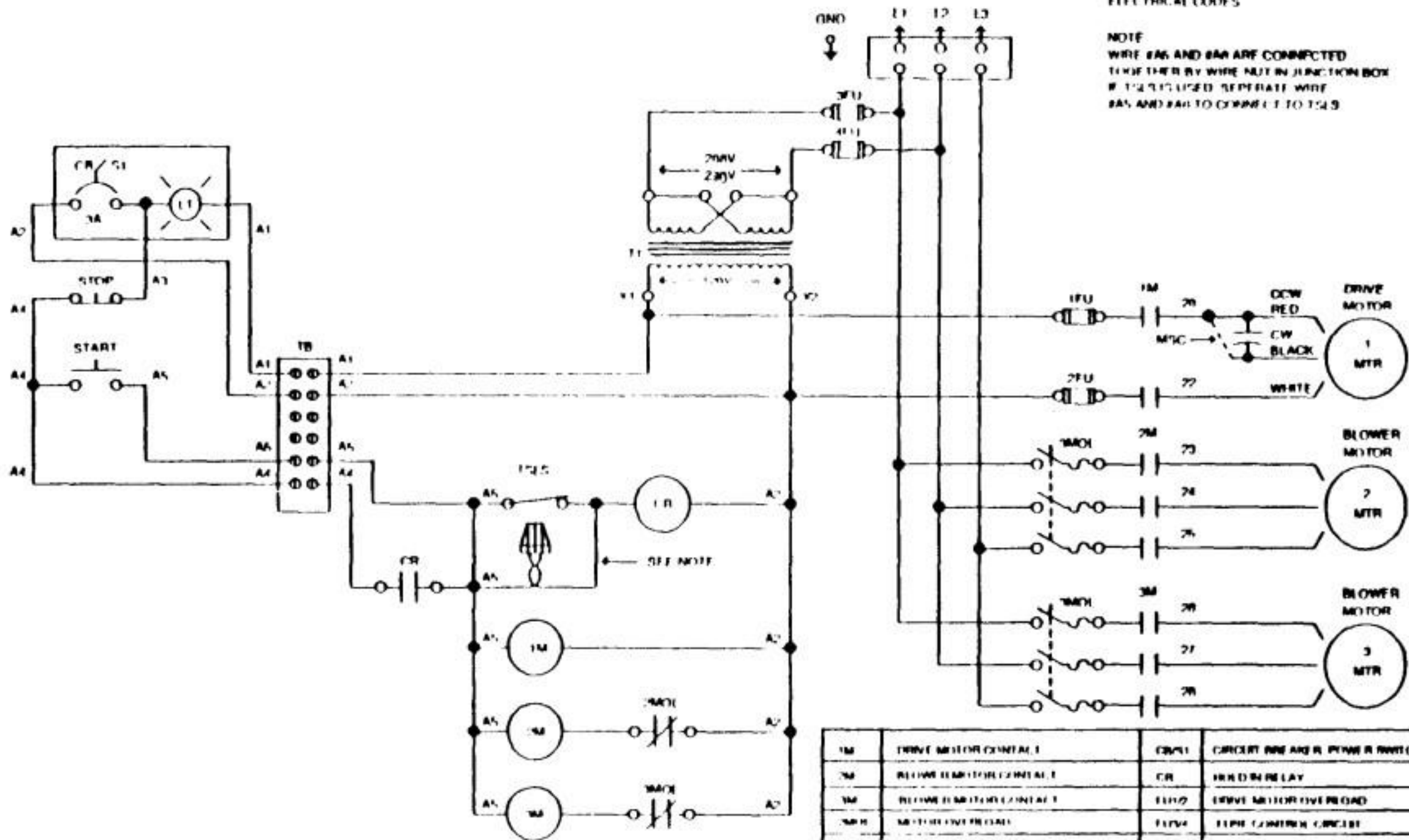


CUSTOMER TO SUPPLY RATED
VOLTAGE/PHASE AS SPECIFIED
PER ORDER TO DISCONNECT SWITCH
ALL POWER SUPPLIED TO EACH CONNECTION
POINT MUST COMPLY WITH ALL LOCAL
ELECTRICAL CODES

NOTE
WIRE 8A6 AND 8A8 ARE CONNECTED
TOGETHER BY WIRE NUT IN JUNCTION BOX
IF THE 2 USED SEPARATE WIRE
8A5 AND 8A8 TO CONNECT TO 1&2 9



1M	DRIVE MOTOR CONTROL 1	CR/1	CIRCUIT BREAKER POWER SWITCH
2M	BLOWER MOTOR CONTROL 1	CR	FUSED RELAY
3M	BLOWER MOTOR CONTROL 2	EL1/2	DRIVE MOTOR OVERLOAD
2M/3	BLOWER MOTOR OVERLOAD	EL1/3	FUSE (AMPERE) CIRCUIT
2M/3	BLOWER MOTOR RELAY	MSH	MOTOR START CAPACITOR
1M/2/3	DRIVE MOTOR	T1	TRANSFORMER
2M/3	BLOWER MOTOR 1	TR	TERMINAL BLOCK
2M/3	BLOWER MOTOR 2	TLS/9	TRIP CLEAR/RESET SWITCH