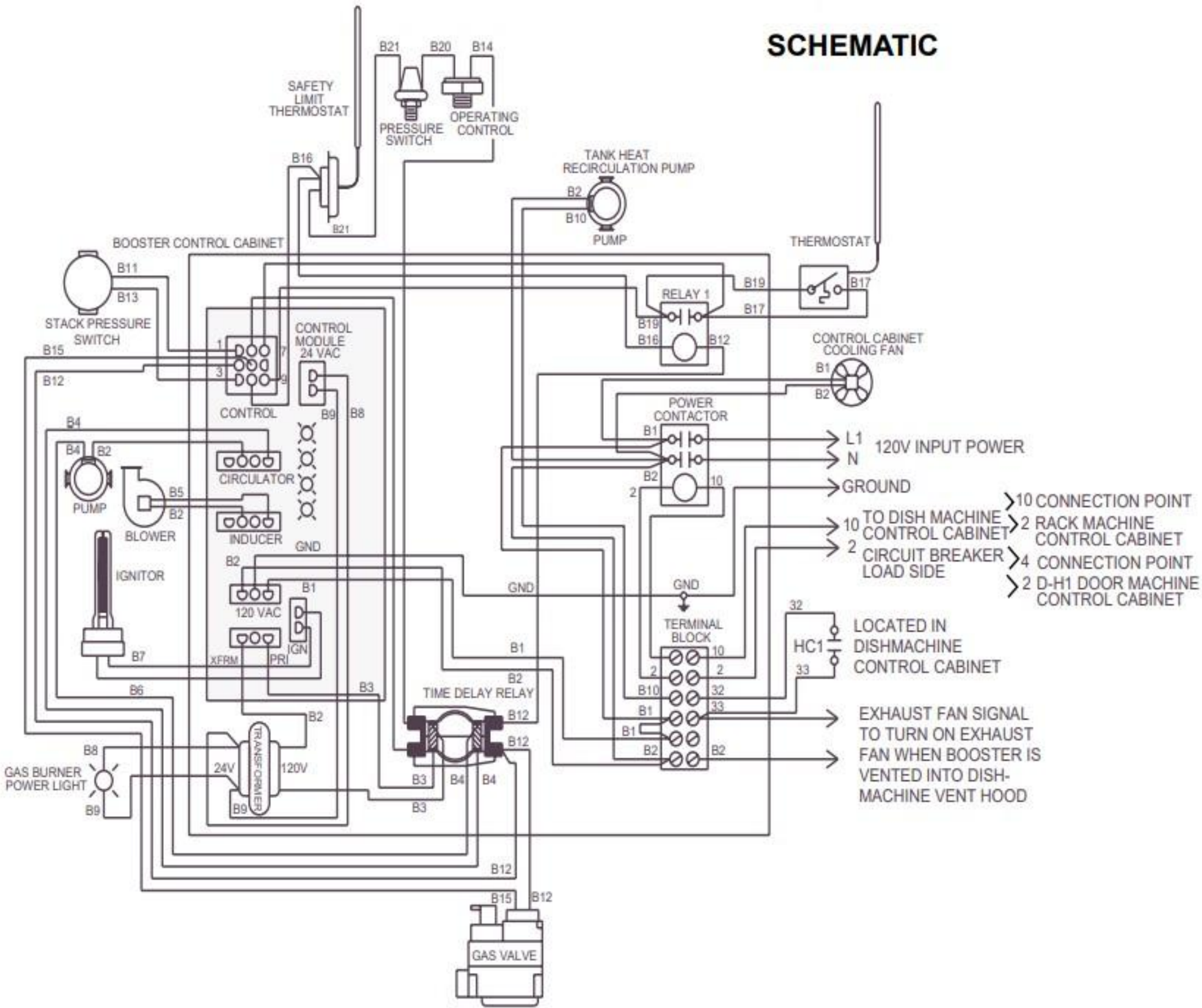


SCHEMATIC



- >10 CONNECTION POINT
- >2 RACK MACHINE CONTROL CABINET
- >4 CONNECTION POINT
- >2 D-H1 DOOR MACHINE CONTROL CABINET

LOCATED IN DISHMACHINE CONTROL CABINET

EXHAUST FAN SIGNAL TO TURN ON EXHAUST FAN WHEN BOOSTER IS VENTED INTO DISH-MACHINE VENT HOOD

