

**CHICAGO FAUCETS**<sup>®</sup>

a Geberit company

2100 South Clearwater Drive  
Des Plaines, IL 60018  
Phone: 847-803-5000  
Fax: 847-803-5454  
www.chicagofaucets.com

**REPAIR PARTS**

BY: SID DATE: 06-29-11

CHK: *[Signature]* REV:

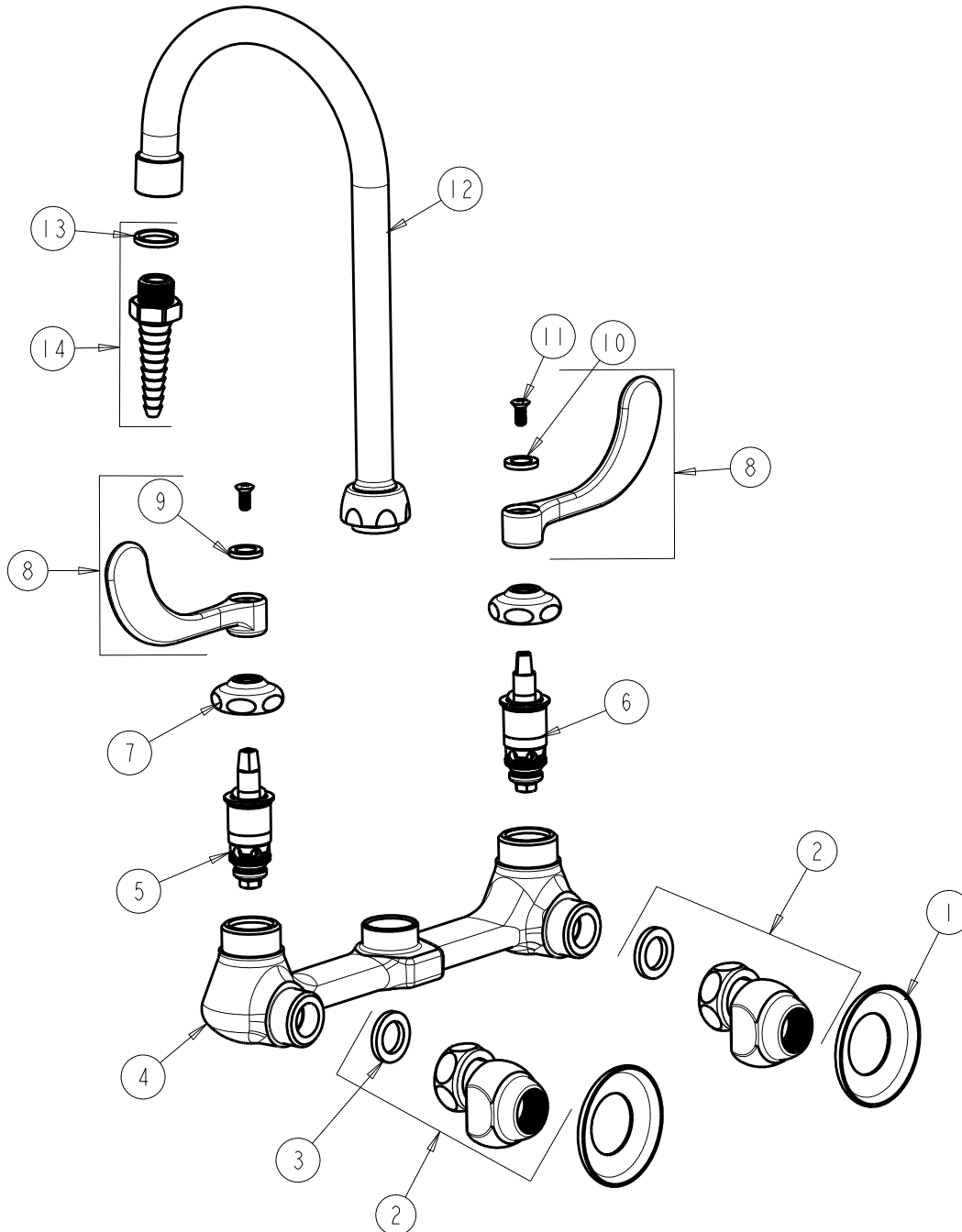
FITTING NO.

**942-317CP**

SUBMITTED MODEL NO.

ITEM NO.

**FOR TECHNICAL ASSISTANCE**  
1-800-TEC-TRUE (1-800-832-8783)



ITEM	PART NO.	DESCRIPTION	ITEM	PART NO.	DESCRIPTION
1	1-055JKCP	FLANGE	8	317-PRJKCP	HANDLE, 4" WRISTBLADE (PAIR)
2	GJKCP	'G' ARM (INCLUDES WASHER)	9	633-123JKNF	INDEX BUTTON (BLUE)
3	1-011JKNF	WASHER, .97 X .62 X .12	10	633-023JKNF	INDEX BUTTON (RED)
4	—	VALVE BODY (NOT SOLD SEPARATELY)	11	420-010JKRCF	SCREW, 10-32 UNC PH 1/2
5	1-099XTJKNF	QUATURN UNIT (RH)	12	GN2BJKCP	FOR PARTS SEE GN2BJKCP
6	1-100XTJKNF	QUATURN UNIT (LH)	13	229-003JKNF	WASHER
7	1-214JKCP	CAP	14	E7JKCP	SERRATED HOSE NOZZLE