



a Geberit company

2100 South Clearwater Drive
Des Plaines, IL 60018
Phone: 847-803-5000
Fax: 847-803-5454
www.chicagofaucets.com

REPAIR PARTS

BY: SID DATE: 10-21-14

CHK: *[Signature]* REV:

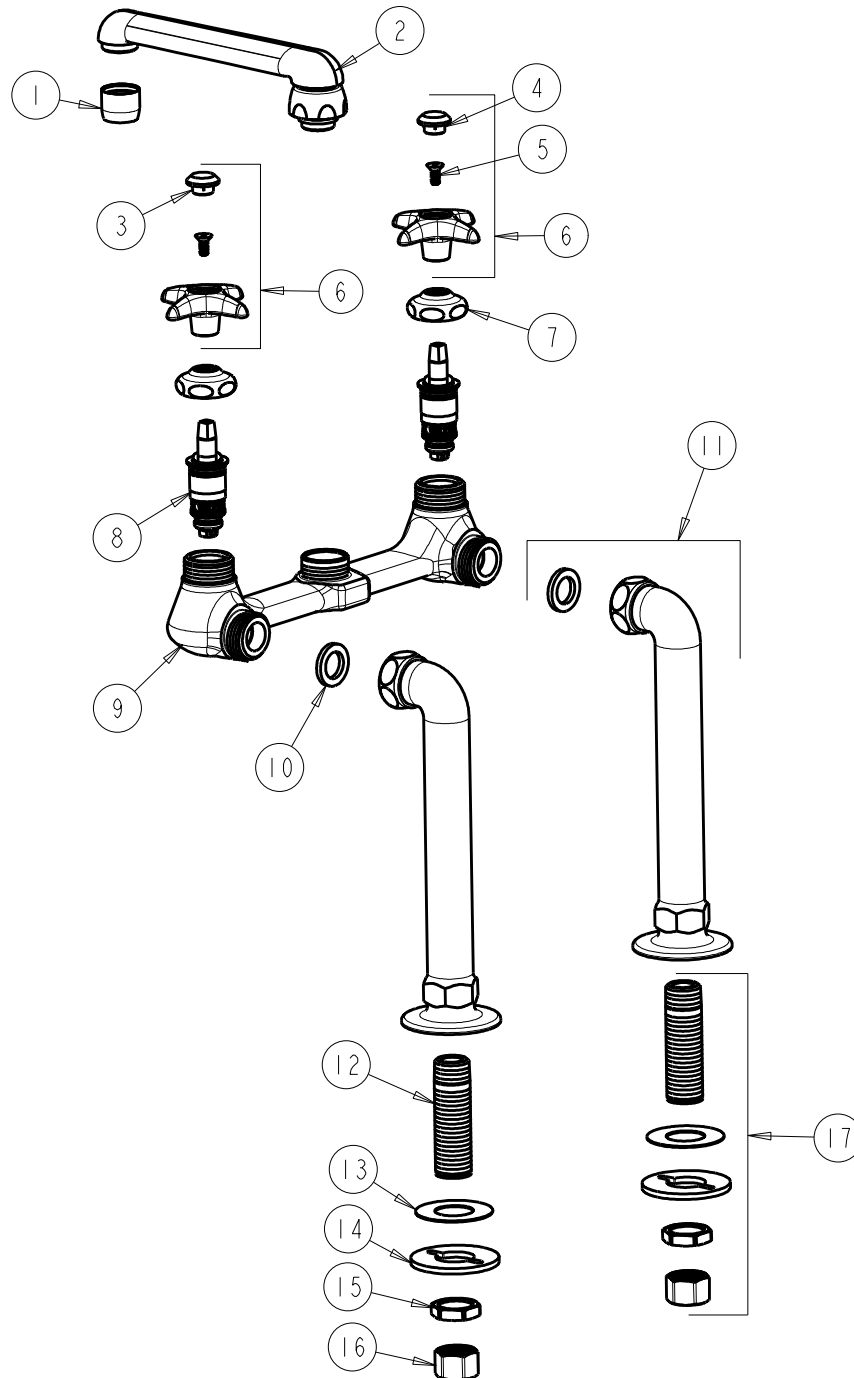
FITTING NO.

941-ABCP

SUBMITTED MODEL NO.

ITEM NO.

FOR TECHNICAL ASSISTANCE
1-800-TEC-TRUE (1-800-832-8783)



ITEM	PART NO.	DESCRIPTION	ITEM	PART NO.	DESCRIPTION
1	E3JKABCP	OUTLET, AERATOR 2.2 GPM	10	1-011JKABNF	WASHER, .97 X .62 X .12
2	S6LEQKAB	SPOUT, CAST 6" C-C	11	LSJKABCP	TALL ANGLE INLET SUPPLY ARM
3	216-178JKNF	BUTTON 'CW'	12	748-002JKABRBF	INLET SHANK 1/2-NPSM
4	216-128JKNF	BUTTON 'HW'	13	333-103JKNF	RUBBER WASHER
5	420-020JKNF	SCREW, 1/8 FLAT HEX HEAD X 1/2	14	807-112JKNF	WASHER
6	204-PRJKCP	HANDLE ASSEMBLY (PAIR)	15	49-004JKRBF	LOCKNUT
7	1-214JKCP	CAP	16	49-005JKRBF	COUPLING NUT
8	217-XTLHJKABNF	CARTRIDGE, SLO-COMPRESSION (LH)	17	748-002JKABRBF	SHANK ASSEMBLY
9	-----	VALVE BODY (NOT SOLD SEPARATELY)			