

**CHICAGO FAUCETS**  
a Geberit company

2100 South Clearwater Drive  
Des Plaines, IL 60018  
Phone: 847-803-5000  
Fax: 847-803-5454  
www.chicagofaucets.com

**FOR TECHNICAL ASSISTANCE**  
1-800-TEC-TRUE (1-800-832-8783)

# REPAIR PARTS

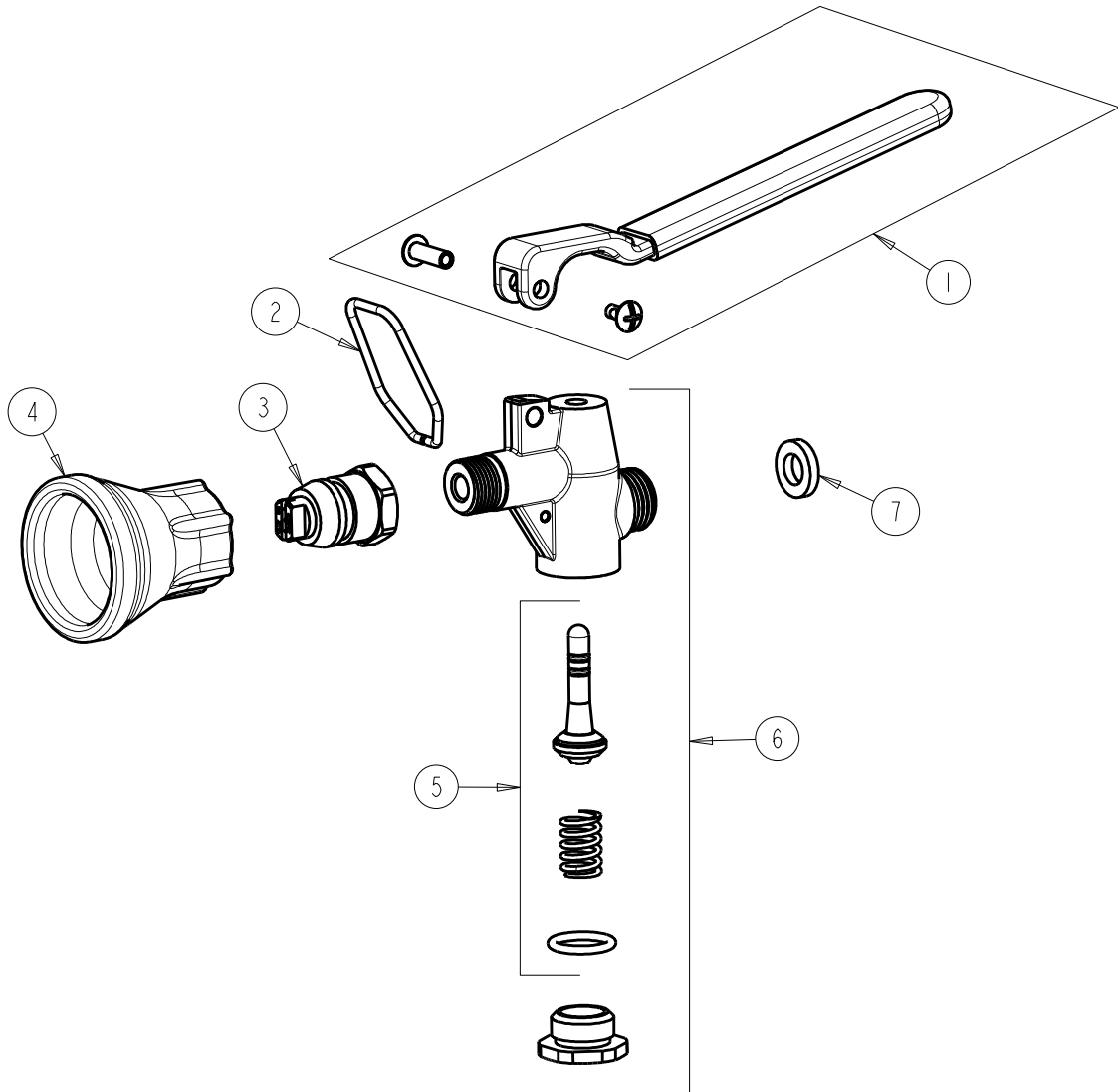
BY: JAR      DATE: 05-05-11  
CHK: *JAR*      REV:

FITTING NO.

**90-HABCP**

SUBMITTED MODEL NO.

ITEM NO.



**NOTES:**

1. ITEM 6 SUPPLIED ASSEMBLED
2. ITEM 3 IS ADHESIVED TO VALVE AT THE FACTORY BUT IS AVAILABLE AS 'JK' ITEM.

| ITEM | PART NO.       | DESCRIPTION                   |
|------|----------------|-------------------------------|
| 1    | 90-001KJKNF    | KIT, PRE-RINSE HANDLE         |
| 2    | 919-153JKNF    | HANDLE CLIP                   |
| 3    | 919-152JKABNF  | NOZZLE 2.5 GPM                |
| 4    | 919-151JKNF    | BUMPER, RUBBER                |
| 5    | 919-130KJKABNF | KIT, VALVE STEM ASSEMBLY      |
| 6    | 919-430KJKABCP | KIT, PRE-RINSE VALVE ASSEMBLY |
| 7    | 919-243JKNF    | GASKET, .685 X .375 X .125    |