

CHICAGO FAUCETS
a Geberit company

2100 South Clearwater Drive
Des Plaines, IL 60018
Phone: 847-803-5000
Fax: 847-803-5454
www.chicagofaucets.com

FOR TECHNICAL ASSISTANCE
1-800-TEC-TRUE (1-800-832-8783)

REPAIR PARTS

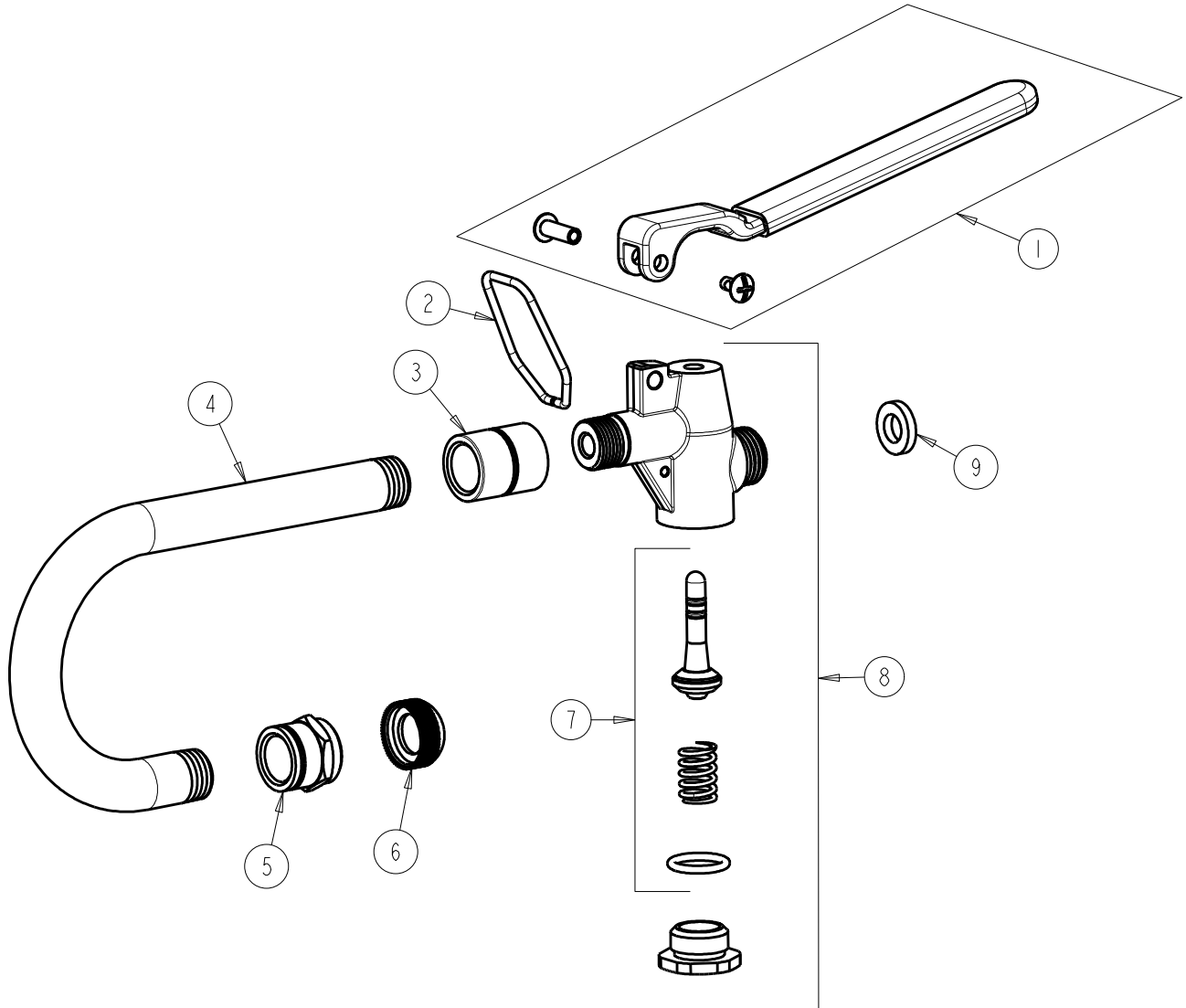
BY: JAR DATE: 05-05-11
CHK: *[Signature]* REV:

FITTING NO.

90-GNABCP

SUBMITTED MODEL NO.

ITEM NO.



NOTES:

1. ITEM 7 SUPPLIED ASSEMBLED.
2. ITEM 3, 4 AND 5 ARE ADHESIVED TO VALVE BODY AT THE FACTORY BUT ARE AVAILABLE AS 'JK' ITEM.

ITEM	PART NO.	DESCRIPTION
1	90-001KJKNF	KIT, PRE-RINSE HANDLE
2	919-153JKNF	HANDLE CLIP
3	777-027JKABCP	COUPLING
4	225-001JKCP	TUBE SPOUT
5	225-002JKABCP	ADAPTER
6	E1JKABRCF	PLAIN OUTLET WITH SCREEN
7	919-130KJKABNF	KIT, VALVE STEM ASSEMBLY
8	919-430KJKABCP	KIT, PRE-RINSE VALVE ASSEMBLY
9	919-243JKNF	GASKET, .685 X .375 X .125