

CHICAGO FAUCETS
a Geberit company

2100 South Clearwater Drive
Des Plaines, IL 60018
Phone: 847-803-5000
Fax: 847-803-5454
www.chicagofaucets.com

REPAIR PARTS

BY: JAR DATE: 04-09-02
CHK: [Signature] REV: 06-11-12

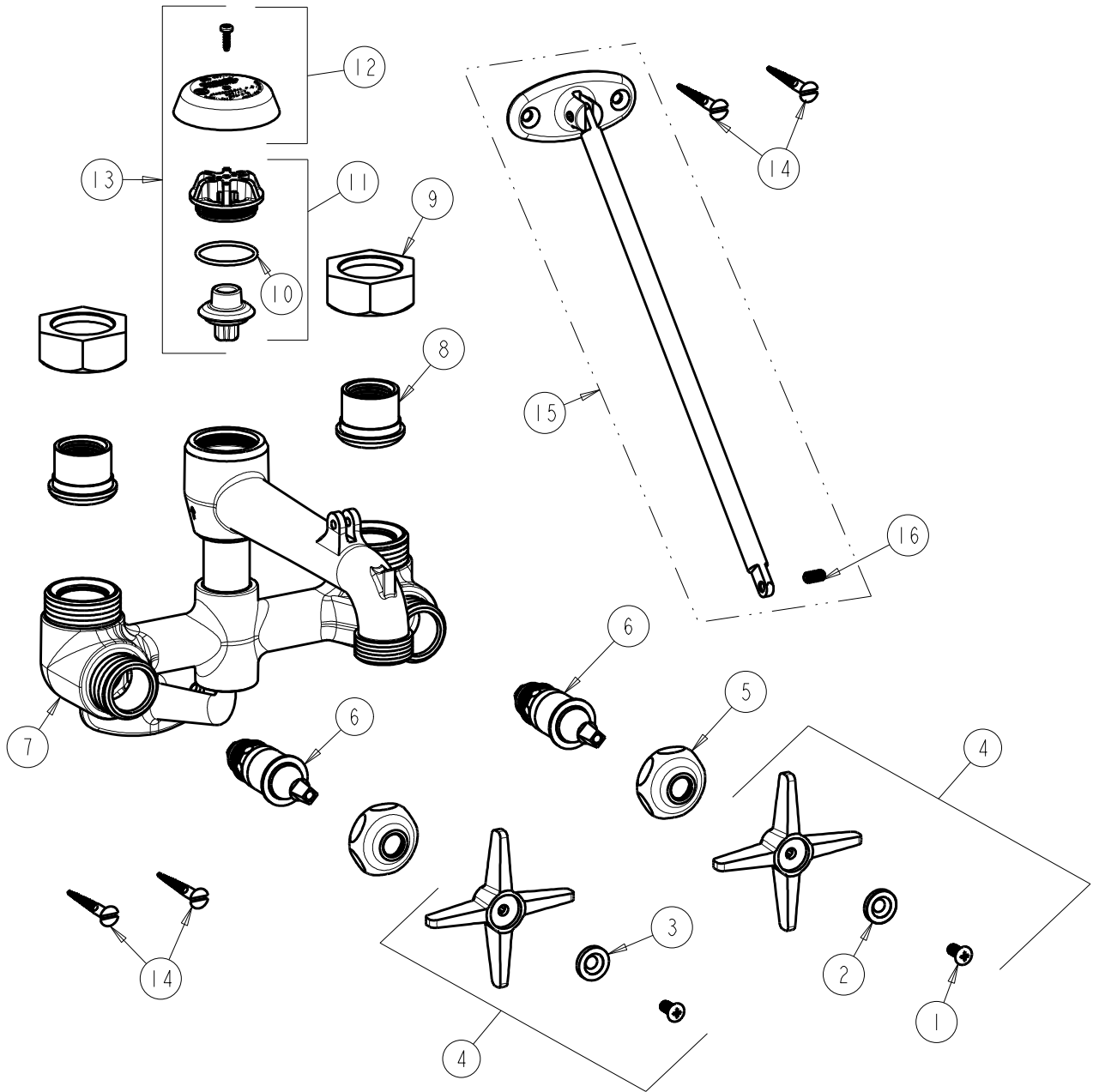
FITTING NO.

835-CP

SUBMITTED MODEL NO.

ITEM NO.

FOR TECHNICAL ASSISTANCE
1-800-TEC-TRUE (1-800-832-8783)



ITEM	PART NO.	DESCRIPTION	ITEM	PART NO.	DESCRIPTION
1	420-010JKRCF	SCREW, 10-32 UNC PH 1/2	9	177-002JKCP	UNION NUT
2	633-123JKNF	INDEX BUTTON (BLUE)	10	80-007JKNF	O RING 0.989 X .070
3	633-023JKNF	INDEX BUTTON (RED)	11	892-302JKKNF	VACUUM BREAKER REPAIR KIT
4	633-PRJKCP	4-ARM HANDLE ASSEMBLY	12	892-254JKKCP	VACUUM BREAKER COVER w/ SCREW
5	1-214JKCP	CAP	13	892-402JKKNF	KIT, VACUUM BREAKER ASSEMBLY
6	1-100XTJKNF	QUATURN CARTRIDGE (LH)	14	173-006JKCP	FLAT HEAD WOOD SCREW
7	---	VALVE BODY	15	897-013JKKCP	BRACE ROD ASSEMBLY
8	177-003JKCP	UNION TAILPIECE	16	665-116JKNF	SET SCREW