



2100 South Clearwater Drive
Des Plaines, IL 60018
Phone: 847-803-5000
Fax: 847-803-5454
www.chicagofaucets.com

FOR TECHNICAL ASSISTANCE
1-800-TEC-TRUE (1-800-832-8783)

ROUGH-IN

BY: SID DATE: 04-07-15
CHK: REV: *S/D*

FITTING NO.

83-XXABNF

SUBMITTED MODEL NO.

SUBMITTED AS SHOWN

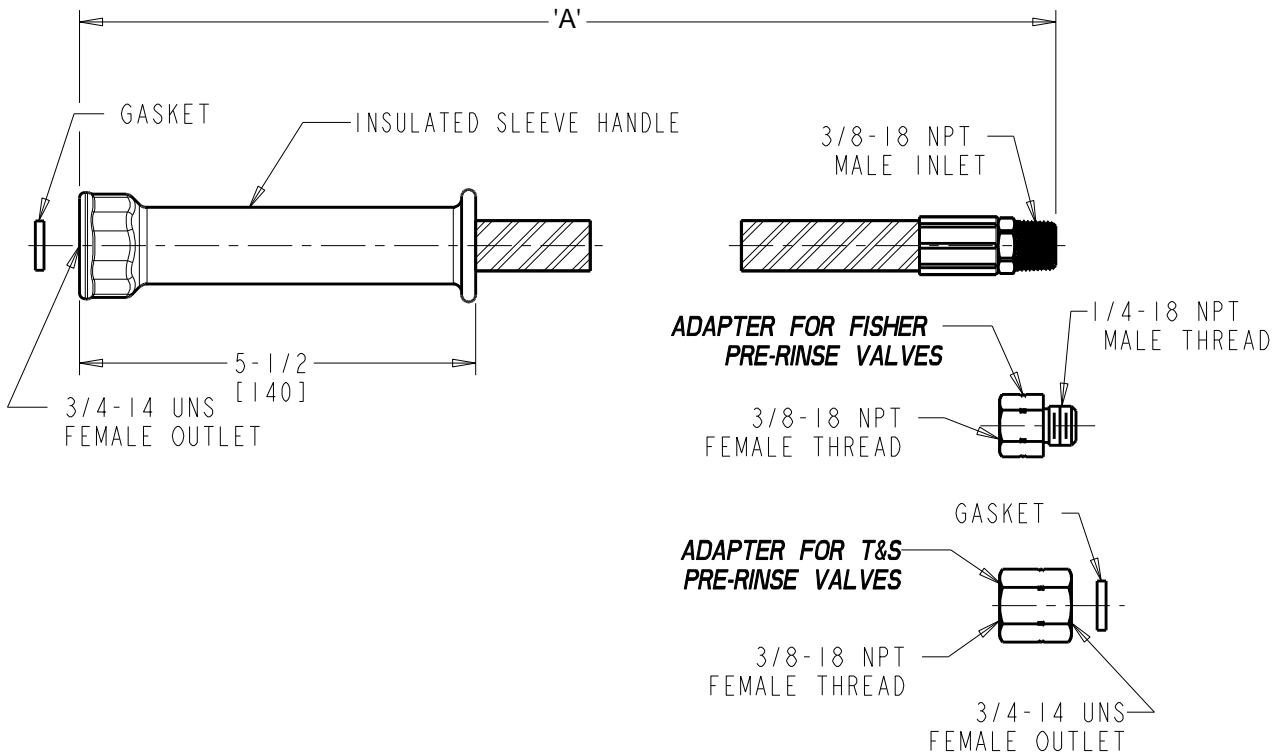
SUBMITTED AS NOTED

SEE ATTACHED FOR
SUBMITTED MODIFICATION

JOB NAME

ITEM NO.

FITTING NO.	'A'	
	IN	CM
83-29ABNF	29	74
83-44ABNF	44	112
83-58ABNF	58	147
83-77ABNF	77	196



DIMENSIONS ARE IN INCHES AND [MILLIMETERS].

TECHNICAL DATA

- FLEXIBLE STAINLESS STEEL HOSE WITH INTEGRAL GRANITE GREY INSULATED HANDLE
- FINISH: NO FINISH

ROUGHING IN DIMENSIONS MAY VARY AND ARE SUBJECT TO CHANGE. NO RESPONSIBILITY IS ASSUMED FOR USE OF SUPERCEDED OR VOIDED DATA.