

CHICAGO FAUCETS

a Geberit company

2100 South Clearwater Drive
Des Plaines, IL 60018
Phone: 847-803-5000
Fax: 847-803-5454
www.chicagofaucets.com

REPAIR PARTS

BY: SID DATE: 01-27-15
CHK: *AS* REV:

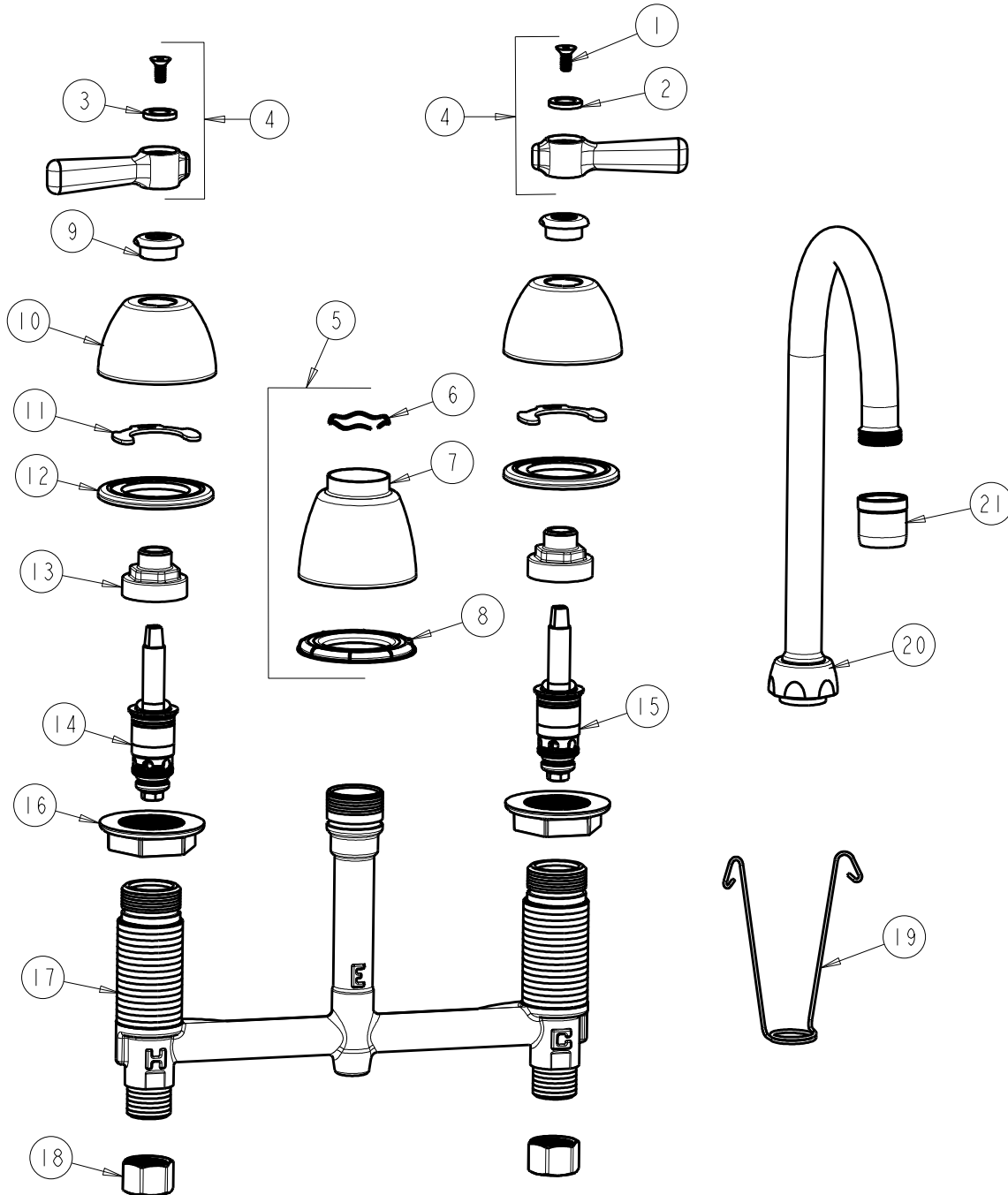
FITTING NO.

786-E29-369ABCP

SUBMITTED MODEL NO.

ITEM NO.

FOR TECHNICAL ASSISTANCE
1-800-TEC-TRUE (1-800-832-8783)



| ITEM | PART NO. | DESCRIPTION | ITEM | PART NO. | DESCRIPTION |
|------|--------------|--------------------------------|------|----------------|----------------------------|
| 1 | 420-020JKNF | SCREW, 1/8 FLAT HEX HEAD X 1/2 | 12 | 888-026JKNF | WASHER, SEALING |
| 2 | 633-123JKNF | INDEX BUTTON (BLUE) | 13 | 274-014JKRBF | NUT, CAP |
| 3 | 633-023JKNF | INDEX BUTTON (RED) | 14 | 377-XTLHJKABNF | LH QUATURN CARTRIDGE |
| 4 | 369-PRJKCP | HANDLE, 2-3/8" LEVER (PAIR) | 15 | 377-XTRHJKABNF | RH QUATURN CARTRIDGE |
| 5 | 785-400JKKCP | KIT, SPOUT ESCUTCHEON | 16 | 250-004JKNF | LOCKNUT |
| 6 | 50-038JKNF | WAVE WASHER | 17 | ----- | BODY, VALVE |
| 7 | 785-400JKCP | ESCUTCHEON, SPOUT BASE | 18 | 49-005JKRBF | COUPLING NUT |
| 8 | 888-027JKNF | SPOUT ESCUTCHEON WASHER | 19 | 200-008JKNF | HANGER |
| 9 | 422-113JKCP | ESCUTCHEON NUT | 20 | GN2AJKABCP | SPOUT, GN SPOUT 5-1/4" C-C |
| 10 | 250-082JKCP | ESCUTCHEON | 21 | E29JKABCP | OUTLET, LAMINAR 2.2 GPM |
| 11 | 200-009JKNF | CLIP, RETAIN | | | |