

CHICAGO FAUCETS
 a Geberit company

2100 South Clearwater Drive
 Des Plaines, IL 60018
 Phone: 847-803-5000
 Fax: 847-803-5454
 www.chicagofaucets.com

REPAIR PARTS

BY: SID DATE: 12-05-16

CHK: *AR* REV:

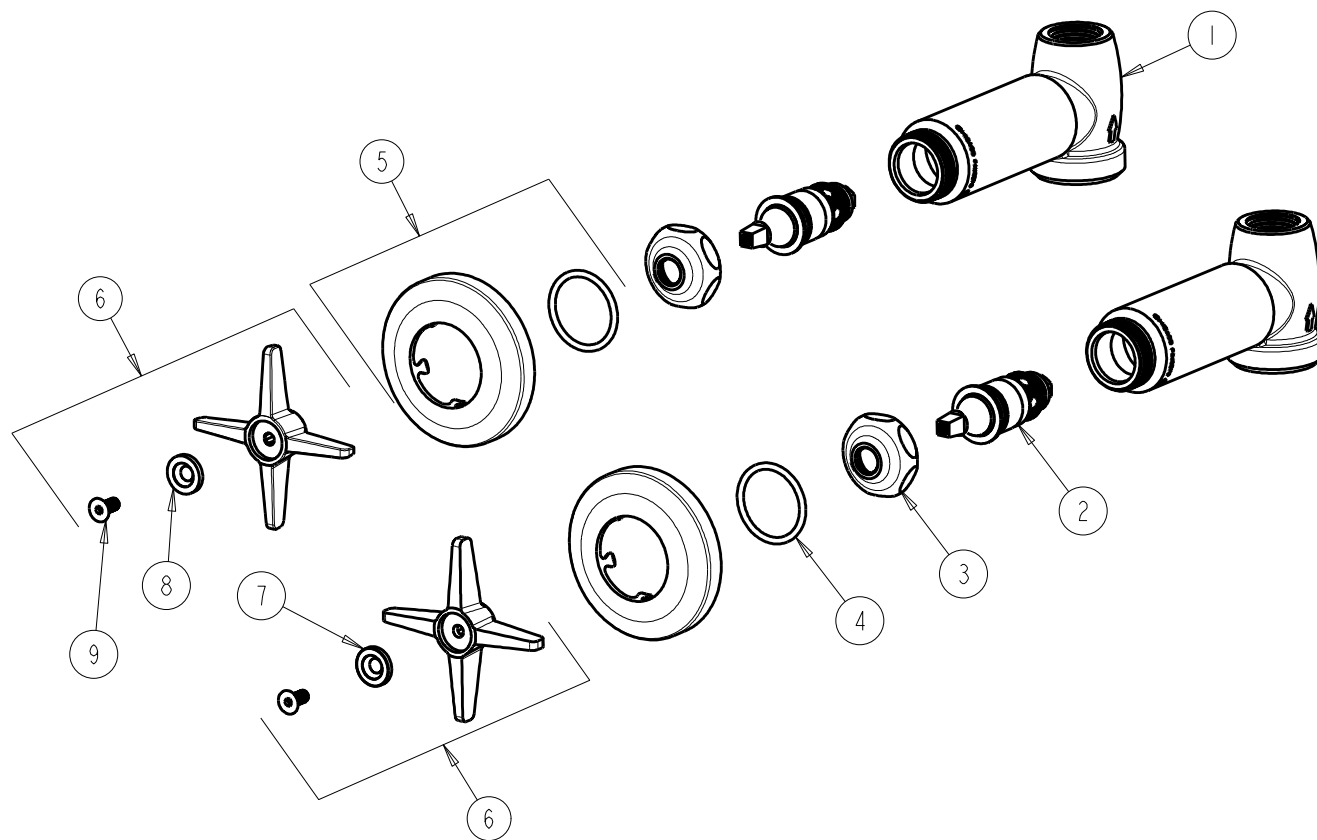
FITTING NO.

770-PRABCP

SUBMITTED MODEL NO.

ITEM NO.

FOR TECHNICAL ASSISTANCE
 1-800-TEC-TRUE (1-800-832-8783)



ITEM	PART NO.	DESCRIPTION
1	-----	VALVE BODY (NOT SODL SEPARATELY)
2	217-XTLHJKABNF	CARTRIDGE, SLO-COMPRESSION (LH)
3	1-214JKCP	CAP
4	5235-107JKNF	O-RING
5	633-201JKCP	FLANGE & O-RING
6	633-PRJKCP	4-ARM HANDLE ASSEMBLY
7	633-123JKNF	INDEX BUTTON (BLUE)
8	633-023JKNF	INDEX BUTTON (RED)
9	420-020JKNF	SCREW, 1/8 FLAT HEX HEAD X 1/2