

**CHICAGO FAUCETS**  
a Geberit company

2100 South Clearwater Drive  
Des Plaines, IL 60018  
Phone: 847-803-5000  
Fax: 847-803-5454  
www.chicagofaucets.com

**REPAIR PARTS**

BY: SID DATE: 11-01-11  
CHK: *[Signature]* REV:

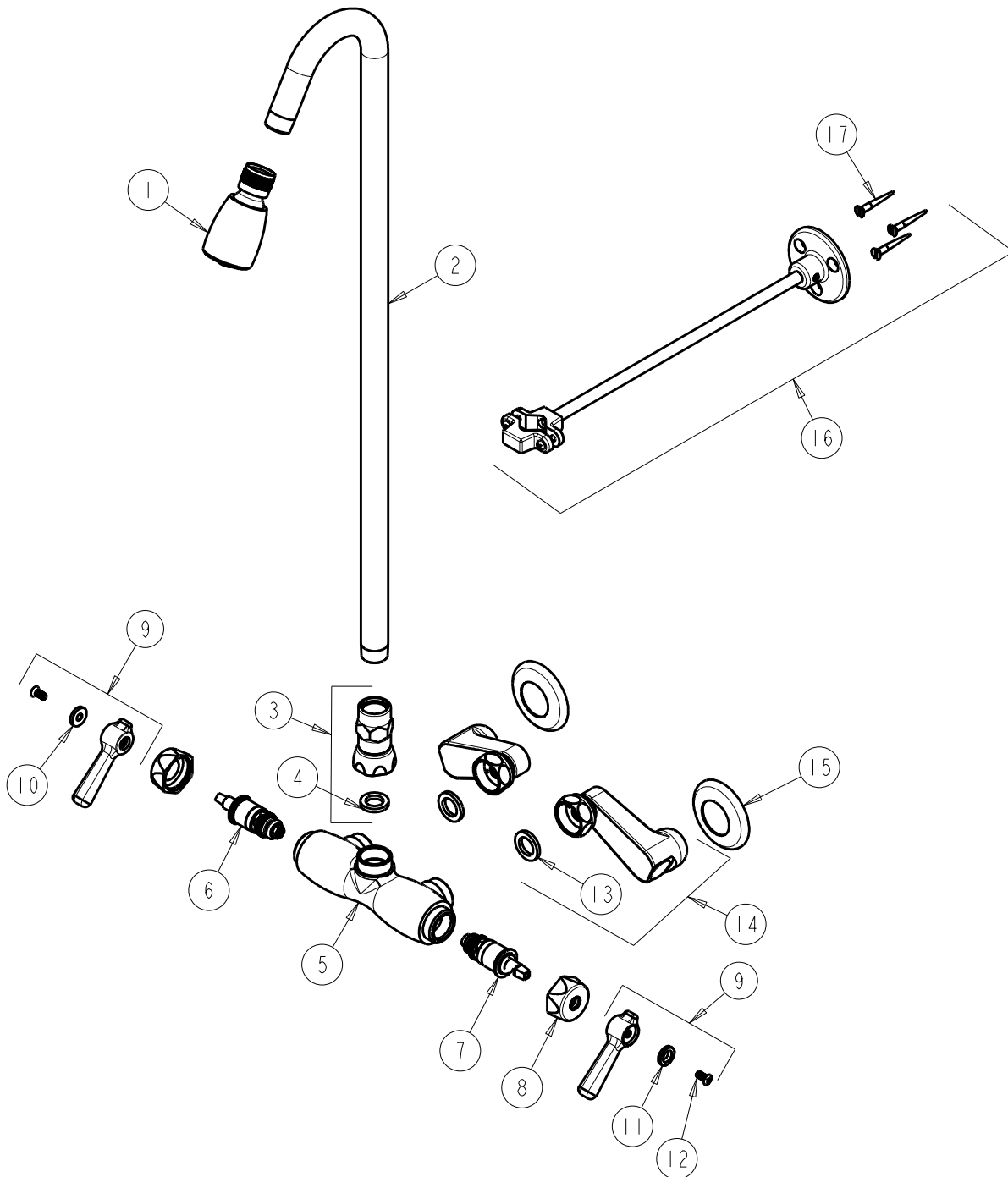
FITTING NO.

**756-RCP**

SUBMITTED MODEL NO.

ITEM NO.

**FOR TECHNICAL ASSISTANCE**  
1-800-TEC-TRUE (1-800-832-8783)



ITEM	PART NO.	DESCRIPTION	ITEM	PART NO.	DESCRIPTION
1	620-CP	SHOWER HEAD 2.5 GPM	10	633-023JKNF	INDEX BUTTON (RED)
2	462-122JKCP	RISER, 1/2" X 25"	11	633-123JKNF	INDEX BUTTON (BLUE)
3	BA1JKCP	ADAPTER	12	420-010JKRCF	SCREW, 10-32 UNC PH 1/2
4	340-004JKNF	CELCON WASHER	13	1-011JKNF	WASHER, .97 X .62 X .12
5	-----	VALVE BODY (NOT SOLD SEPARATELY)	14	RJKABCP	SUPPLY ARM WITH BUILT-IN SHUT-OFF
6	1-100XTJKNF	QUATURN CARTRIDGE (LH)	15	1-055JKCP	FLANGE
7	1-099XTJKNF	QUATURN CARTRIDGE (RH)	16	902-MJKCP	PIPE STRAP ASSEMBLY
8	444-005JKCP	CAP	17	173-006JKCP	FLAT HEAD SCREW
9	369-PRJKCP	LEVER HANDLE ASSEMBLY (PAIR)			