

CHICAGO FAUCETS 

a Geberit company

2100 South Clearwater Drive
Des Plaines, IL 60018
Phone: 847-803-5000
Fax: 847-803-5454
www.chicagofaucets.com

REPAIR PARTS

BY: SID DATE: 06-24-04

CHK: ~~04~~ REV: 07-18-19

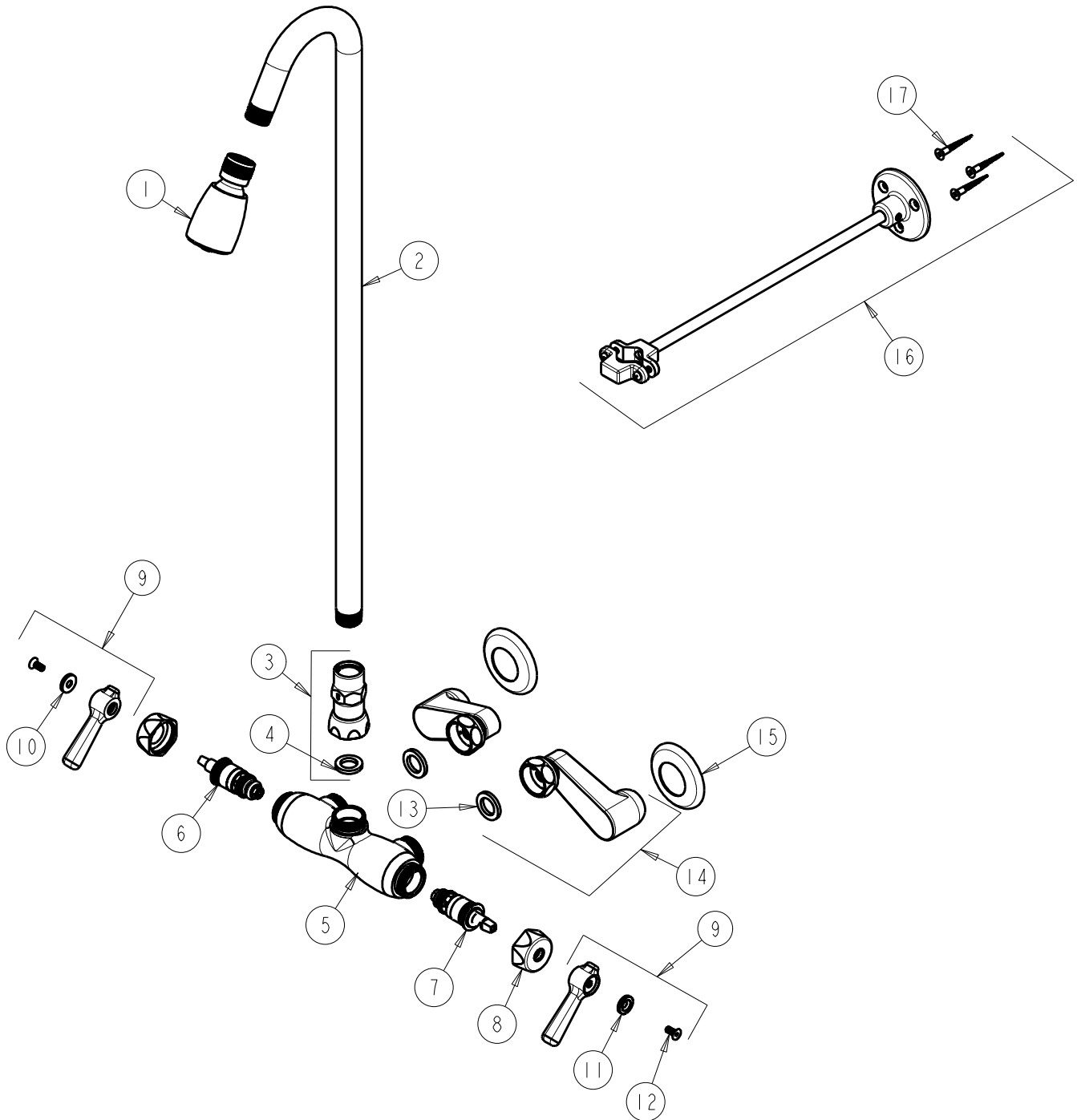
FITTING NO.

756-CP

SUBMITTED MODEL NO.

ITEM NO.

FOR TECHNICAL ASSISTANCE
1-800-TEC-TRUE (1-800-832-8783)



ITEM	PART NO.	DESCRIPTION	ITEM	PART NO.	DESCRIPTION
1	620-CP	SHOWER HEAD 2.5 GPM	10	633-023JKNF	INDEX BUTTON (RED)
2	462-122JKCP	RISER, 1/2" X 25"	11	633-123JKNF	INDEX BUTTON (BLUE)
3	BA1JKABCP	COUPLING ASSEMBLY	12	420-020JKNF	SCREW, 1/8 FLAT HEX HEAD X 1/2
4	340-004JKABNF	CELCON WASHER	13	1-011JKABNF	WASHER, .97 X .62 X .12
5	-----	VALVE BODY (NOT SOLD SEPARATELY)	14	HJKABCP	ARM ASSEMBLY w/WASHER
6	1-100XTJKABNF	QUATURN CARTRIDGE (LH)	15	1-055JKCP	FLANGE
7	1-099XTJKABNF	QUATURN CARTRIDGE (RH)	16	902-MJKCP	PIPE STRAP ASSEMBLY
8	444-005JKCP	CAP	17	173-206JKCP	FLAT HEAD SCREW
9	369-PRJKCP	HANDLE, 2-3/8" LEVER (PAIR)			