

**CHICAGO FAUCETS**  
a Geberit company

2100 South Clearwater Drive  
Des Plaines, IL 60018  
Phone: 847-803-5000  
Fax: 847-803-5454  
www.chicagofaucets.com

**REPAIR PARTS**

FITTING NO.

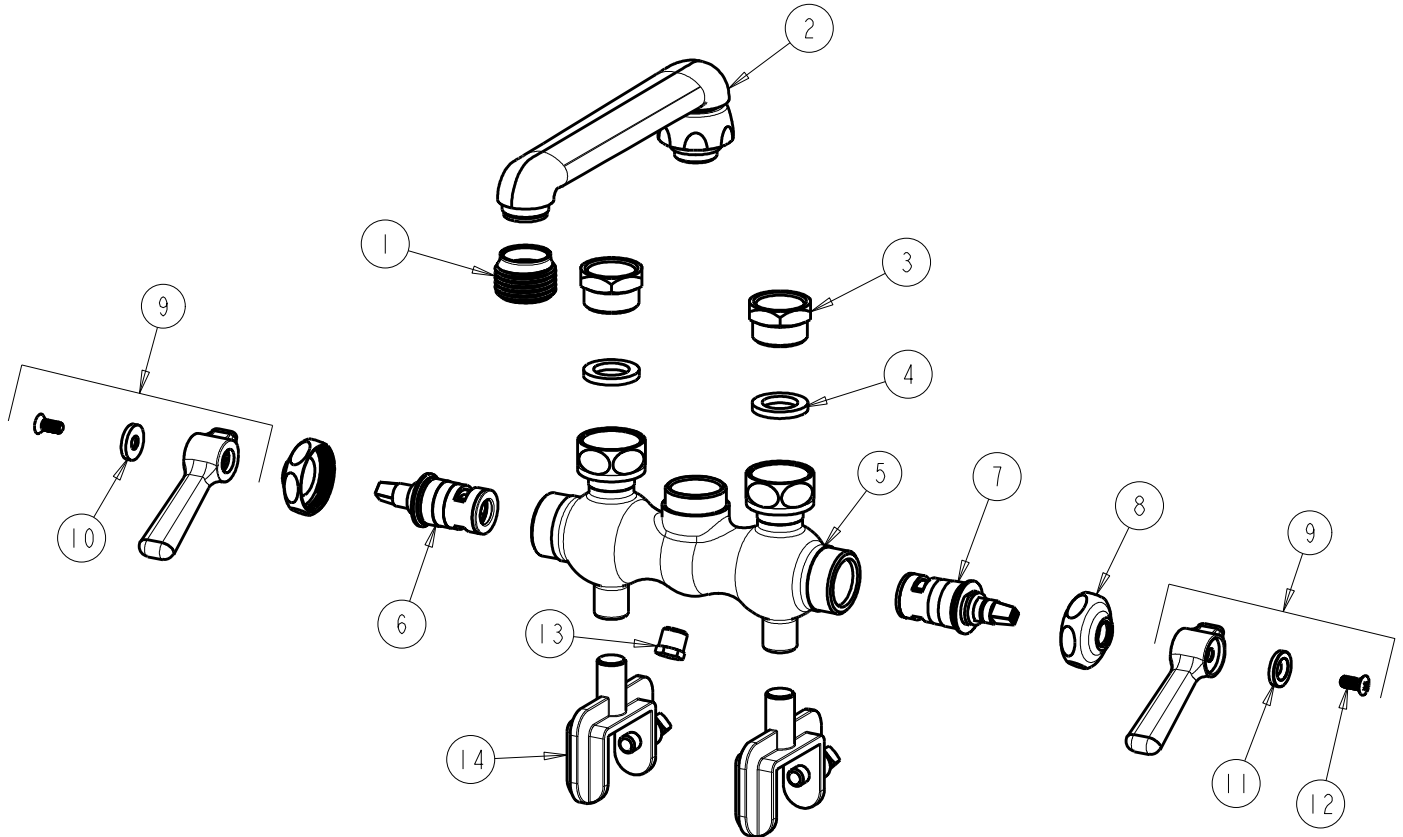
**686-XKRCF**

SUBMITTED MODEL NO.

ITEM NO.

**FOR TECHNICAL ASSISTANCE**  
1-800-TEC-TRUE (1-800-832-8783)

BY: SID    DATE: 11-01-11  
CHK: *[Signature]*    REV:



ITEM	PART NO.	DESCRIPTION	ITEM	PART NO.	DESCRIPTION
1	E2JKRCF	3/4 MALE HOSE THREAD OUTLET	8	1-214JKCP	CAP
2	S6LESSE3JKCP	CAST SPOUT ASSEMBLY	9	369-PRJKCP	LEVER HANDLE ASSEMBLY (PAIR)
3	686-014JKRCF	NUT	10	633-023JKNF	INDEX BUTTON (RED)
4	1-011JKNF	WASHER, .97 X .62 X .12	11	633-123JKNF	INDEX BUTTON (BLUE)
5	---	VALVE BODY (NOT SOLD SEPARATELY)	12	420-010JKRCF	SCREW, 10-32 UNC PH 1/2
6	1-100XKJKNF	LH CERAMIC CARTRIDGE 1/4	13	686-003JKRCF	PLUG
7	1-099XKJKNF	RH CERAMIC CARTRIDGE 1/4	14	686-002JKRCF	BRACKET ASSEMBLY