

**CHICAGO FAUCETS**  
a Geberit company

2100 South Clearwater Drive  
Des Plaines, IL 60018  
Phone: 847-803-5000  
Fax: 847-803-5454  
www.chicagofaucets.com

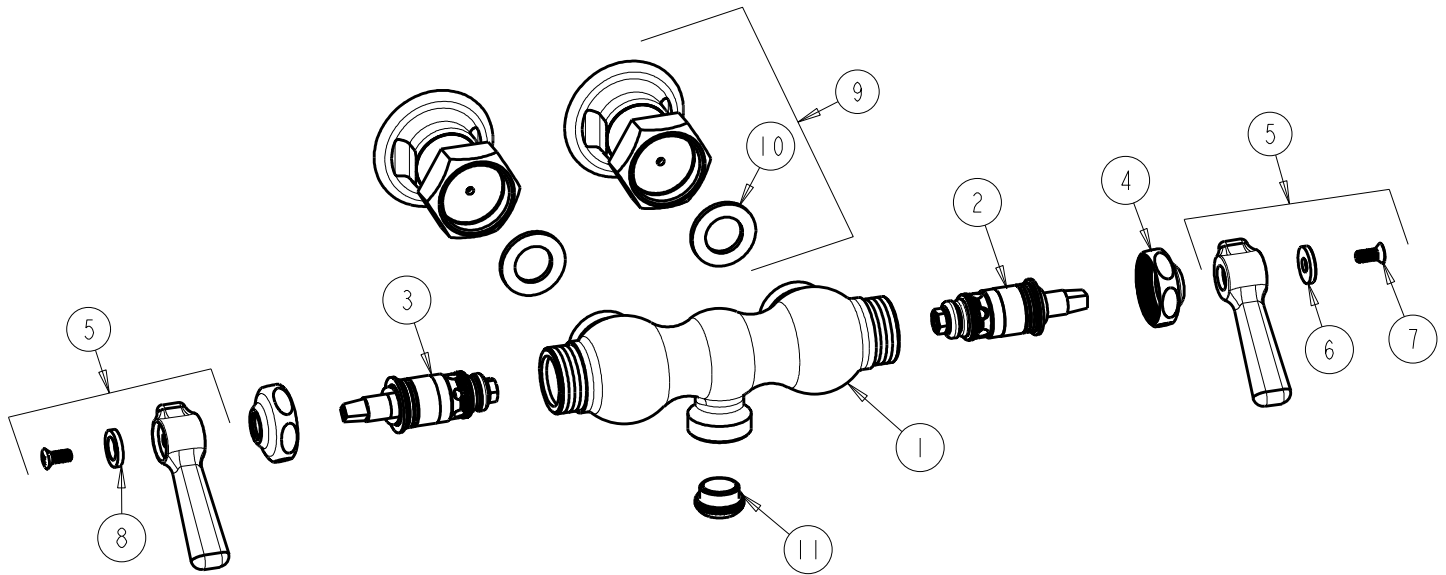
# REPAIR PARTS

BY: JAR    DATE: 10-25-11  
CHK: *JAR*    REV:

FITTING NO.  
**65-261ABRCF**  
SUBMITTED MODEL NO.

**FOR TECHNICAL ASSISTANCE**  
1-800-TEC-TRUE (1-800-832-8783)

ITEM NO.



| ITEM | PART NO.      | DESCRIPTION                      |
|------|---------------|----------------------------------|
| 1    | —             | BODY VALVE (NOT SOLD SEPARATELY) |
| 2    | 1-099XTJKABNF | QUATURN CARTRIDGE (RH)           |
| 3    | 1-100XTJKABNF | QUATURN CARTRIDGE (LH)           |
| 4    | 1-214JKCP     | CAP                              |
| 5    | 369-PRJKCP    | LEVER HANDLE ASSEMBLY (PAIR)     |
| 6    | 633-123JKNF   | INDEX BUTTON (BLUE)              |
| 7    | 420-010JKRCF  | SCREW, 10-32 UNC PH 1/2          |
| 8    | 633-023JKNF   | INDEX BUTTON (RED)               |
| 9    | 261-JKABRCF   | SHANK ASSEMBLY                   |
| 10   | 65-006JKNF    | WASHER                           |
| 11   | E1MJKABRCF    | QUIXTOP OUTLET                   |