



2100 South Clearwater Drive
Des Plaines, IL 60018
Phone: 847-803-5000
Fax: 847-803-5454
www.chicagofaucets.com

REPAIR PARTS

FITTING NO.

631-L9E35ABCP

SUBMITTED MODEL NO.

BY: SID

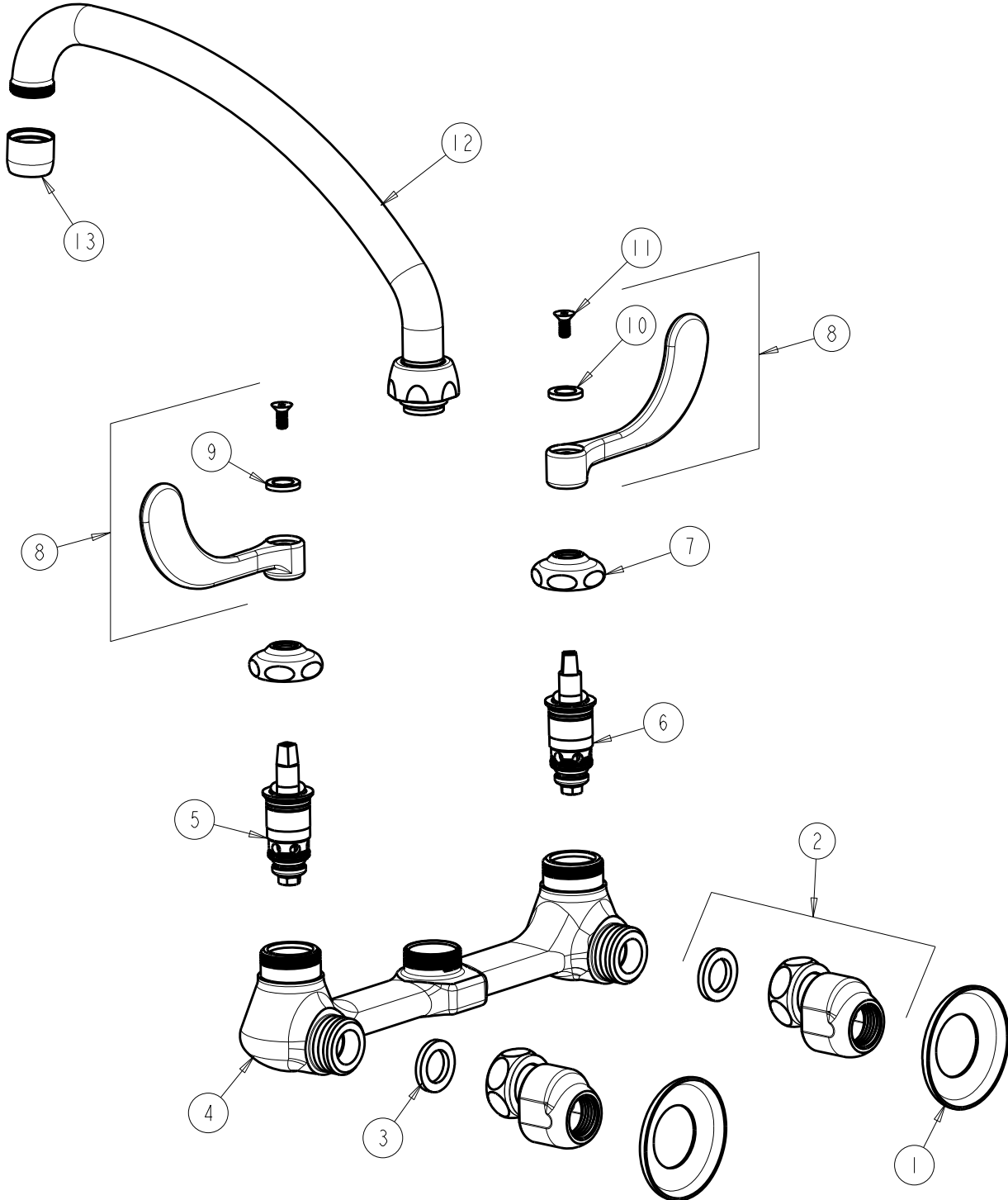
DATE: 06-25-21

CHK: *Joe*

REV:

ITEM NO.

FOR TECHNICAL ASSISTANCE
1-800-TEC-TRUE (1-800-832-8783)



ITEM	PART NO.	DESCRIPTION	ITEM	PART NO.	DESCRIPTION
1	1-055JKCP	FLANGE	8	317-PRJKCP	HANDLE, 4" WRISTBLADE (PAIR)
2	GJKABCP	ARM ASSEMBLY w/WASHER	9	633-123JKNF	INDEX BUTTON (BLUE)
3	1-011JKABNF	WASHER, .97 X .62 X .12	10	633-023JKNF	INDEX BUTTON (RED)
4	----	VALVE BODY (NOT SOLD SEPARATELY)	11	420-020JKNF	SCREW, 1/8 FLAT HEX HEAD X 1/2
5	1-099XTJKABNF	QUATURN CARTRIDGE (RH)	12	L9LEOJKAB	SPOUT, 9-1/2 C-C
6	1-100XTJKABNF	QUATURN CARTRIDGE (LH)	13	E35JKABCP	SOFTFLO AERATOR 2.2 GPM
7	1-214JKCP	CAP			