



a Geberit company

2100 South Clearwater Drive  
Des Plaines, IL 60018  
Phone: 847-803-5000  
Fax: 847-803-5454  
www.chicagofaucets.com

# REPAIR PARTS

BY: SID DATE: 11-25-14

CHK: *JAR* REV:

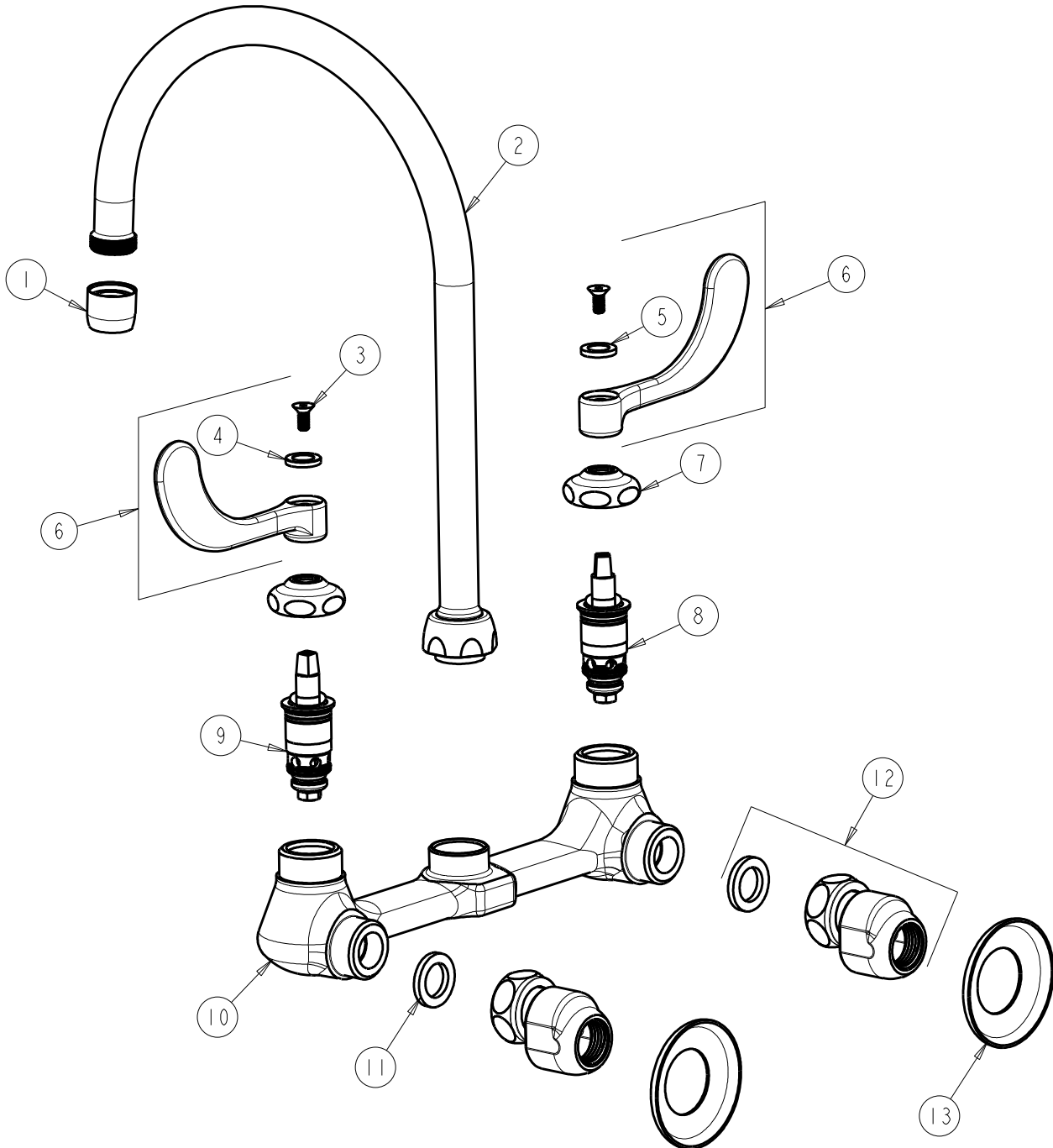
FITTING NO.

631-GN8AE3ABCP

SUBMITTED MODEL NO.

ITEM NO.

**FOR TECHNICAL ASSISTANCE**  
1-800-TEC-TRUE (1-800-832-8783)



ITEM	PART NO.	DESCRIPTION	ITEM	PART NO.	DESCRIPTION
1	E3JKABCP	SOFTFLO AERATOR 2.2 GPM	8	1-100XTJKABNF	QUATURN CARTRIDGE (LH)
2	GN8AJKABCP	SPOUT, GN 8" C-C	9	1-099XTJKABNF	QUATURN CARTRIDGE (RH)
3	420-020JKNF	SCREW, 1/8 FLAT HEX HEAD X 1/2	10	----	VALVE BODY (NOT SOLD SEPARATELY)
4	633-123JKNF	INDEX BUTTON (BLUE)	11	1-011JKABNF	WASHER, .97 X .62 X .12
5	633-023JKNF	INDEX BUTTON (RED)	12	GJKABCP	ARM ASSEMBLY w/WASHER
6	317-PRJKCP	HANDLE, 4" WRISTBLADE (PAIR)	13	1-055JKCP	FLANGE
7	1-214JKCP	CAP			