

CHICAGO FAUCETS
a Geberit company

2100 South Clearwater Drive
Des Plaines, IL 60018
Phone: 847-803-5000
Fax: 847-803-5454
www.chicagofaucets.com

REPAIR PARTS

FITTING NO.

540-LDL5VBCP

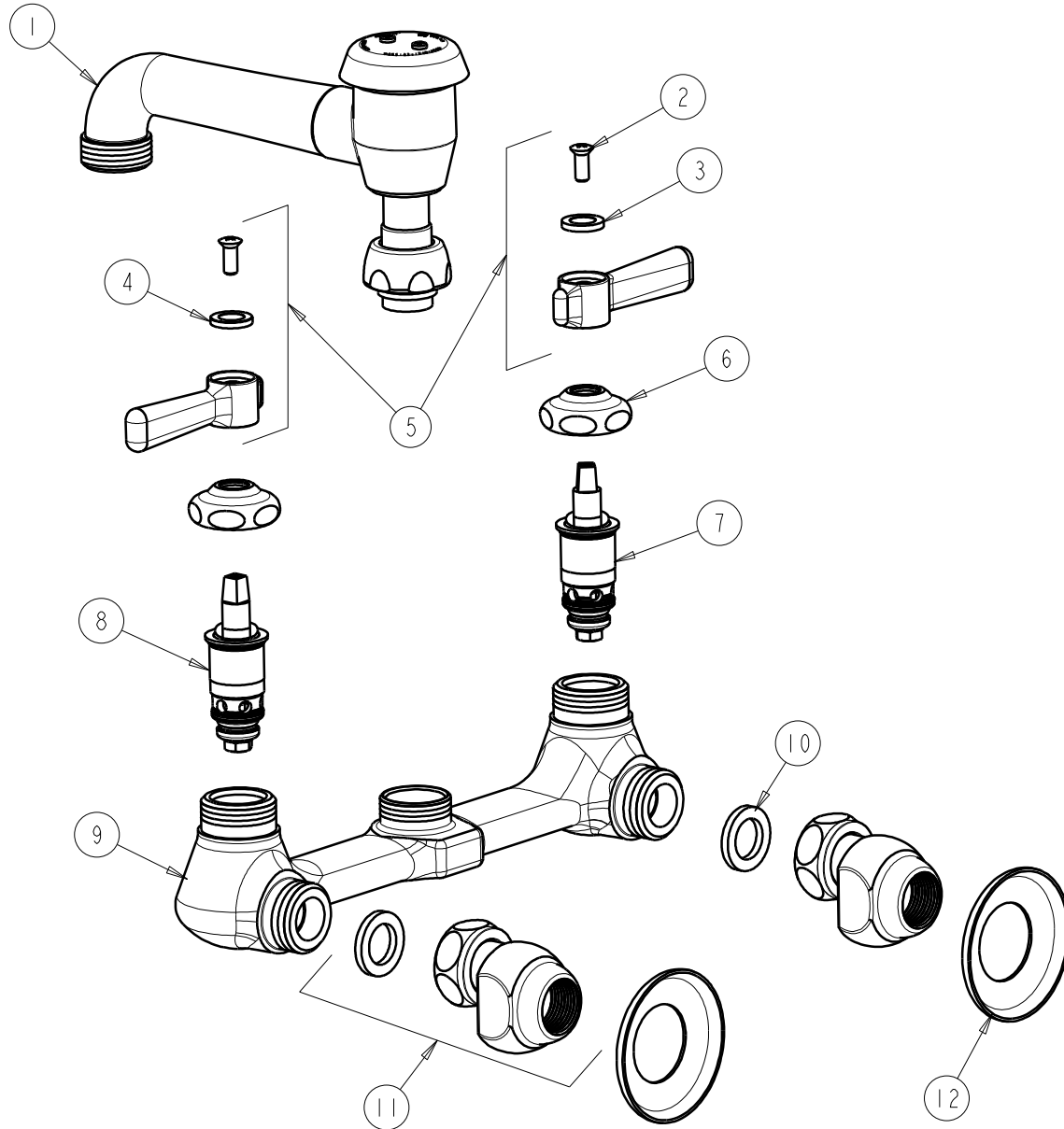
SUBMITTED MODEL NO.

ITEM NO.

FOR TECHNICAL ASSISTANCE
1-800-TEC-TRUE (1-800-832-8783)

BY: SID DATE: 02-20-09

CHK: *[Signature]* REV:



ITEM	PART NO.	DESCRIPTION	ITEM	PART NO.	DESCRIPTION
1	L5VBJKCP	FOR PARTS SEE L5VBJKCP	7	1-100XTJKNF	QUATURN UNIT (LH)
2	420-010JKRCF	SCREW, 10-32 UNC PH 1/2	8	1-099XTJKNF	QUATURN UNIT (RH)
3	633-023JKNF	INDEX BUTTON (RED)	9	----	VALVE BODY (NOT SOLD SEPARATELY)
4	633-123JKNF	INDEX BUTTON (BLUE)	10	1-011JKNF	WASHER, .97 X .62 X .12
5	369-PRJKCP	LEVER HANDLE ASSEMBLY (PAIR)	11	GJKCP	'G' ARM (INCLUDES WASHER)
6	1-214JKCP	CAP	12	1-055JKCP	FLANGE