



a Geberit company

2100 South Clearwater Drive  
Des Plaines, IL 60018  
Phone: 847-803-5000  
Fax: 847-803-5454  
www.chicagofaucets.com

# REPAIR PARTS

BY: SID DATE: 11-15-07

CHK: *AK* REV: 02-04-15

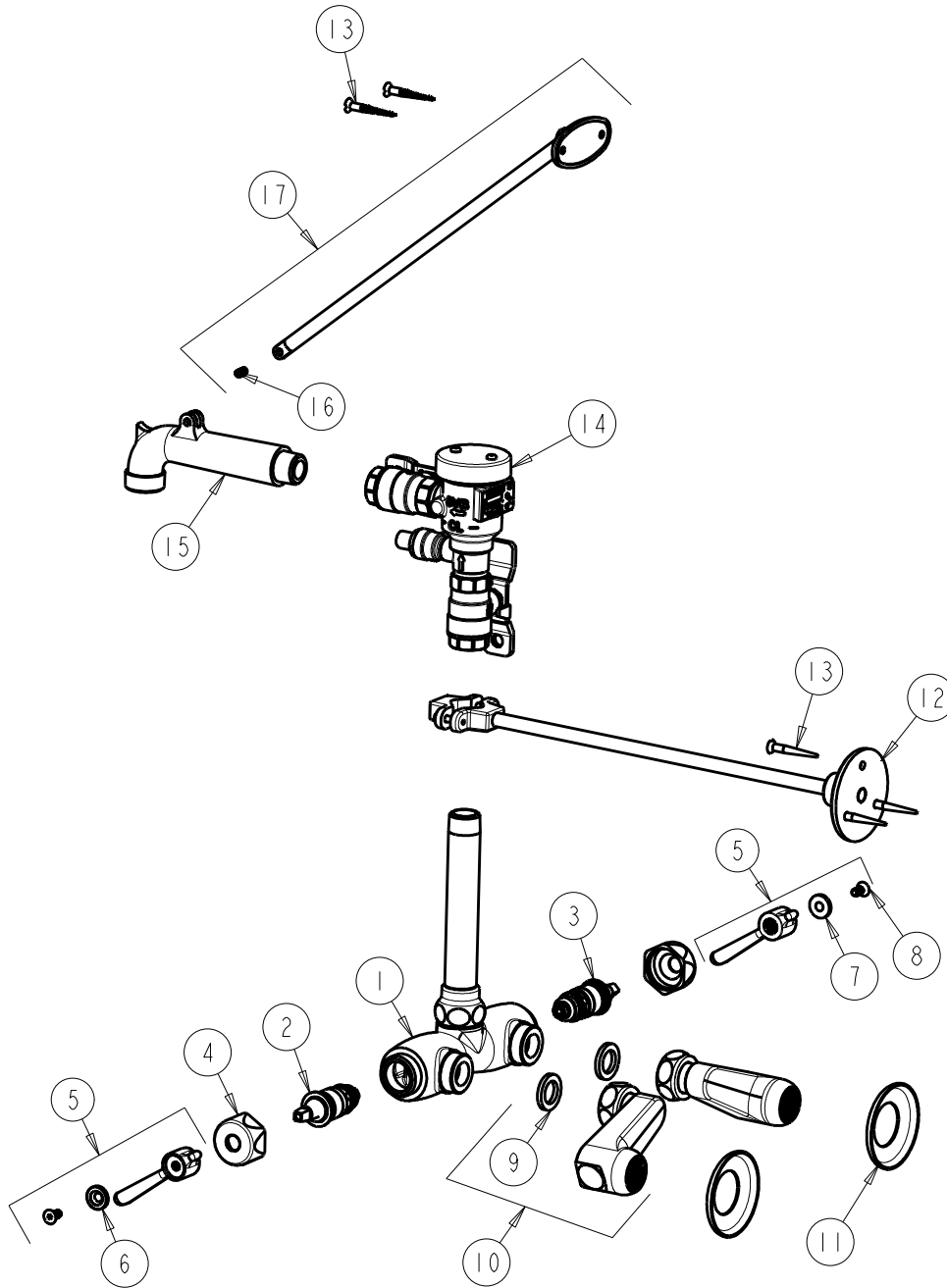
FITTING NO.

445-PVBCP

SUBMITTED MODEL NO.

ITEM NO.

**FOR TECHNICAL ASSISTANCE**  
1-800-TEC-TRUE (1-800-832-8783)



ITEM	PART NO.	DESCRIPTION	ITEM	PART NO.	DESCRIPTION
1	-----	VALVE BODY (NOT SOLD SEPARATELY)	10	RCJKABCP	ARM W/ BUILT-IN SHUT-OFF & CHECK
2	1-099XTJKABNF	QUATURN CARTRIDGE (RH)	11	1-055JKCP	FLANGE
3	1-100XTJKABNF	QUATURN CARTRIDGE (LH)	12	902-MJKCP	PIPE STRAP ASSEMBLY
4	444-005JKCP	CAP	13	173-006JKCP	FLAT HEAD SCREW
5	369-PRJKCP	HANDLE, 2-3/8 LEVER (PAIR)	14	892-044KJKRCF	PRESSURE VACUUM BREAKER
6	633-123JKNF	INDEX BUTTON (BLUE)	15	-----	BODY NOT SOLD SEPARATELY
7	633-023JKNF	INDEX BUTTON (RED)	16	665-116JKNF	SET SCREW
8	420-020JKNF	SCREW, 1/8 FLAT HEX HEAD X 1/2	17	897-018KJKCP	BRACE ROD ASSEMBLY 12"
9	1-011JKABNF	WASHER, .97 X .62 X .12			