



a Geberit company

2100 South Clearwater Drive  
Des Plaines, IL 60018  
Phone: 847-803-5000  
Fax: 847-803-5454  
www.chicagofaucets.com

# REPAIR PARTS

BY: JAR DATE: 04-17-14

CHK: S/D REV:

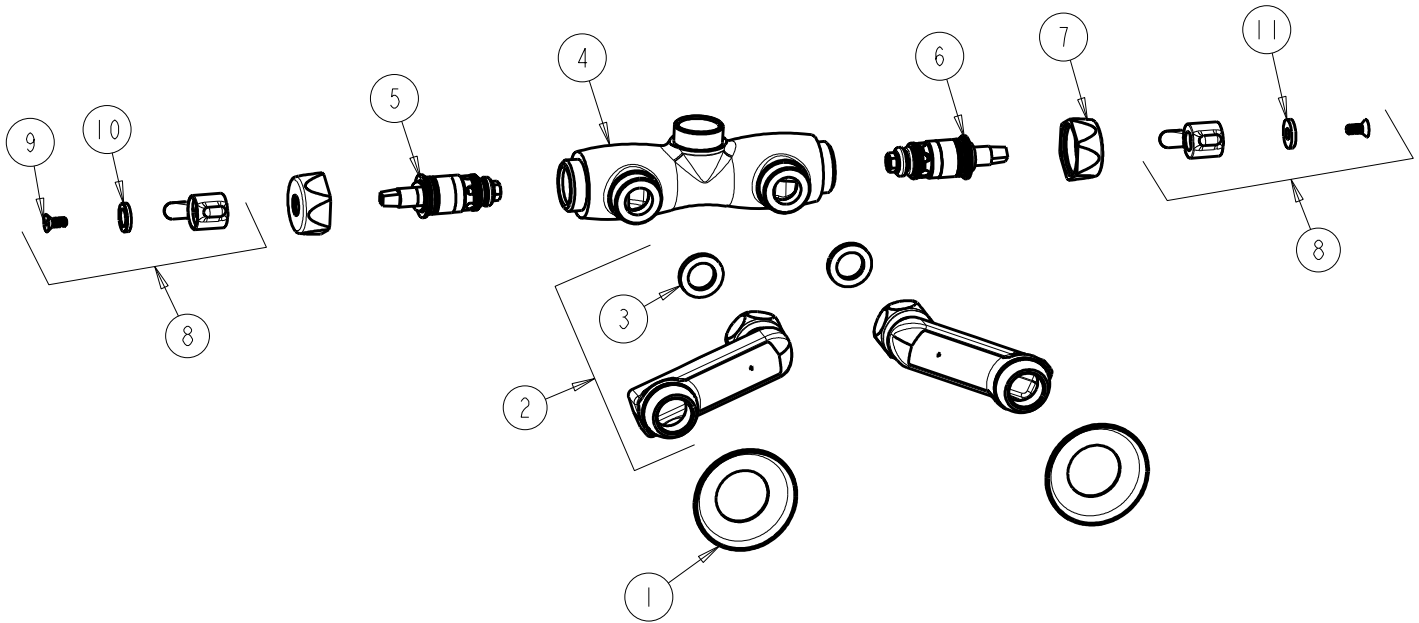
FITTING NO.

445-LESAB

SUBMITTED MODEL NO.

ITEM NO.

**FOR TECHNICAL ASSISTANCE**  
1-800-TEC-TRUE (1-800-832-8783)



ITEM	PART NO.	DESCRIPTION	ITEM	PART NO.	DESCRIPTION
1	1-055JKCP	FLANGE	7	444-005JKCP	CAP
2	HJKABCP	ARM ASSEMBLY w/WASHER	8	369-PRJKCP	HANDLE, 2-3/8" LEVER (PAIR)
3	1-011JKABNF	WASHER, .97 X .62 X .12	9	420-020JKNF	SCREW, 1/8 FLAT HEX HEAD X 1/2
4	-----	VALVE BODY (NOT SOLD SEPARATELY)	10	633-123JKNF	INDEX BUTTON (BLUE)
5	1-099XTJKABNF	QUATURN CARTRIDGE (RH)	11	633-023JKNF	INDEX BUTTON (RED)
6	1-100XTJKABNF	QUATURN CARTRIDGE (LH)			