



a Geberit company

2100 South Clearwater Drive
Des Plaines, IL 60018
Phone: 847-803-5000
Fax: 847-803-5454
www.chicagofaucets.com

REPAIR PARTS

BY: SID DATE: 07-28-15

CHK: *AS* REV:

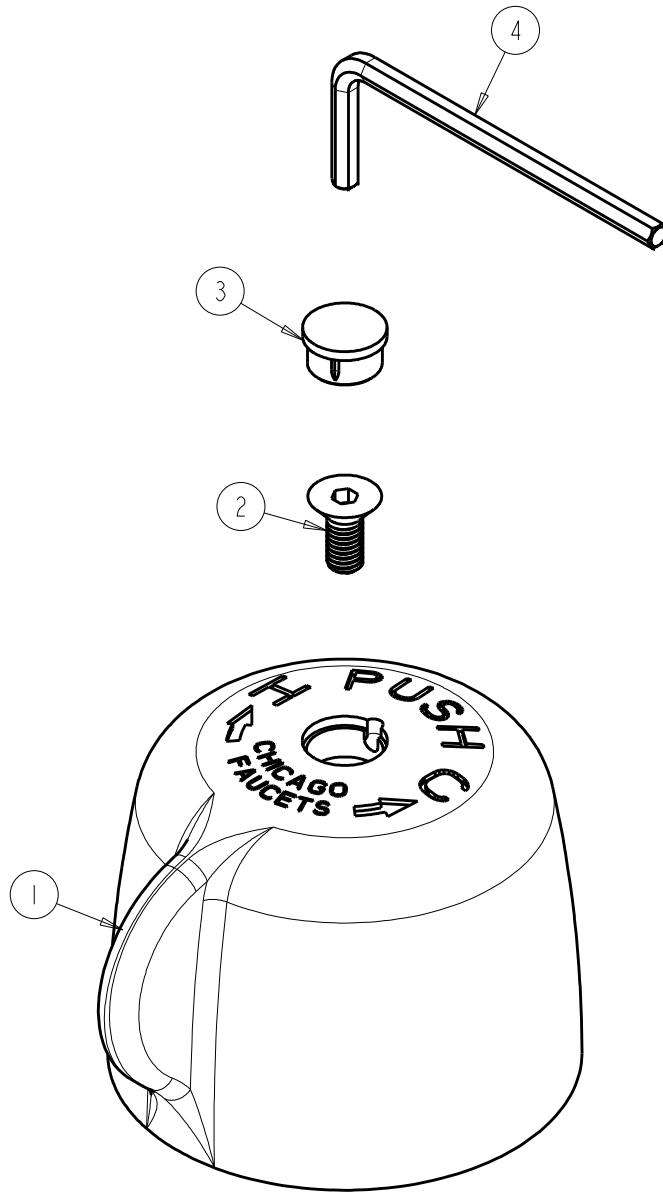
FITTING NO.

3300-402JKCP

SUBMITTED MODEL NO.

ITEM NO.

FOR TECHNICAL ASSISTANCE
1-800-TEC-TRUE (1-800-832-8783)



ITEM	PART NO.	DESCRIPTION
1	-----	HANDLE
2	420-020JKNF	SCREW, 1/8 FLAT HEX HEAD X 1/2
3	2500-005JKCP	HANDLE BUTTON
4	420-022JKNF	WRENCH, 1/8 HEX.