

CHICAGO FAUCETS
a GEBERIT company

2100 South Clearwater Drive
Des Plaines, IL 60018
Phone: 847-803-5000
Fax: 847-803-5454
www.chicagofaucets.com

REPAIR PARTS

FITTING NO.

201-A1000ABCP

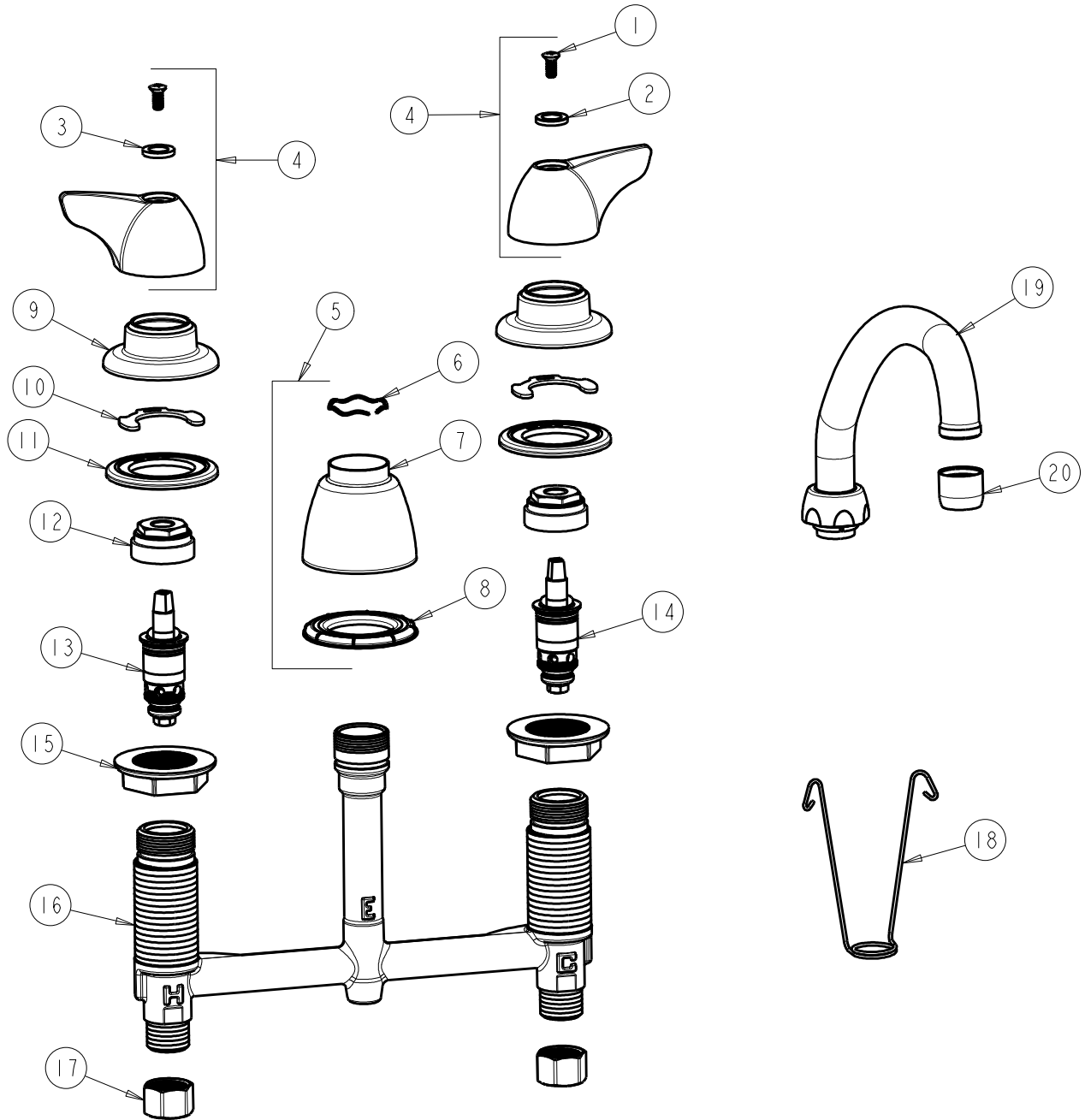
SUBMITTED MODEL NO.

BY: SID DATE: 06-28-11

CHK: REV: 04-16-12

ITEM NO.

FOR TECHNICAL ASSISTANCE
1-800-TEC-TRUE (1-800-832-8783)



ITEM	PART NO.	DESCRIPTION	ITEM	PART NO.	DESCRIPTION
1	420-010JKRCF	SCREW, 10-32 UNC PH 1/2	11	888-026JKNF	WASHER, SEALING
2	633-123JKNF	INDEX BUTTON (BLUE)	12	400-004JKRBF	NUT, CAP
3	633-023JKNF	INDEX BUTTON (RED)	13	1-100XTJKABNF	QUATURN CARTRIDGE (LH)
4	1000-PRJKCP	WING HANDLE ASSEMBLY (PAIR)	14	1-099XTJKABNF	QUATURN CARTRIDGE (RH)
5	785-400JKCP	SPOUT ESCUTCHEON KIT	15	250-004JKNF	LOCKNUT
6	50-038JKNF	WAVE WASHER	16	—	BODY, VALVE
7	785-400JKCP	ESCUTCHEON, SPOUT BASE	17	49-005JKRBF	COUPLING NUT
8	888-027JKNF	SPOUT ESCUTCHEON WASHER	18	200-008JKNF	HANGER
9	250-083JKCP	ESCUTCHEON	19	L9LESSE3JKCP	SPOUT
10	200-009JKNF	CLIP, RETAIN	20	E3JKCP	SOFTFLO AERATOR 2.2 GPM