

# Repair Parts

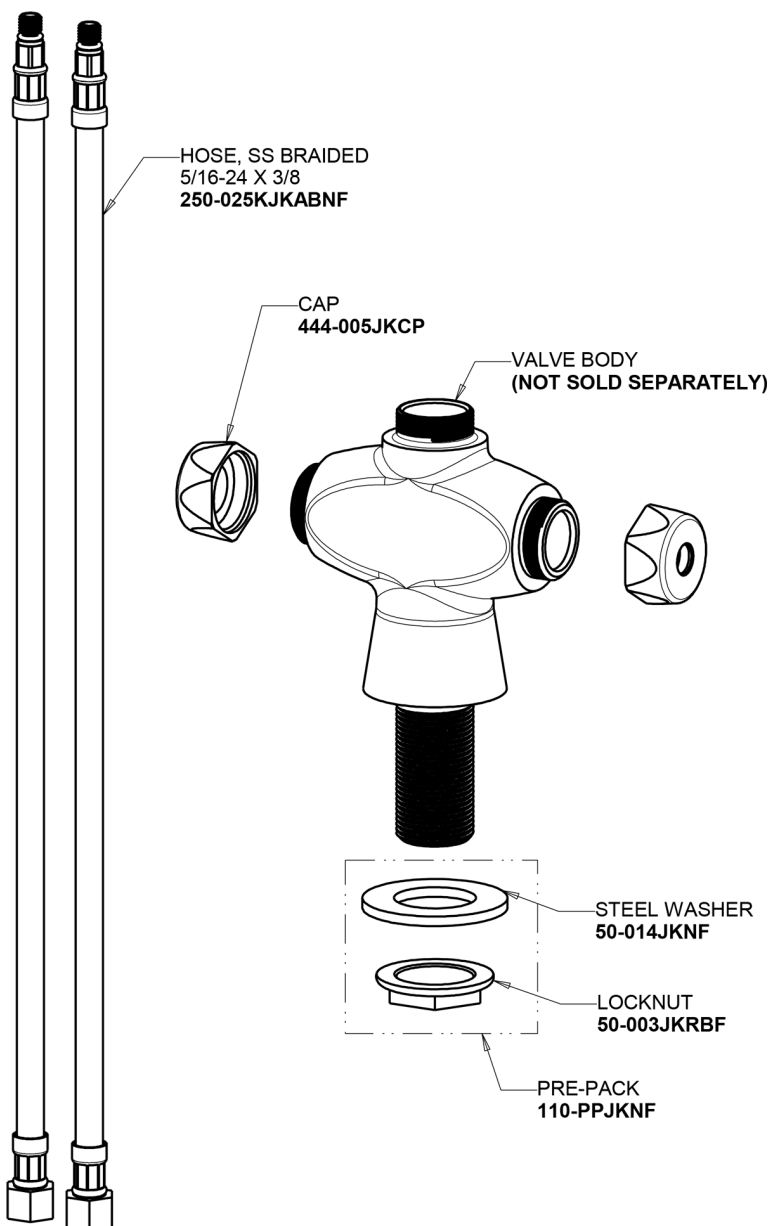
929-LESH

Deck-mounted manual laboratory faucet, single-hole, dual-supply

# CHICAGO FAUCETS®

Geberit Group

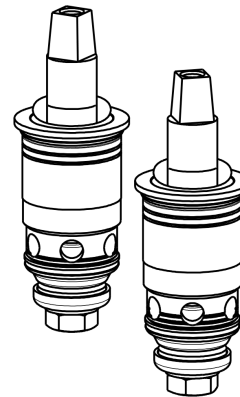
## Base Parts:



Quatern Compression Cartridge (pair)

1-099XTJKABNF (right)

1-100XTJKABNF (left)



## For Technical Assistance:

Phone: 800-TEC-TRUE (832-8783)

Email: [techsupport.us@chicagofaucets.com](mailto:techsupport.us@chicagofaucets.com)

2100 South Clearwater Drive

Des Plaines, IL 60018

Phone: 847-803-5000

[chicagofaucets.com](http://chicagofaucets.com)