

# Repair Parts

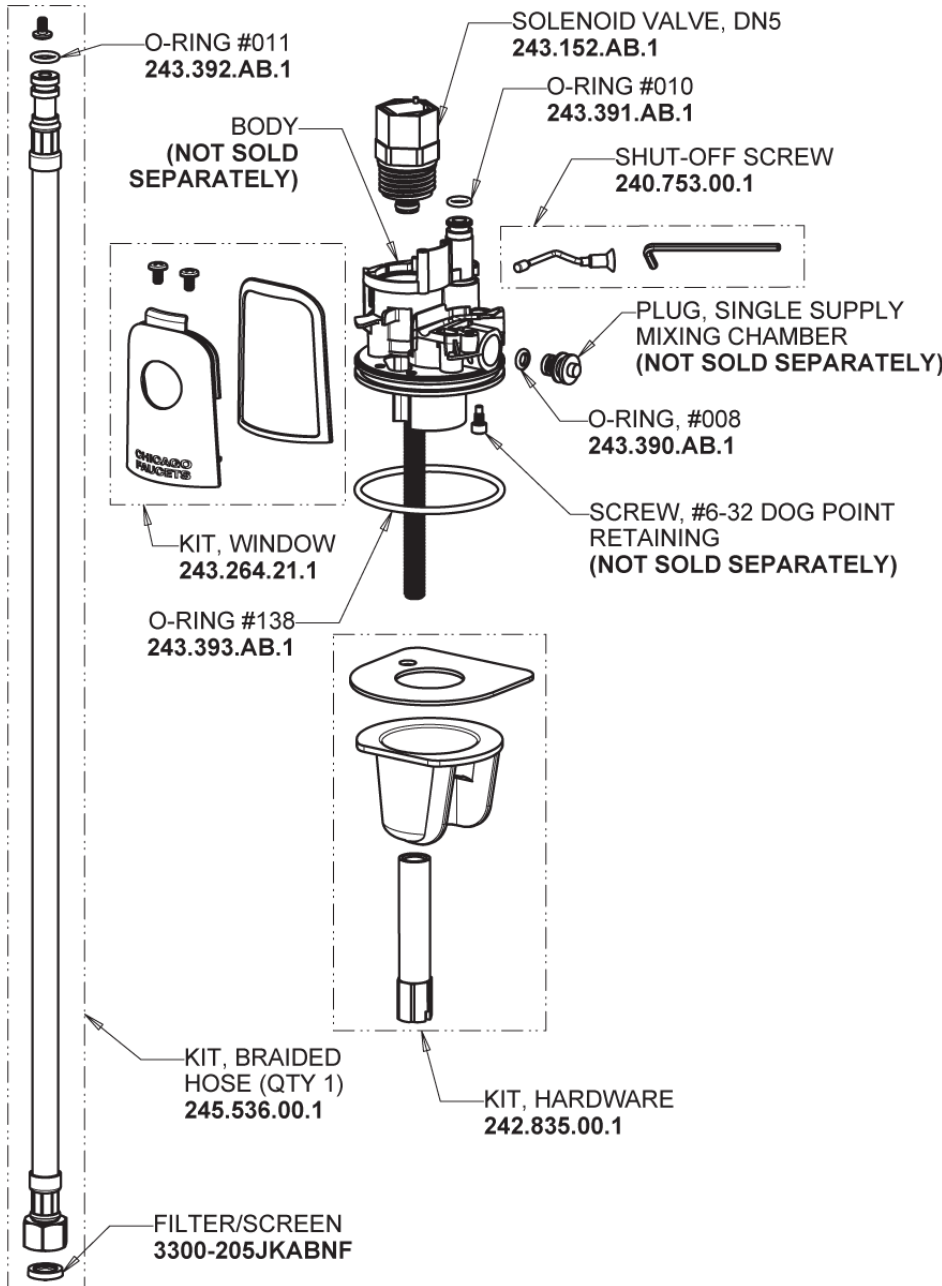
116.950.AB.1

Touch-free, programmable faucet with above-deck electronics

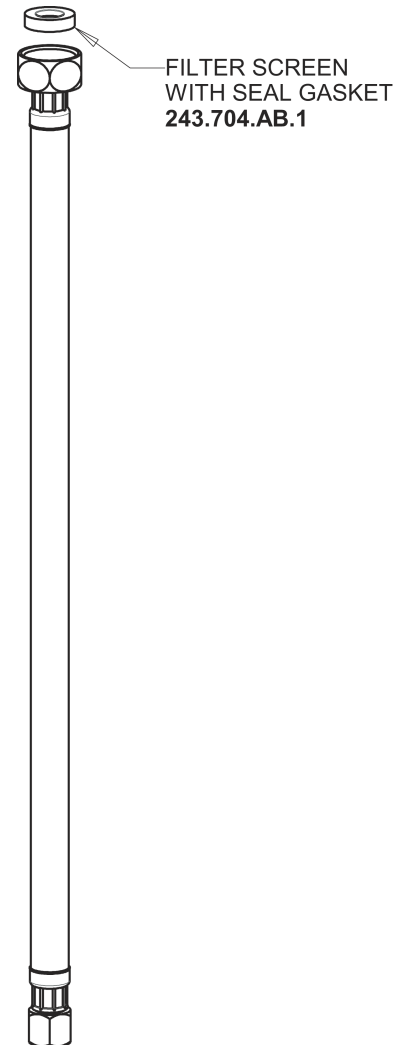
# CHICAGO FAUCETS®

Geberit Group

## Base Parts:



Hose, 1/2" IPS x 3/8" COM x 24" L  
243.705.AB.1



## For Technical Assistance:

Phone: 800-TEC-TRUE (832-8783)

Email: [techsupport.us@chicagofaucets.com](mailto:techsupport.us@chicagofaucets.com)

2100 South Clearwater Drive

Des Plaines, IL 60018

Phone: 847-803-5000

[chicagofaucets.com](http://chicagofaucets.com)

# Repair Parts

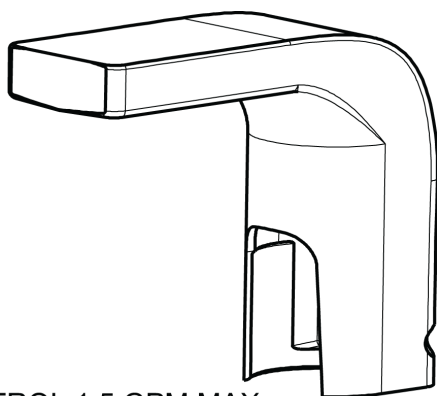
116.950.AB.1

Touch-free, programmable faucet with above-deck electronics

# CHICAGO FAUCETS®

Geberit Group

HyTronic Edge Spout  
242.756.AB.1

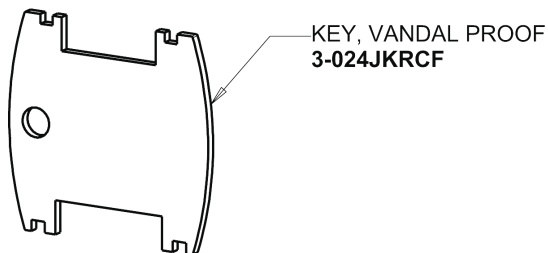


FLOW CONTROL 1.5 GPM MAX  
1020-006JKABNF

CHECK-CARTRIDGE  
550-009KJKABNF

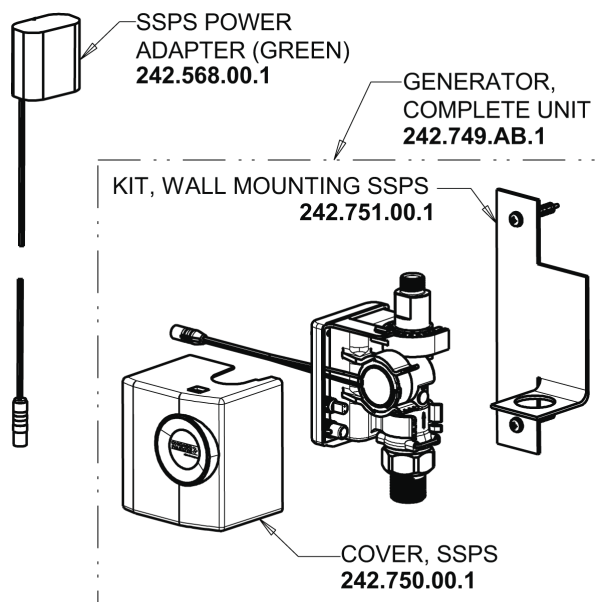
O-RING, #010  
243.391.AB.1

Vandal Proof Non-Aerating Laminar Stream Solidifier Outlet  
242.757.AB.1

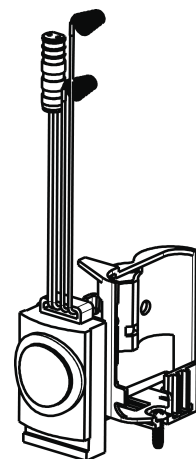


KEY, VANDAL PROOF  
3-024JKRCF

Self Sustaining Power System  
SSPS



Electronic Module  
242.574.00.1



## For Technical Assistance:

Phone: 800-TEC-TRUE (832-8783)

Email: techsupport.us@chicagofaucets.com

2100 South Clearwater Drive

Des Plaines, IL 60018

Phone: 847-803-5000

chicagofaucets.com